



US00D558912S

(12) **United States Design Patent**
Crosby

(10) **Patent No.:** **US D558,912 S**
(45) **Date of Patent:** **** Jan. 1, 2008**

(54) **LIGHTING FIXTURE**

- (75) Inventor: **Doyle Crosby**, San Rafael, CA (US)
- (73) Assignee: **Boyd Lighting Fixture Company**, San Francisco, CA (US)
- (**) Term: **14 Years**
- (21) Appl. No.: **29/261,149**
- (22) Filed: **Jun. 8, 2006**
- (51) **LOC (8) Cl.** **26-03**
- (52) **U.S. Cl.** **D26/88; D26/91**
- (58) **Field of Classification Search** D26/72,
D26/84, 85, 86, 88, 90, 91; 362/147, 404-408,
362/432
See application file for complete search history.

(56) **References Cited**

U.S. PATENT DOCUMENTS

D45,313 S	*	2/1914	Schoenhardt	D26/88
D90,938 S	*	10/1933	Beck	D26/88
D155,680 S	*	10/1949	Baker	D26/86
D403,799 S	*	1/1999	Dolan	D26/90
D422,737 S	*	4/2000	Orozco	D26/85
D430,331 S	*	8/2000	Bleisch	D26/91
D431,311 S	*	9/2000	Dolan	D26/84
D437,446 S	*	2/2001	Reo et al.	D26/91
D459,525 S	*	6/2002	Barry	D26/88

OTHER PUBLICATIONS

Fisher Island 3-Light pendant #F1852 from Forecast Lighting. Found online at lbclighting.com Sep. 20, 2007.*
 Agostina 1-light Italian pendant # 12439-010 from Eurofase. Found online at lbclighting.com Sep. 20, 2007.*
 "Parasol Pendant," designed by Laura Kirar, available from Boyd Lighting, 2-pages, 2004.

* cited by examiner

Primary Examiner—Clare E Heflin
 (74) *Attorney, Agent, or Firm*—Heslin Rothenberg Farley & Mesiti P.C.

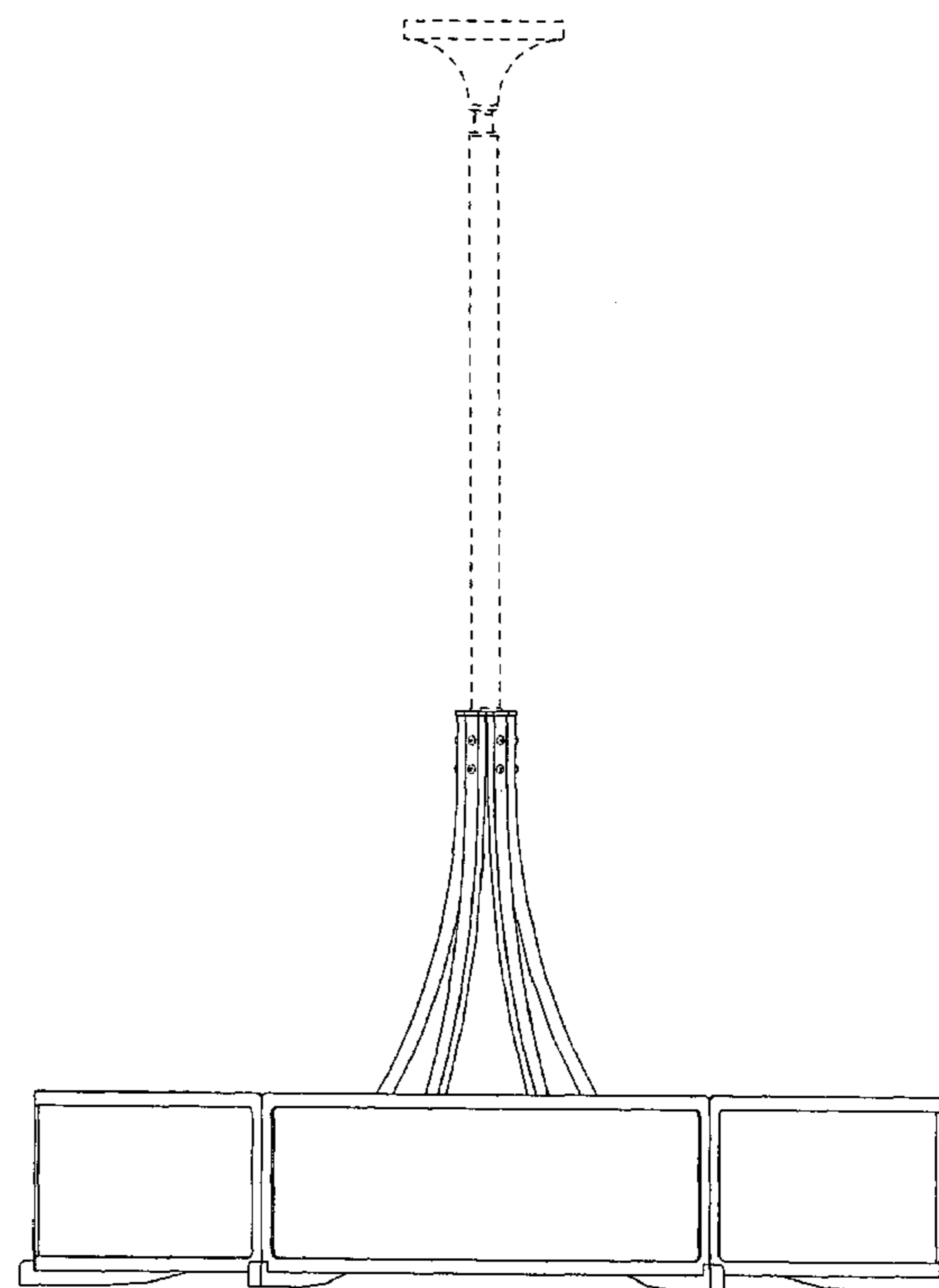
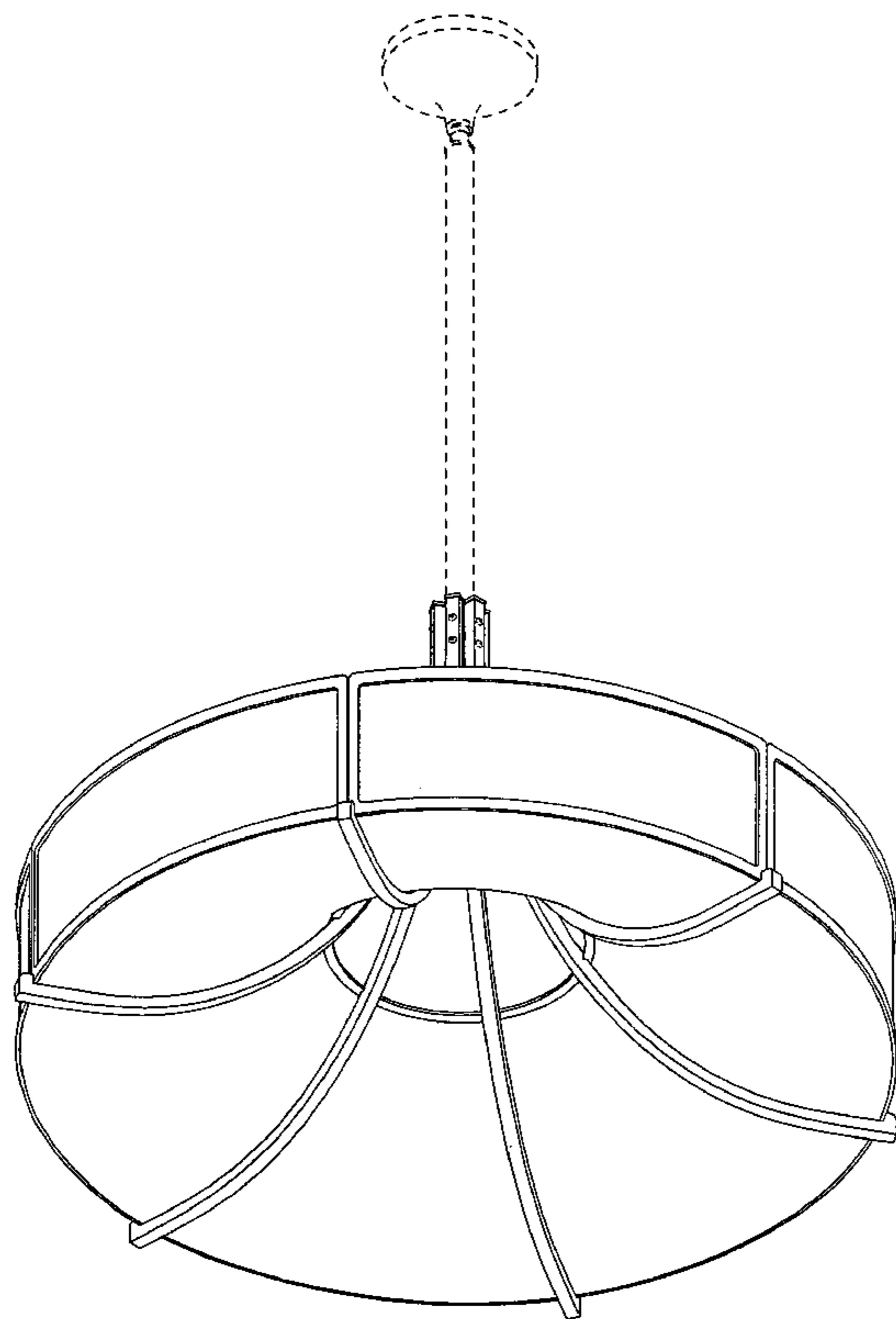
(57) **CLAIM**

The ornamental design for a lighting fixture, as shown and described.

DESCRIPTION

FIG. 1 is a perspective view of a lighting fixture in accordance with the new design;
 FIG. 2 is a front elevational view thereof, a rear elevational view being a mirror image thereof;
 FIG. 3 is a left side elevational view thereof, a right side elevational view being a mirror image thereof; and,
 FIG. 4 is a bottom view thereof.
 The broken lines in the figures are for illustration purposes only and form no part of the claimed invention.

1 Claim, 4 Drawing Sheets



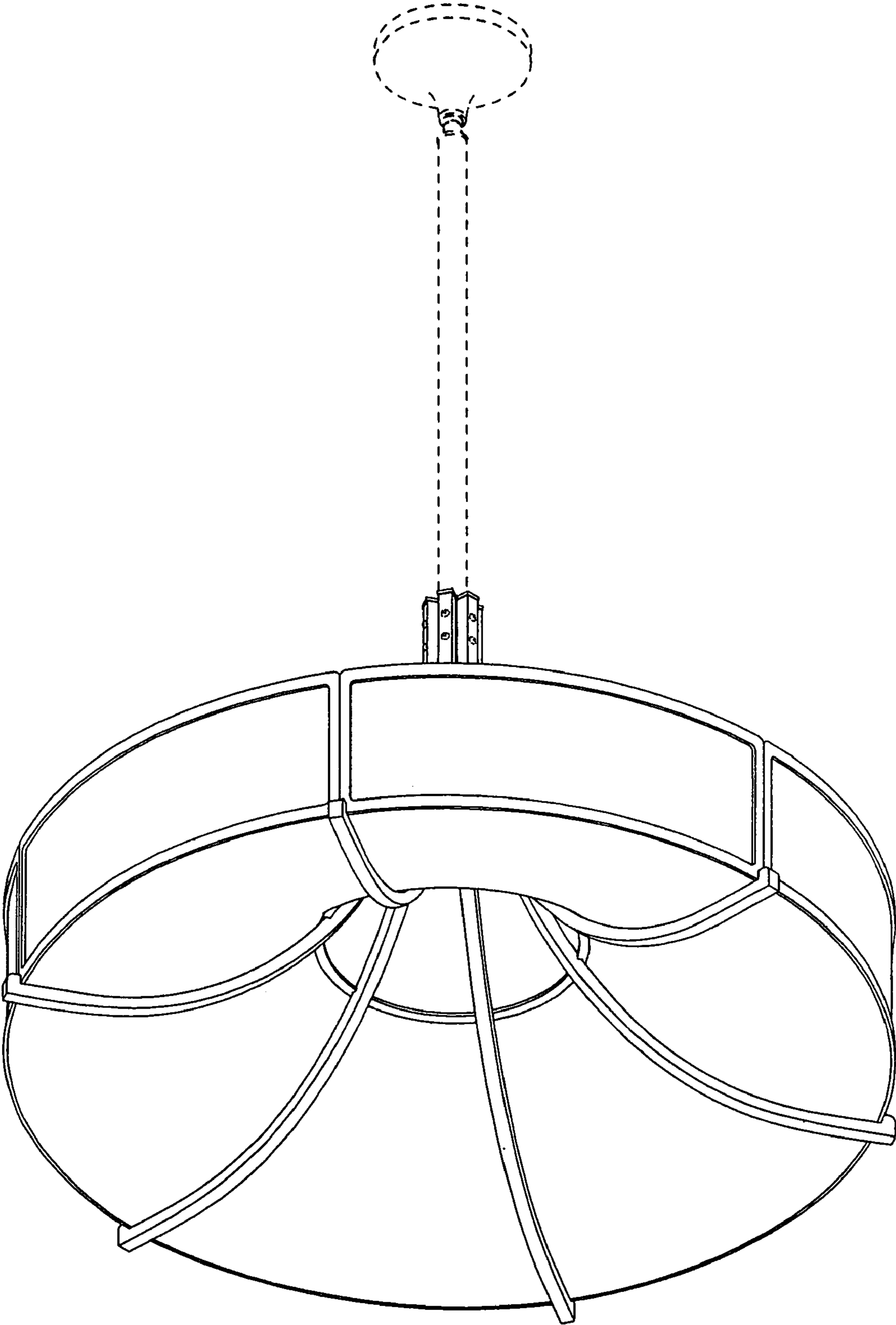


FIG. 1

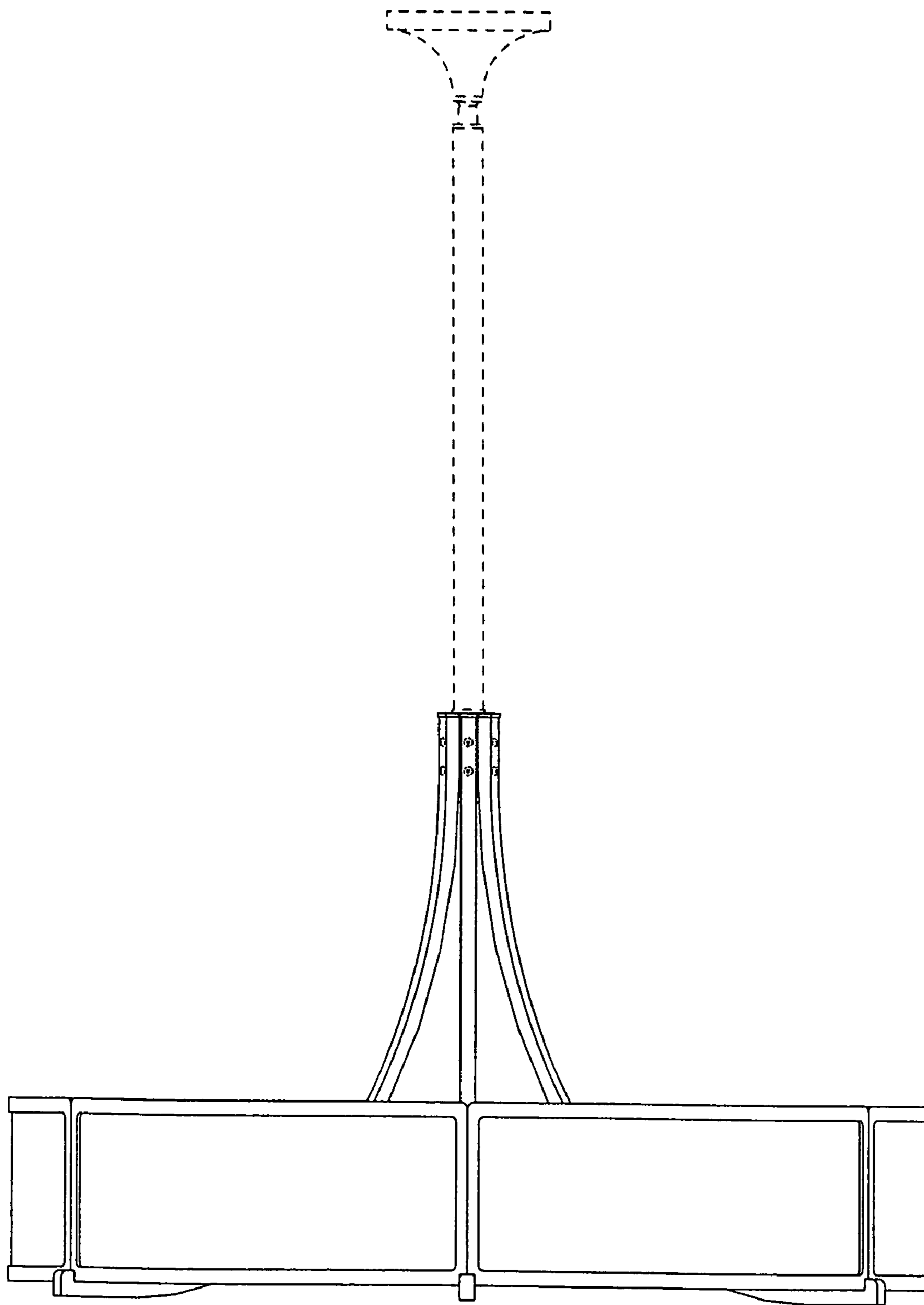


FIG. 2

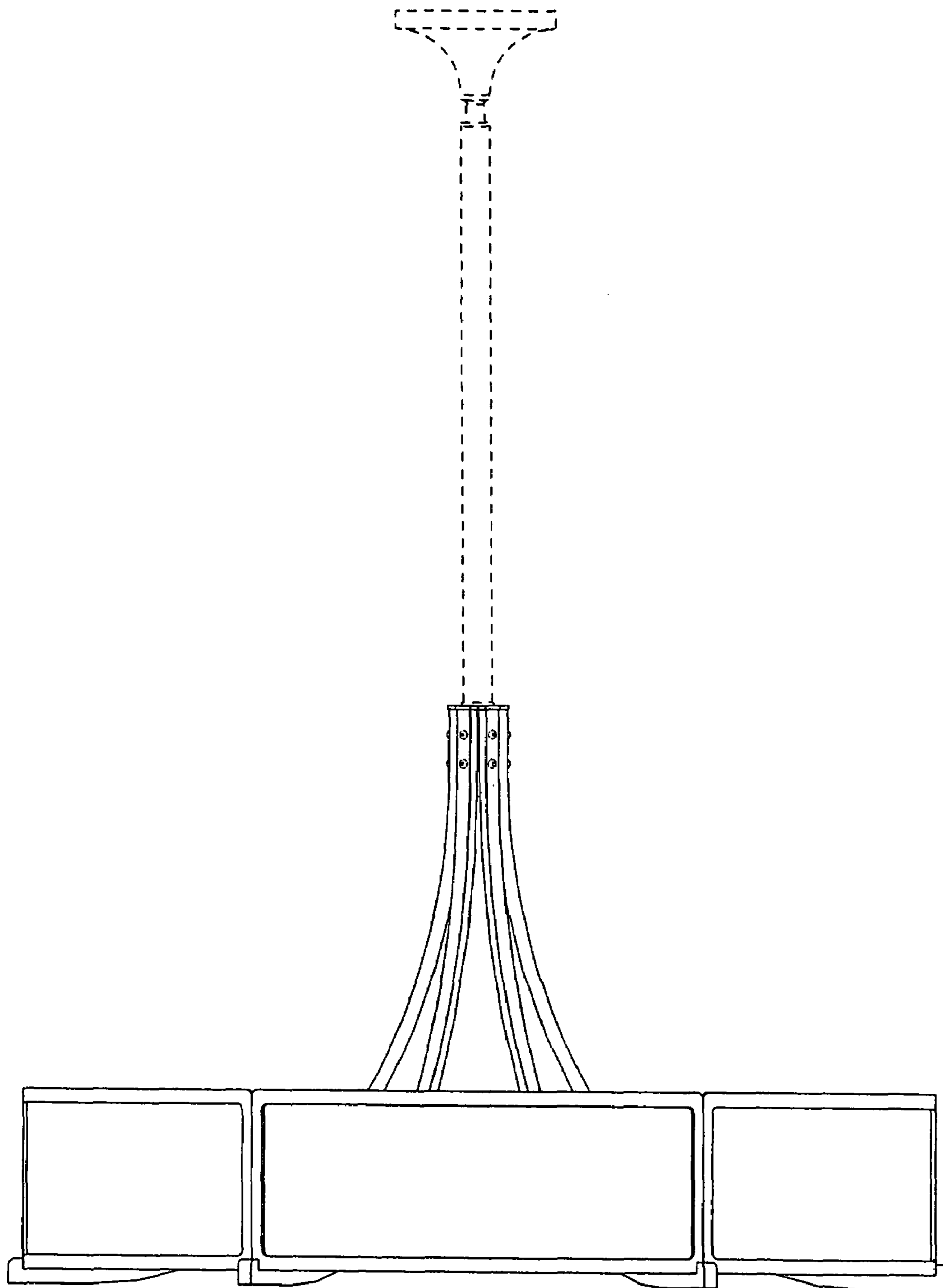


FIG. 3

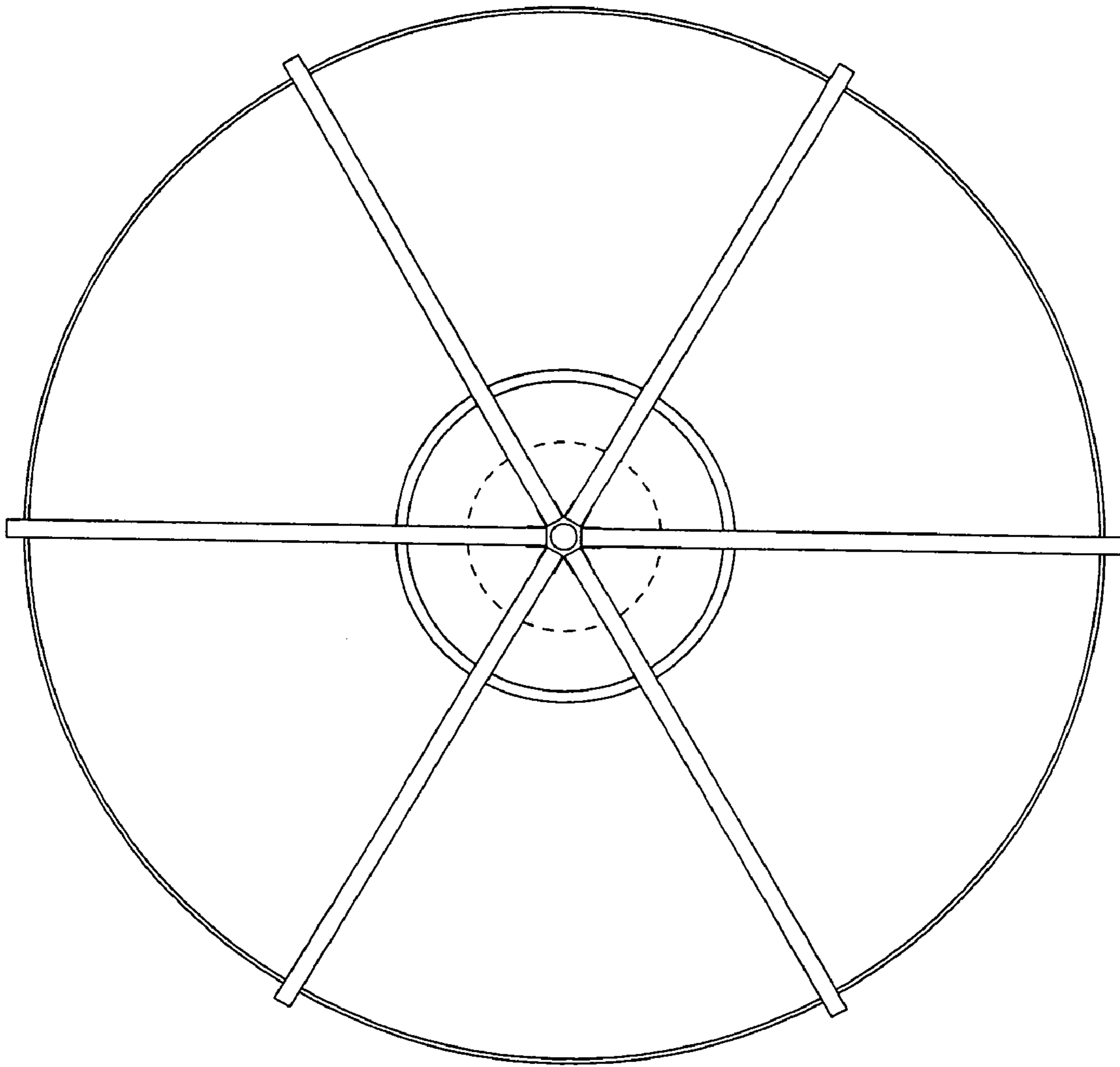


FIG. 4