



US00D558911S

(12) **United States Design Patent**
Bickler et al.

(10) **Patent No.:** **US D558,911 S**
(45) **Date of Patent:** **** Jan. 1, 2008**

(54) **SINGLE LIGHT**

(75) Inventors: **Marc Bickler**, Charlotte, NC (US);
Victor Hoernig, Lowell, IN (US);
Geraint Krumpe, Chicago, IL (US)

(73) Assignee: **Brasstech, Inc.**, Santa Ana, CA (US)

(**) Term: **14 Years**

(21) Appl. No.: **29/279,559**

(22) Filed: **May 3, 2007**

(51) **LOC (8) Cl.** **26-03**

(52) **U.S. Cl.** **D26/87**

(58) **Field of Classification Search** D26/72,
D26/85, 87, 92; 362/147, 132, 404-406,
362/432

See application file for complete search history.

(56) **References Cited**

U.S. PATENT DOCUMENTS

D384,764 S	*	10/1997	Littman	D26/87
D419,713 S	*	1/2000	Diaz-Azcuy	D26/87
D473,002 S	*	4/2003	Hoernig	D26/87
D473,967 S	*	4/2003	Hoernig	D26/82
D487,815 S	*	3/2004	Hoernig	D26/87

OTHER PUBLICATIONS

“Westminster Collection” wall brackets on p. 162 of the Murray Feiss 2004 Big Book catalog.*

“Adano” wall brackets on p. 262 of the 2004 QUOIZEL Catalog.*
Wall brackets on p. 115 of the World Imports Catalog No. 26 (c)2004.*

* cited by examiner

Primary Examiner—Clare E Heflin

(74) *Attorney, Agent, or Firm*—Edgar A. Zarins; Lloyd D. Doigan

(57) **CLAIM**

The ornamental design for a single light, as shown and described.

DESCRIPTION

FIG. 1 is a front perspective view of a single light showing our design;

FIG. 2 is a top plan view thereof;

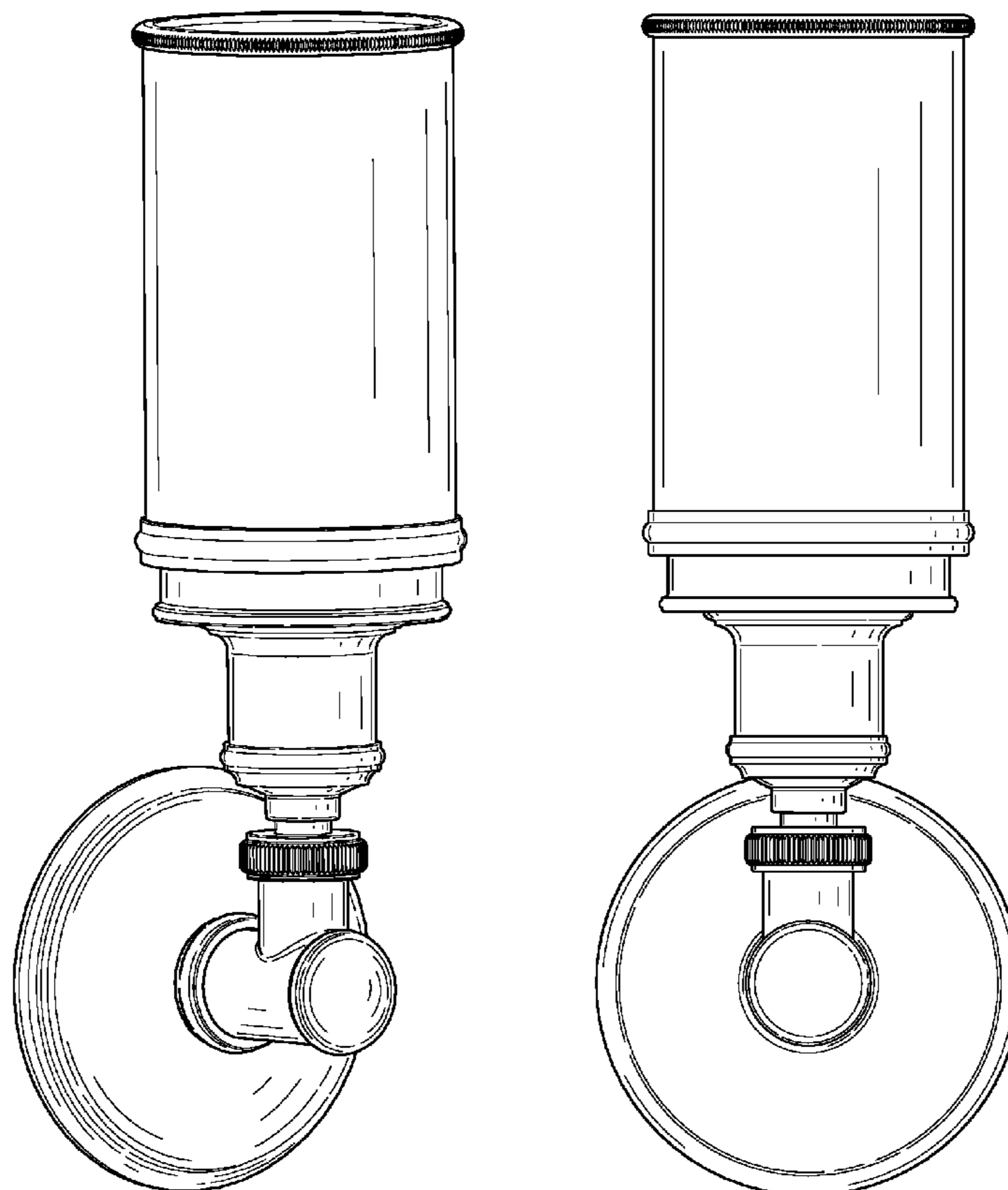
FIG. 3 is a bottom plan view thereof;

FIG. 4 is a right side elevational view thereof;

FIG. 5 is a left side elevational view thereof; and,

FIG. 6 is a front elevational view thereof.

1 Claim, 6 Drawing Sheets



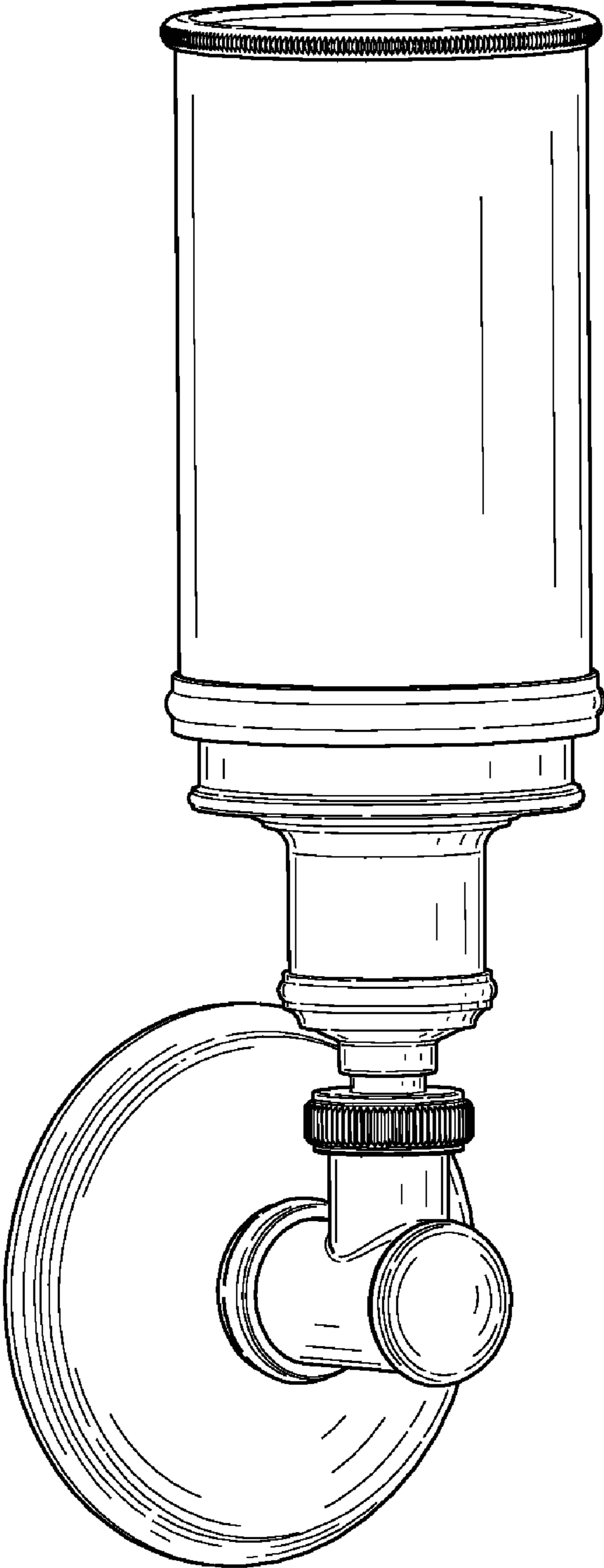


FIG. 1

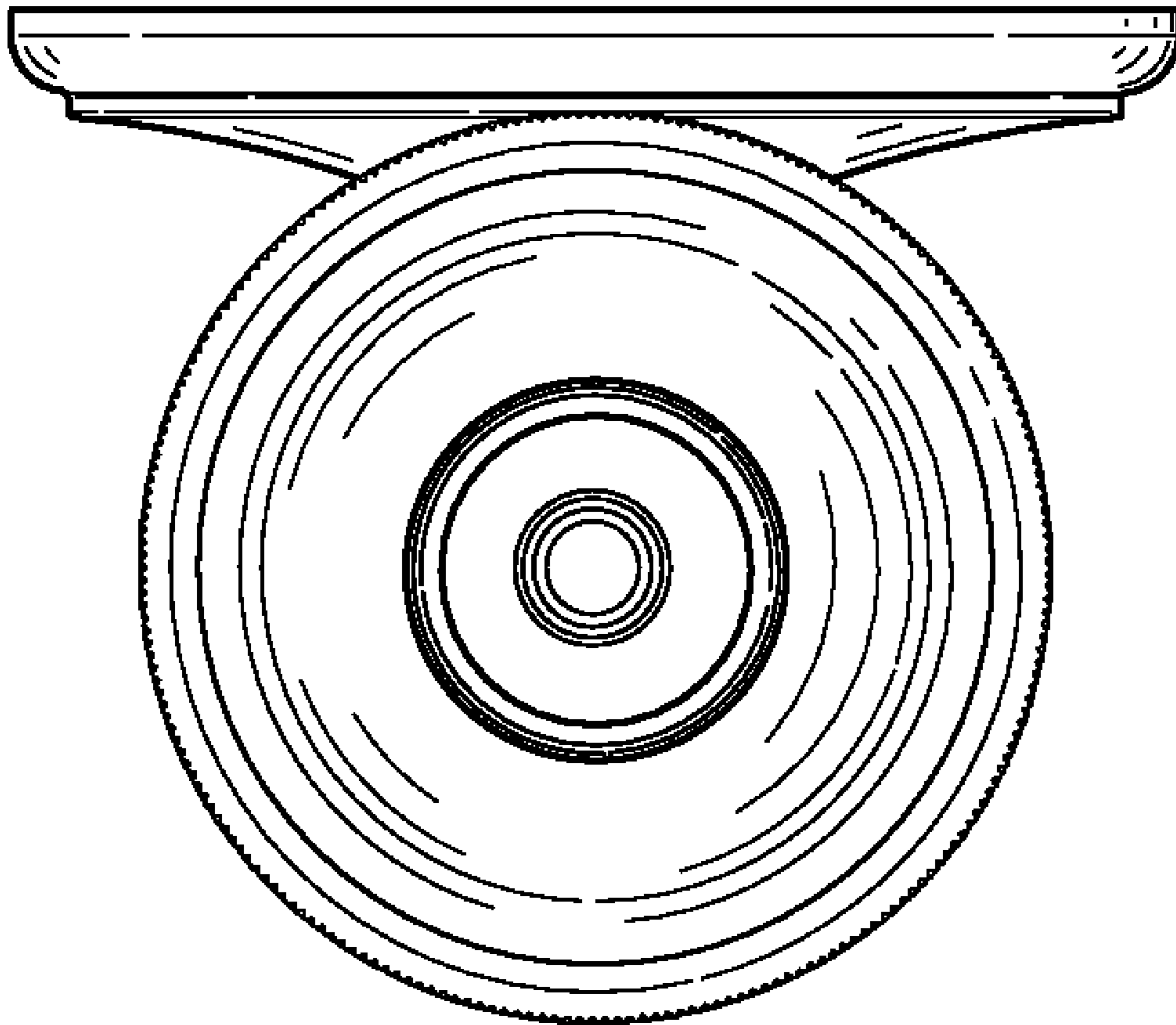


FIG. 2

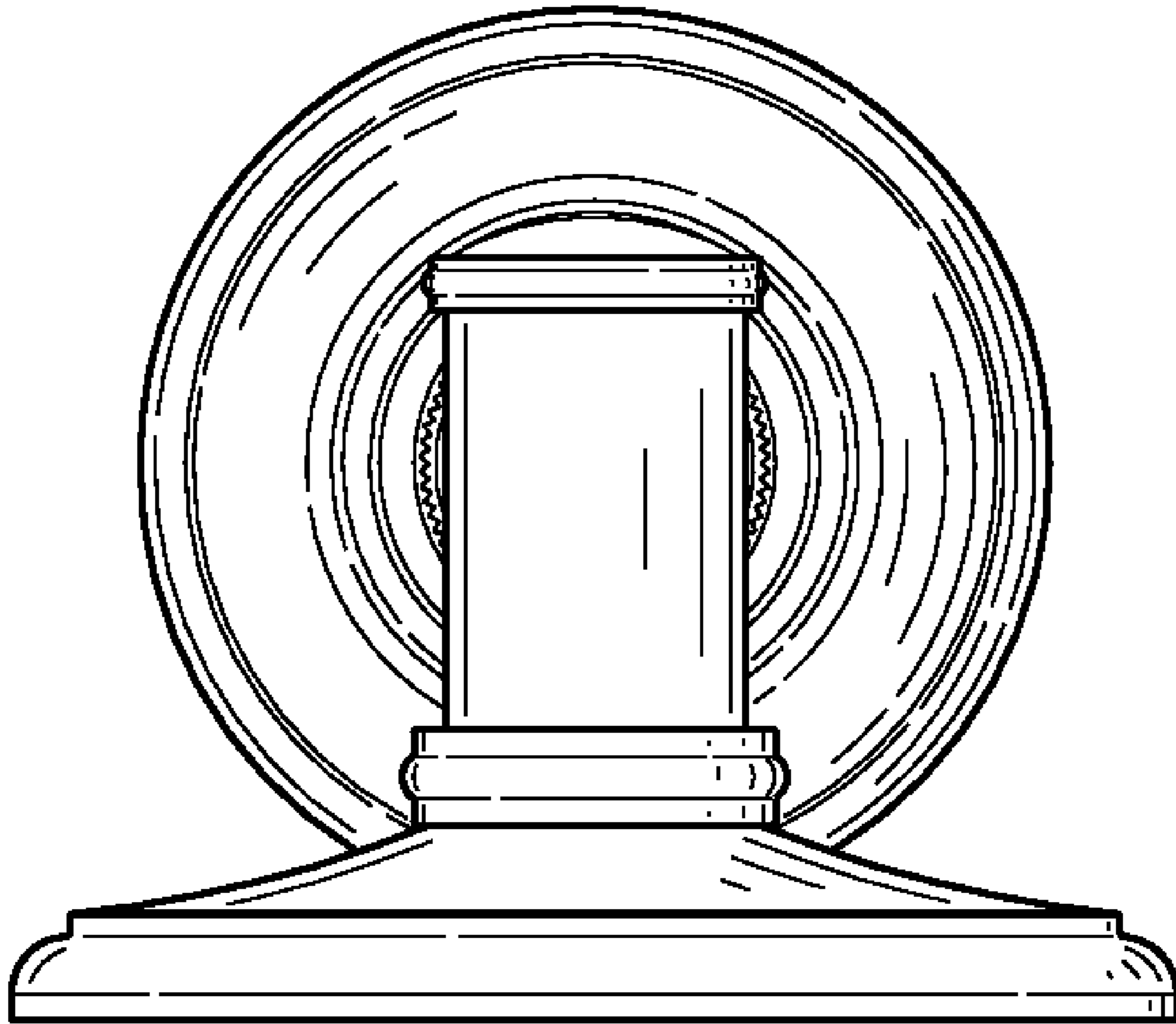


FIG. 3

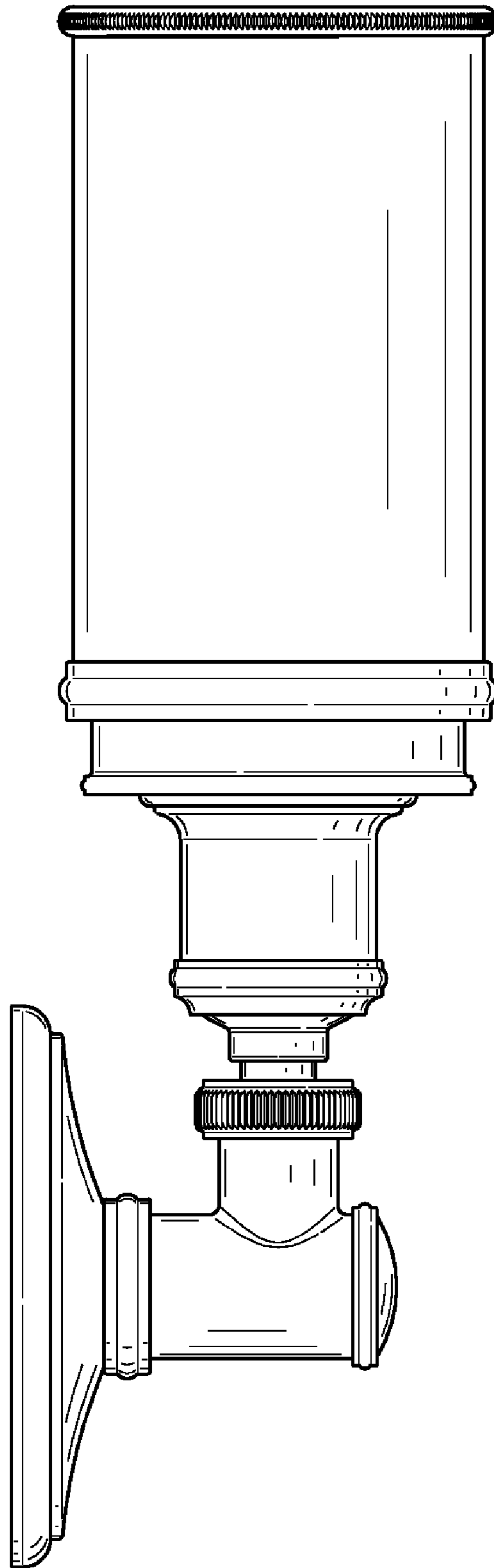


FIG. 4

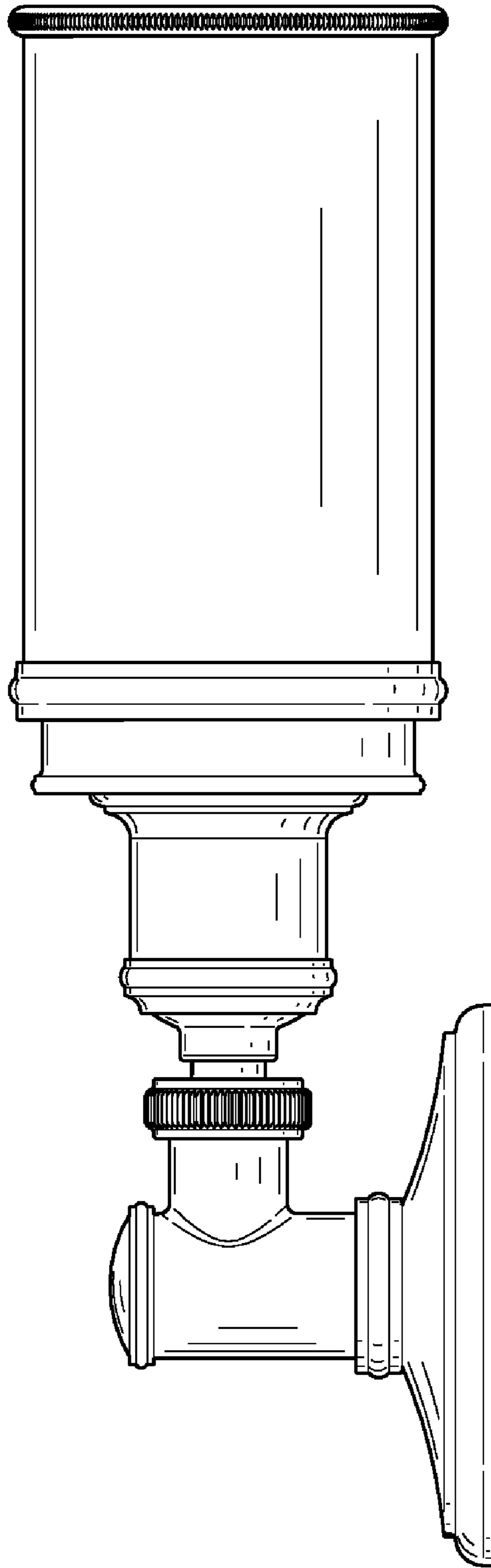


FIG. 5

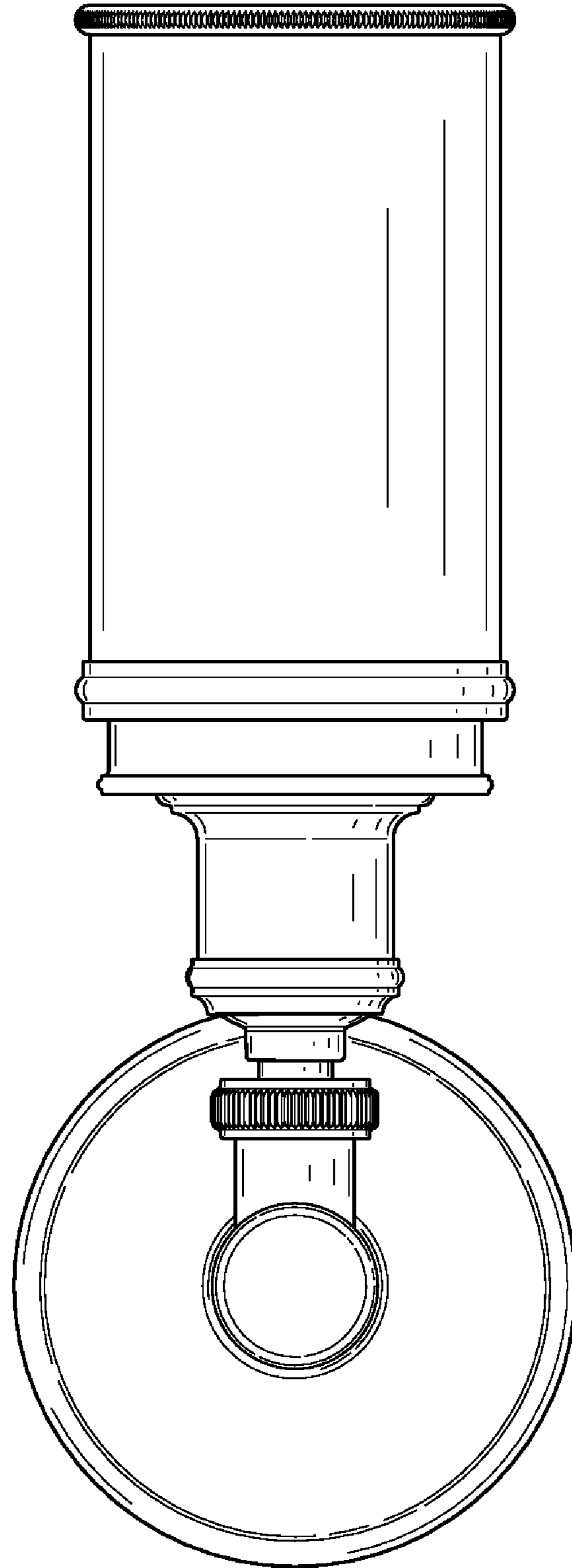


FIG. 6