



US00D558909S

(12) **United States Design Patent**  
**Ertze Encinas et al.**

(10) **Patent No.:** **US D558,909 S**  
(45) **Date of Patent:** **\*\* Jan. 1, 2008**

(54) **OUTDOOR LUMINAIRE**

2005/0068765 A1\* 3/2005 Ertze Encinas et al. .... 362/183

(75) Inventors: **Juan Antonio Ertze Encinas**, Mexico City (MX); **Jon Andoni Ertze Moguel**, Mexico City (MX)

FOREIGN PATENT DOCUMENTS

WO	DM048511	*	4/1999
WO	DM052405	*	6/2000
WO	DM059366	*	3/2002
WO	DM064383	*	8/2003

(73) Assignee: **Lightcom Energy Technologies (MX)**

(\*\*) Term: **14 Years**

\* cited by examiner

(21) Appl. No.: **29/190,867**

*Primary Examiner*—Clare E Heflin

(74) *Attorney, Agent, or Firm*—Baker & McKenzie LLP

(22) Filed: **Sep. 27, 2003**

(57) **CLAIM**

(51) **LOC (8) Cl.** ..... **26-05**

The ornamental design for an outdoor luminaire, as shown and described.

(52) **U.S. Cl.** ..... **D26/71**

(58) **Field of Classification Search** ..... D26/67-71,  
D26/113; D13/102; 362/183, 153, 285,  
362/287, 288, 362, 363, 431, 427; 126/589,  
126/704; 136/251

**DESCRIPTION**

See application file for complete search history.

FIG. 1. is a front view of the outdoor luminaire illustrating the new design;

FIG. 2. is a top view thereof;

FIG. 3. is a bottom view thereof;

FIG. 4. is a left side view thereof; and,

FIG. 5. is a right side view thereof.

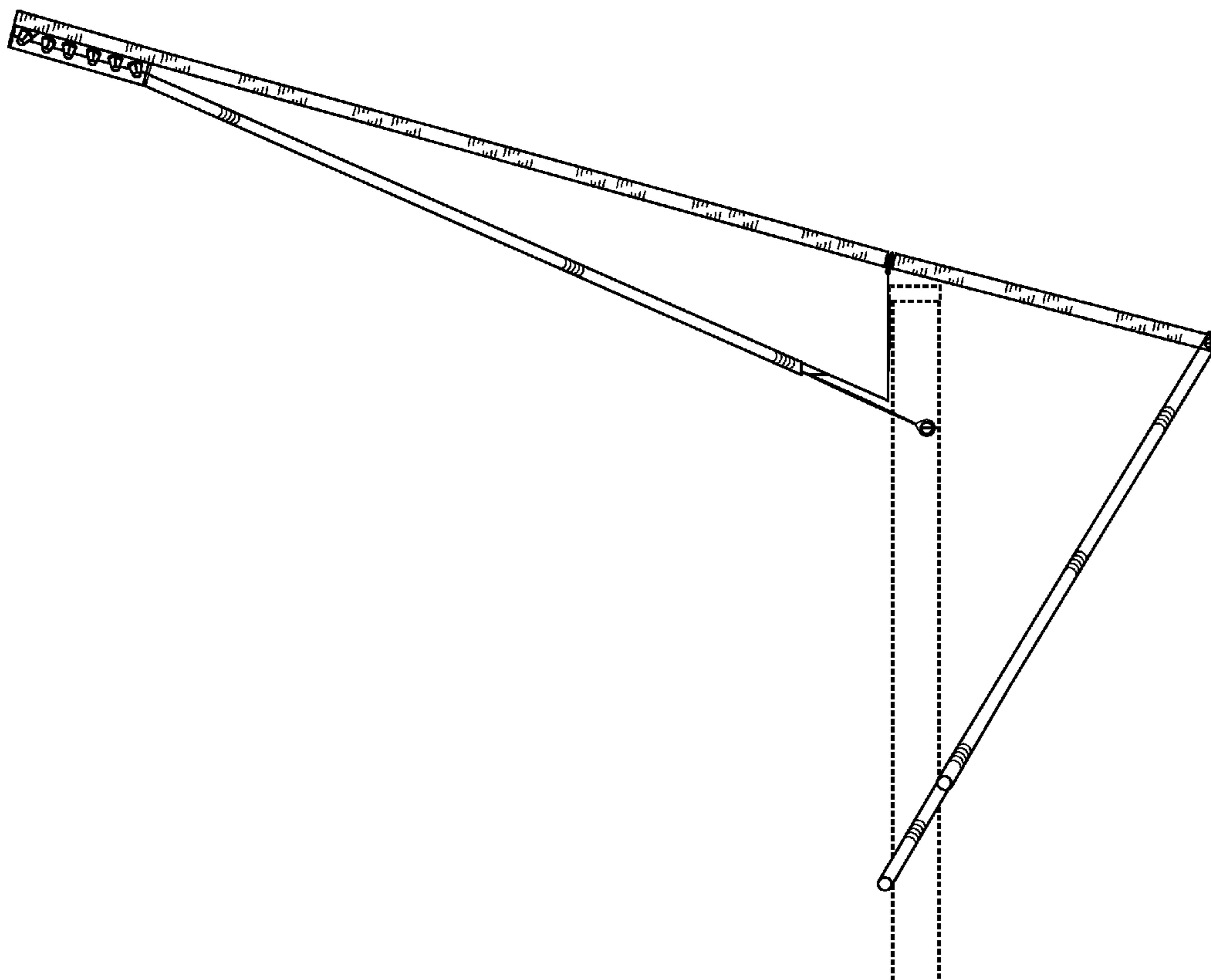
The broken lines shown on the drawings are for illustrative purposes only and form no part of the claimed design.

(56) **References Cited**

U.S. PATENT DOCUMENTS

D136,518 S	*	10/1943	Hofstetter	.....	D26/78
D194,063 S	*	11/1962	Whitley et al.	.....	D26/76
D195,310 S	*	5/1963	Zagel	.....	D26/70
3,183,346 A	*	5/1965	Rodmaker et al.	.....	362/218
D223,400 S	*	4/1972	Selden	.....	D25/127
4,281,369 A	*	7/1981	Batte	.....	362/183

**1 Claim, 3 Drawing Sheets**



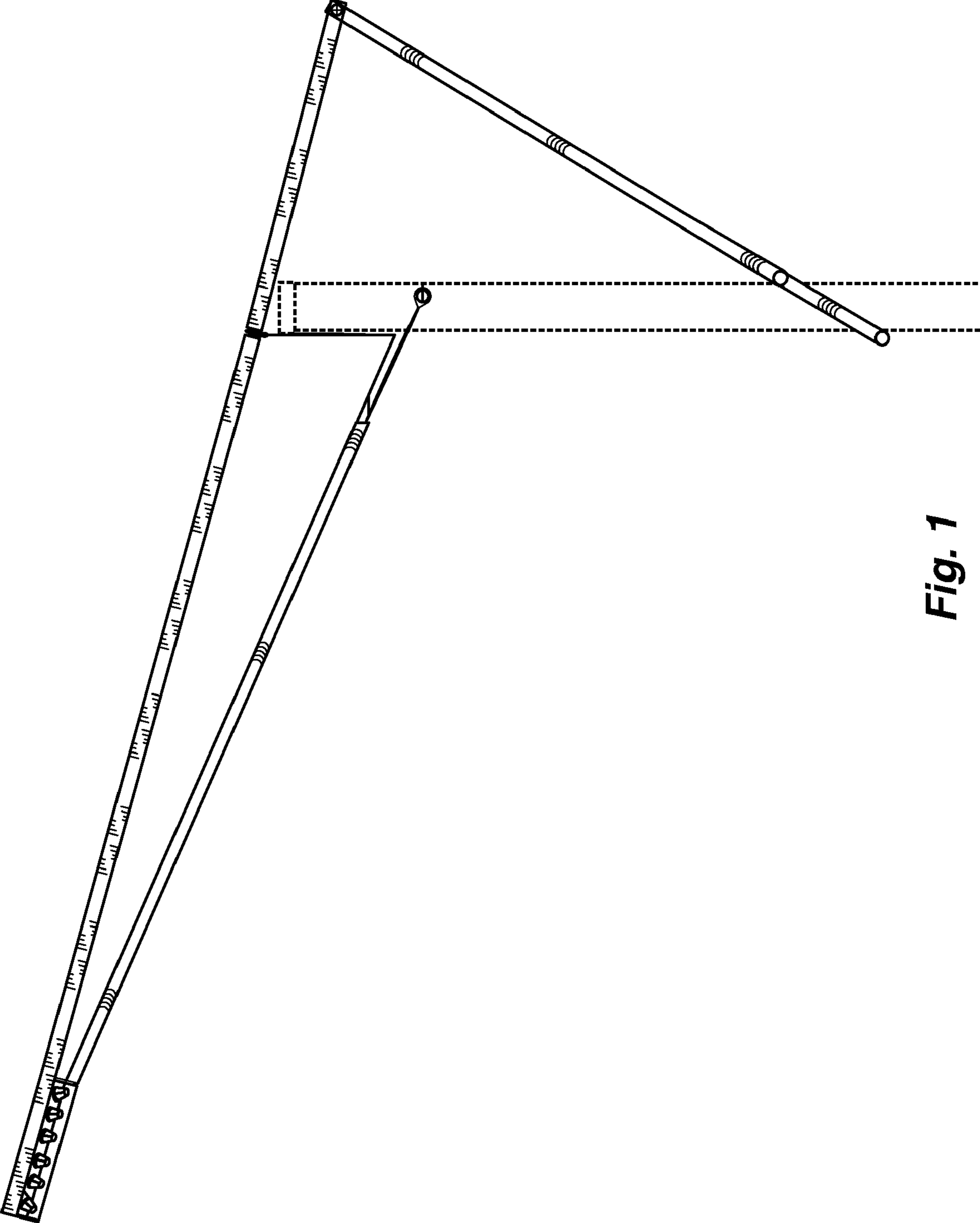


Fig. 1

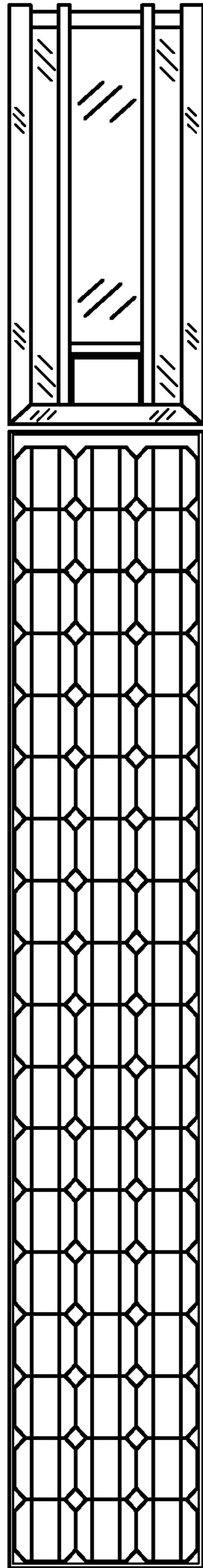


Fig. 2

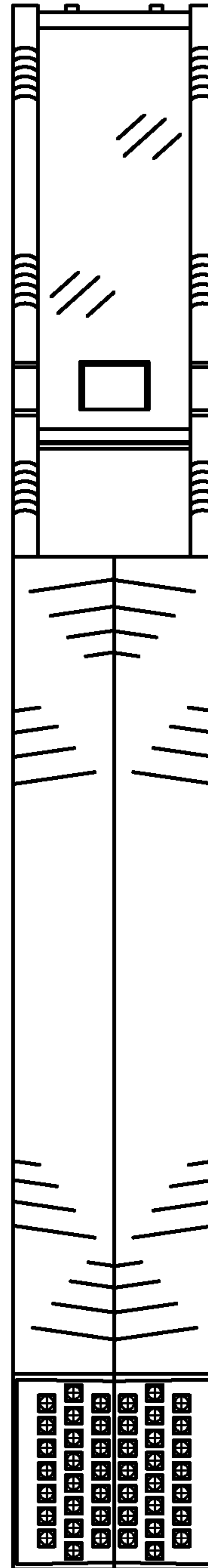
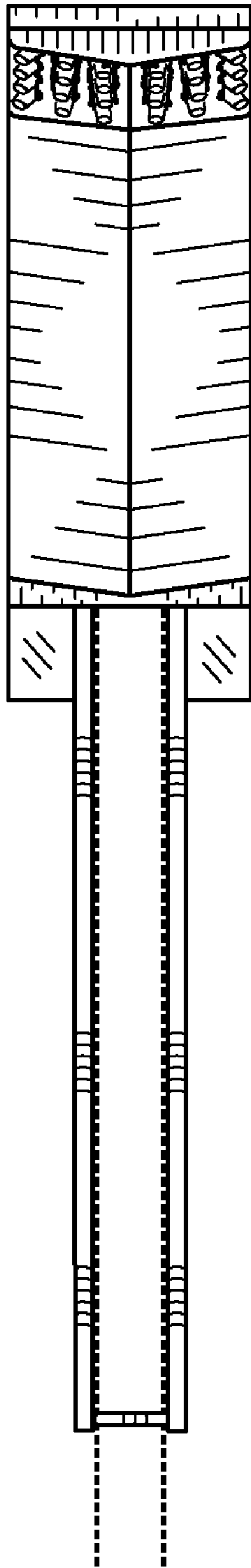
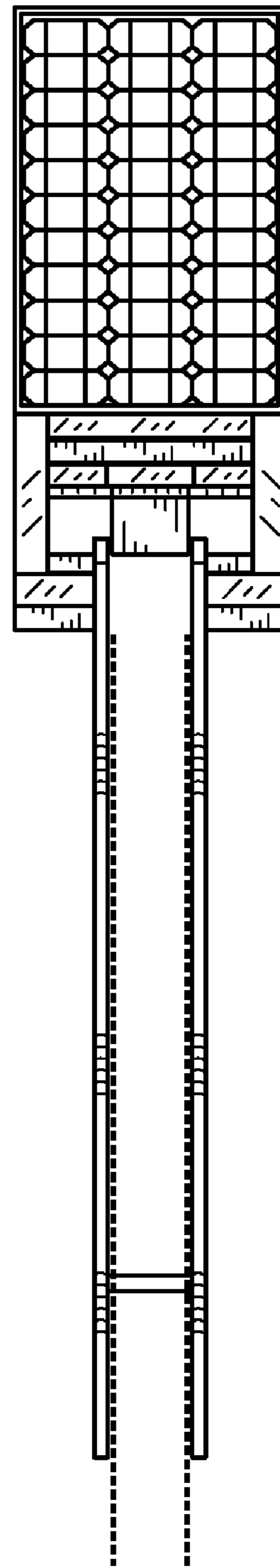


Fig. 3



**Fig. 4**



**Fig. 5**