



US00D558908S

(12) **United States Design Patent**
Waedeled

(10) **Patent No.:** **US D558,908 S**
(45) **Date of Patent:** **** Jan. 1, 2008**

- (54) **LAMP**
- (75) Inventor: **Peter Waedeled**, Shunde (CN)
- (73) Assignee: **Centritech Limited**, Hong Kong (CN)
- (**) Term: **14 Years**
- (21) Appl. No.: **29/250,308**
- (22) Filed: **Nov. 9, 2006**
- (30) **Foreign Application Priority Data**
May 9, 2006 (EM) 000525209
- (51) **LOC (8) Cl.** **26-05**
- (52) **U.S. Cl.** **D26/67**
- (58) **Field of Classification Search** D26/67-71,
D26/24, 80, 91; 362/153, 157, 140, 183,
362/184, 194, 209, 216, 249, 252, 431, 800
See application file for complete search history.

(56) **References Cited**

U.S. PATENT DOCUMENTS

- D119,815 S * 4/1940 Zimmer D26/128
- D387,883 S * 12/1997 Montgomery D26/25
- D441,477 S * 5/2001 Byers et al. D26/67
- D468,472 S * 1/2003 Mullally et al. D26/67
- D475,801 S * 6/2003 Stewart D26/67
- D488,879 S * 4/2004 Brown et al. D26/67
- D497,447 S * 10/2004 Yoneda D26/72

2005/0094387 A1* 5/2005 Coman 362/153

* cited by examiner

Primary Examiner—Clare E Heflin

(74) *Attorney, Agent, or Firm*—Klein, O'Neill & Singh, LLP; Howard J. Klein

(57) **CLAIM**

The ornamental design for a lamp, as shown and described.

DESCRIPTION

FIG. 1 is a top perspective view of a lamp in accordance with my new design;

FIG. 2 is a top plan view of the lamp of FIG. 1;

FIG. 3 is a front elevational view of the lamp of FIG. 1, the rear elevational view being a mirror image, thereof;

FIG. 4 is a side elevational view of the lamp of FIG. 2, the other side elevational view being a mirror image, thereof;

FIG. 5 is a bottom plan view of the lamp of FIG. 1;

FIG. 6 is an exploded view of the lamp of FIG. 2;

FIG. 7 is an exploded view of the lamp of FIG. 5;

FIG. 8 is a side elevational view of the lamp of FIG. 6 looking in the direction of arrows 8—8; and,

FIG. 9 is a side elevational view of the lamp of FIG. 6 looking in the direction of arrows 9—9.

1 Claim, 4 Drawing Sheets

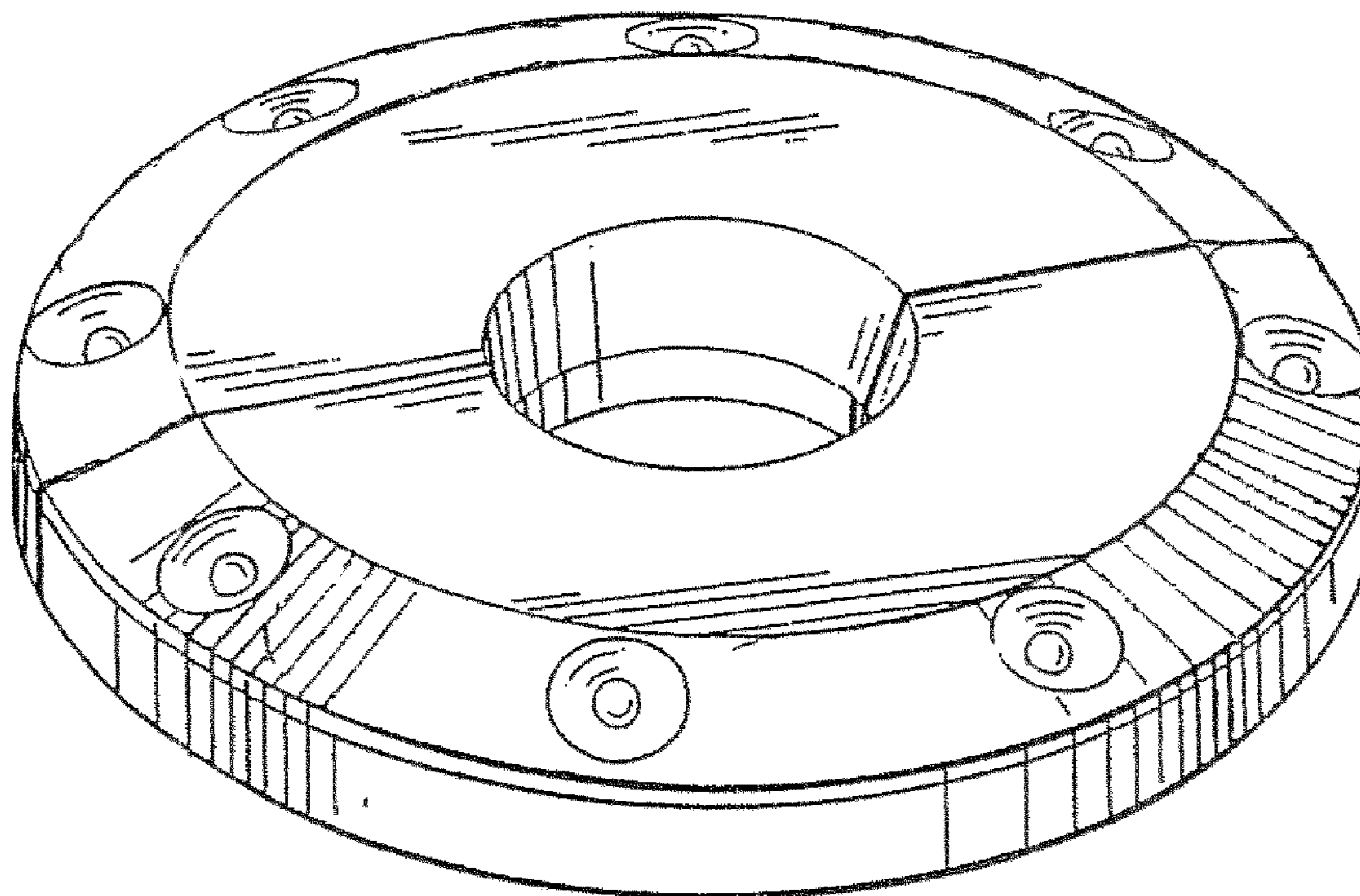


FIG. 1

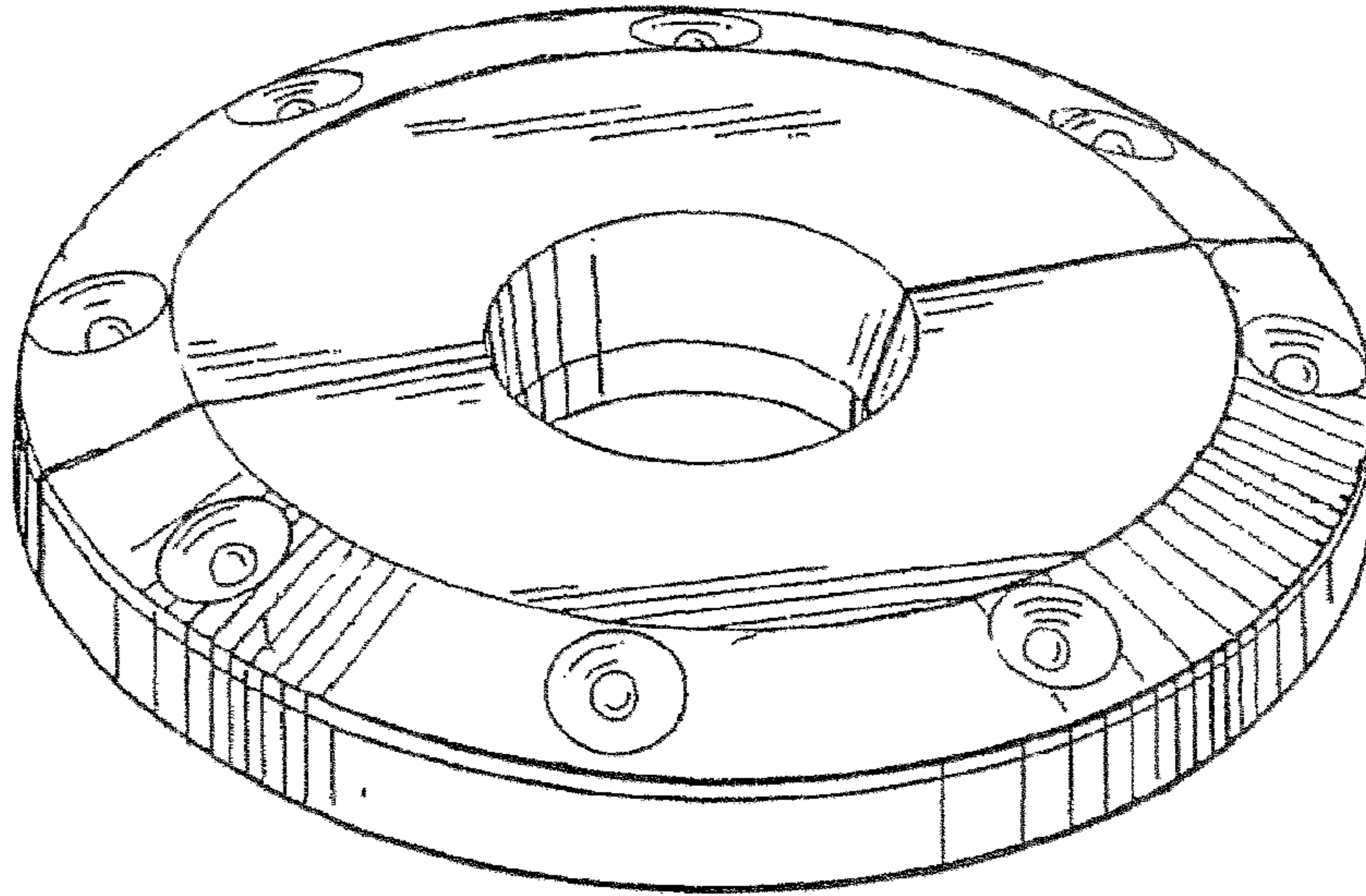


FIG. 2

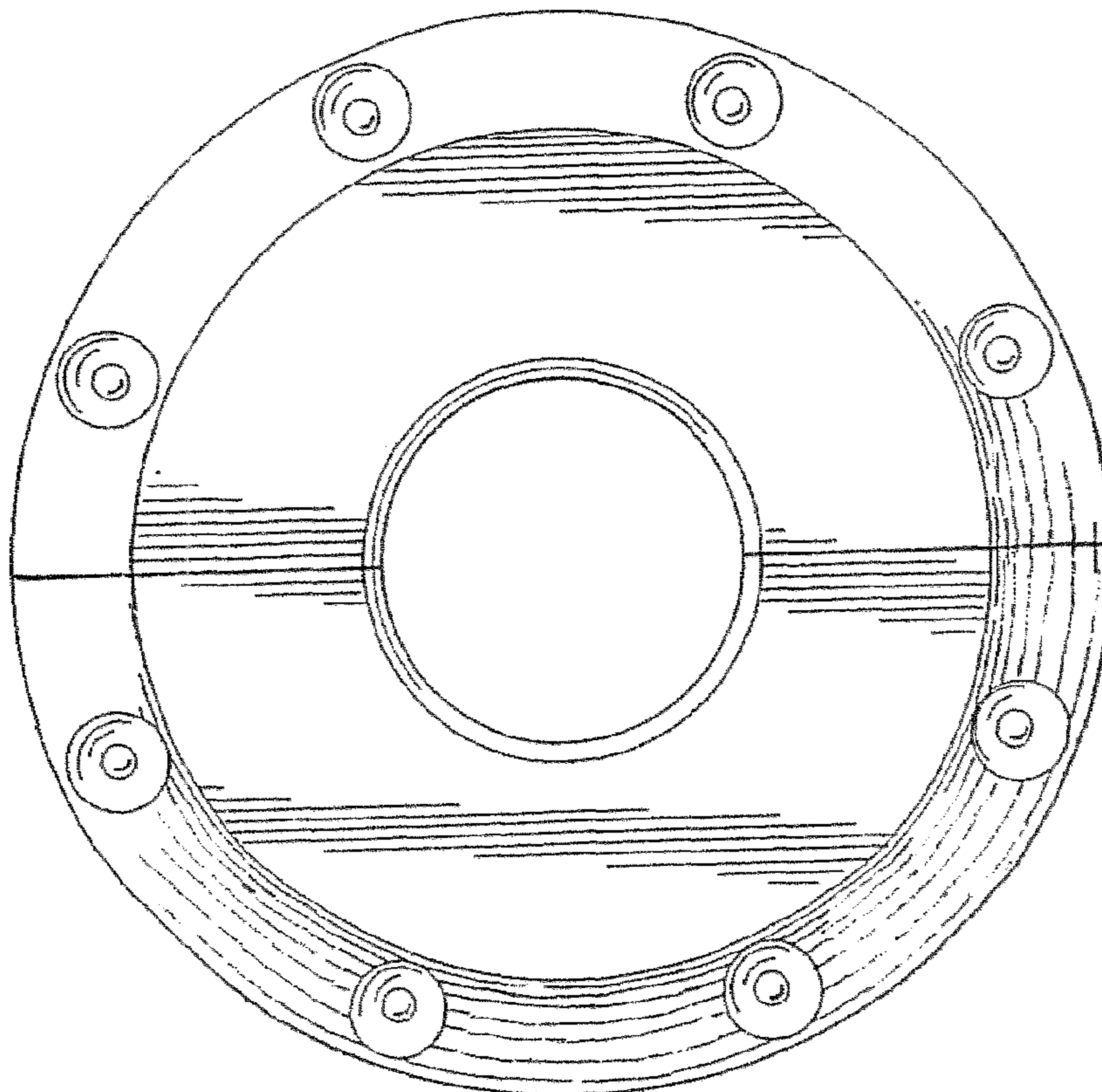


FIG. 3

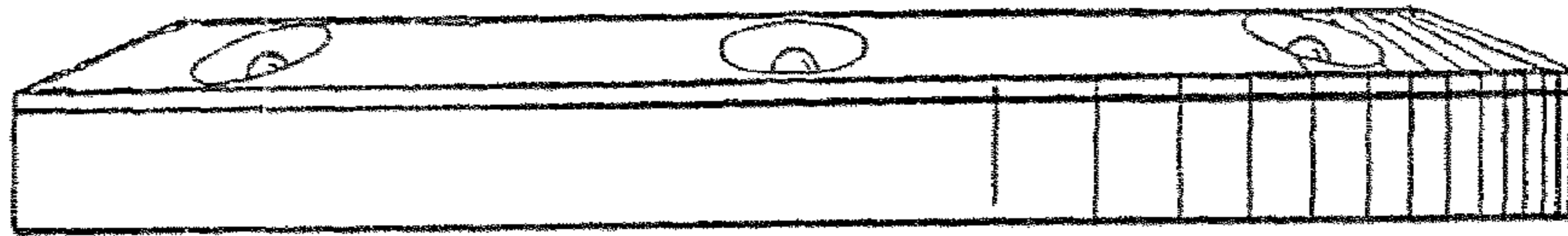


FIG. 4

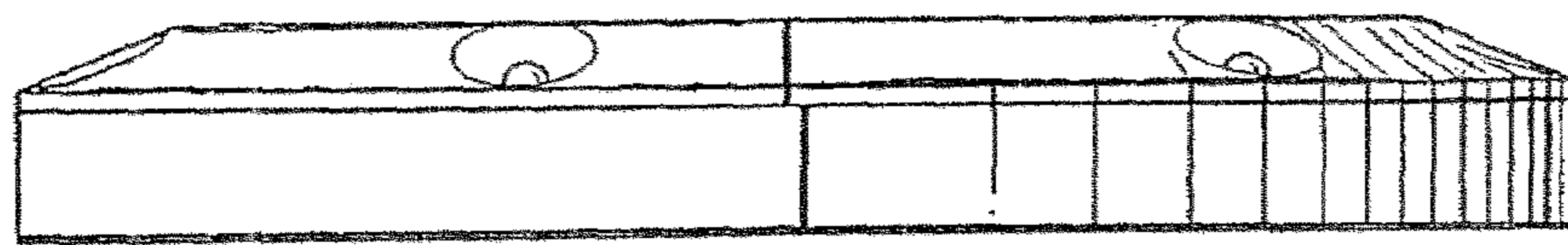
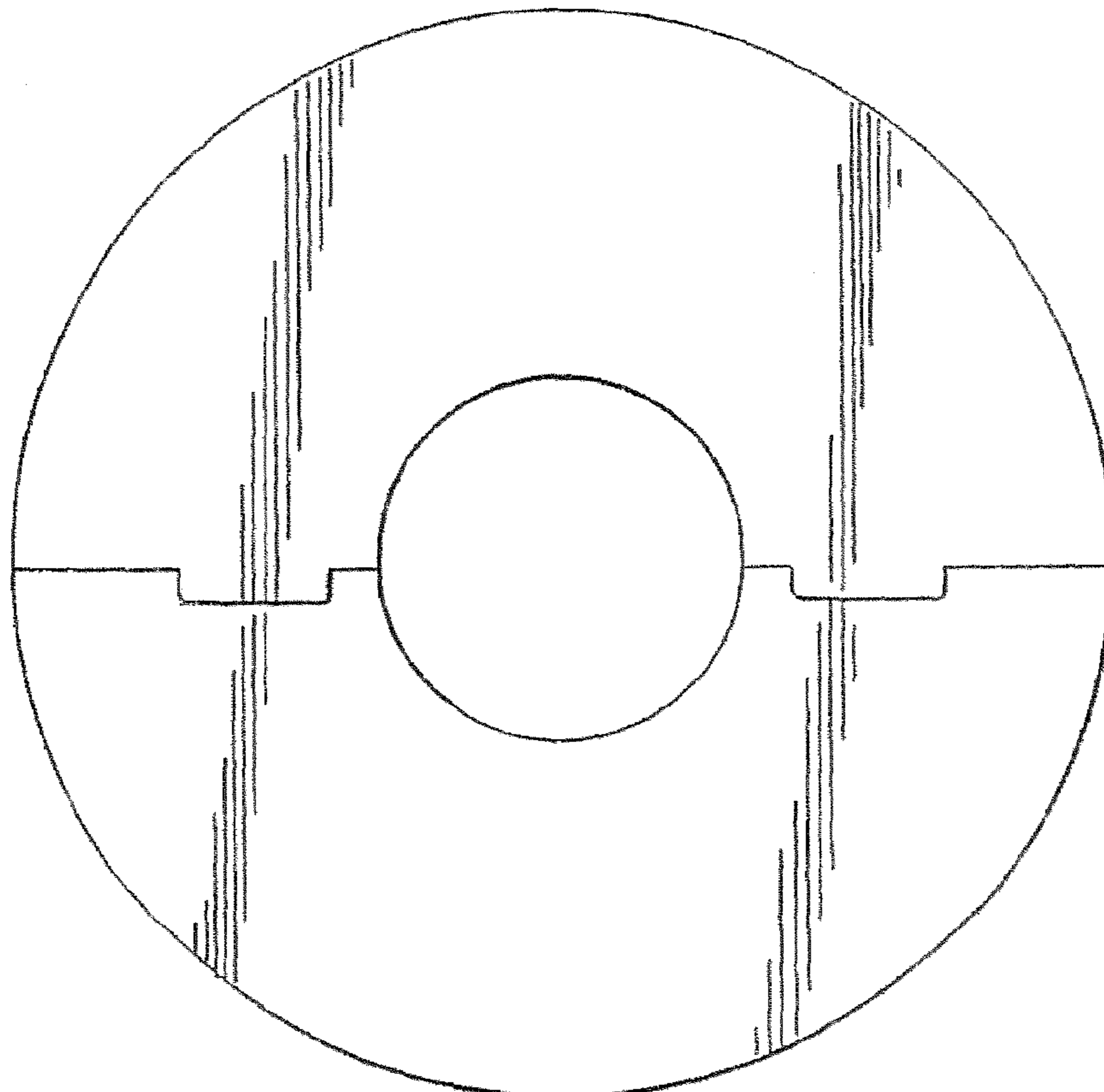


FIG. 5



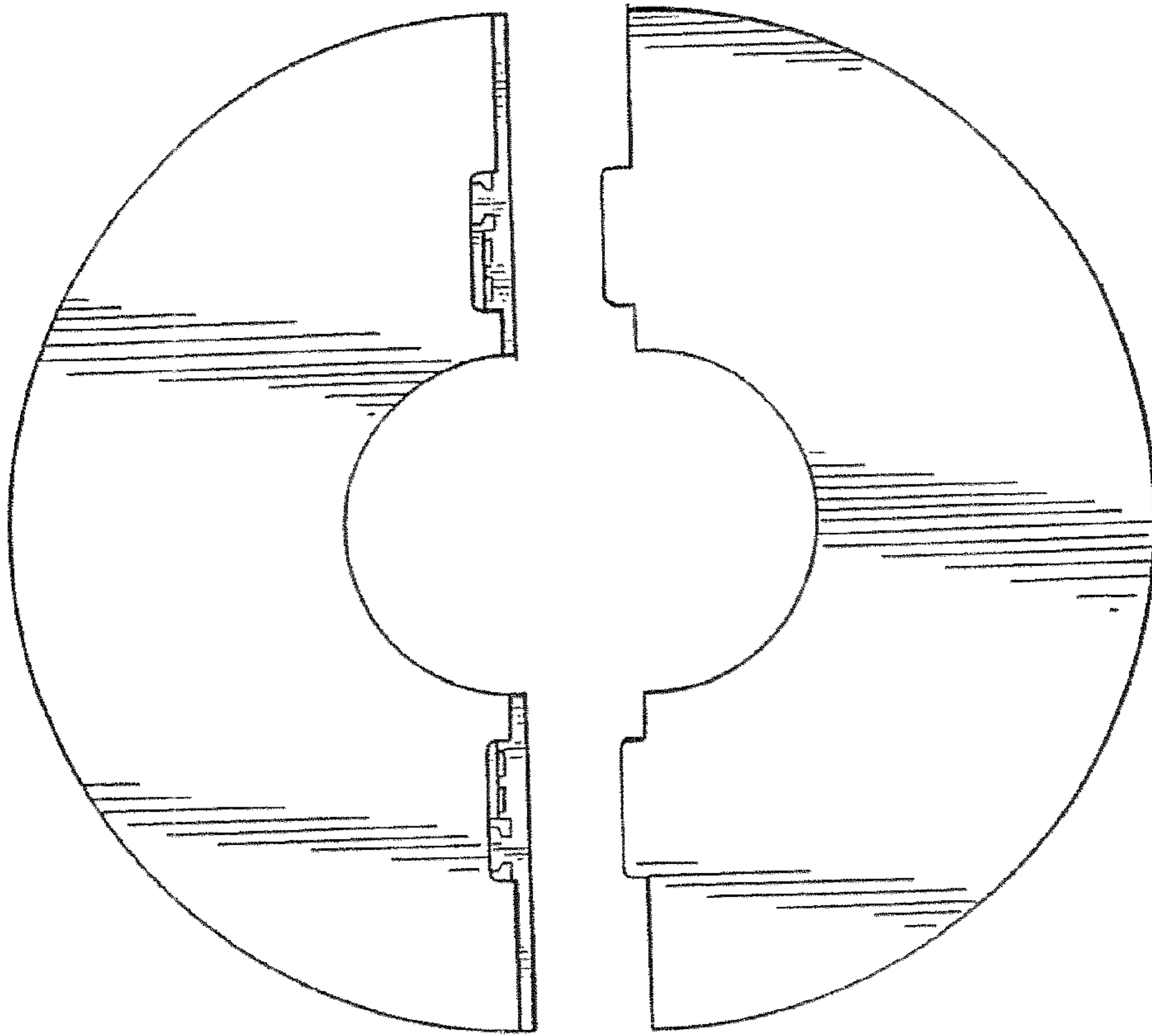


FIG. 7

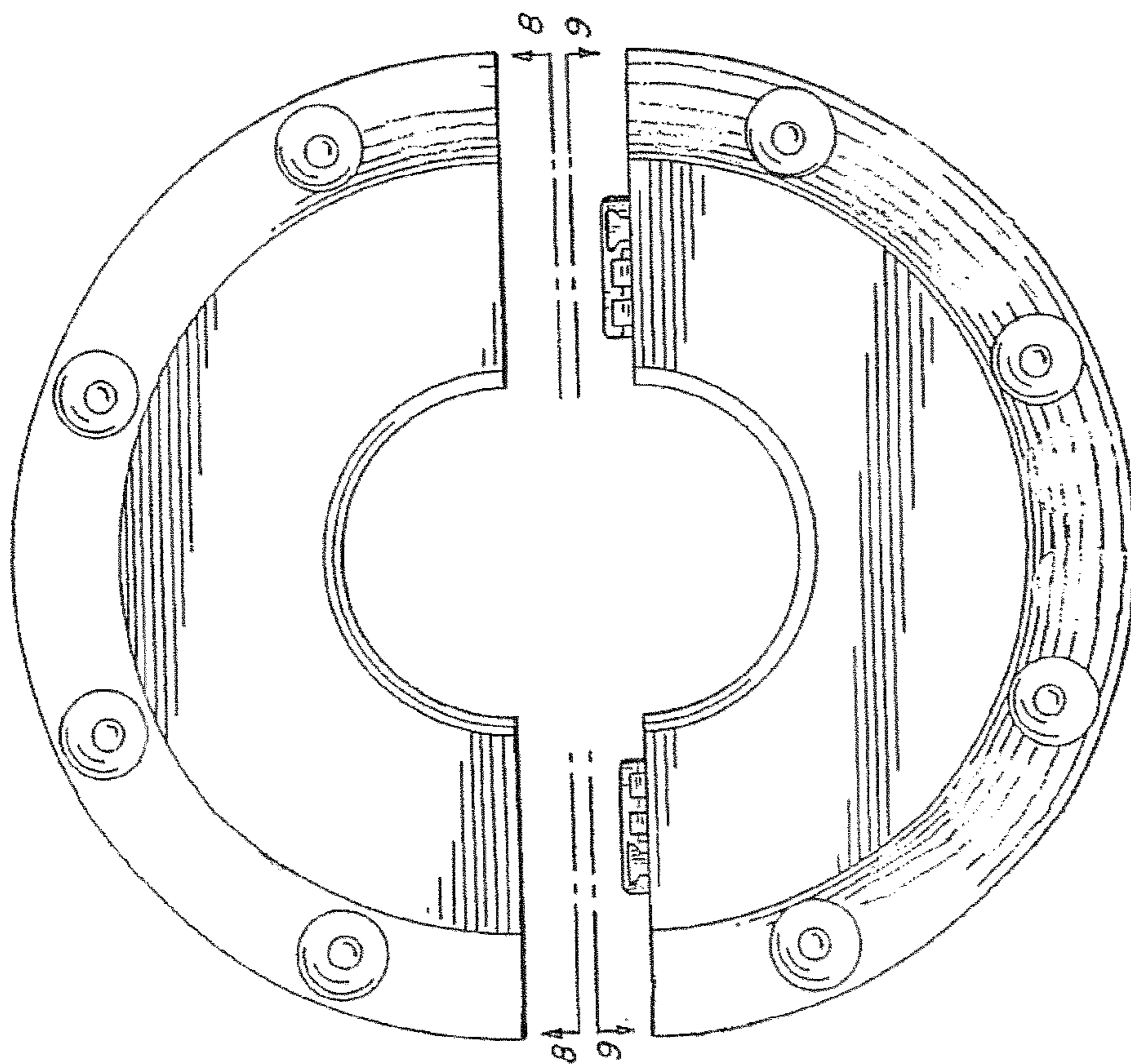


FIG. 6

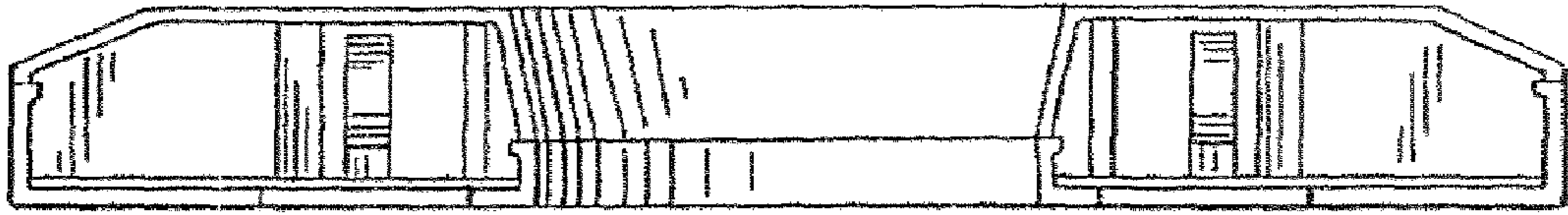


FIG. 8

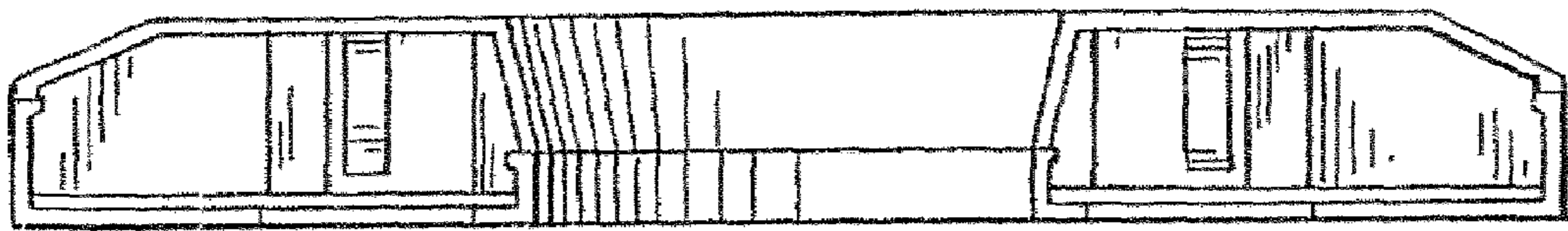


FIG. 9