

US00D558907S

(12) **United States Design Patent**  
**Liu**

(10) **Patent No.:** **US D558,907 S**  
(45) **Date of Patent:** **\*\* Jan. 1, 2008**

(54) **FLASHLIGHT**

D542,448 S \* 5/2007 Wang ..... D26/49

(76) Inventor: **Yun-Zhao Liu**, No. 3, 2nd St.,  
Hsinfeng Rd., Huangpu Township,  
Zhongshan City, Guangdong Province,  
P.R. (CN)

\* cited by examiner

*Primary Examiner*—Marcus A. Jackson  
(74) *Attorney, Agent, or Firm*—Rosenberg, Klein & Lee

(\*\*) Term: **14 Years**

(57) **CLAIM**

(21) Appl. No.: **29/287,160**

The ornamental design for a flashlight, as shown and described.

(22) Filed: **Jul. 5, 2007**

(51) **LOC (8) Cl.** ..... **26-02**

(52) **U.S. Cl.** ..... **D26/49**

(58) **Field of Classification Search** ..... D26/37–50;  
362/157, 158, 171–174, 183–208  
See application file for complete search history.

**DESCRIPTION**

FIG. 1 is a perspective view of a flashlight showing my new design;

FIG. 2 is a front elevational view thereof;

FIG. 3 is a rear elevational view thereof;

FIG. 4 is a left side elevational view thereof;

FIG. 5 is a right side elevational view thereof;

FIG. 6 is a top plan view thereof; and,

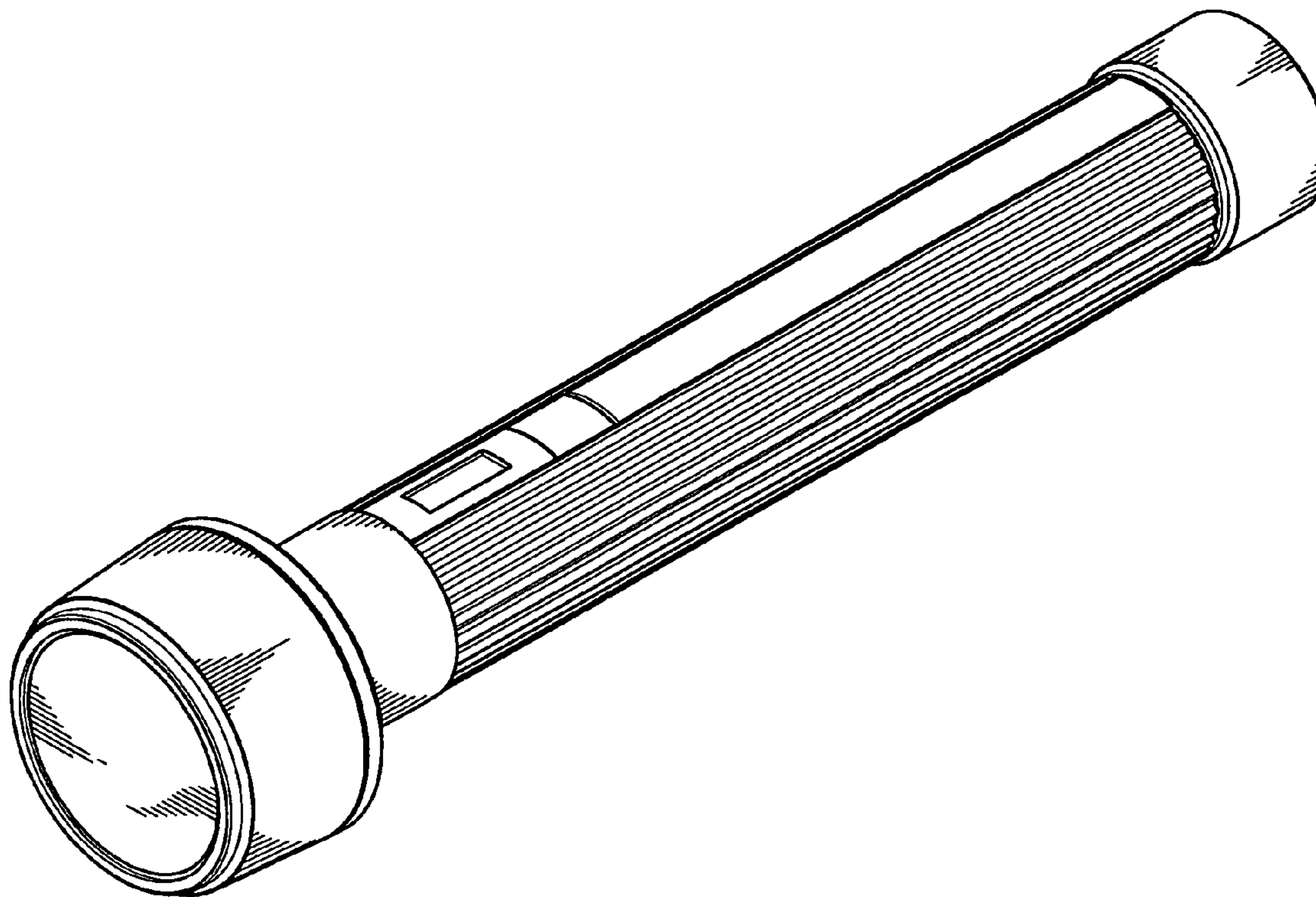
FIG. 7 is a bottom plan view thereof.

(56) **References Cited**

**U.S. PATENT DOCUMENTS**

D512,525 S \* 12/2005 Yang ..... D26/49  
D534,673 S \* 1/2007 Muszynski ..... D26/49

**1 Claim, 4 Drawing Sheets**



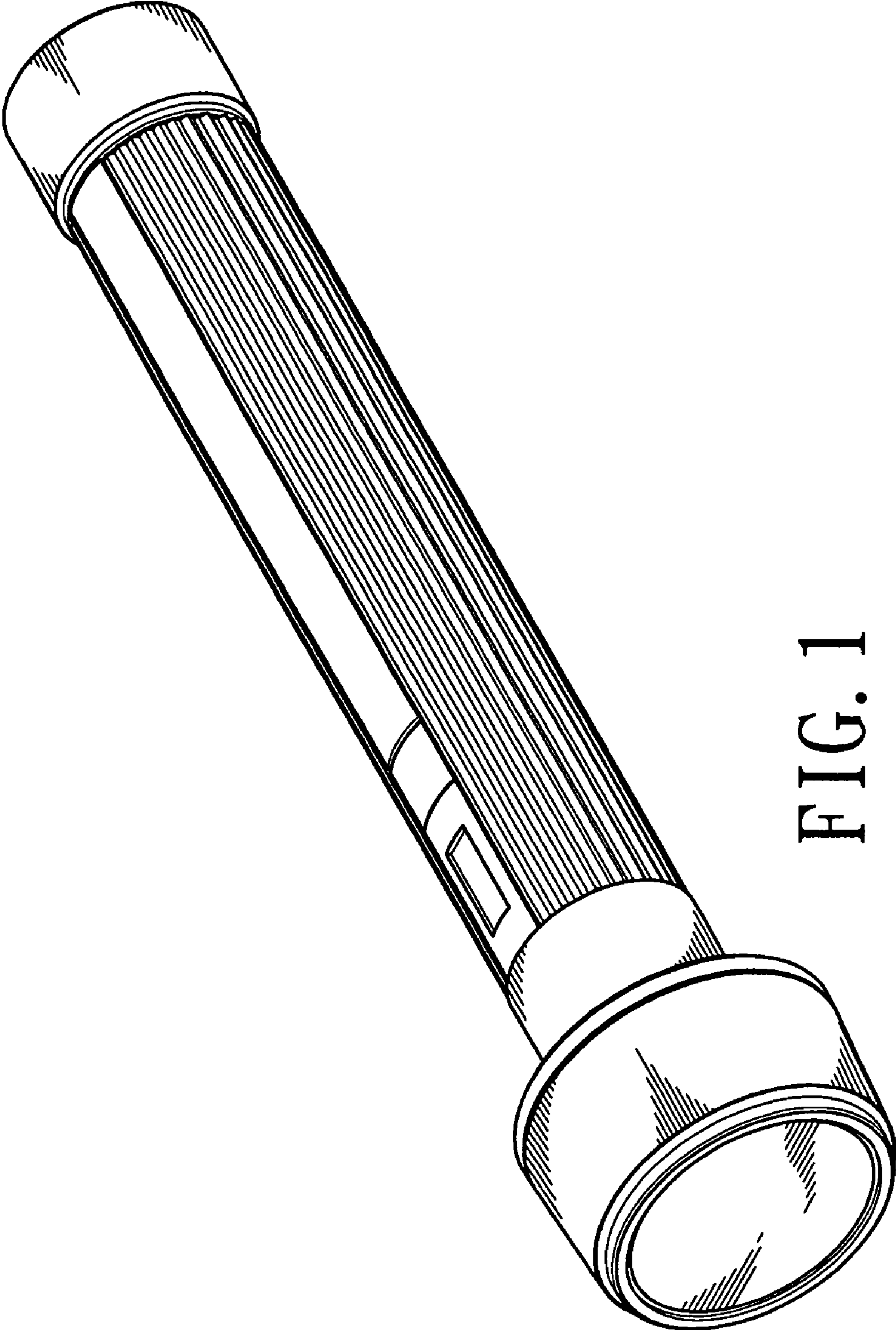


FIG. 1

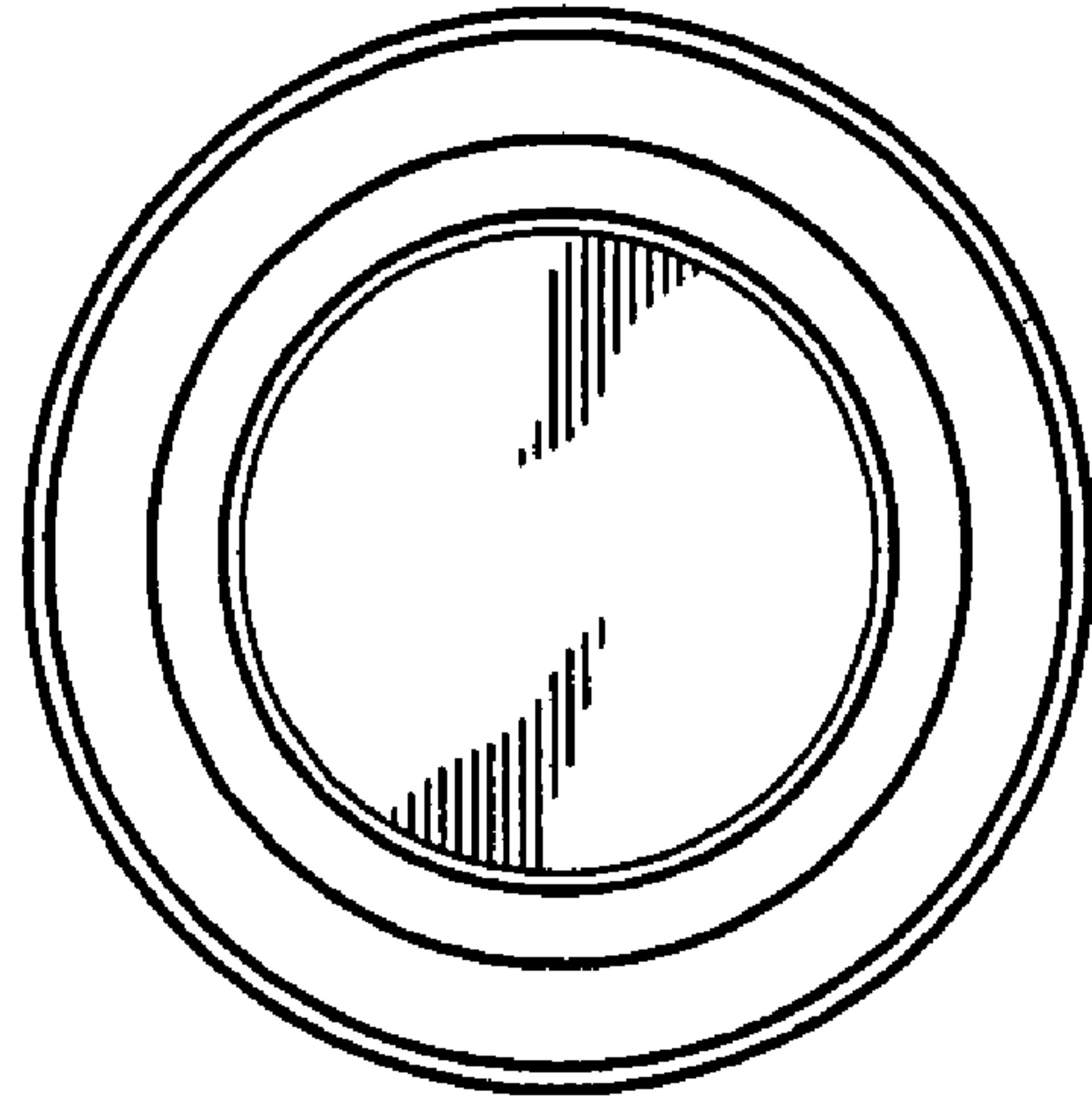


FIG. 3

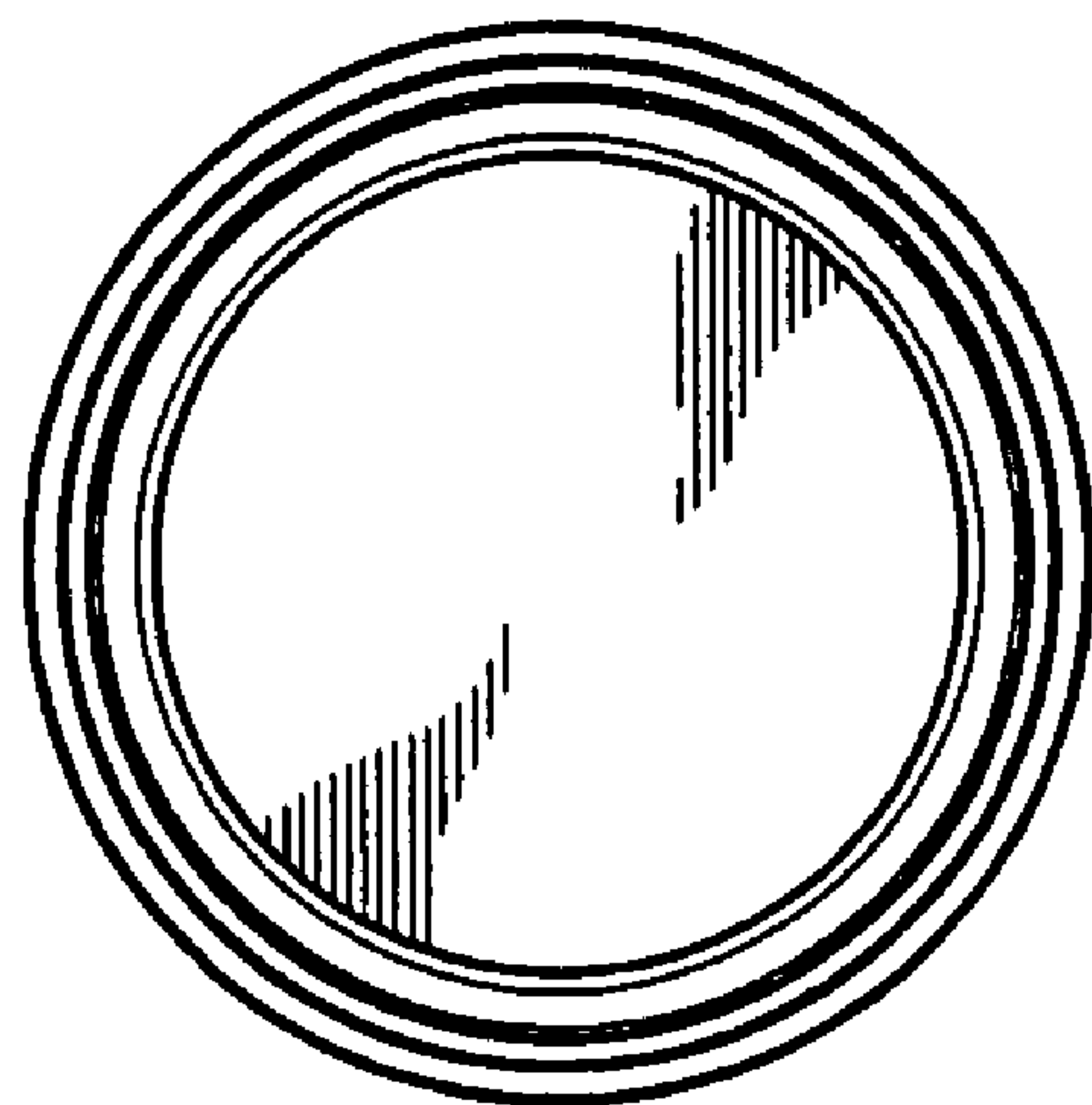


FIG. 2

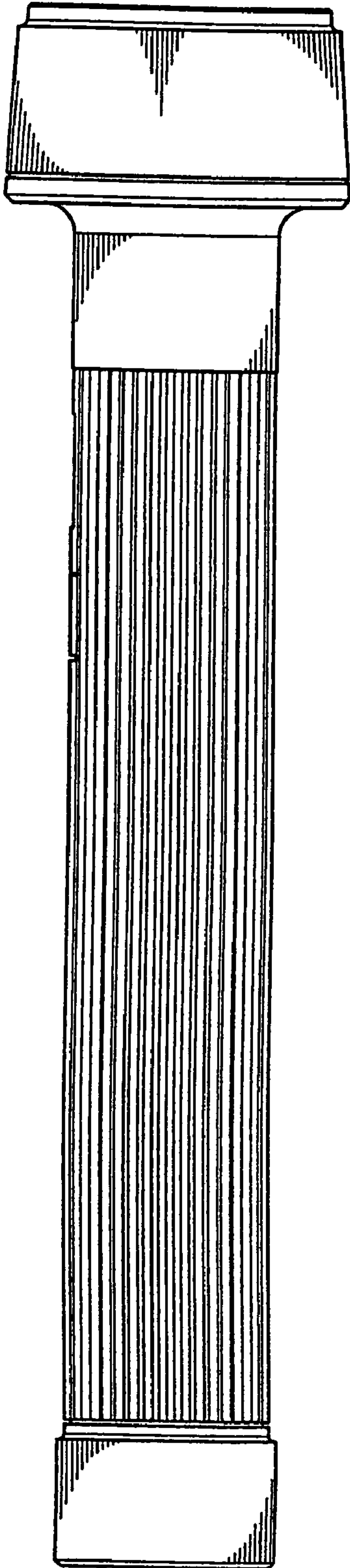


FIG. 4

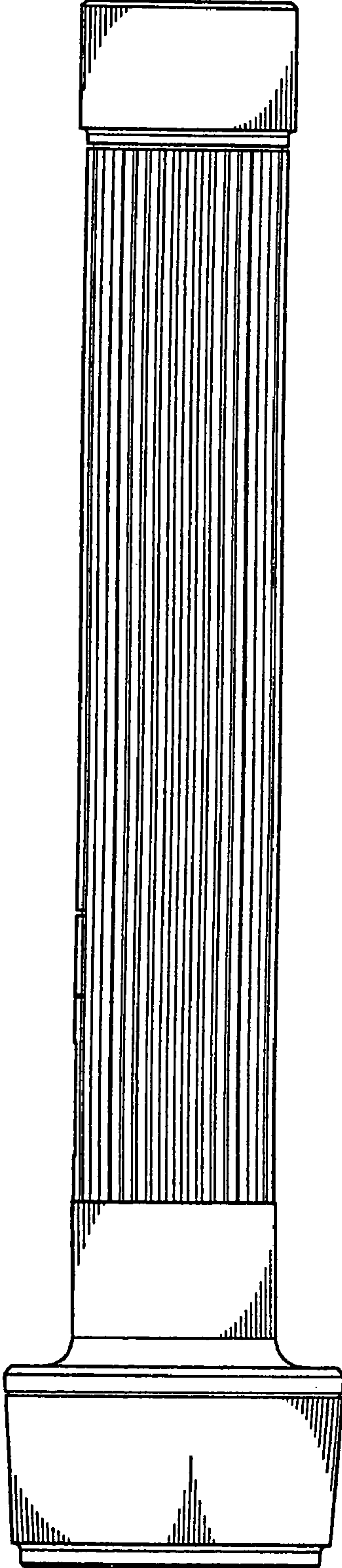


FIG. 5

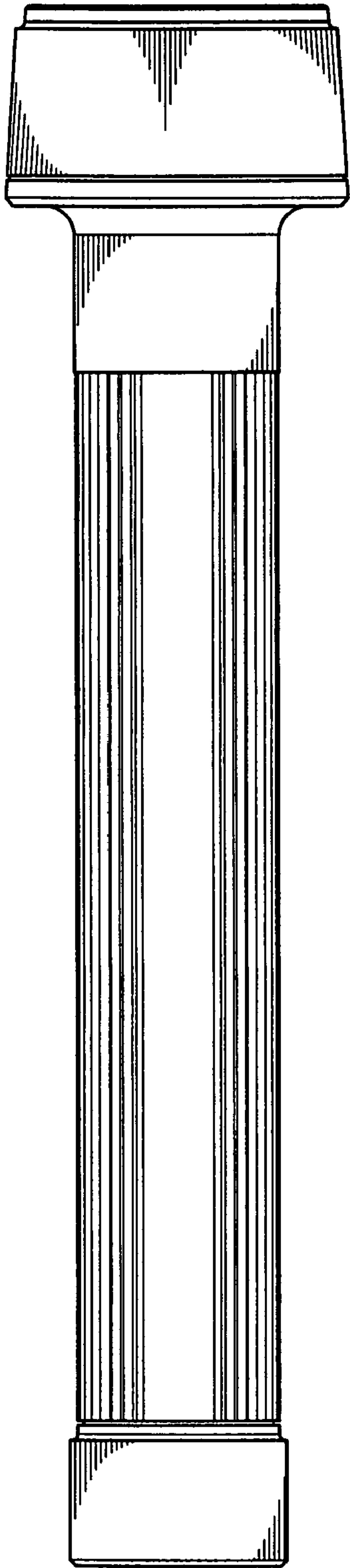


FIG. 7

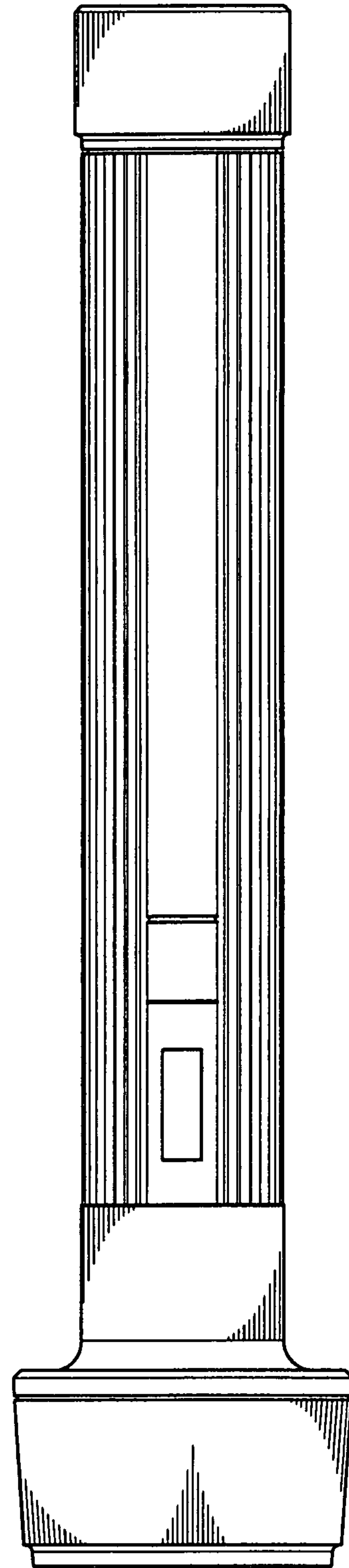


FIG. 6