



US00D558900S

(12) **United States Design Patent**  
**Lockbeam**

(10) **Patent No.:** **US D558,900 S**

(45) **Date of Patent:** **\*\* Jan. 1, 2008**

(54) **WINDOW COMPONENT EXTRUSION**

D496,740 S \* 9/2004 Franson ..... D25/124  
D500,147 S \* 12/2004 Fannan ..... D25/124

(75) Inventor: **Michael D. Lockbeam**, Spanaway, WA  
(US)

\* cited by examiner

(73) Assignee: **Mikron Industries, Inc.**, Kent, WA  
(US)

*Primary Examiner*—Doris Clark  
(74) *Attorney, Agent, or Firm*—David C. Gadd

(\*\*) Term: **14 Years**

(57) **CLAIM**

(21) Appl. No.: **29/266,844**

The ornamental design for a window component extrusion,  
as shown and described.

(22) Filed: **Sep. 25, 2006**

**DESCRIPTION**

(51) **LOC (8) Cl.** ..... **25-01**

(52) **U.S. Cl.** ..... **D25/124**

(58) **Field of Classification Search** ..... D25/119,  
D25/124, 52, 60, 125; 52/204.1, 204.2, 204.5,  
52/204.51, 656.5, 656.6, 213, 215, 204.71,  
52/204.55, 204.593, 204.595, 730.3, 208;  
49/DIG. 2, 504

See application file for complete search history.

FIG. 1 is a top left perspective view of the window component extrusion which is broken in the center indicating indefinite length,

FIG. 2 is a bottom left perspective view of the window component extrusion shown in FIG. 1,

FIG. 3 is a top right perspective view of the window component extrusion shown in FIG. 1; and,

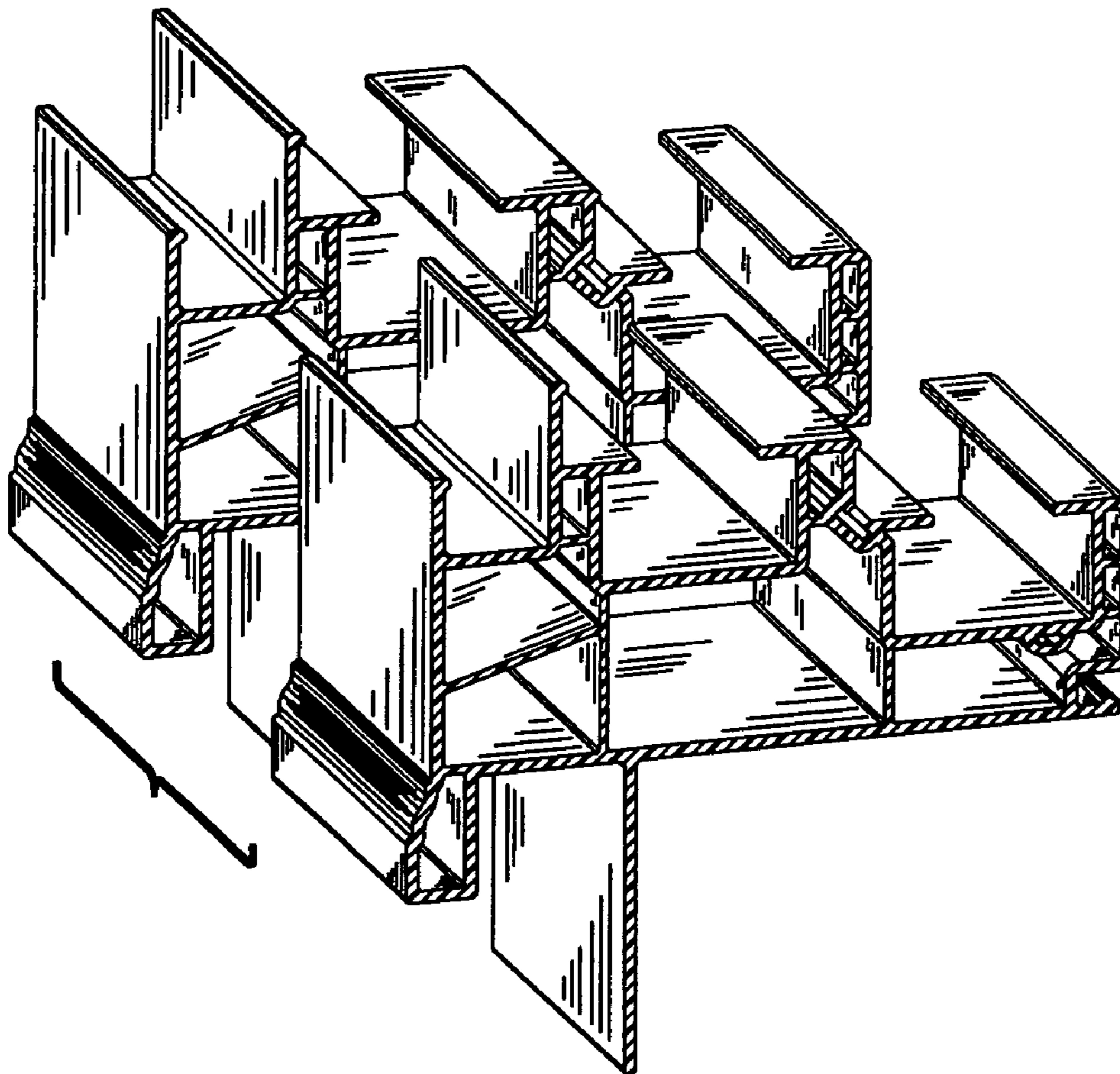
FIG. 4 is a bottom right perspective view of the window component extrusion shown in FIG. 1.

(56) **References Cited**

**U.S. PATENT DOCUMENTS**

D381,092 S \* 7/1997 DiGiorgio ..... D25/124

**1 Claim, 2 Drawing Sheets**



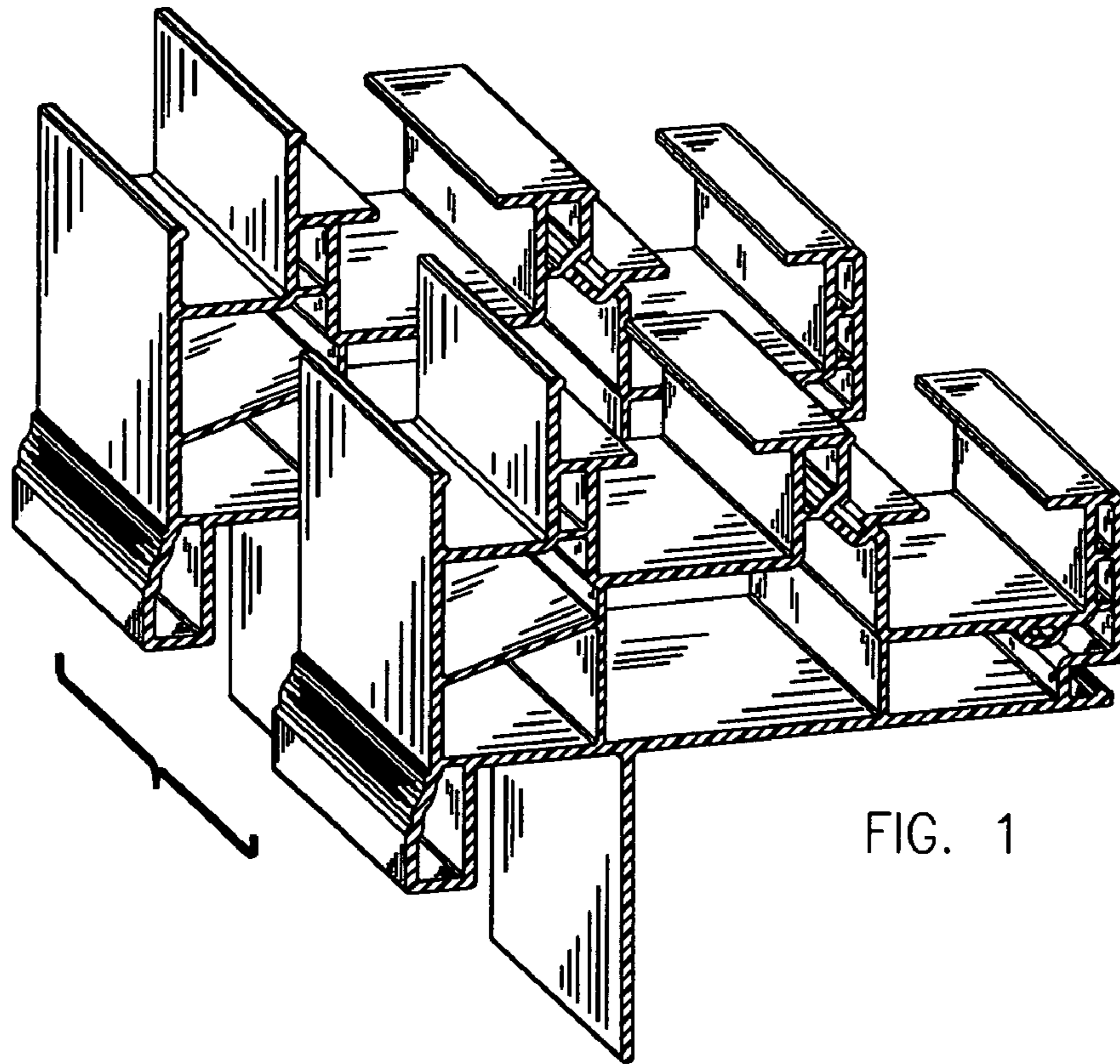


FIG. 1

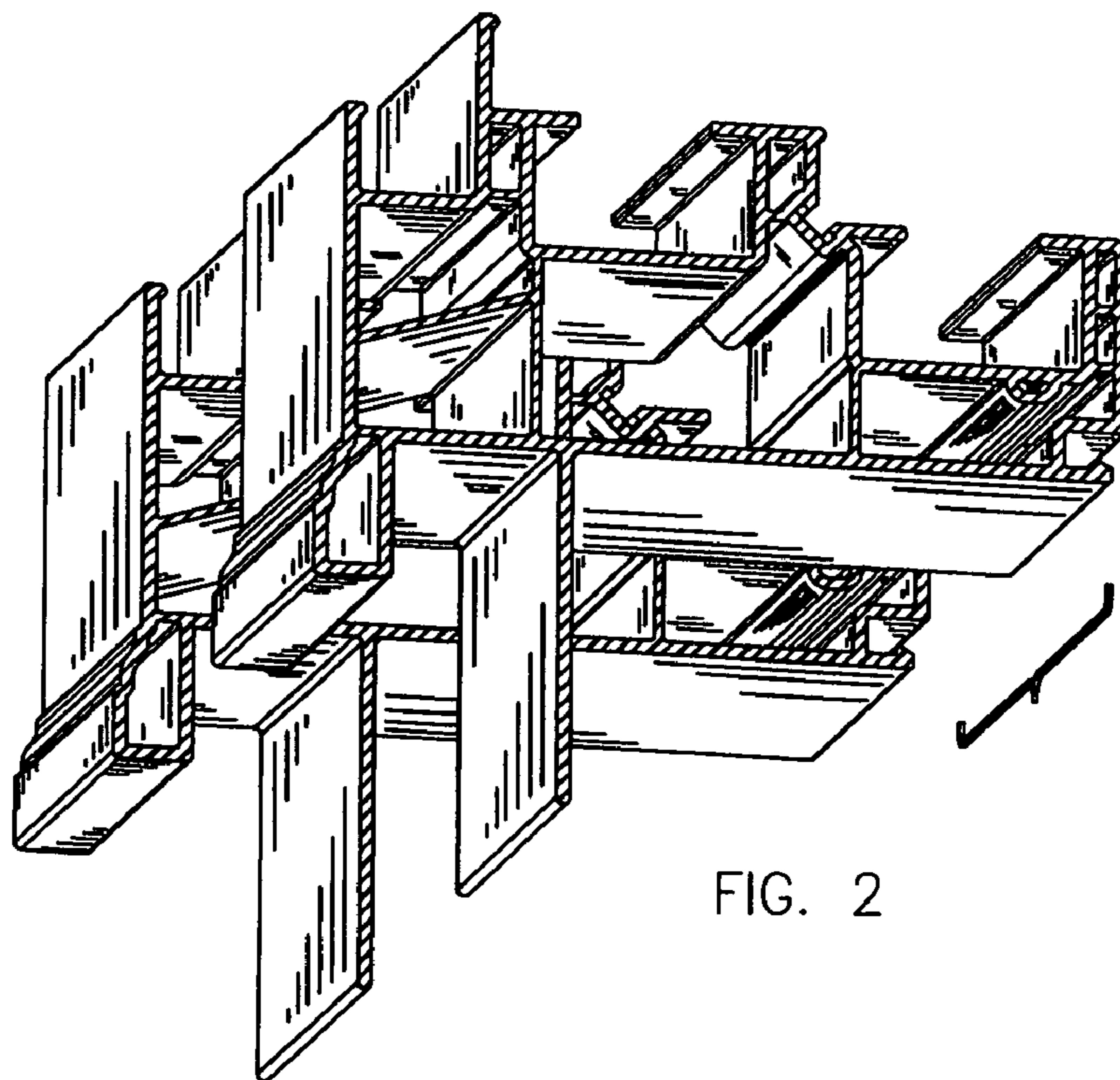


FIG. 2



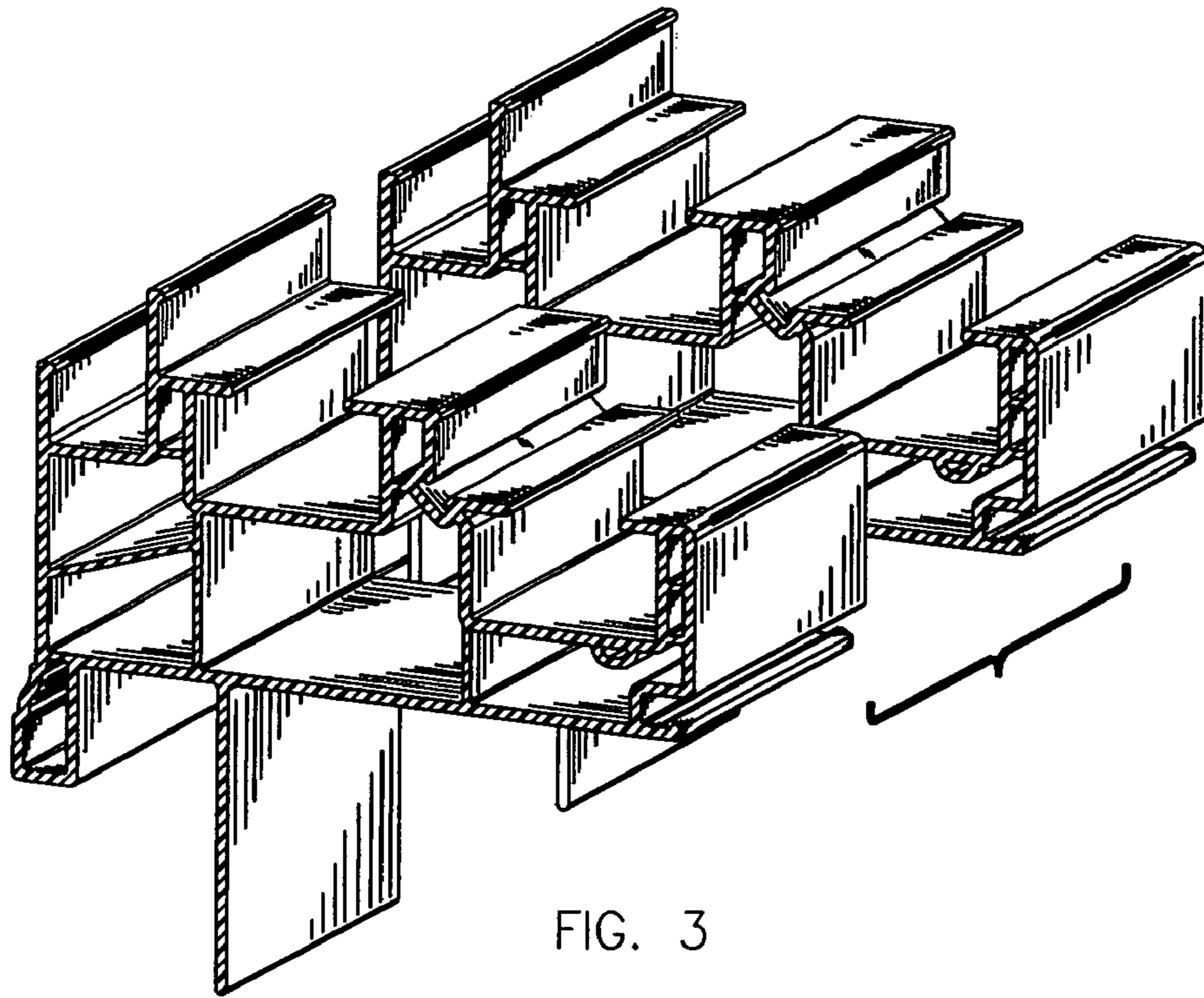


FIG. 3

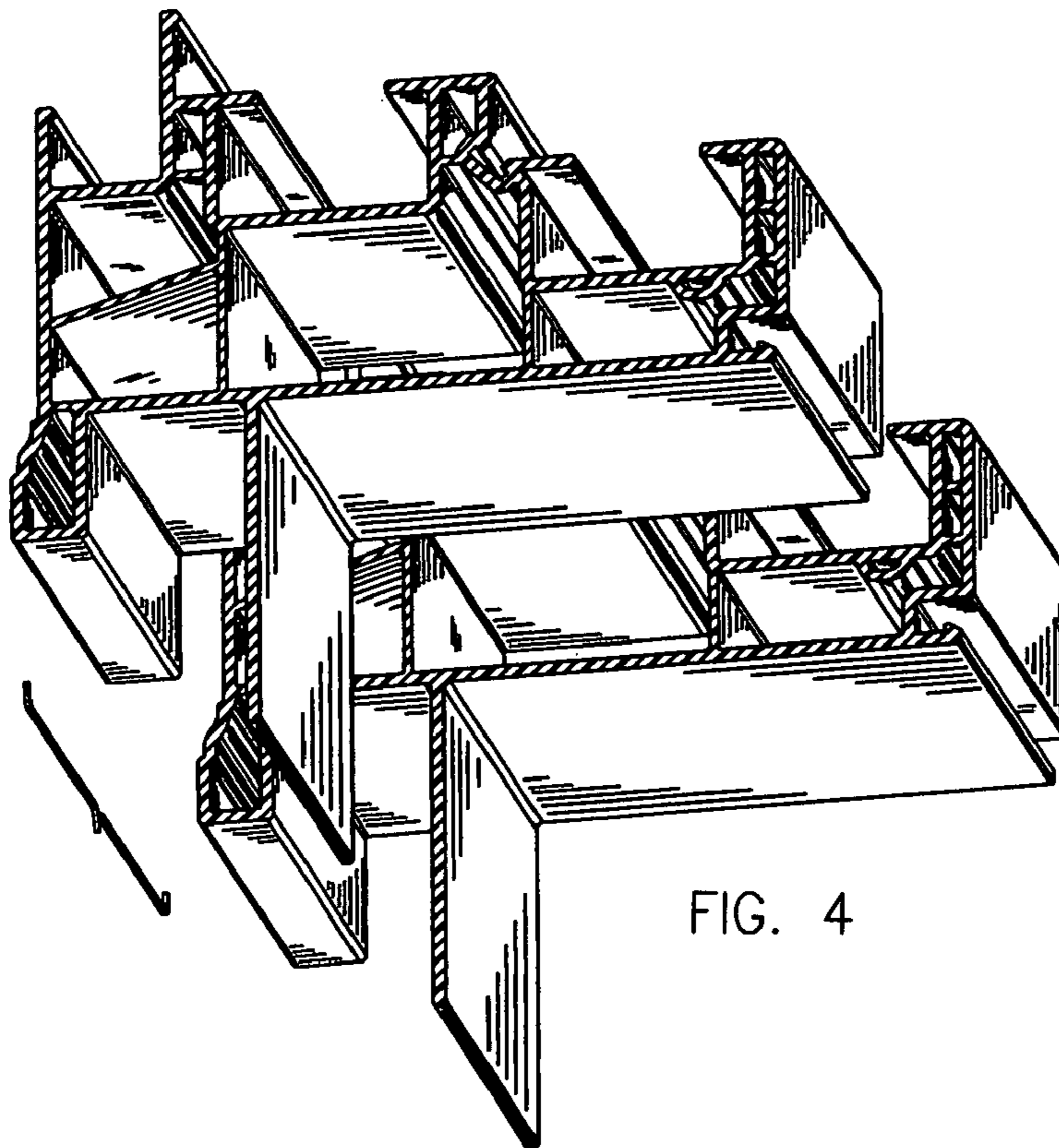


FIG. 4