



US00D558899S

(12) **United States Design Patent**
Cole

(10) **Patent No.:** **US D558,899 S**
(45) **Date of Patent:** **** Jan. 1, 2008**

(54) **WINDOW COMPONENT EXTRUSION**

D353,472 S 12/1994 Schrader
D385,364 S 10/1997 Lockbeam
D469,884 S * 2/2003 Franson D25/119

(75) Inventor: **Douglas L. Cole**, Chelan, WA (US)

(73) Assignee: **Mikron Industries, Inc.**, Kent, WA (US)

(**) Term: **14 Years**

(21) Appl. No.: **29/231,539**

(22) Filed: **Jun. 7, 2005**

(51) **LOC (8) Cl.** **25-01**

(52) **U.S. Cl.** **D25/119**

(58) **Field of Classification Search** D25/119,
D25/124, 125; 52/204.1, 204.2, 204.5, 204.51,
52/656.5, 656.6, 213, 215, 204.71, 204.55,
52/204.593, 204.595, 730.3, 208; 49/DIG. 2,
49/504

See application file for complete search history.

(56) **References Cited**

U.S. PATENT DOCUMENTS

3,662,494 A * 5/1972 Sitterly 49/504
4,578,905 A * 4/1986 Hout 49/504

OTHER PUBLICATIONS

Mikron Part No. 0531; first sold Jun. 14, 2001.

* cited by examiner

Primary Examiner—Doris Clark

(74) *Attorney, Agent, or Firm*—Black Lowe & Graham PLLC

(57) **CLAIM**

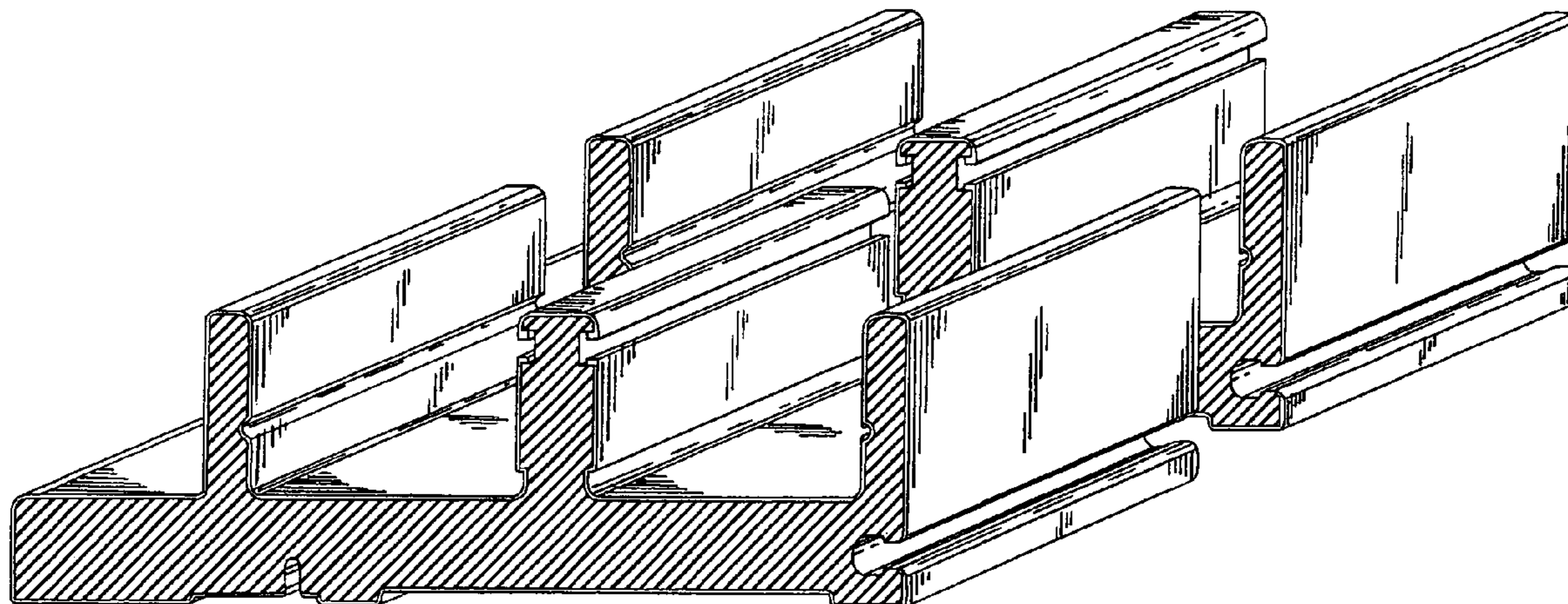
The ornamental design for a window component extrusion, as shown and described.

DESCRIPTION

FIG. 1 is a top right perspective view of the window component extrusion which is broken in the center indicating indefinite length; and,

FIG. 2 is a bottom left perspective view of the window component extrusion shown in FIG. 1.

1 Claim, 2 Drawing Sheets



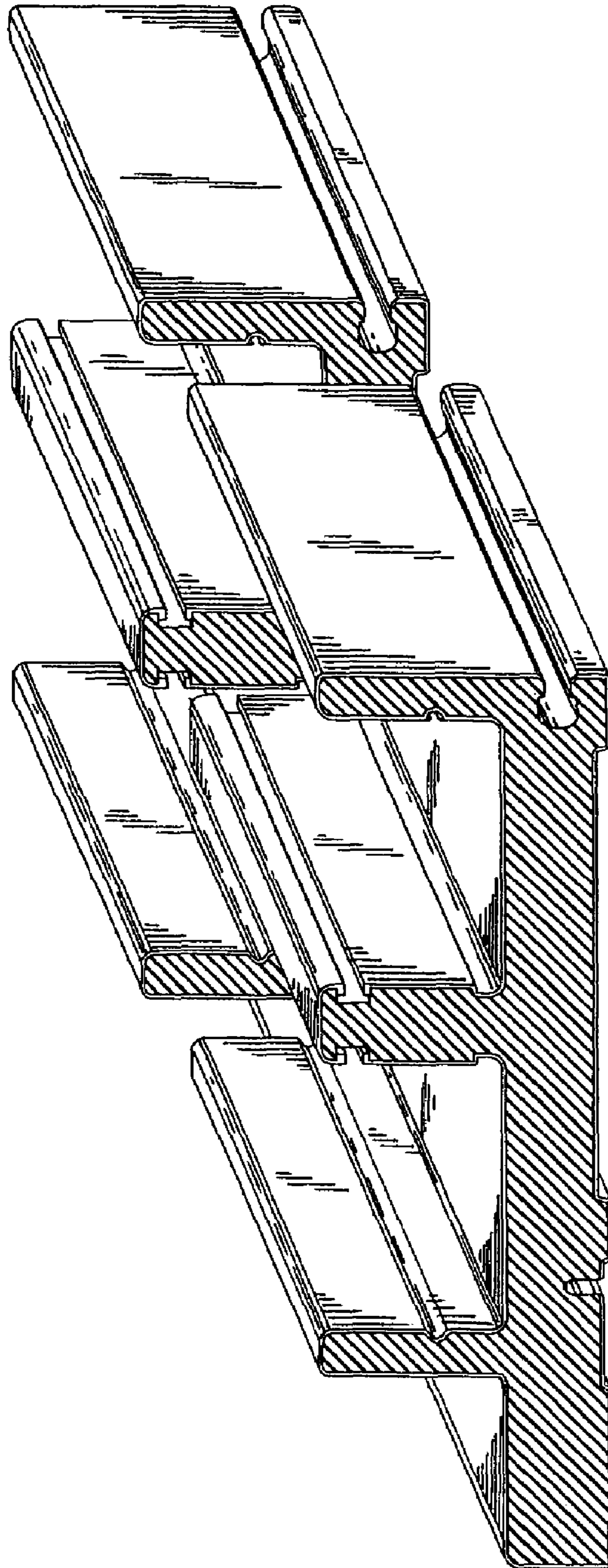


FIG. 1

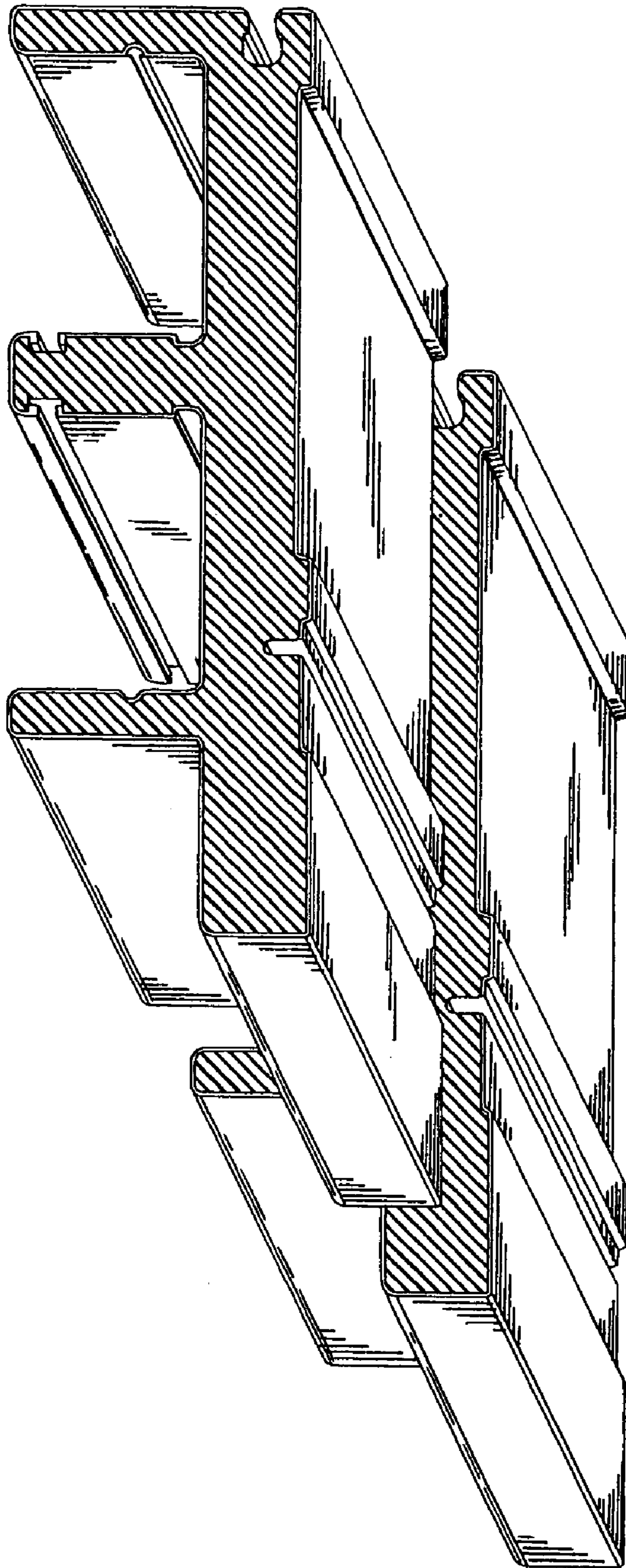


FIG. 2