



US00D558897S

(12) **United States Design Patent**
Smith

(10) **Patent No.:** **US D558,897 S**

(45) **Date of Patent:** **** Jan. 1, 2008**

(54) **ROUNDED PLATFORM TREE STAND**

6,830,128 B2 * 12/2004 Burgeson 182/116

* cited by examiner

(76) Inventor: **Doug Smith**, 22 Laura Dr., Groveland,
IL (US) 62535

Primary Examiner—Doris Clark

(**) Term: **14 Years**

(74) *Attorney, Agent, or Firm*—Law Office of Robert M.
Patino

(21) Appl. No.: **29/268,658**

(57) **CLAIM**

(22) Filed: **Nov. 9, 2006**

I claim the ornamental design for a rounded platform tree
stand, as shown and described.

(51) **LOC (8) Cl.** **25-04**

(52) **U.S. Cl.** **D25/62**

(58) **Field of Classification Search** D25/62;
182/101, 102, 115, 120, 187

See application file for complete search history.

DESCRIPTION

FIG. 1 is a top front perspective view of a rounded platform
tree stand showing my new design;

FIG. 2 is a front elevation view thereof;

FIG. 3 is a rear elevation view thereof;

FIG. 4 is a right side elevation view thereof;

FIG. 5 is a top plan view thereof; and,

FIG. 6 is a bottom plan view thereof.

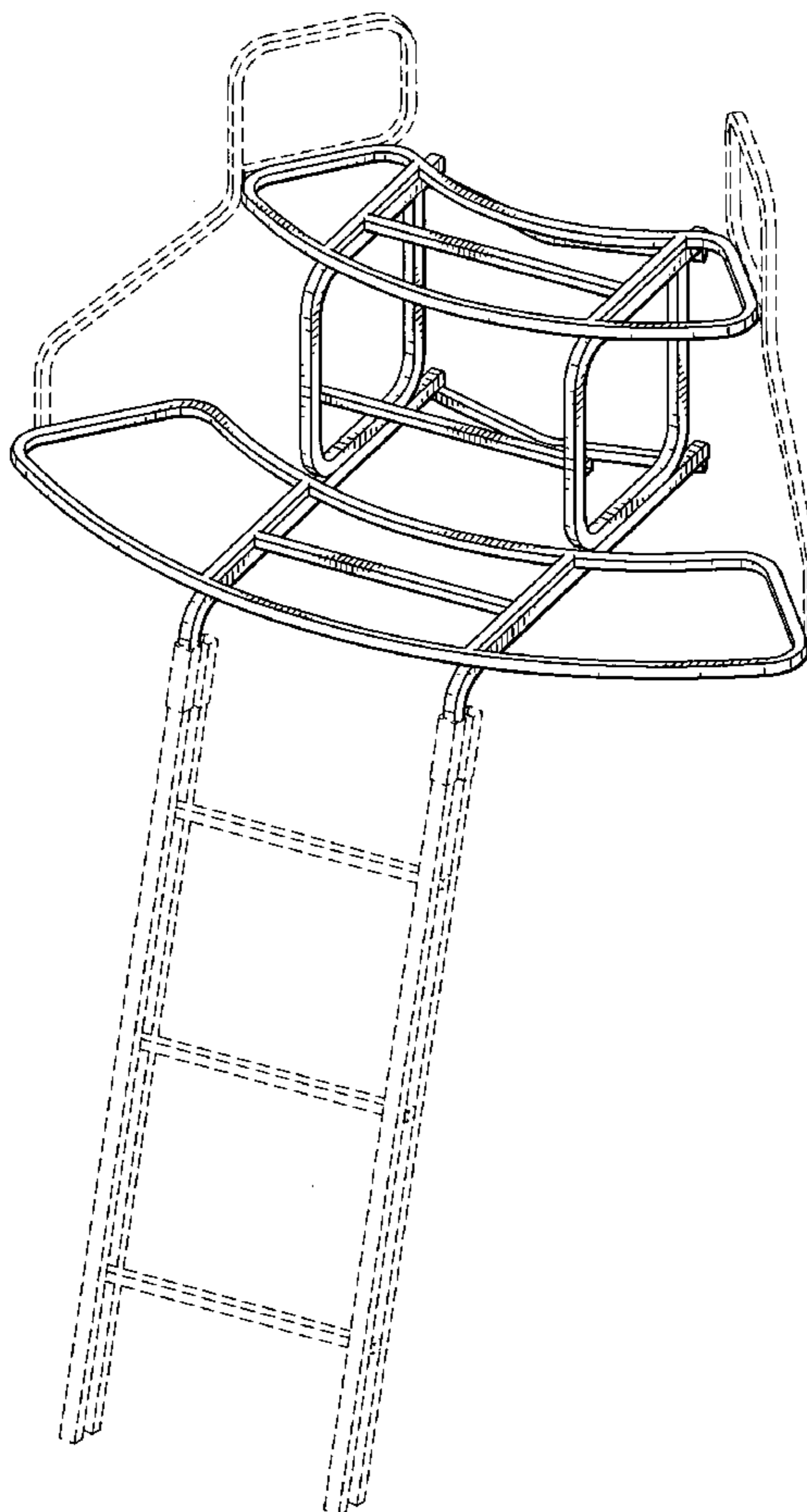
The broken lines showing a ladder is for illustrative pur-
poses only and form no part of the claimed design.

(56) **References Cited**

U.S. PATENT DOCUMENTS

- 3,358,789 A * 12/1967 Laun 182/113
- D354,143 S * 1/1995 Floyd, Jr. D25/62
- D421,134 S * 2/2000 Klijnstra D25/62
- 6,336,520 B1 * 1/2002 Amacker 182/187
- 6,725,970 B2 * 4/2004 Garofalo 182/115

1 Claim, 6 Drawing Sheets



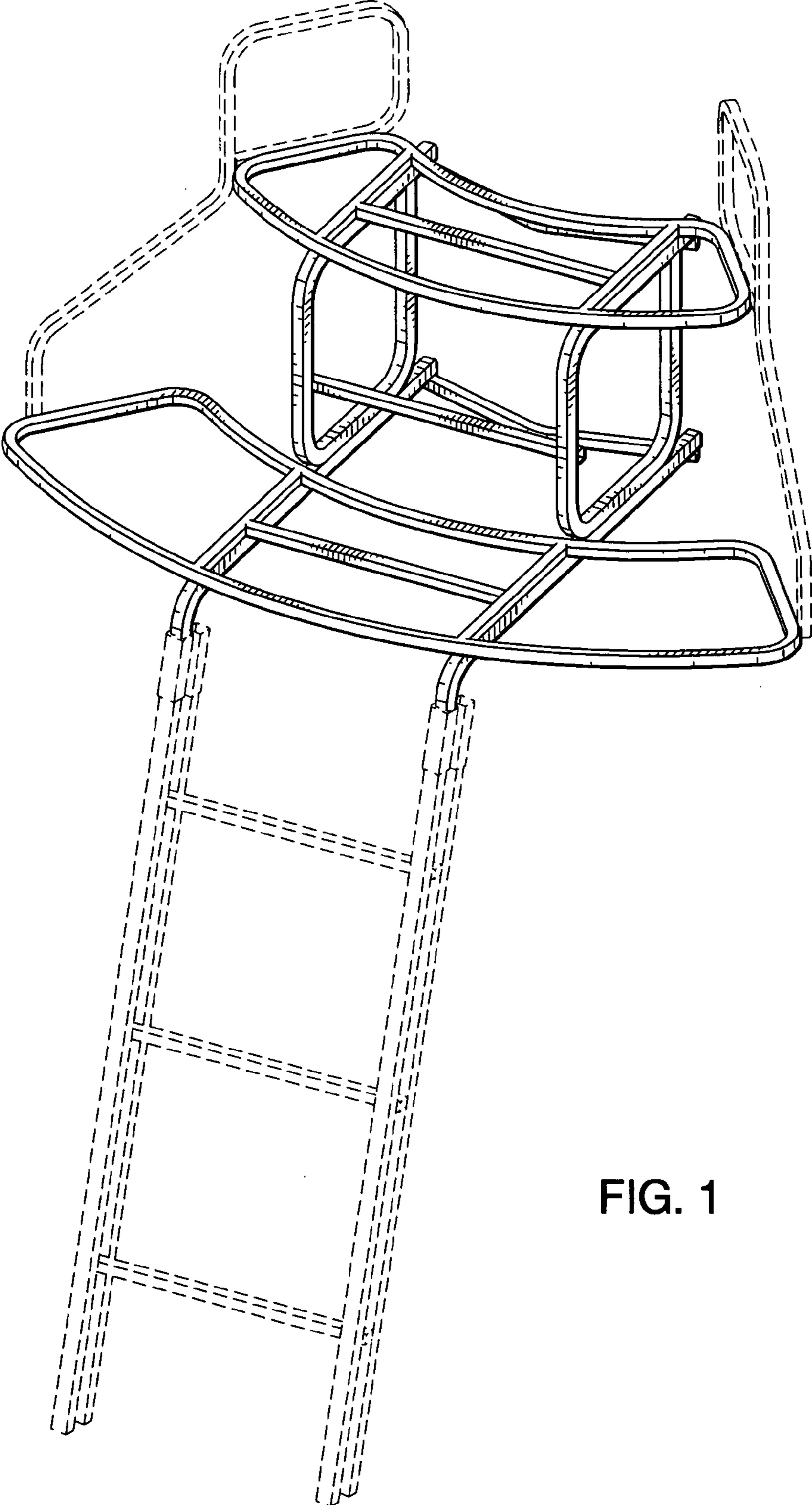


FIG. 1

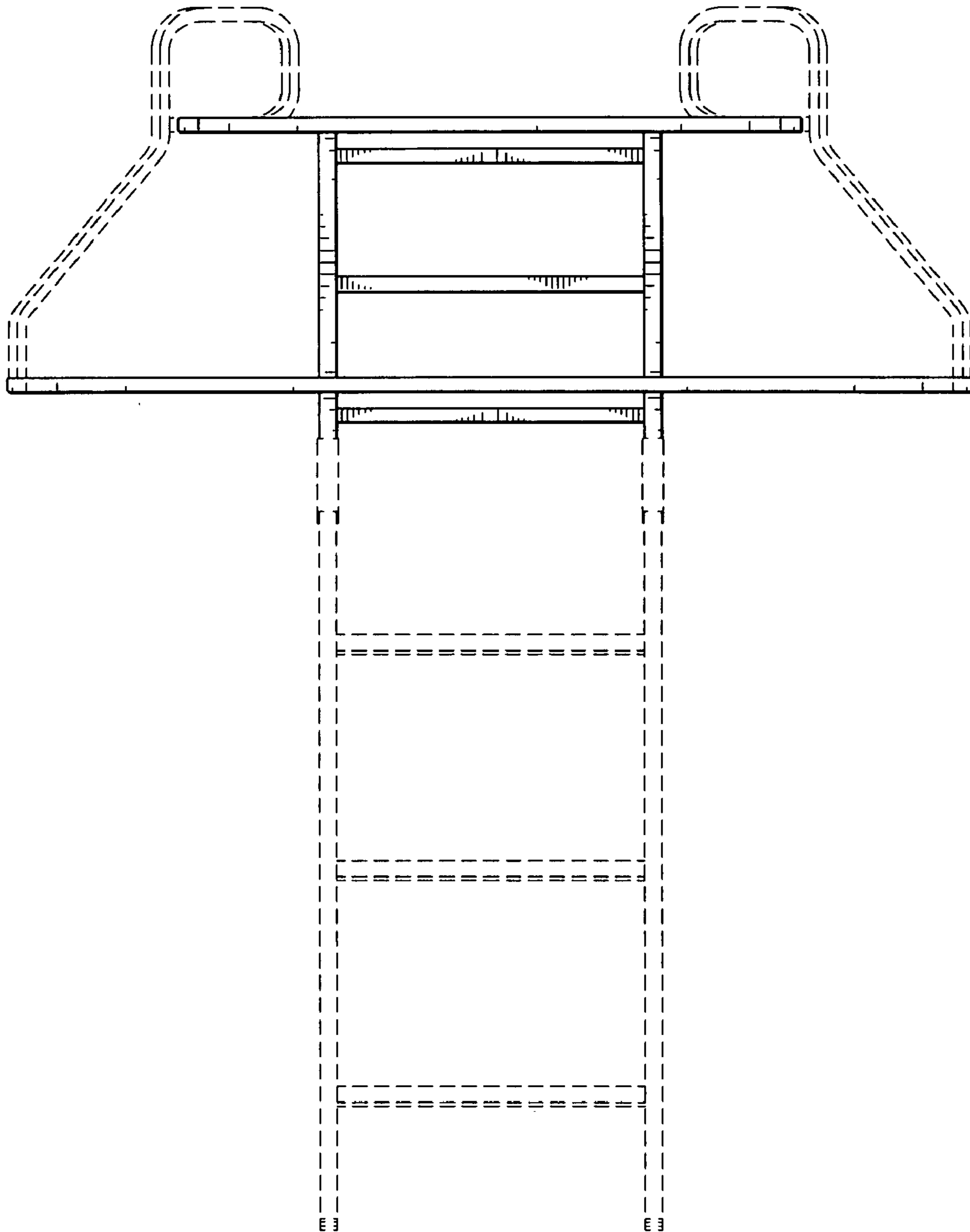


FIG. 2

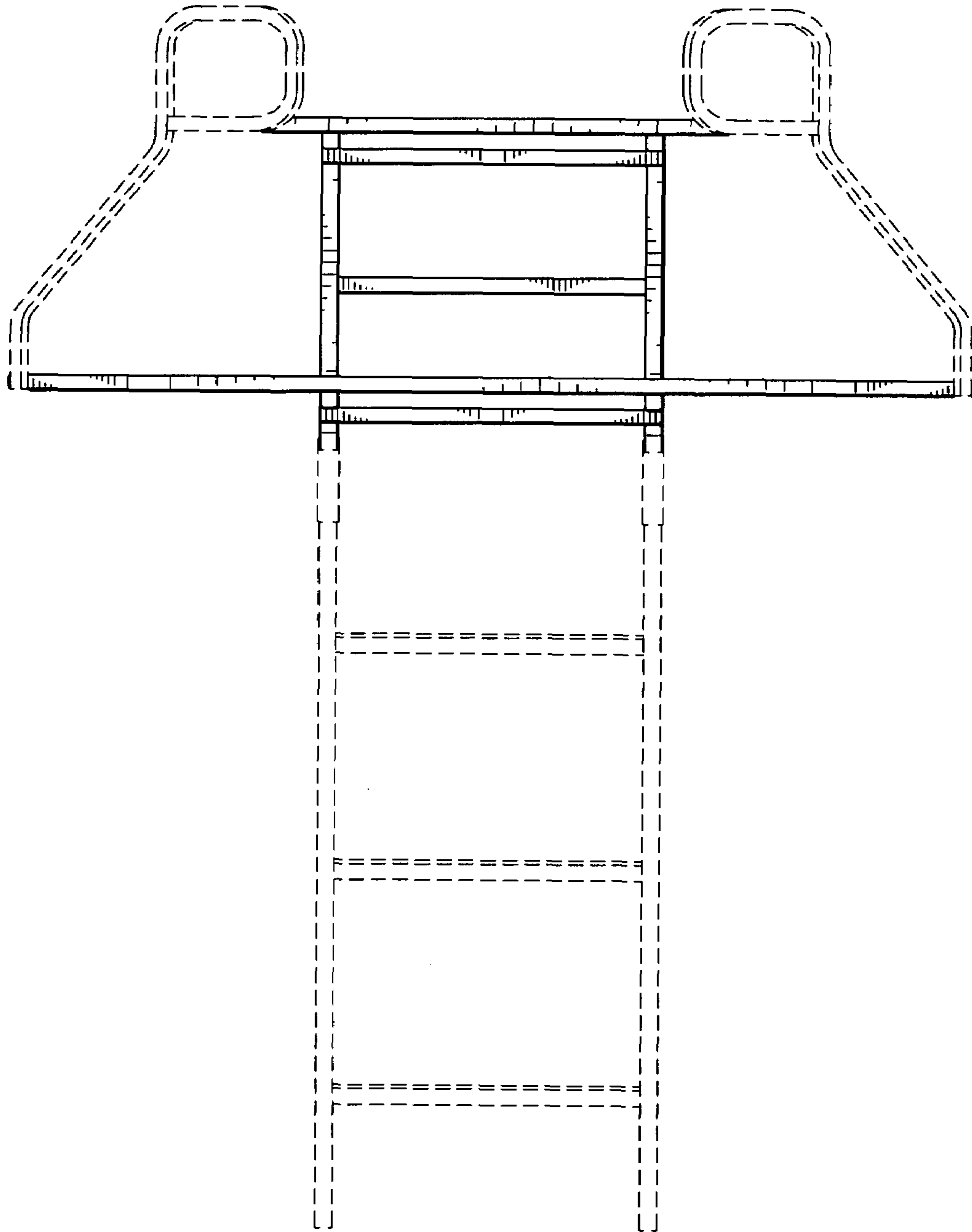


FIG. 3

FIG. 4

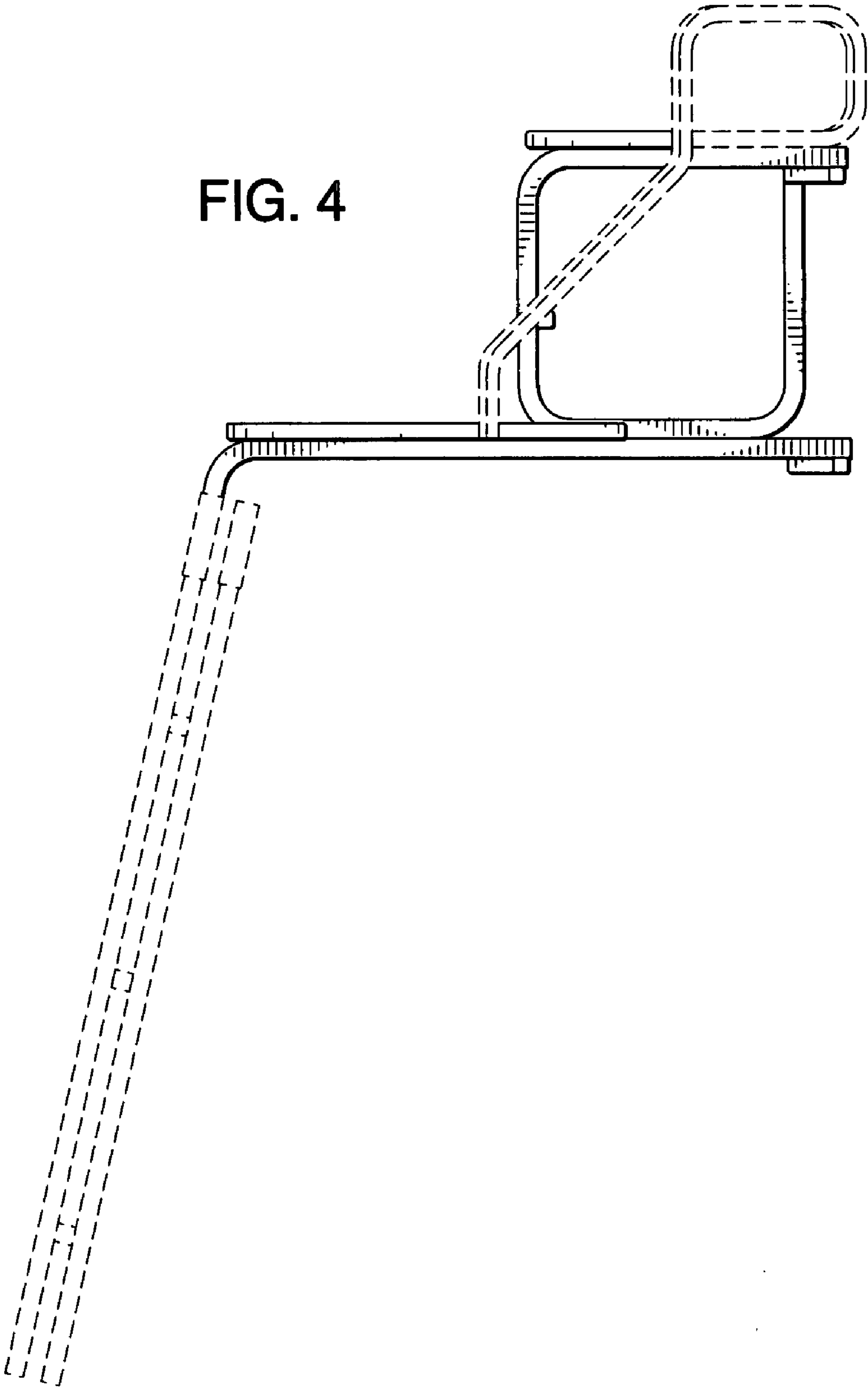
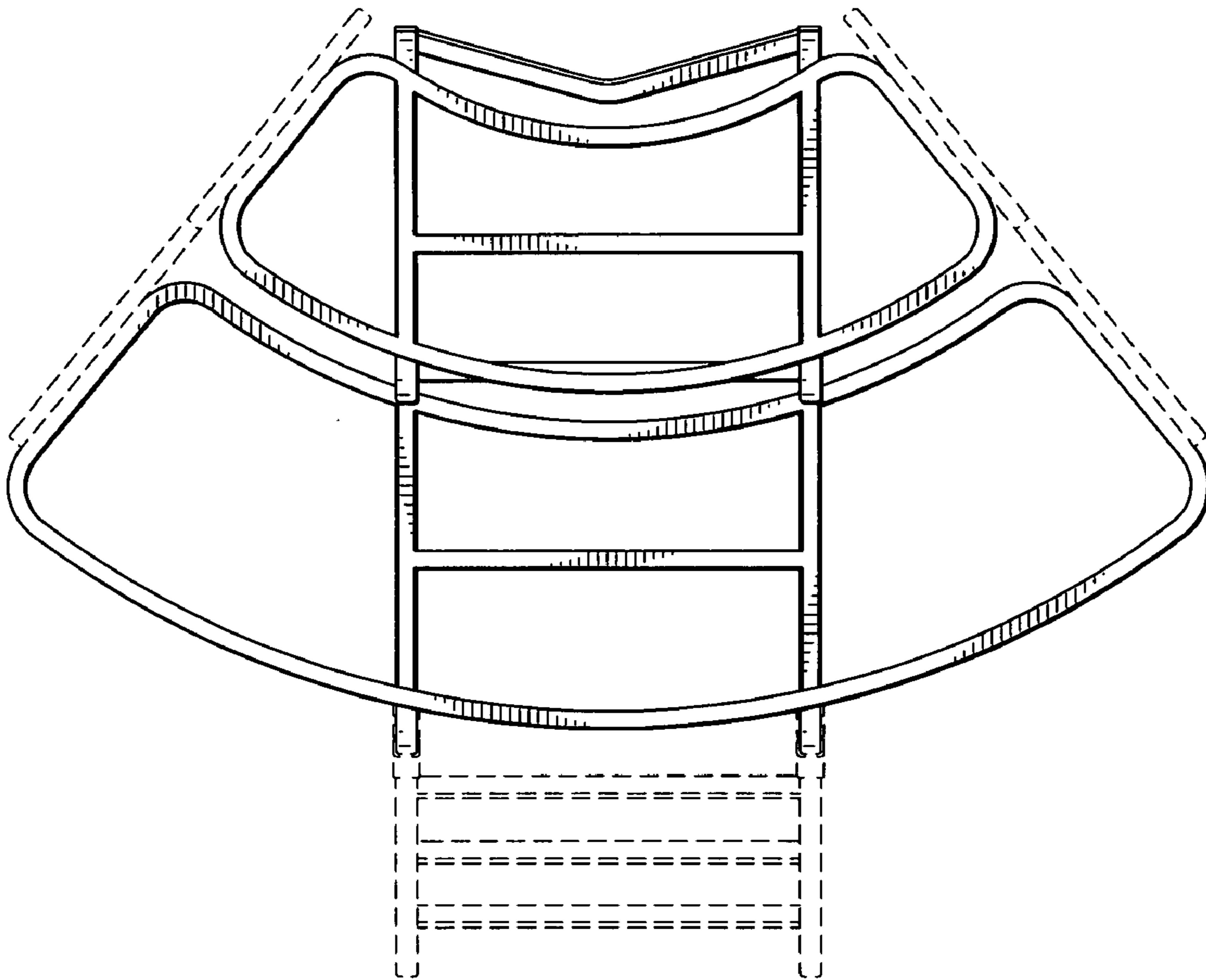


FIG. 5



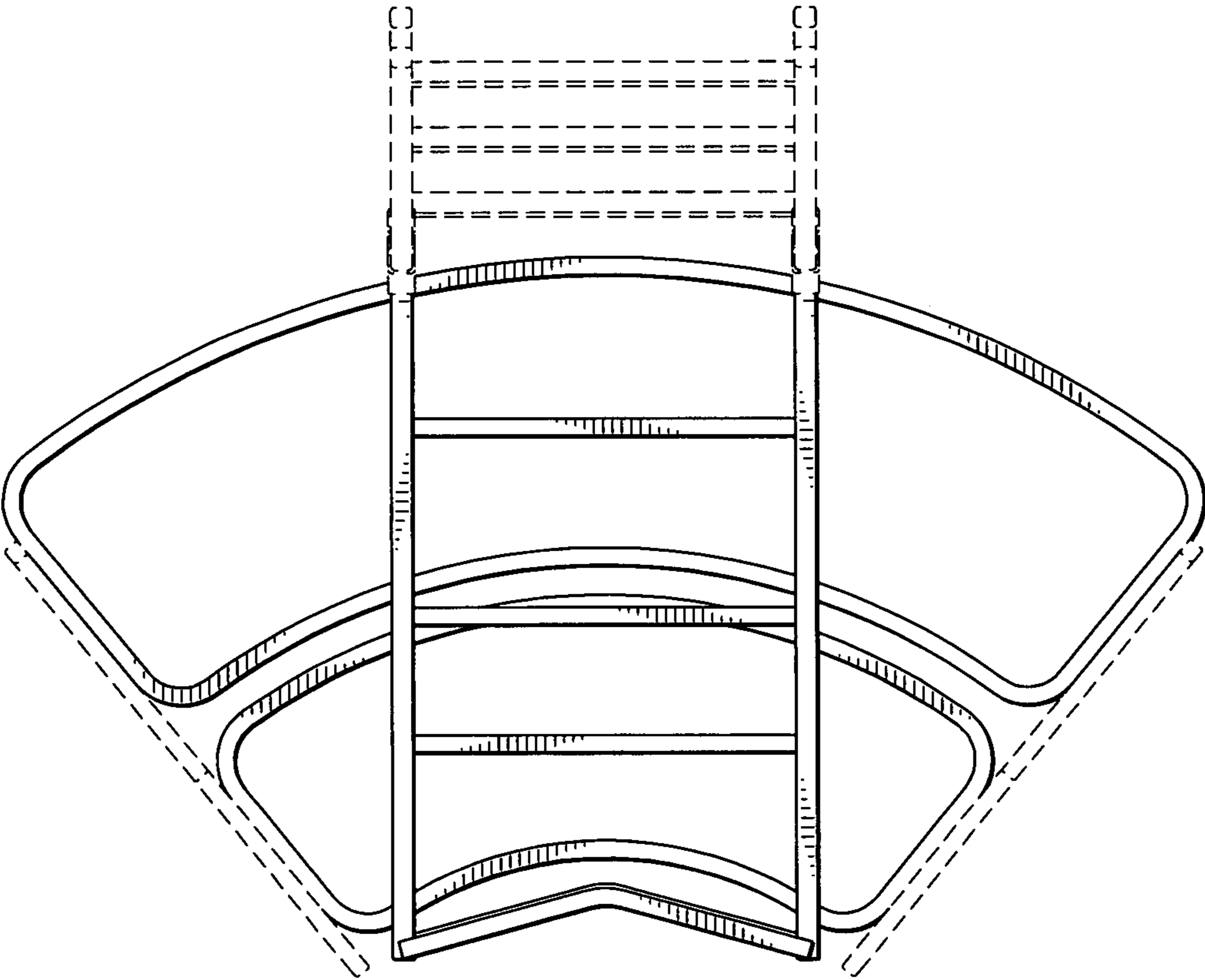


FIG. 6