



US00D558889S

(12) **United States Design Patent**
Doll et al.

(10) **Patent No.:** **US D558,889 S**
(45) **Date of Patent:** **** Jan. 1, 2008**

(54) **MEDICAL TENSIONING DEVICE**
(75) Inventors: **Frank Doll**, Duerbheim (DE);
Christian Walter, Emmingen-Liptingen (DE)

EP 0 615 725 A1 9/1994
WO WO 99/35974 7/1999

(73) Assignee: **Karl Storz GmbH & Co. KG** (DE)

OTHER PUBLICATIONS

Anlegen Einer Neovagina, J. Keckstein, pp. 332-338.
International Search Report dated Feb. 3, 2005.

(**) Term: **14 Years**

* cited by examiner

(21) Appl. No.: **29/221,323**

Primary Examiner—Robert A. Delehanty
Assistant Examiner—Mark Cavanna

(22) Filed: **Jan. 13, 2005**

(74) *Attorney, Agent, or Firm*—St. Onge Steward Johnston & Reens LLC

(30) **Foreign Application Priority Data**

(57) **CLAIM**

Jul. 14, 2004 (EM) 000202767

We claim the ornamental design for medical tensioning device, as shown and described in the drawings.

(51) **LOC (8) Cl.** **24-02**

(52) **U.S. Cl.** **D24/232**

(58) **Field of Classification Search** D24/224,
D24/232; 604/500; 606/215–218, 233
See application file for complete search history.

DESCRIPTION

(56) **References Cited**

FIG. 1 is a perspective top view of a medical tensioning device in accordance with the new design;

U.S. PATENT DOCUMENTS

FIG. 2 is a side elevational view of the medical tensioning device of FIG. 1;

3,650,274	A	3/1972	Edwards et al.	128/335
3,831,608	A *	8/1974	Kletschka et al.	606/233
4,667,675	A *	5/1987	Davis	606/233
4,950,284	A *	8/1990	Green et al.	606/216
5,127,412	A *	7/1992	Cosmetto et al.	606/218
5,441,540	A *	8/1995	Kim	606/216
5,649,960	A	7/1997	Pavletic	606/216
6,120,525	A	9/2000	Westcott	606/216
6,471,715	B1 *	10/2002	Weiss	606/216
7,208,006	B2 *	4/2007	Fleischmann	606/218
2004/0034330	A1 *	2/2004	Bierman et al.	604/500

FIG. 3 is an opposite side view of the medical tensioning device of FIG. 1;

FIG. 4 is an end elevational view of the medical tensioning device of FIG. 1;

FIG. 5 is an opposite end elevational view of the medical tensioning device of FIG. 1;

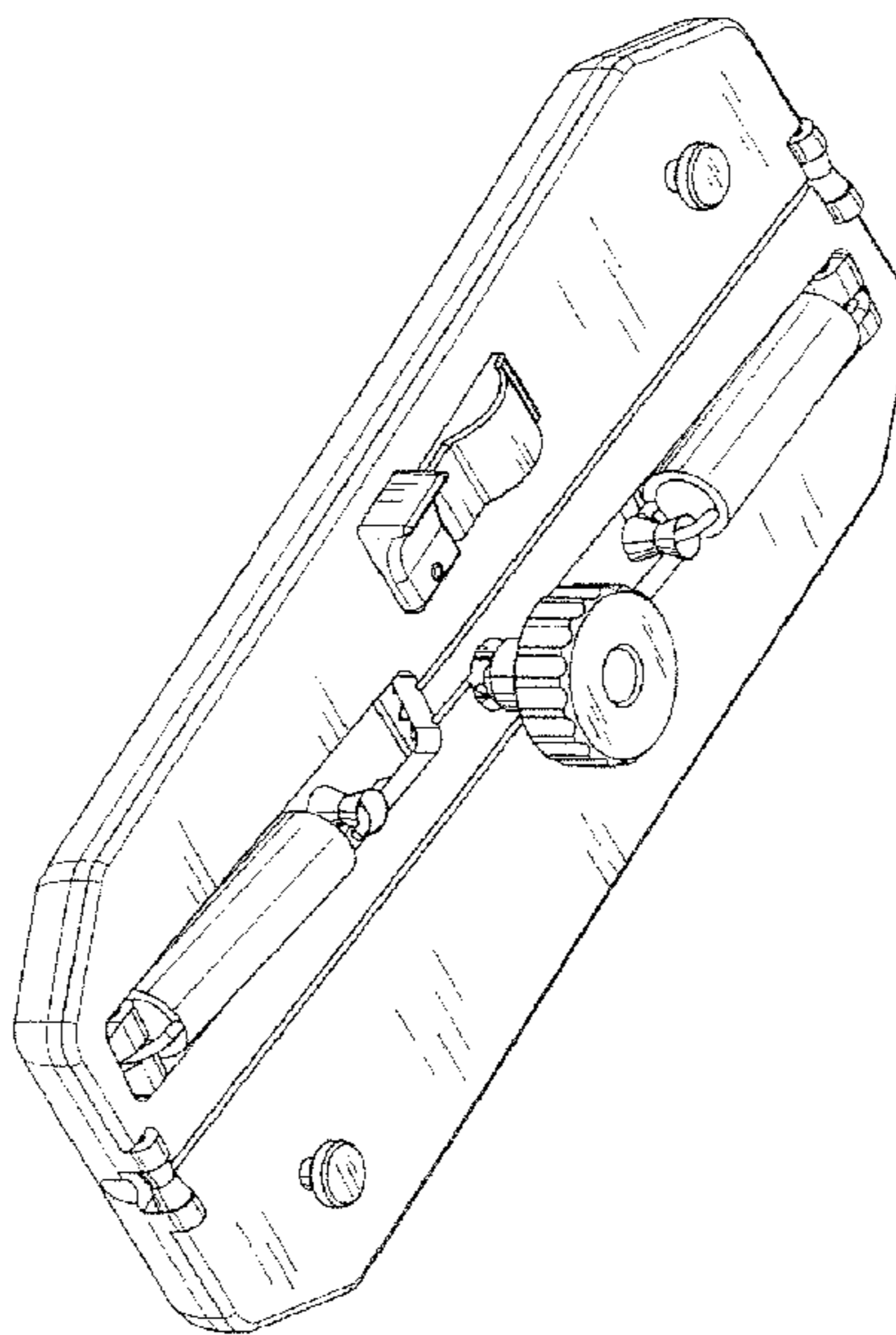
FIG. 6 is top plan view of the medical tensioning device of FIG. 1; and,

FIG. 7 is a bottom plan view of the medical tensioning device of FIG. 1.

FOREIGN PATENT DOCUMENTS

DE 4243492 A1 9/1993

1 Claim, 7 Drawing Sheets



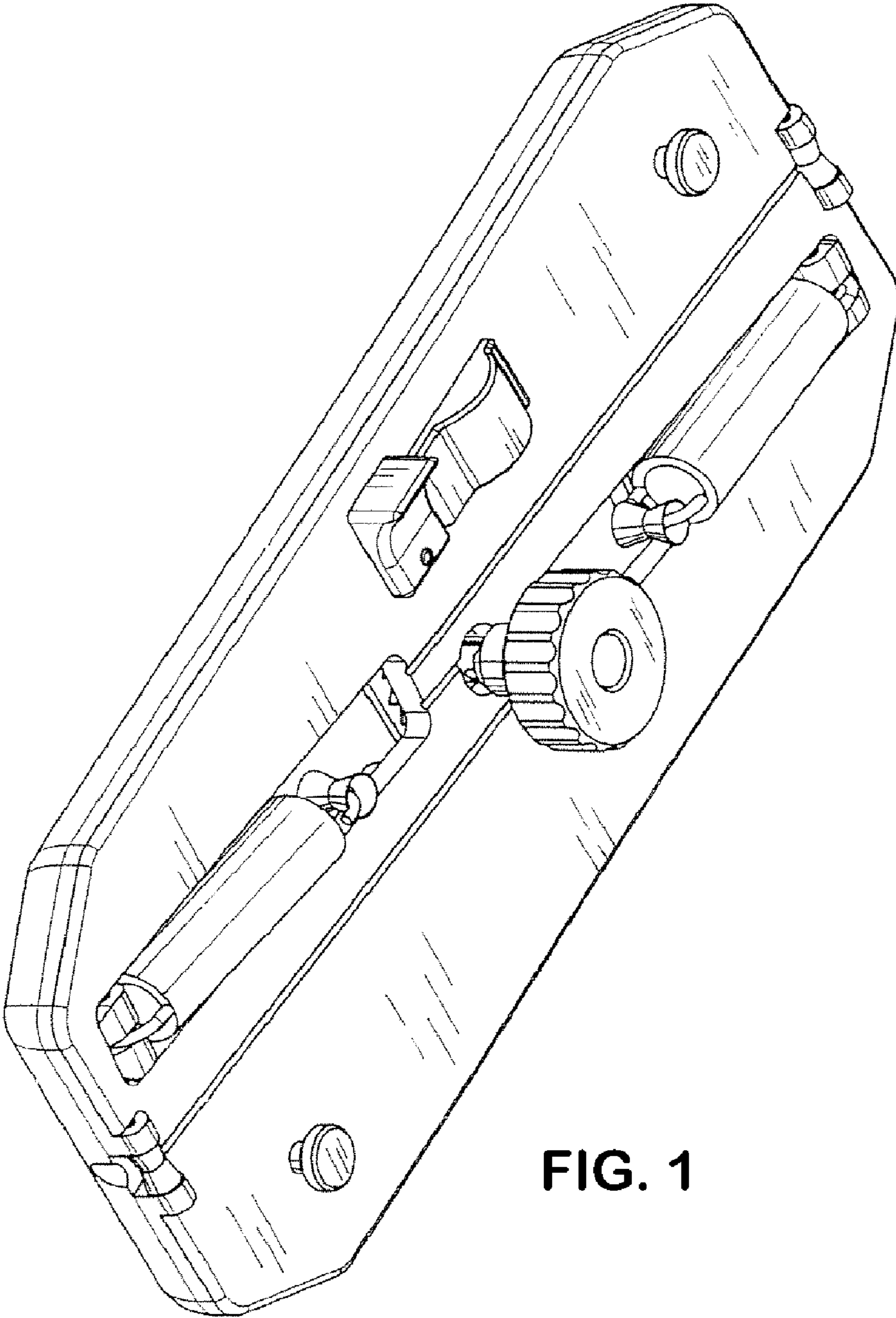


FIG. 1

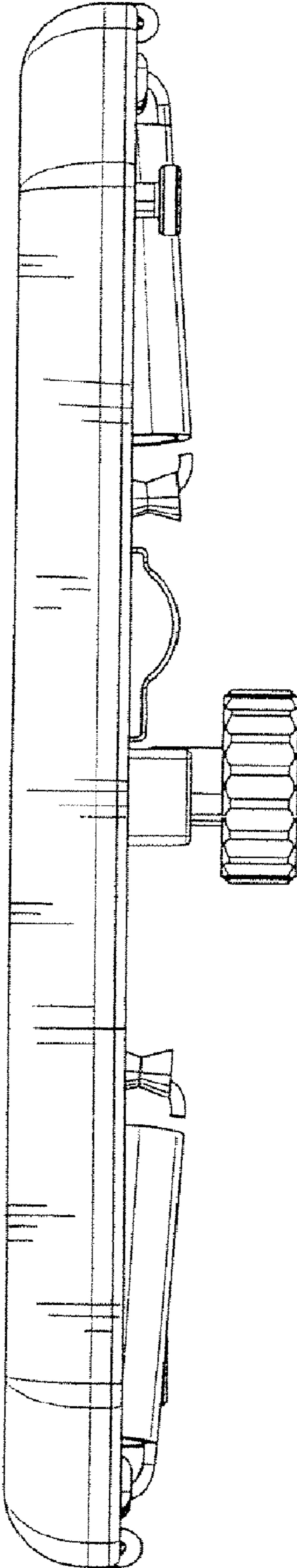


FIG. 2

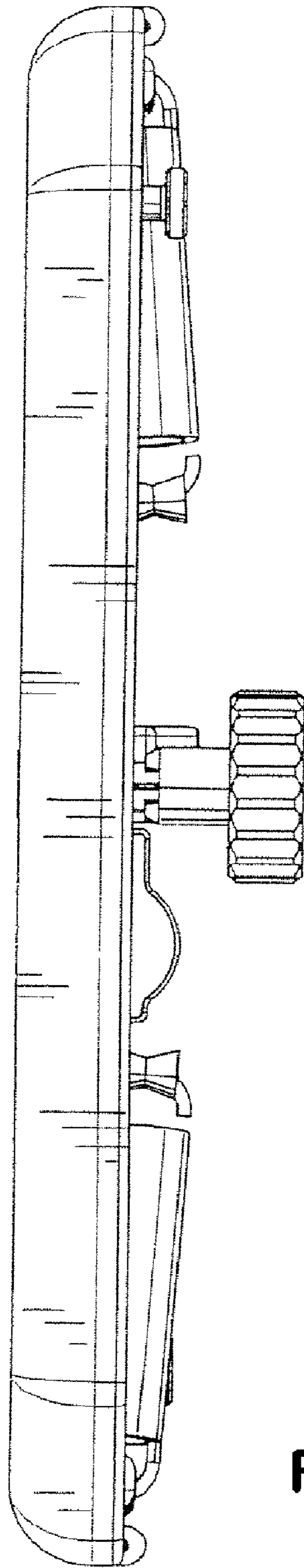


FIG. 3

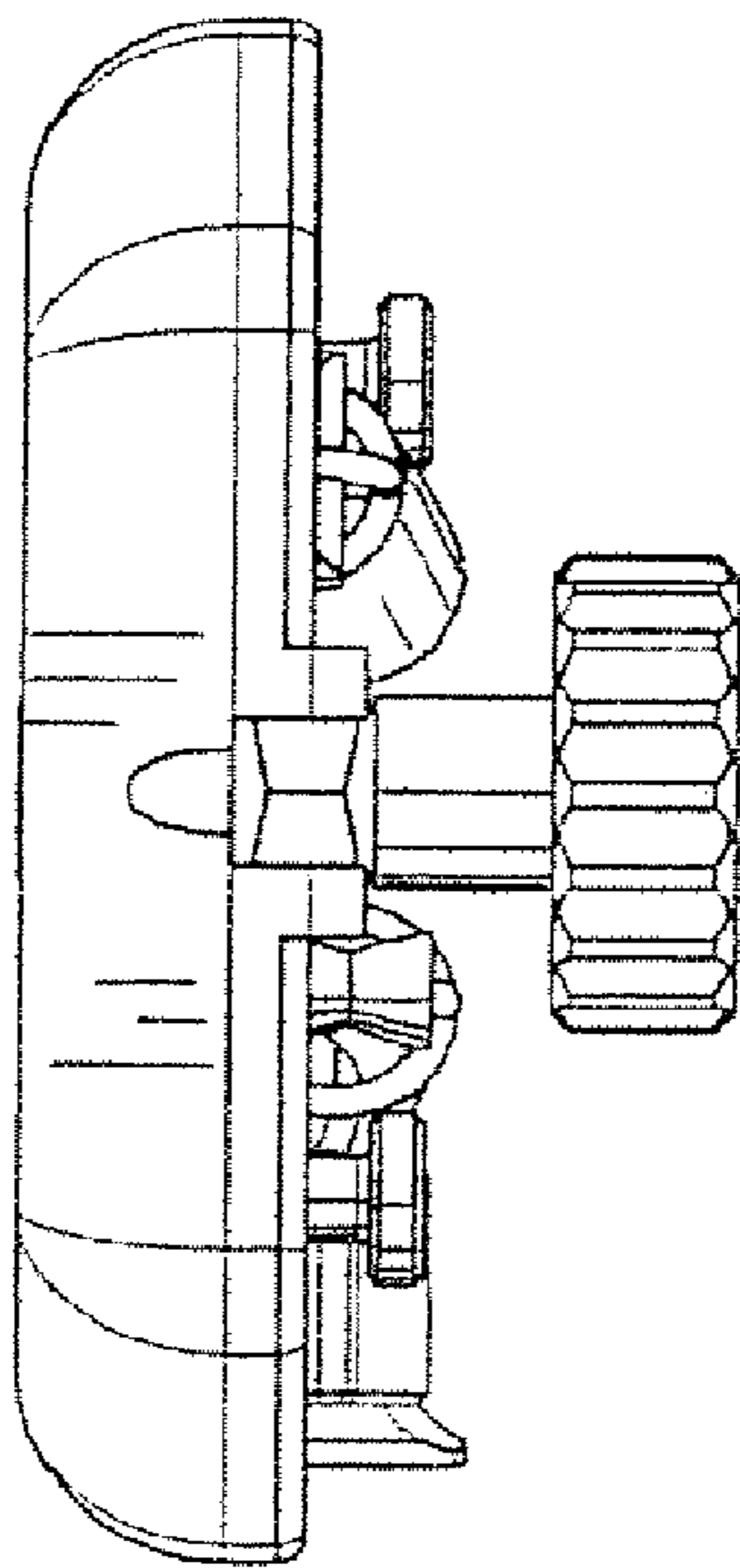


FIG. 4

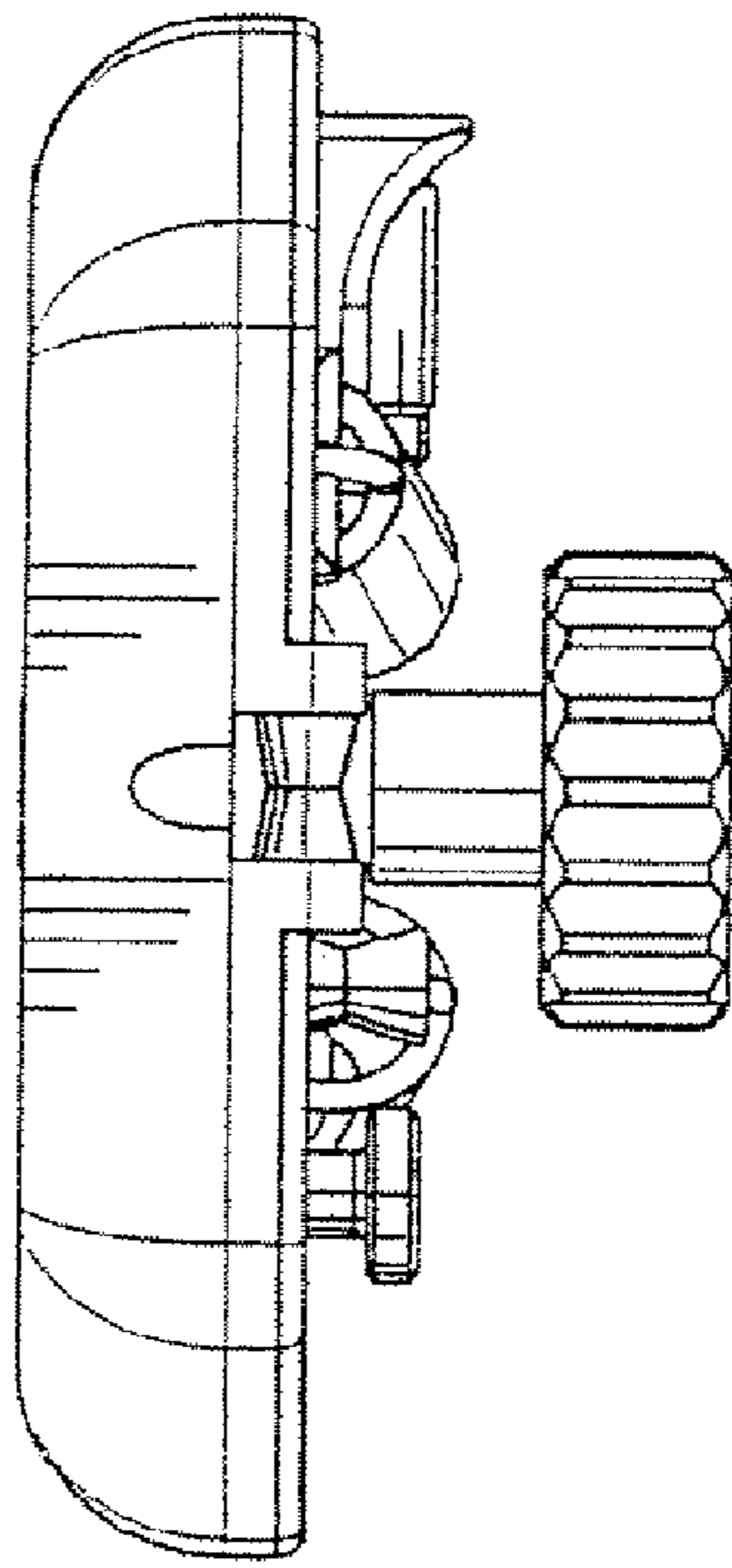


FIG. 5

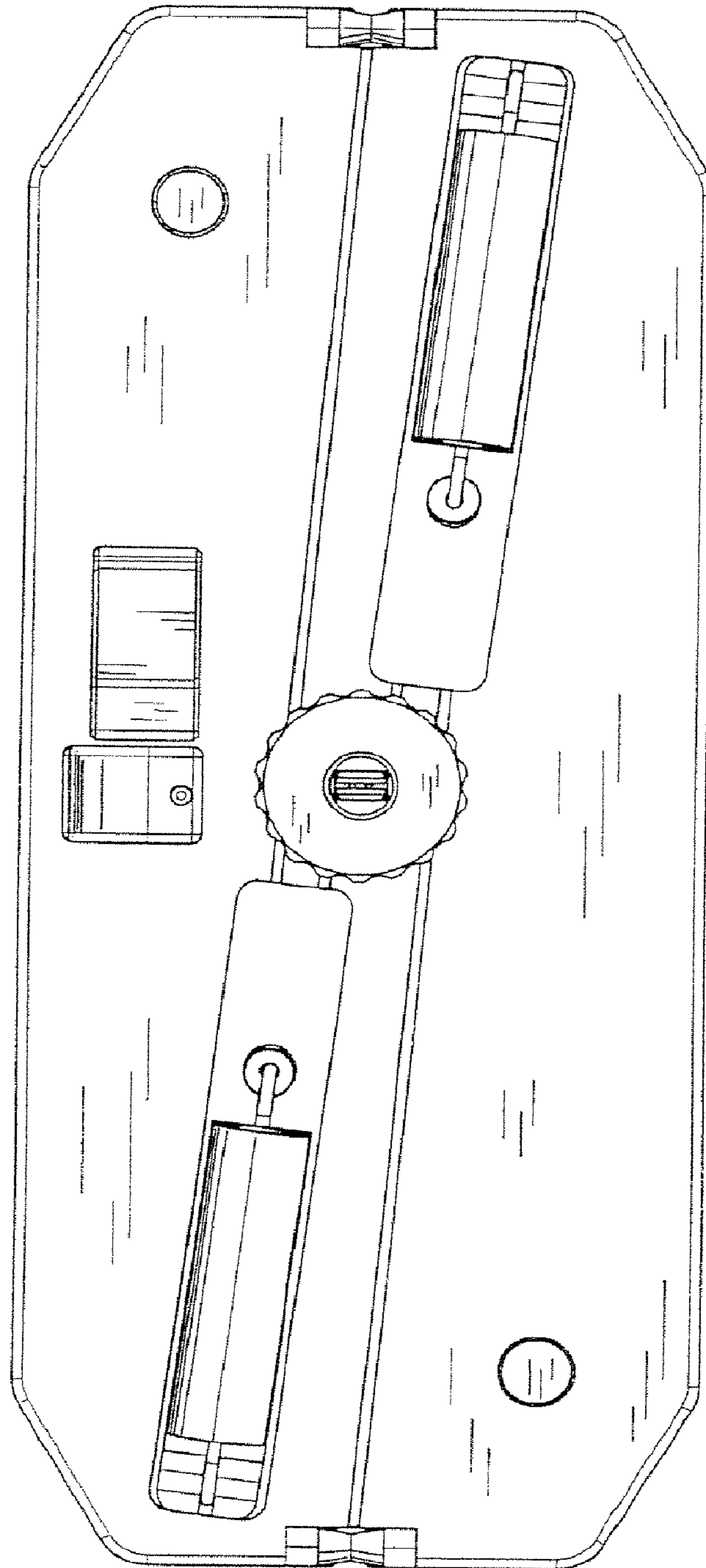


FIG. 6

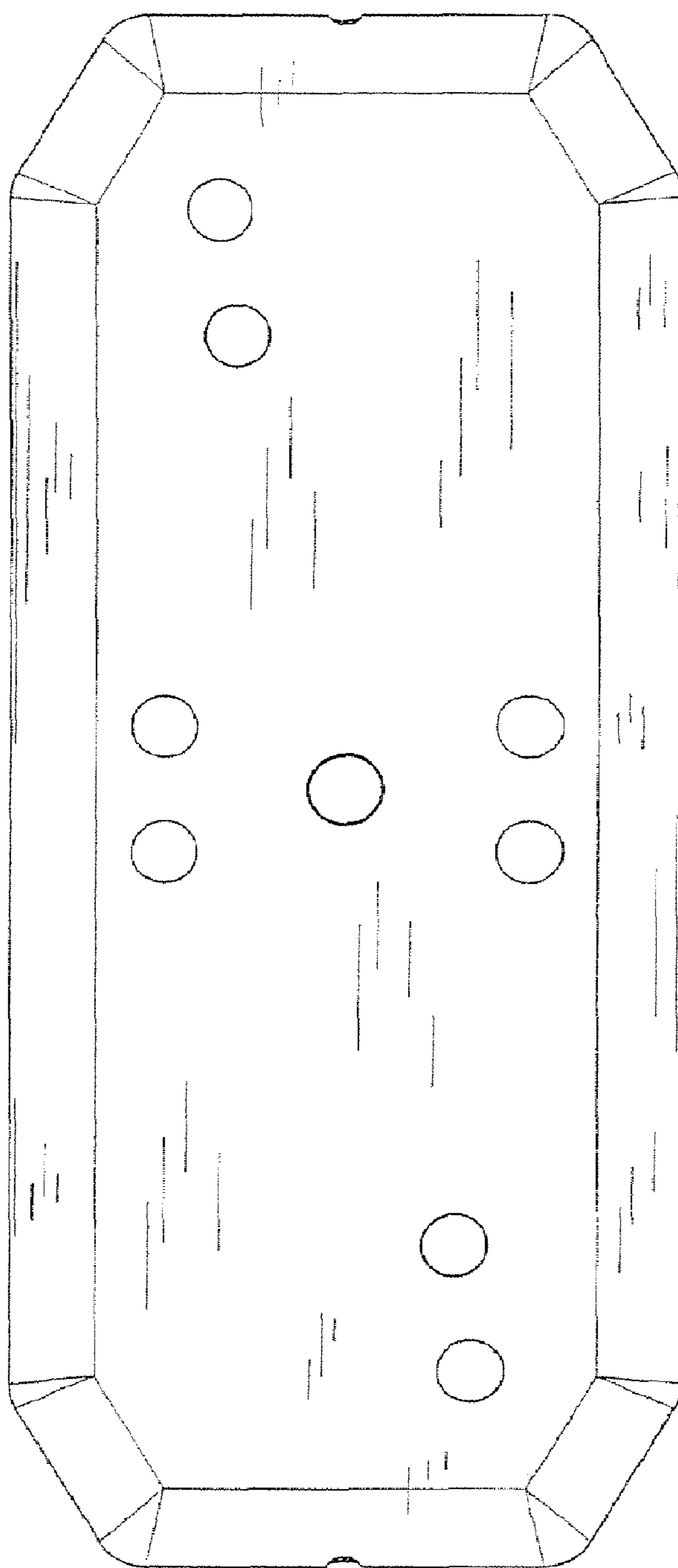


FIG. 7