



US00D558885S

(12) **United States Design Patent**
Trizzino

(10) **Patent No.:** **US D558,885 S**

(45) **Date of Patent:** **** *Jan. 1, 2008**

(54) **WATER-FILLED PACIFER**

(76) Inventor: **Kimberly A. Trizzino**, 230 Cherrywood Dr., Maitland, FL (US) 32751

(*) Notice: This patent is subject to a terminal disclaimer.

(**) Term: **14 Years**

(21) Appl. No.: **29/237,340**

(22) Filed: **Aug. 31, 2005**

(51) **LOC (8) Cl.** **24-04**

(52) **U.S. Cl.** **D24/194**

(58) **Field of Classification Search** D24/193-99, D24/215; D7/393-4; D9/436, 456, 526; 215/11.1-11.6, 387, 392; 248/102-7
See application file for complete search history.

(56) **References Cited**

U.S. PATENT DOCUMENTS

2,888,929	A *	6/1959	Bray	606/236
D249,161	S *	8/1978	Rohrig	D24/194
4,381,785	A *	5/1983	Robbins	606/236
D285,839	S *	9/1986	Roehrig	D24/194
4,861,678	A *	8/1989	Kassabian	428/542.4
4,909,253	A *	3/1990	Cook et al.	606/234
D312,312	S *	11/1990	Herritz	D24/194
5,160,344	A	11/1992	Werton		
D334,064	S *	3/1993	Fitzpatrick	D24/194
5,197,974	A	3/1993	Scarpelli et al.		
D340,525	S *	10/1993	Rohrig	D24/194
5,275,619	A *	1/1994	Engbretson et al.	606/236
5,300,089	A	4/1994	Sassin		
D353,461	S	12/1994	Byrd		
5,403,349	A *	4/1995	Rohrig	606/234
D376,014	S *	11/1996	McKenney	D24/194

D380,836	S *	7/1997	Fitzpatrick et al.	D24/194
D391,641	S *	3/1998	Fields et al.	D24/194
D393,074	S *	3/1998	Fields et al.	D24/194
5,759,195	A *	6/1998	Fields et al.	606/236
5,766,223	A	6/1998	Johnson		
5,782,868	A	7/1998	Moore, Jr. et al.		
D413,387	S *	8/1999	Fitzpatrick et al.	D24/194
D414,267	S *	9/1999	Calandro, Jr.	D24/194
5,954,749	A *	9/1999	Fields et al.	606/234
D430,675	S *	9/2000	Roehrig	D24/194
D441,083	S *	4/2001	Roehrig	D24/194
D450,126	S *	11/2001	Fitzpatrick et al.	D24/194
D453,379	S *	2/2002	Roehrig	D24/194
6,514,275	B2 *	2/2003	Rohrig	606/234
6,557,548	B1 *	5/2003	Dickson	128/200.24
6,695,869	B2 *	2/2004	Fitzpatrick et al.	606/234
D501,256	S *	1/2005	Roehrig	D24/194
7,029,491	B2 *	4/2006	Davis	606/234
D520,640	S *	5/2006	Pils et al.	D24/194

* cited by examiner

Primary Examiner—Louis S. Zarfes

Assistant Examiner—Susan E. Krakower

(57) **CLAIM**

The ornamental design for a water-filled pacifier, as shown and described.

DESCRIPTION

FIG. 1 is a top plan view of a water-filled pacifier showing my new design;

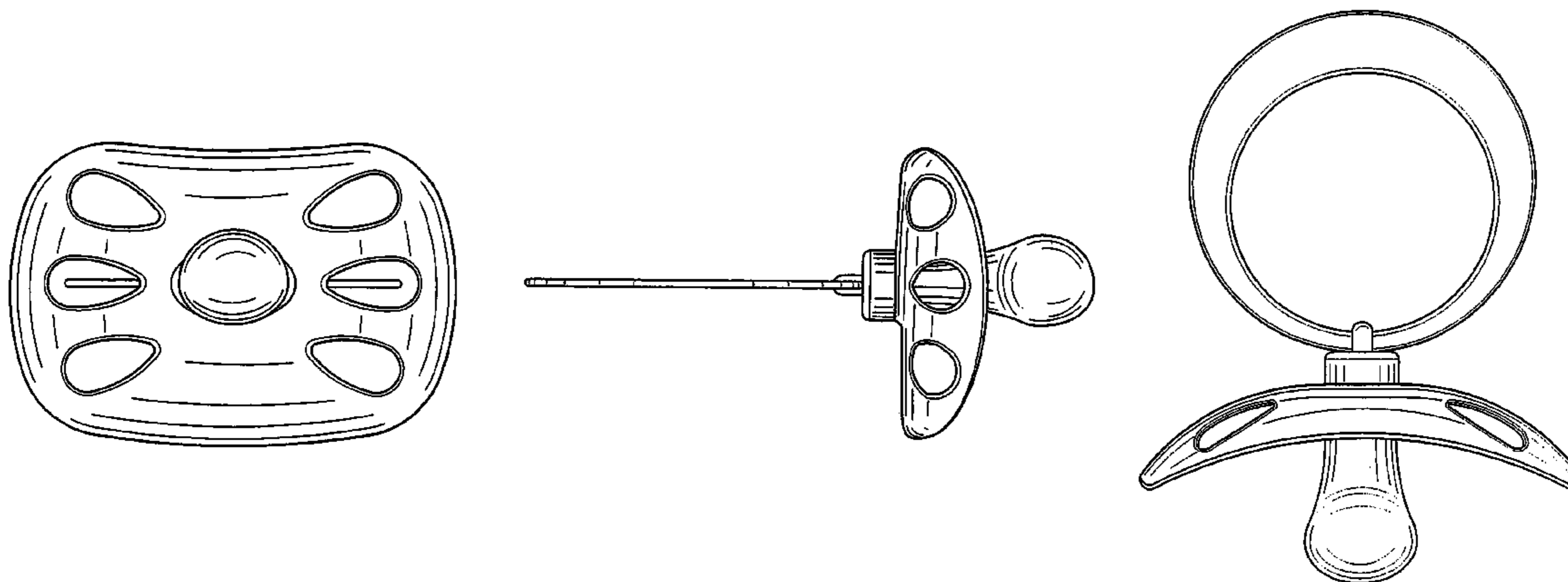
FIG. 2 is a bottom plan view thereof;

FIG. 3 is a side elevational view thereof;

FIG. 4 is a front elevational view thereof; and,

FIG. 5 is a rear elevational view thereof.

1 Claim, 2 Drawing Sheets



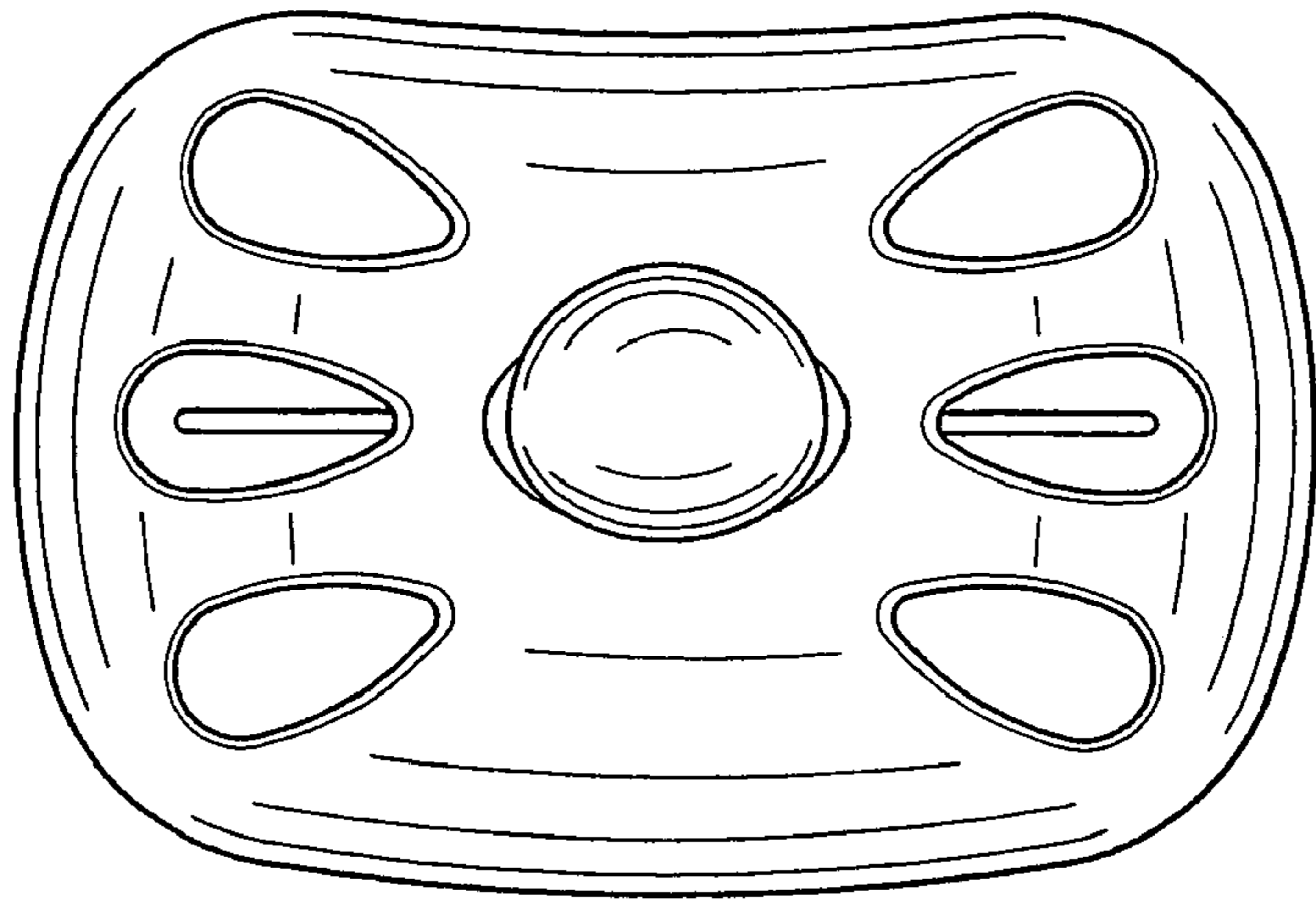


FIG. 1

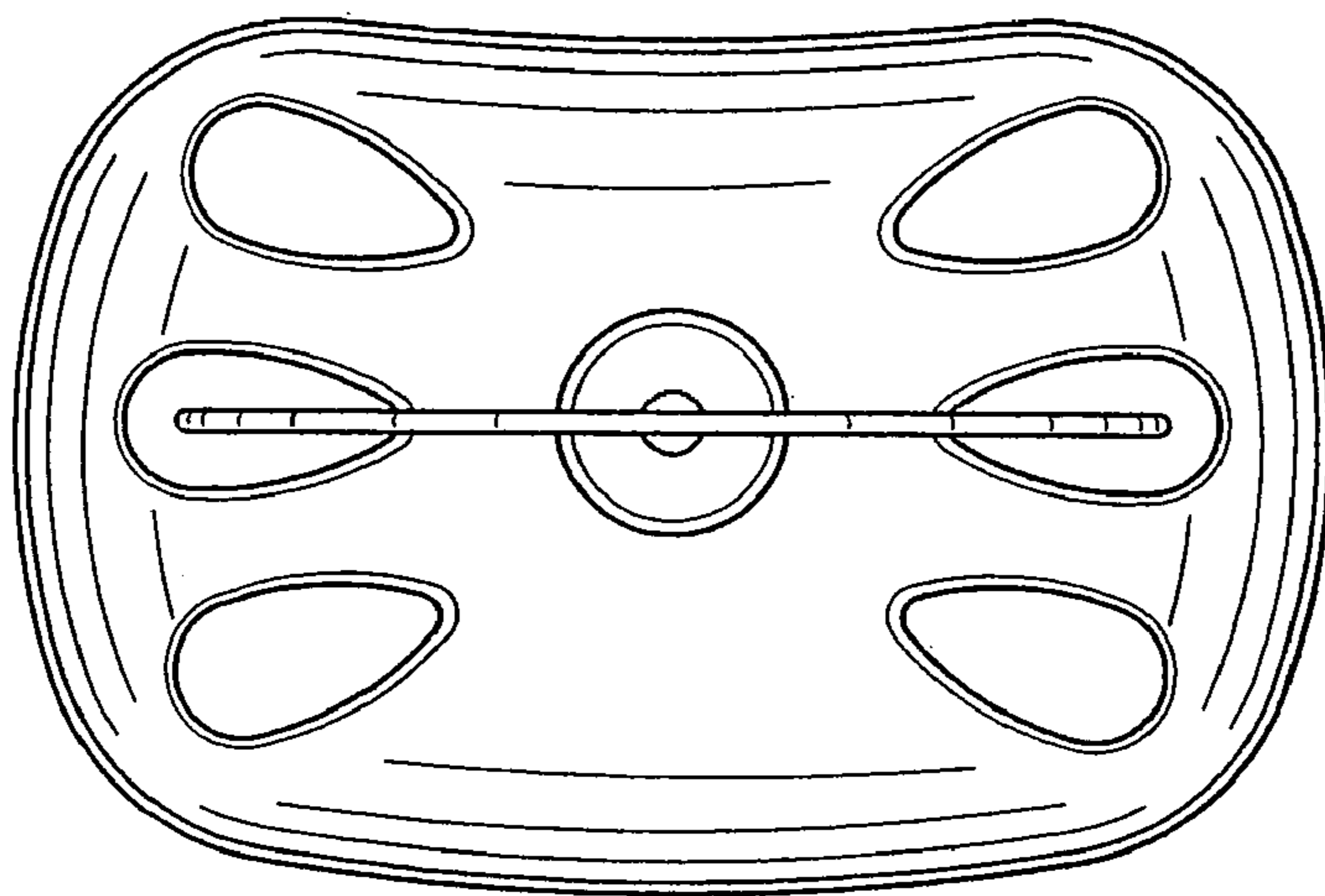


FIG. 2

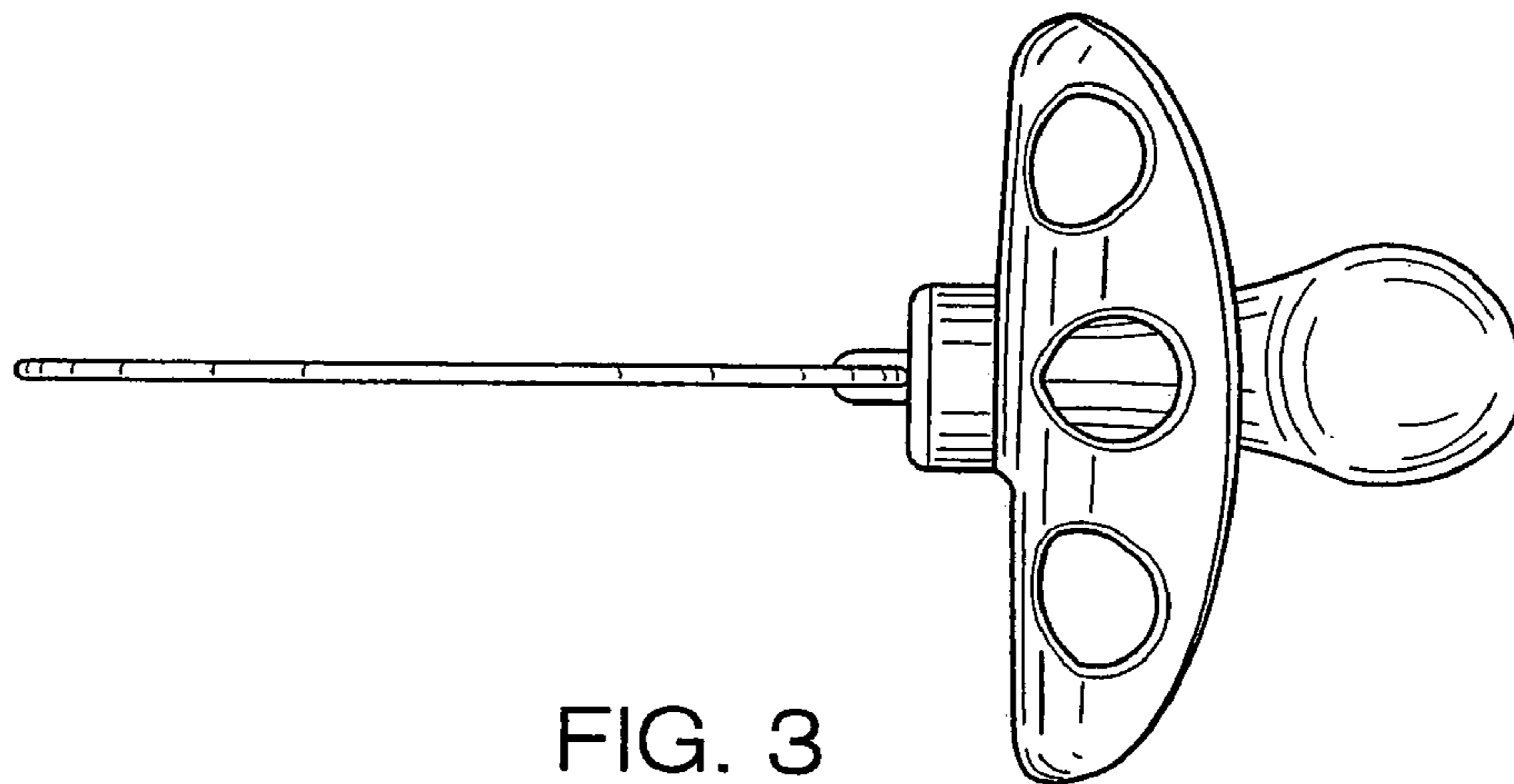


FIG. 3

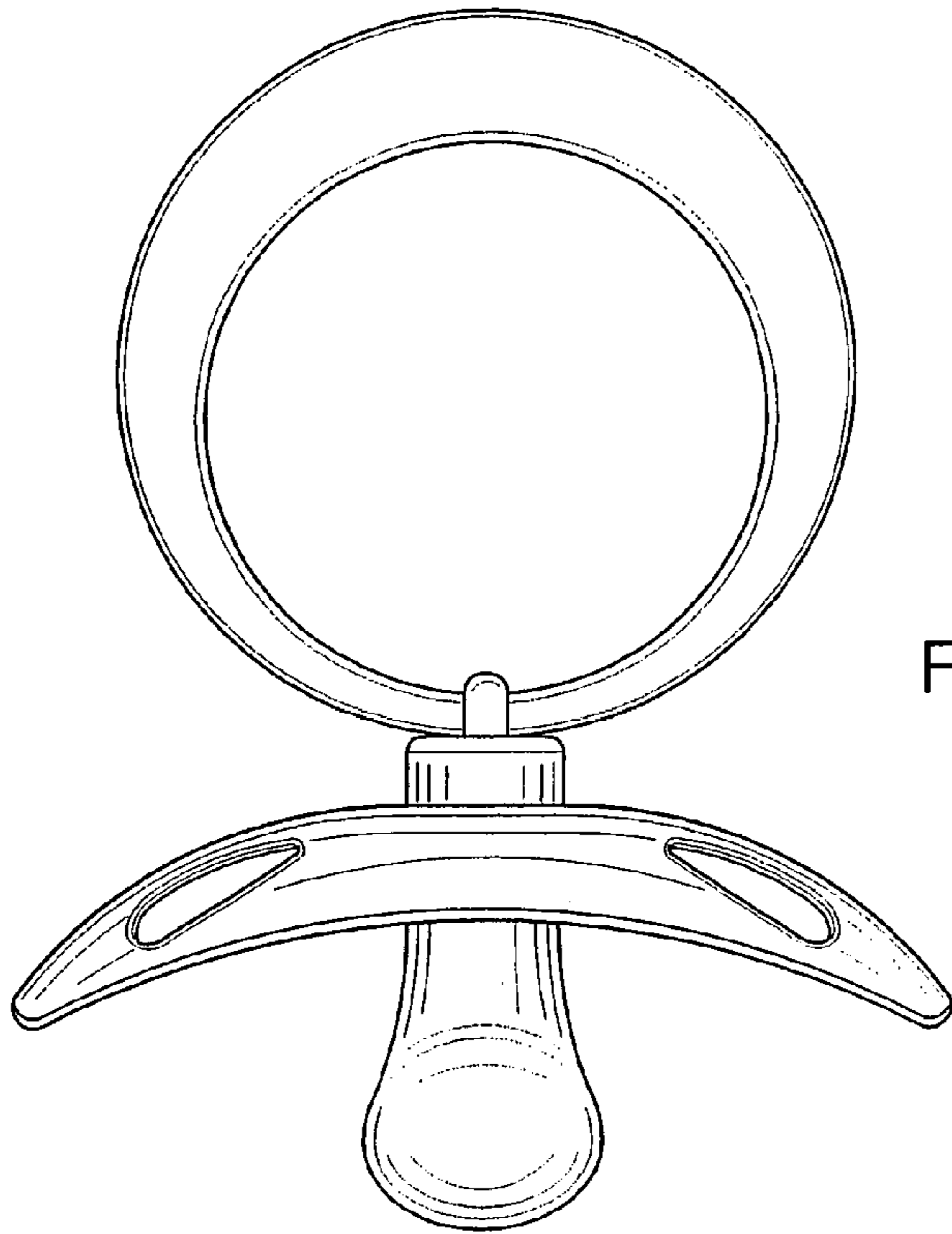


FIG. 4

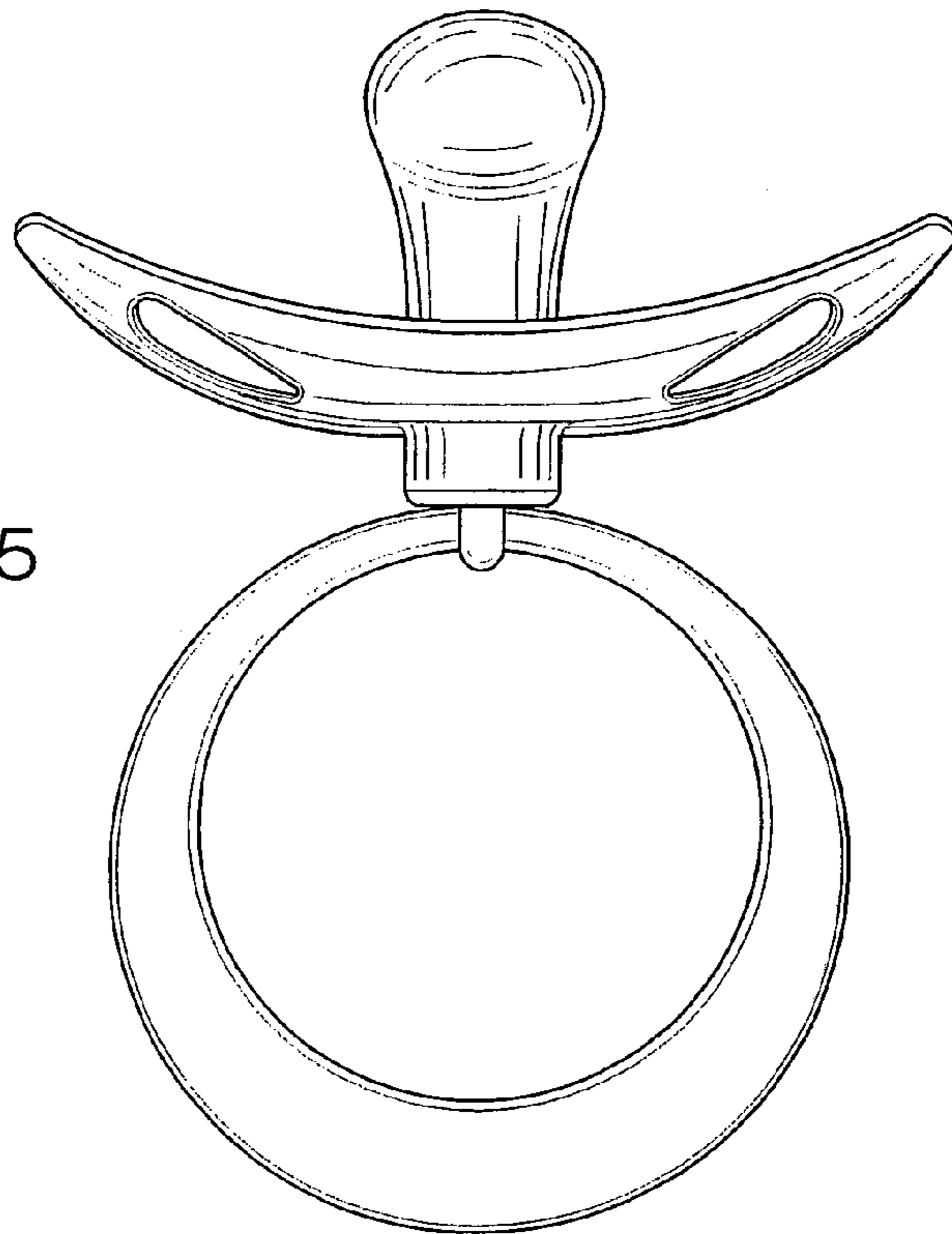


FIG. 5