



US00D558884S

(12) **United States Design Patent**  
**Ingimundarson et al.**

(10) **Patent No.:** **US D558,884 S**

(45) **Date of Patent:** **\*\* Jan. 1, 2008**

(54) **KNEE BRACE**

(75) Inventors: **Arni Thor Ingimundarson**, Ladera Ranch, CA (US); **Palmi Einarsson**, San Juan Capistrano, CA (US)

(73) Assignee: **Ossur hf**, Reykjavik (IS)

(\*\*) Term: **14 Years**

(21) Appl. No.: **29/272,565**

(22) Filed: **Feb. 12, 2007**

(51) **LOC (8) Cl.** ..... **24-01**

(52) **U.S. Cl.** ..... **D24/190; D29/121.1**

(58) **Field of Classification Search** ..... D24/190–192,  
D24/200–215; 607/98, 108–111; D2/897,  
D2/905, 909–914; 602/14, 16, 26, 61, 62;  
D29/121.1

See application file for complete search history.

(56) **References Cited**

**U.S. PATENT DOCUMENTS**

D284,702 S	7/1986	Castillo	
4,940,044 A	7/1990	Castillo	
D318,736 S *	7/1991	Castillo	D24/190
5,230,697 A	7/1993	Castillo et al.	
5,288,287 A *	2/1994	Castillo et al.	602/16
D346,028 S	4/1994	Lengyel	
D357,070 S *	4/1995	Castillo	D24/190
D367,536 S	2/1996	Kilbey	
D370,261 S *	5/1996	Kilbey	D24/190
D370,533 S *	6/1996	Kilbey	D24/190
5,743,865 A *	4/1998	Townsend	602/26
5,782,780 A *	7/1998	Mason et al.	602/6
5,891,071 A	4/1999	Stearns et al.	
D416,624 S *	11/1999	Nauert	D24/190
D431,295 S *	9/2000	Rothenberg	D24/190
D433,756 S *	11/2000	Castillo	D24/190
RE37,297 E *	7/2001	Smith, III	602/26
6,290,664 B1 *	9/2001	Nauert	602/16

6,461,318 B2 *	10/2002	Freeman et al.	602/23
6,464,657 B1	10/2002	Castillo	
6,793,641 B2	9/2004	Freeman et al.	
6,878,126 B2	4/2005	Nelson et al.	
7,044,925 B2	5/2006	Castillo et al.	
2004/0097859 A1	5/2004	Stearns	
2006/0167394 A1	7/2006	Ceriani et al.	

**OTHER PUBLICATIONS**

Innovation Sports, Products, Knee, OTS “Morph”, p. 1.  
Innovation Sports, Products, Knee, OTS “PCL”, p. 1.  
Innovation Sports, Products, Knee, OTS “Aspire”, p. 1.  
Innovation Sports, Products, Knee, OTS “Edge”, p. 1.

\* cited by examiner

*Primary Examiner*—Carol Rademaker

*Assistant Examiner*—Susan E Krakower

(74) *Attorney, Agent, or Firm*—Bacon & Thomas, PLLC

(57) **CLAIM**

The ornamental design for a knee brace, as shown and described.

**DESCRIPTION**

FIG. 1 is a perspective view of a knee brace showing our new design;

FIG. 2 is a first side elevational view of the brace of FIG. 1;

FIG. 3 is a second side elevational view of the brace of FIG. 1;

FIG. 4 is a front elevational view of the brace of FIG. 1;

FIG. 5 is a rear elevational view of the brace of FIG. 1;

FIG. 6 is a top plan view of the brace of FIG. 1; and,

FIG. 7 is a bottom plan view of the brace of FIG. 1.

The broken line showing of straps and pads is included for the purpose of illustrating portions of the article and forms no part of the claimed design.

**1 Claim, 6 Drawing Sheets**

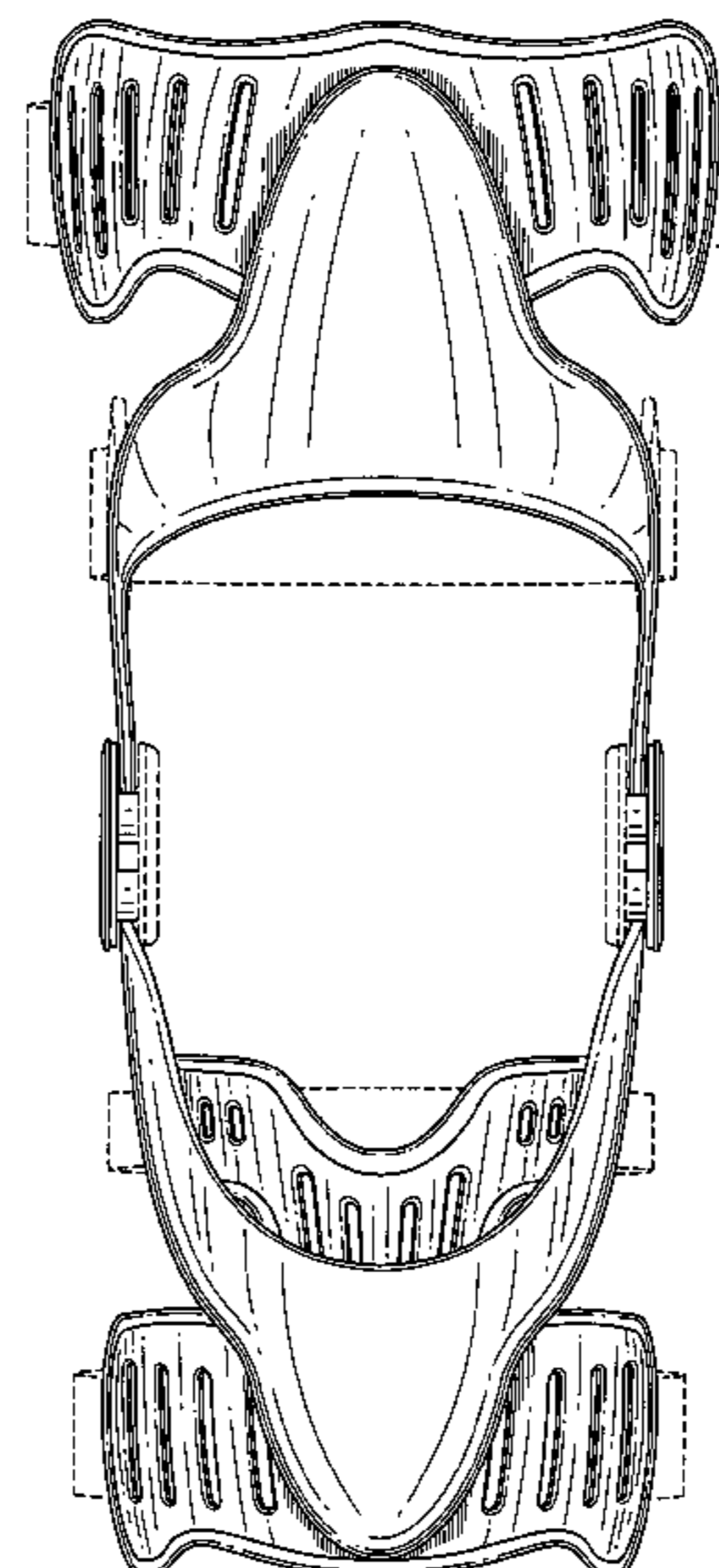
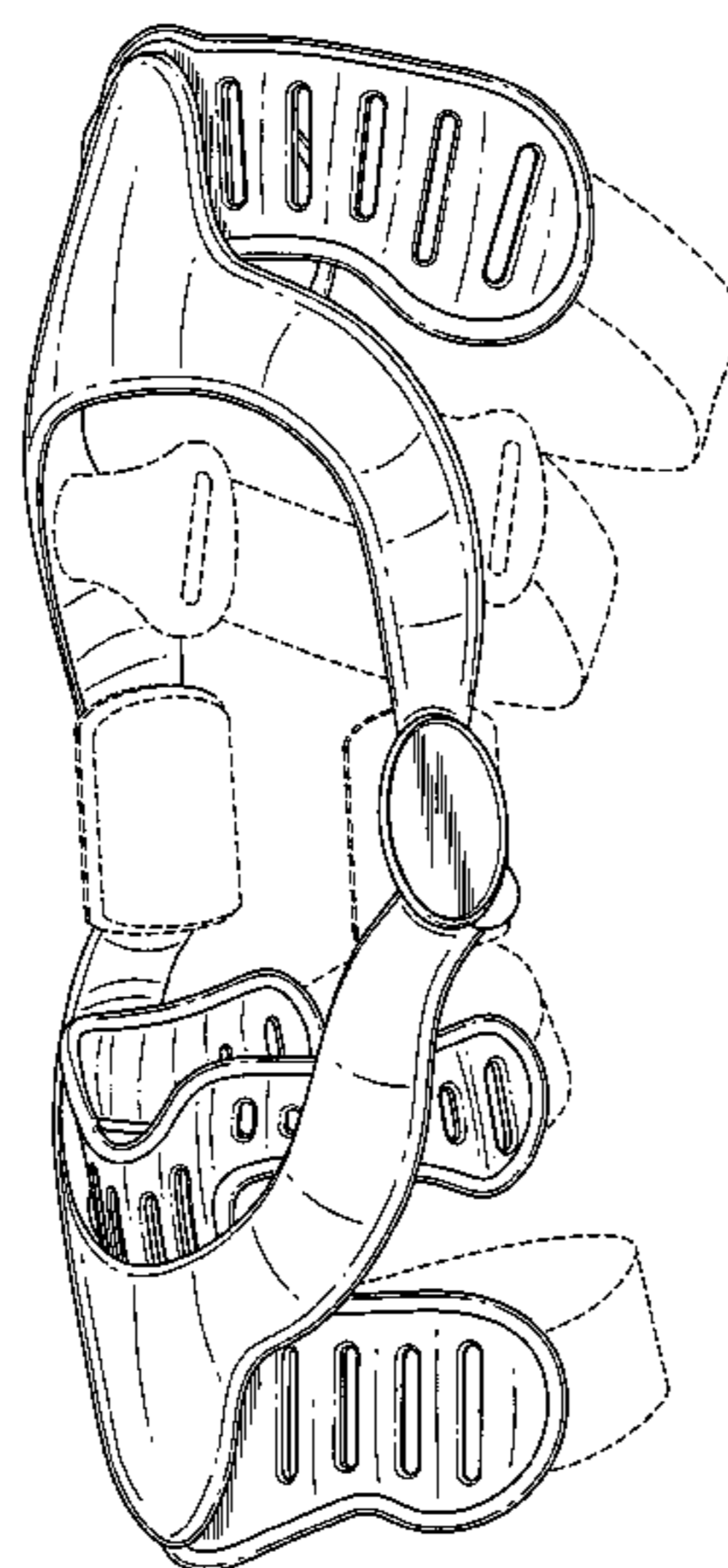
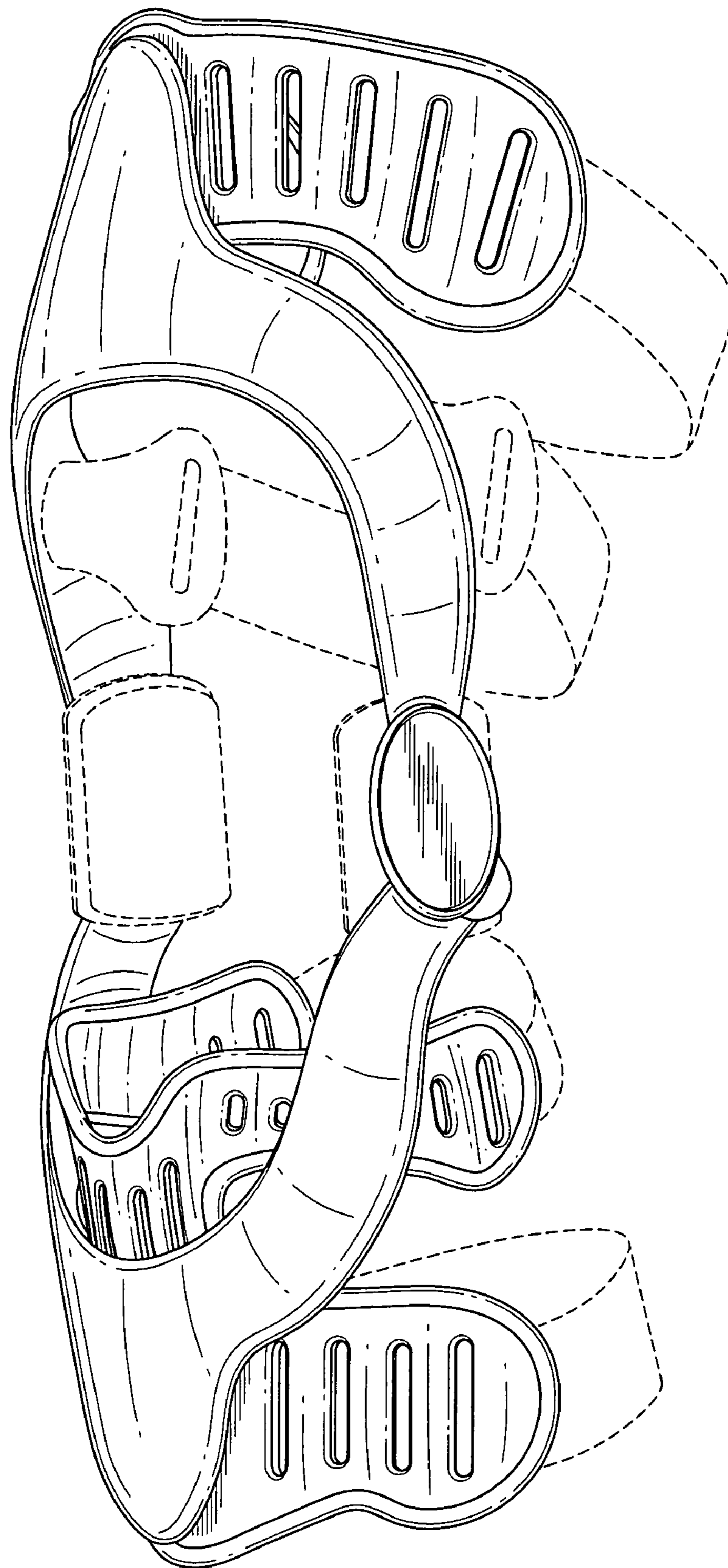


FIG. 1



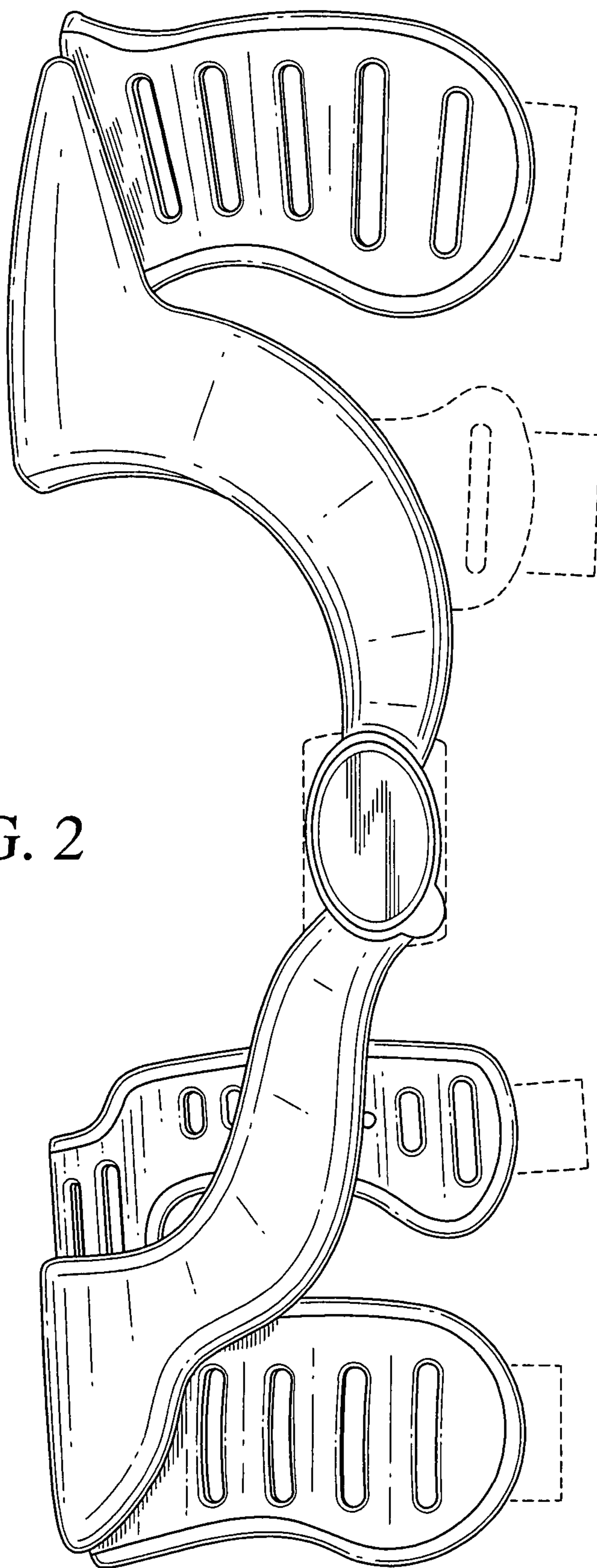


FIG. 2



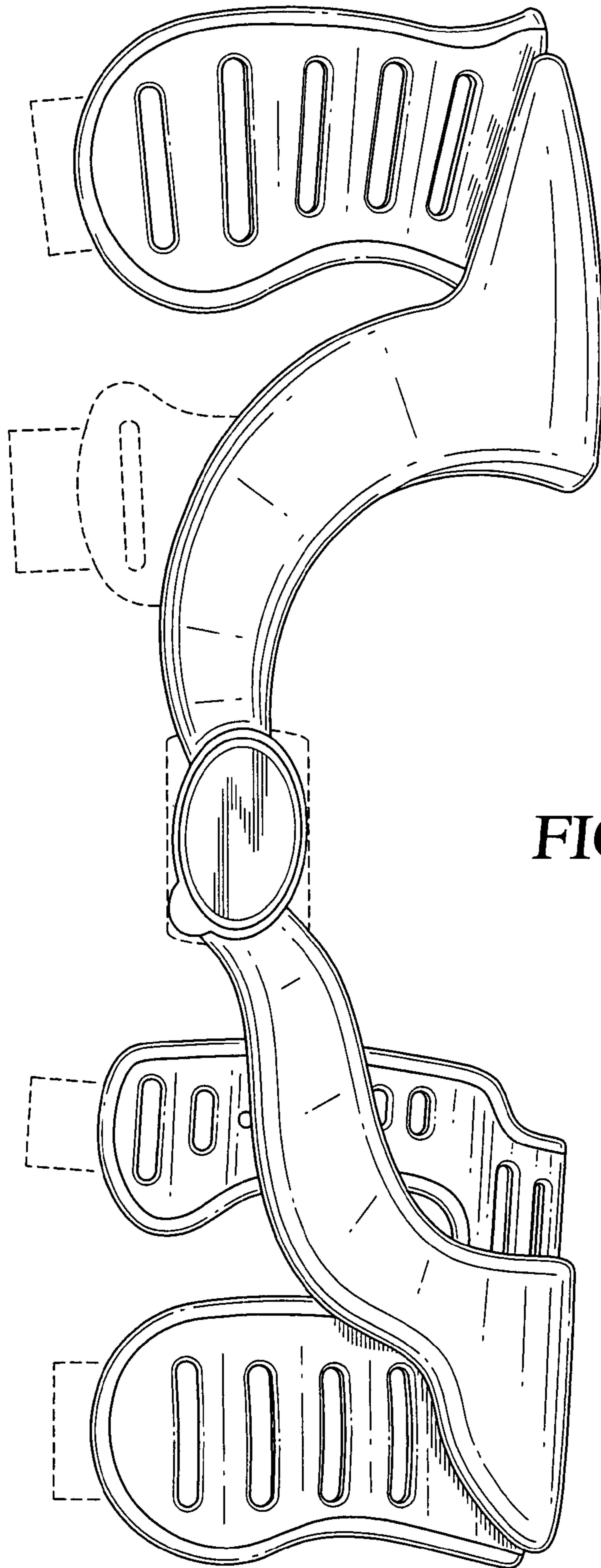


FIG. 3

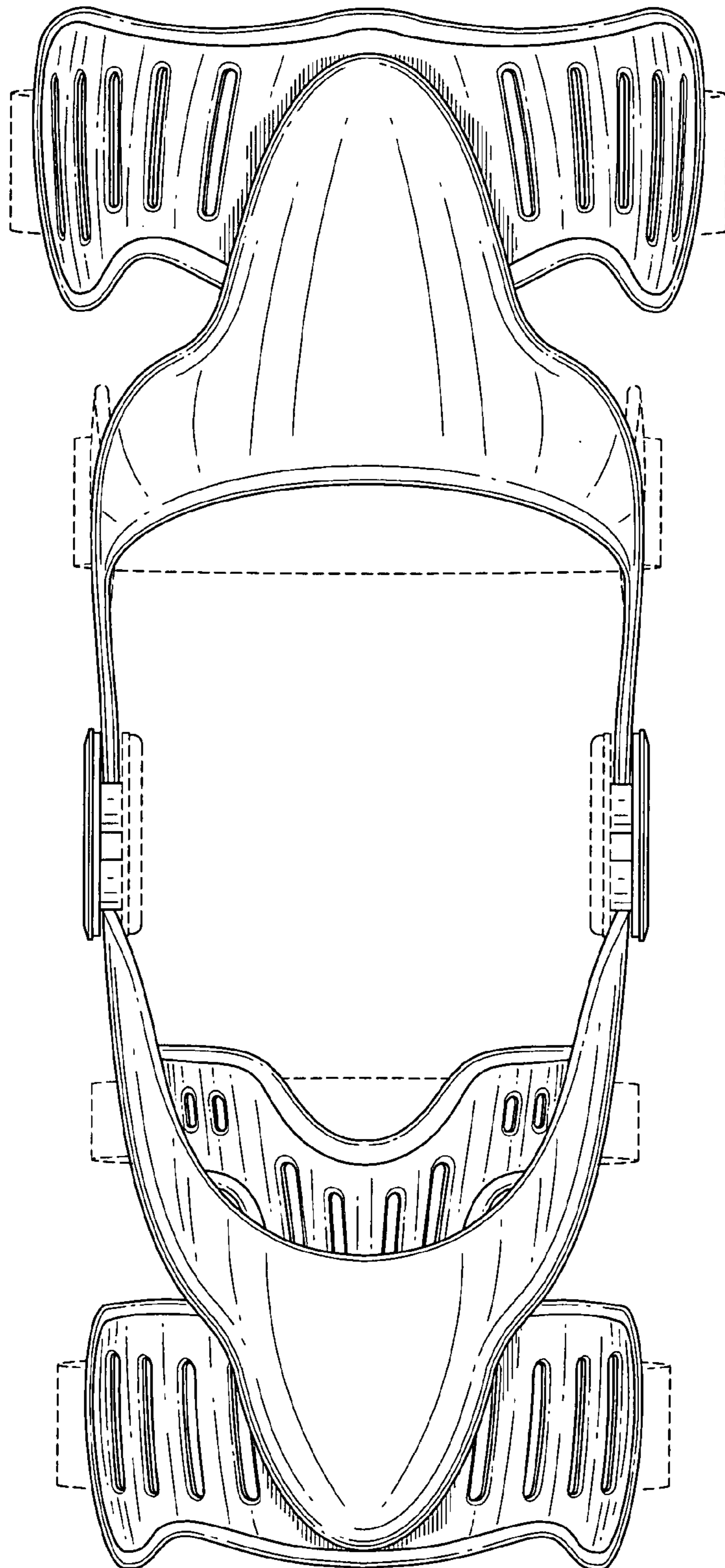


FIG. 4

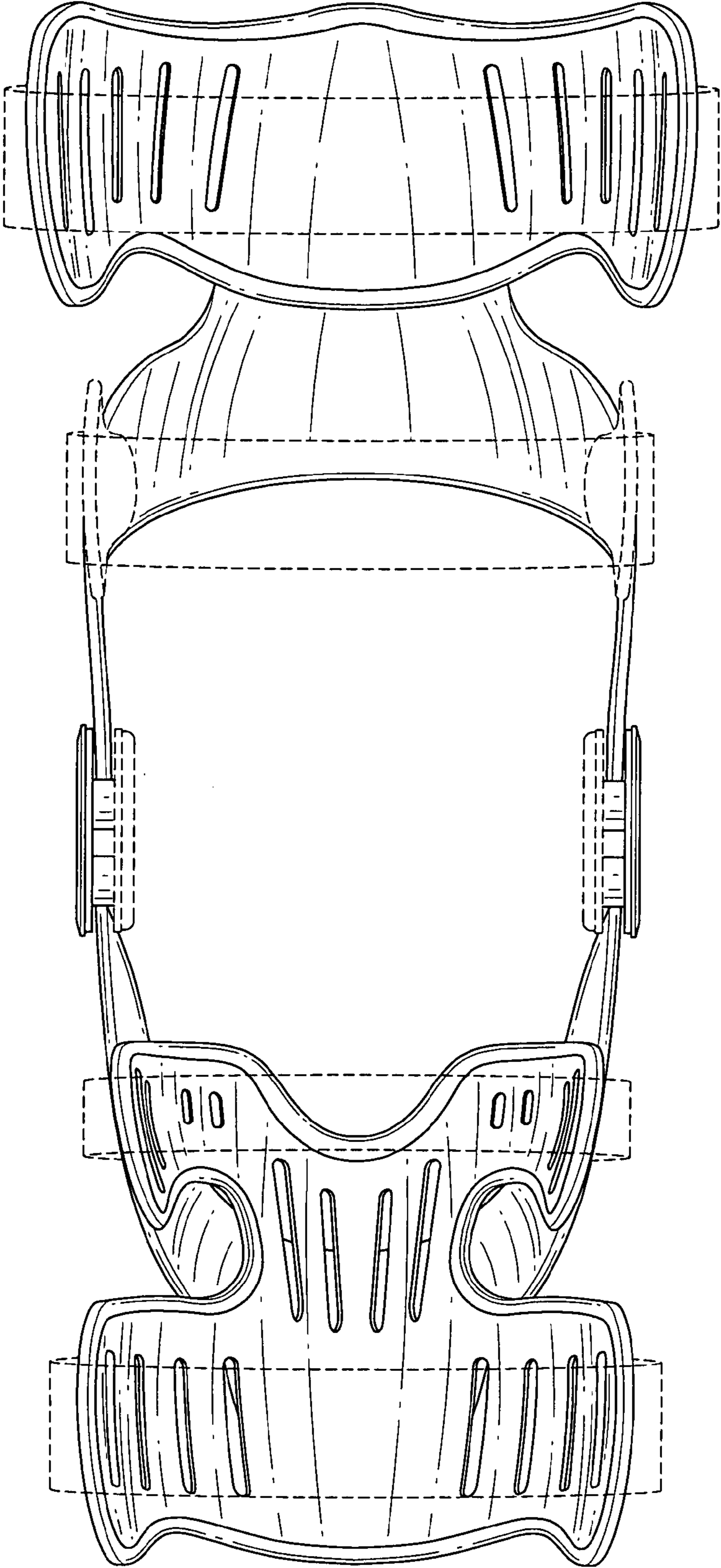


FIG. 5

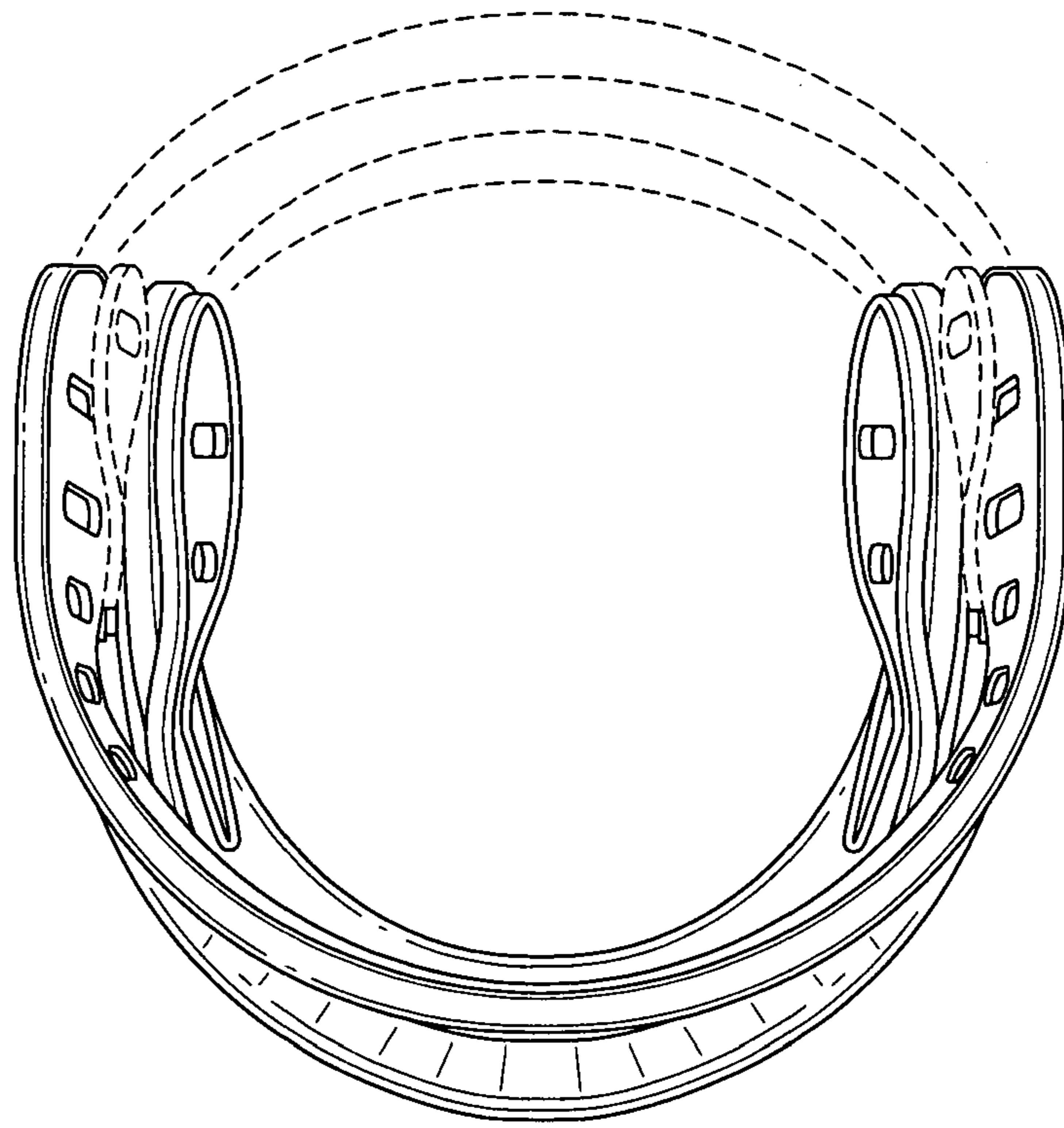


FIG. 6

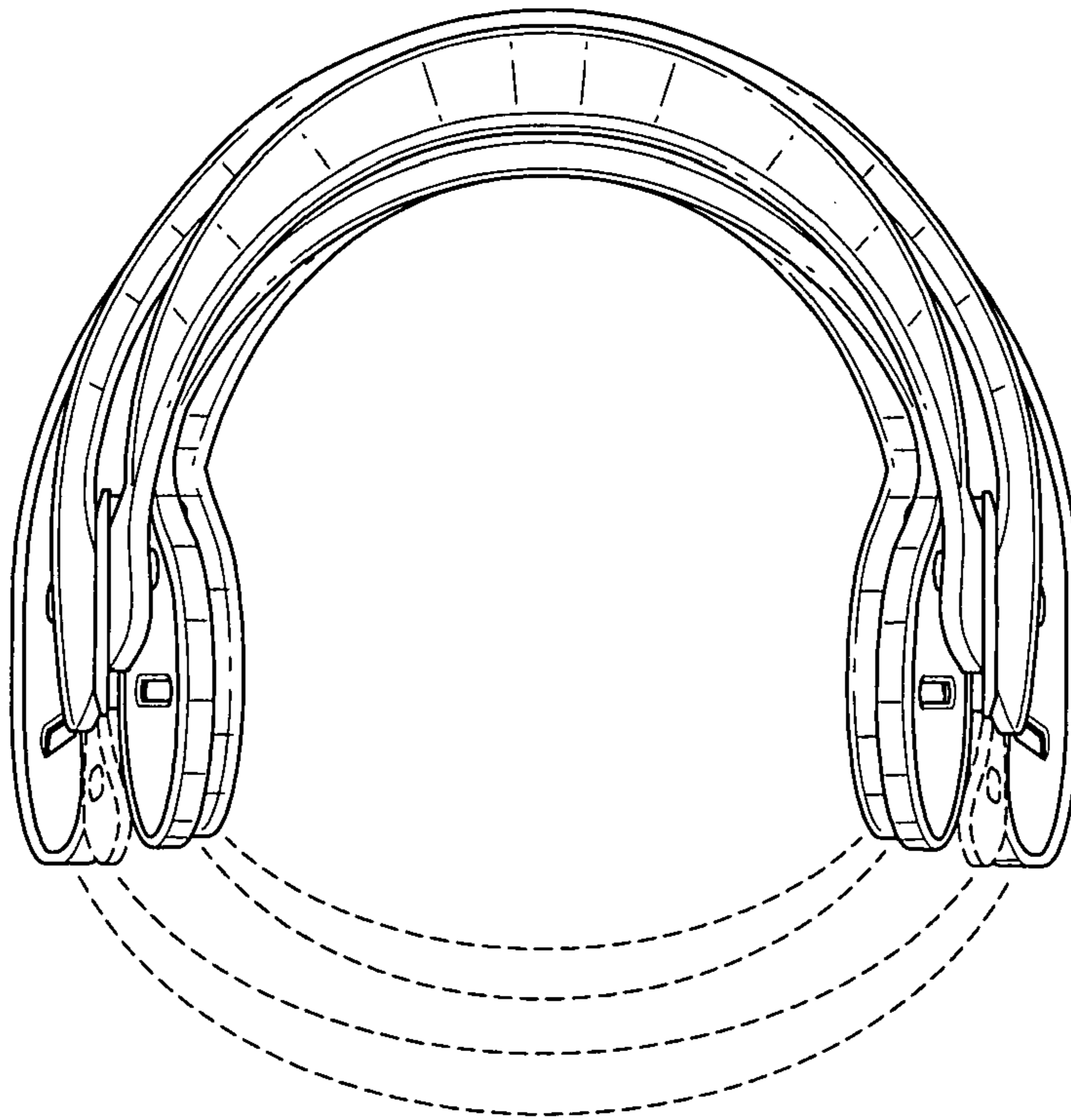


FIG. 7