



US00D558883S

(12) **United States Design Patent**
Ortiz

(10) **Patent No.:** **US D558,883 S**
(45) **Date of Patent:** **** Jan. 1, 2008**

(54) **THUMB IMMOBILIZER**

2002/0062095 A1 5/2002 Slutterback
2004/0049141 A1 3/2004 Slutterback et al.

(75) Inventor: **David Ortiz**, Las Piedras, PR (US)

(73) Assignee: **Becton, Dickinson and Company**,
Franklin Lakes, NJ (US)

(**) Term: **14 Years**

(21) Appl. No.: **29/266,826**

(22) Filed: **Sep. 29, 2006**

(51) **LOC (8) Cl.** **24-04**

(52) **U.S. Cl.** **D24/190**

(58) **Field of Classification Search** D24/190-192,
D24/200-215; 607/98, 108-111; D2/897,
D2/905, 909-914; 602/5, 6, 20-22, 64; 2/159,
2/161.1-161.6; 128/77, 80

See application file for complete search history.

(56) **References Cited**

U.S. PATENT DOCUMENTS

1,471,948	A *	10/1923	Cox et al.	602/22
2,357,413	A *	9/1944	McGinnis	128/880
2,523,606	A *	9/1950	Young	602/7
D287,640	S *	1/1987	Primiano	D24/190
D292,128	S *	9/1987	Thibodo, Jr.	D24/190
4,716,892	A	1/1988	Brunswick	
5,356,371	A *	10/1994	Hubbard	602/22
D373,639	S *	9/1996	McKie	D24/190
5,769,804	A	6/1998	Harris et al.	
5,971,947	A	10/1999	McNally et al.	
6,146,348	A	11/2000	Slutterback	
6,149,617	A	11/2000	McNally et al.	
6,196,985	B1	3/2001	Slutterback	
6,325,772	B1 *	12/2001	Scheuermann et al.	602/22
D463,565	S	9/2002	Slutterback	
D463,566	S	9/2002	Slutterback	
D468,019	S	12/2002	Slutterback	
D468,434	S	1/2003	Slaughterback	
6,517,501	B1	2/2003	Slutterback	
D473,653	S *	4/2003	Weaver et al.	D24/190
D477,088	S	7/2003	Brown et al.	
6,740,056	B2	5/2004	Slutterback	

OTHER PUBLICATIONS

Product Insert, "Thumb Guide: Information, Applications and Instructions", FLA Orthopedics, Inc. (1998).

Product Package, "Hospital Grade Thumb Spica Soft Fit", FLA Orthopedics, Inc. (1999).

Product Package, "Professional Grade Compression-Formed Composite Wrist Splint With Abducted Thumb", FLA Orthopedics, Inc. (1999).

(Continued)

Primary Examiner—Stella M. Reid

Assistant Examiner—Susan E Krakower

(74) *Attorney, Agent, or Firm*—Alan W. Fiedler; Roylance Abrams

(57) **CLAIM**

The ornamental design for a thumb immobilizer, as shown and described.

DESCRIPTION

FIG. 1 is a distal end perspective view of a thumb immobilizer showing my new design, with the straps secured;

FIG. 2 is a top plan view thereof;

FIG. 3 is a left side elevational view thereof;

FIG. 4 is a right side elevational view thereof;

FIG. 5 is a proximal (wrist) end elevational view thereof;

FIG. 6 is a distal (thumb) end elevational view thereof;

FIG. 7 is a bottom plan view thereof;

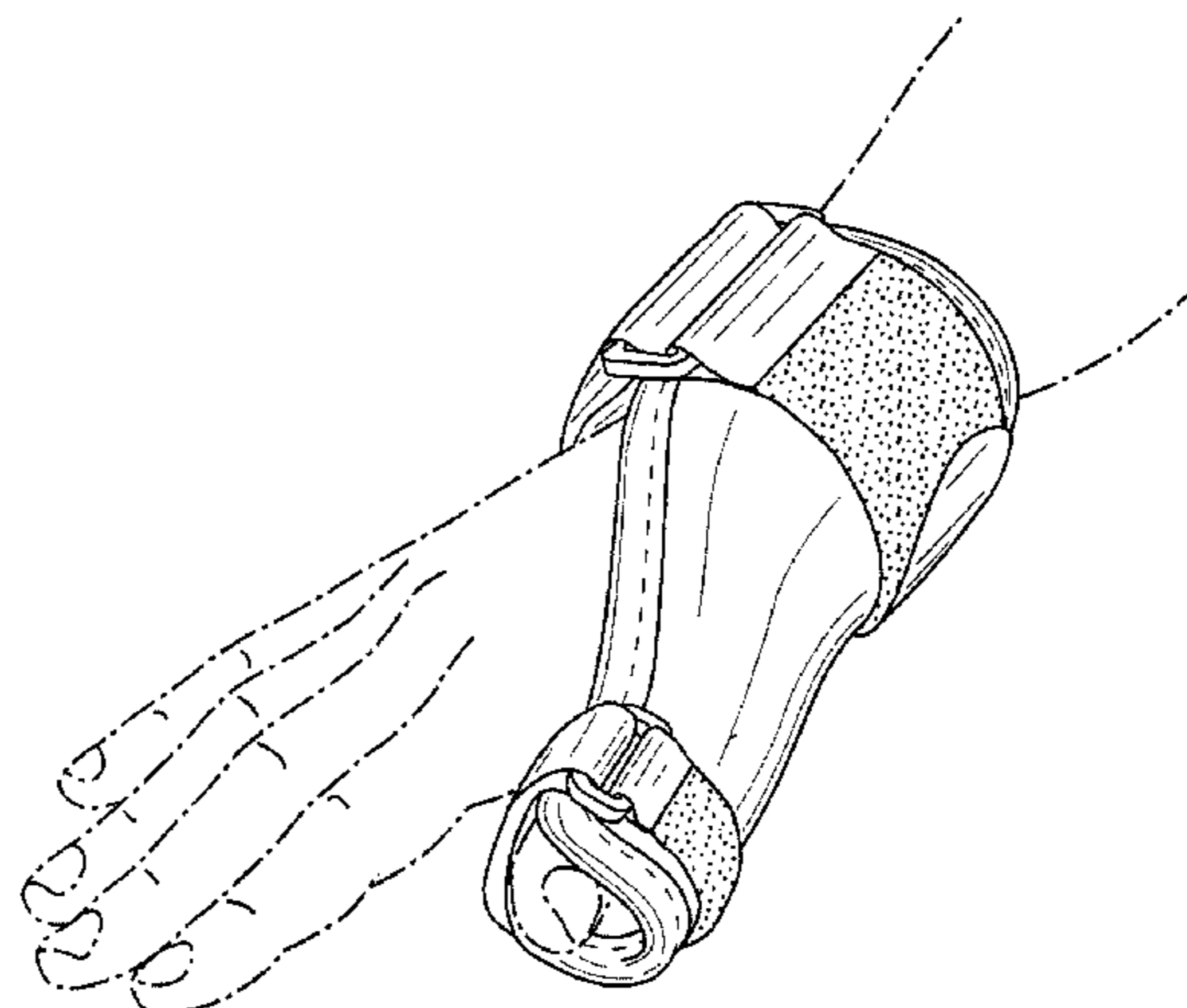
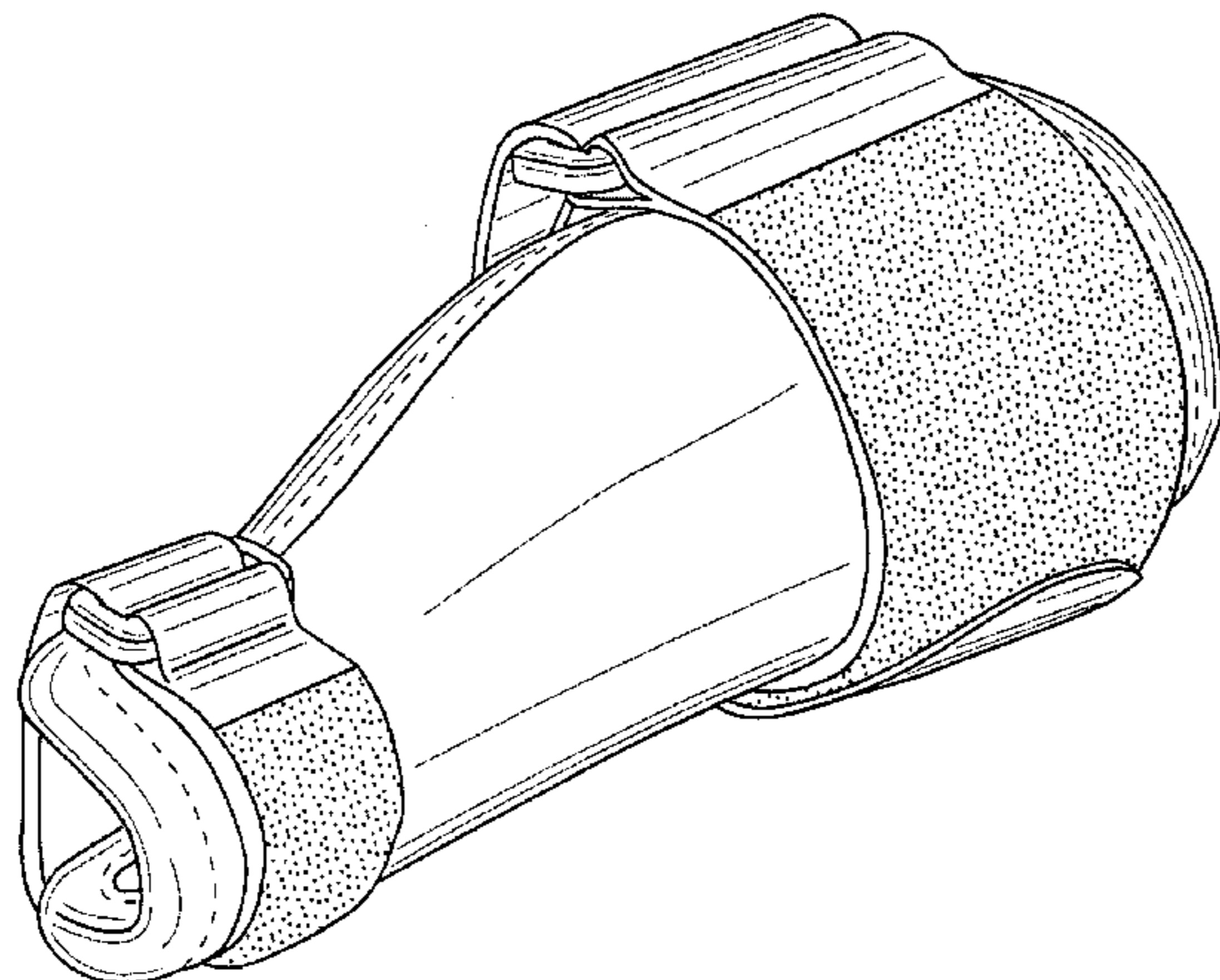
FIG. 8 is a perspective view thereof, in use; and,

FIG. 9 is a perspective view thereof, with the straps open.

The broken line showing of the human hand is for illustrative purposes only, and forms no part of the claimed design.

It is understood that the broken lines within the claimed design indicate stitching lines.

1 Claim, 9 Drawing Sheets



OTHER PUBLICATIONS

Product Package, "Bauer & Black Carpal Tunnel Syndrome Wrist Brace", Becton, Dickinson and Company (1995).
Product Package, "Professional Grade Neoprene Pull-On Thumb Support", FLA Orthopedic, Inc. (2004).

Product Package, "Futuro Deluxe Thumb Stabilizer", Beiersdorf Inc. (2006).

Product Package, "ACE Carpal Tunnel Syndrome Brace", Becton, Dickinson and Company (2003).

* cited by examiner

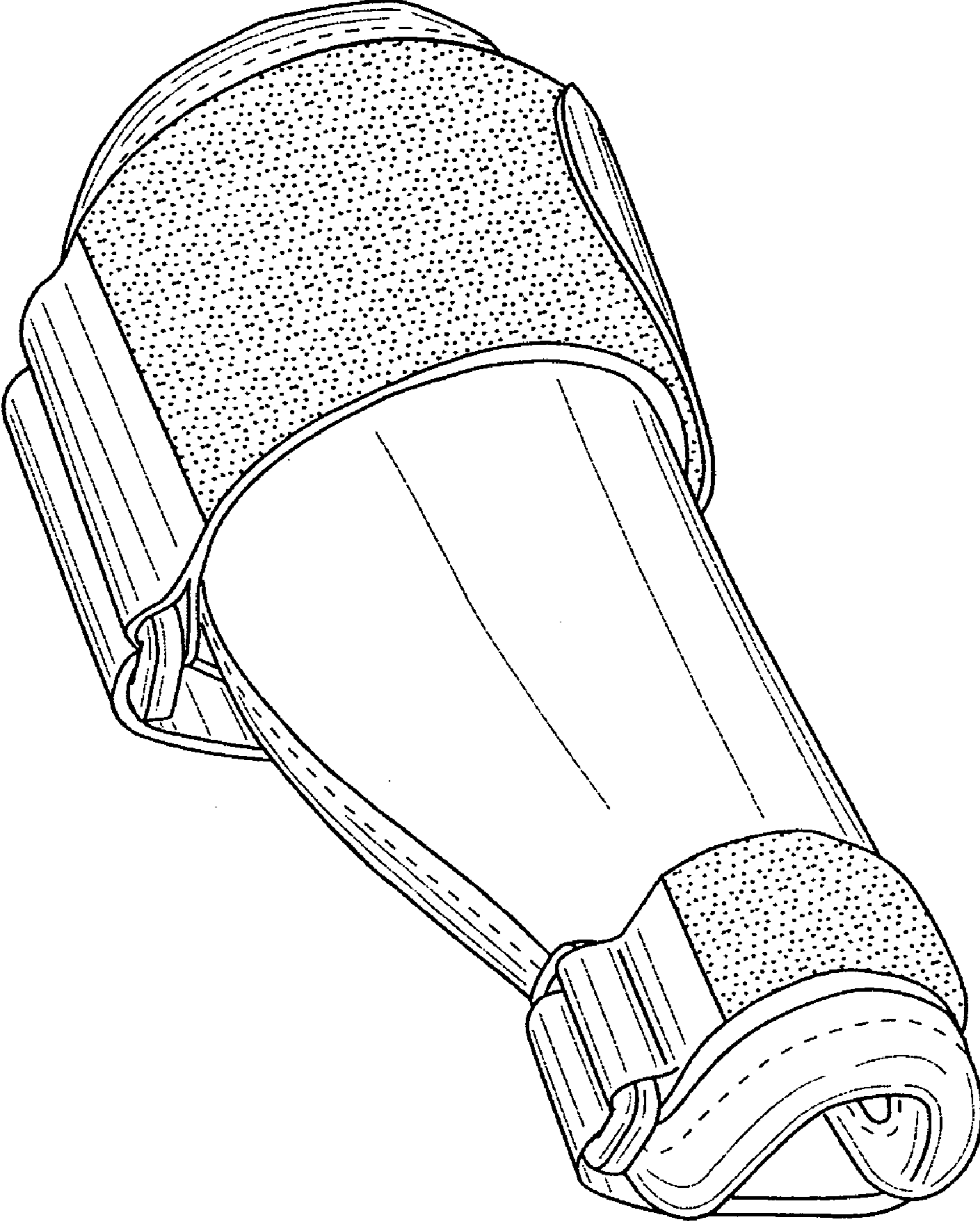


FIG. 1

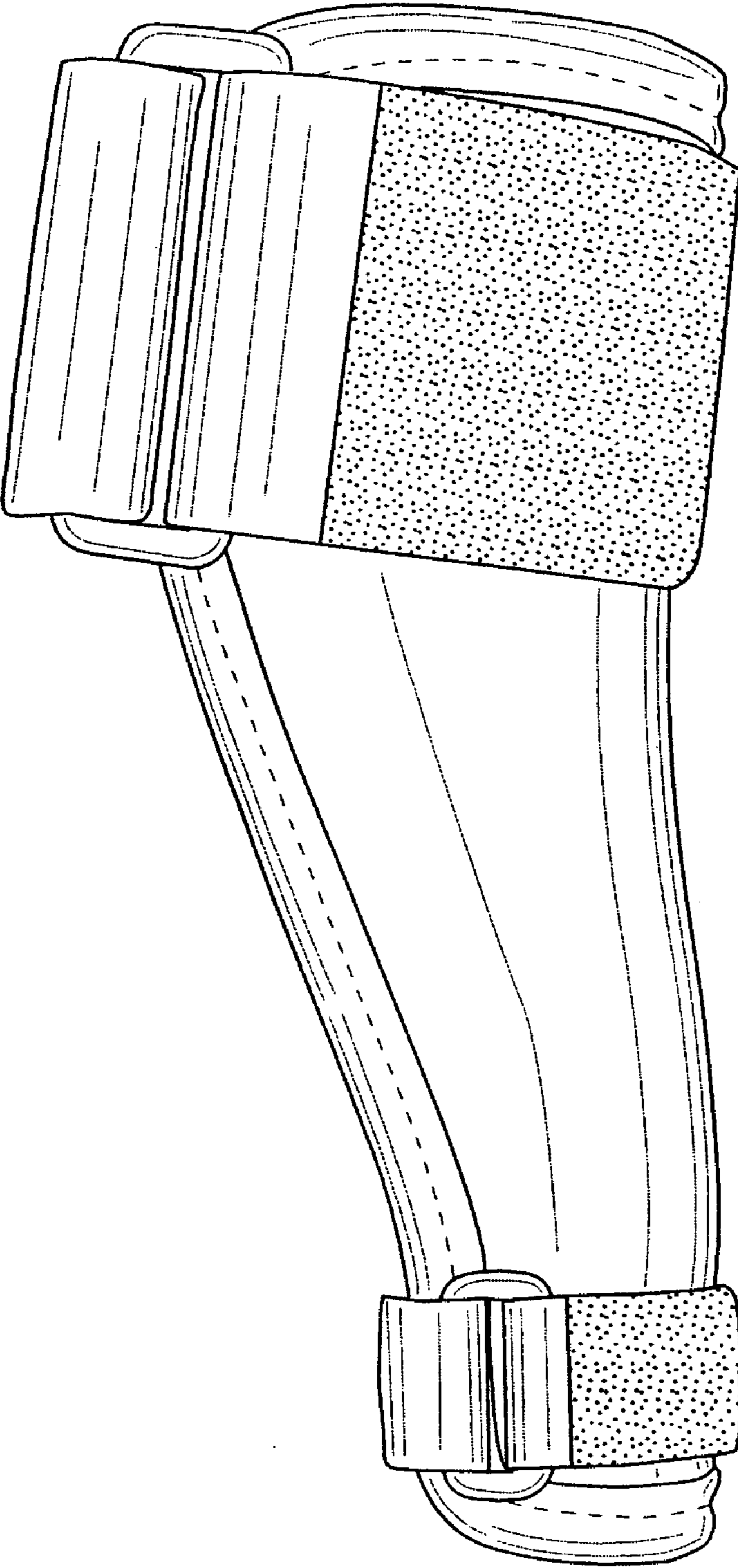


FIG. 2

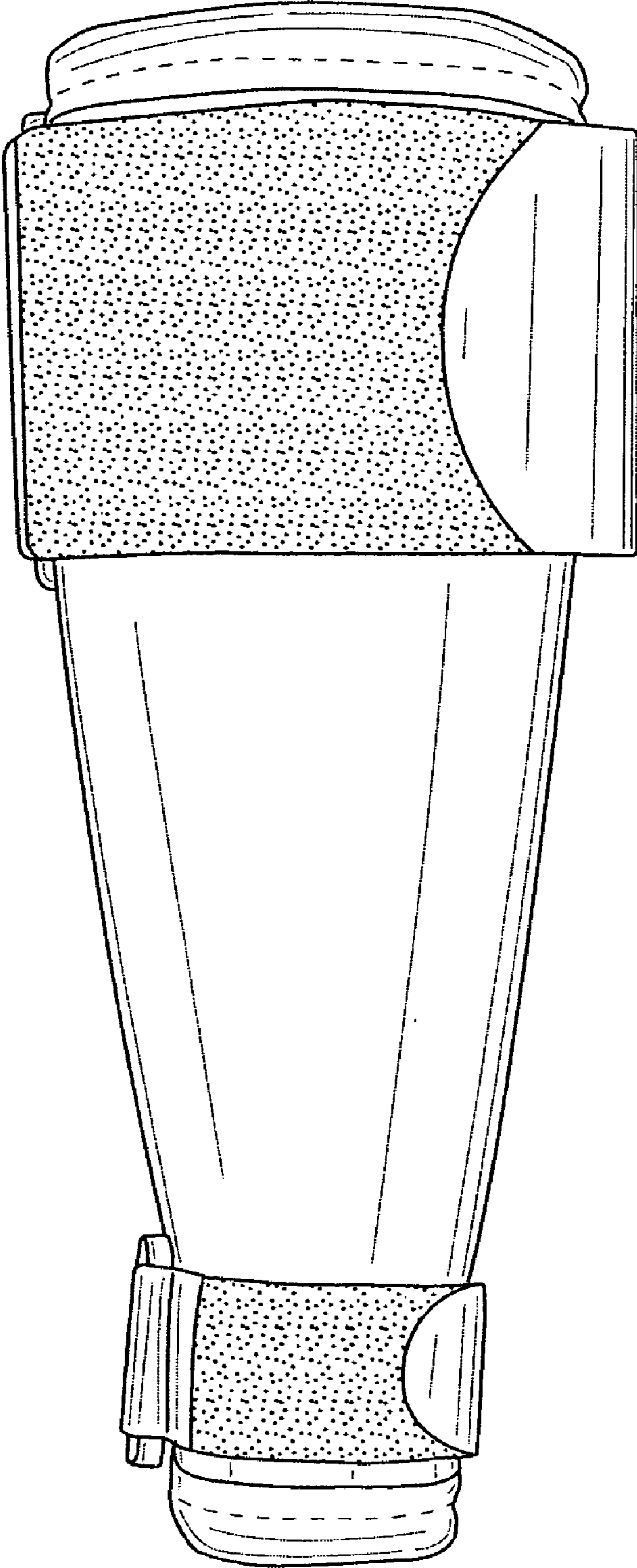


FIG. 3

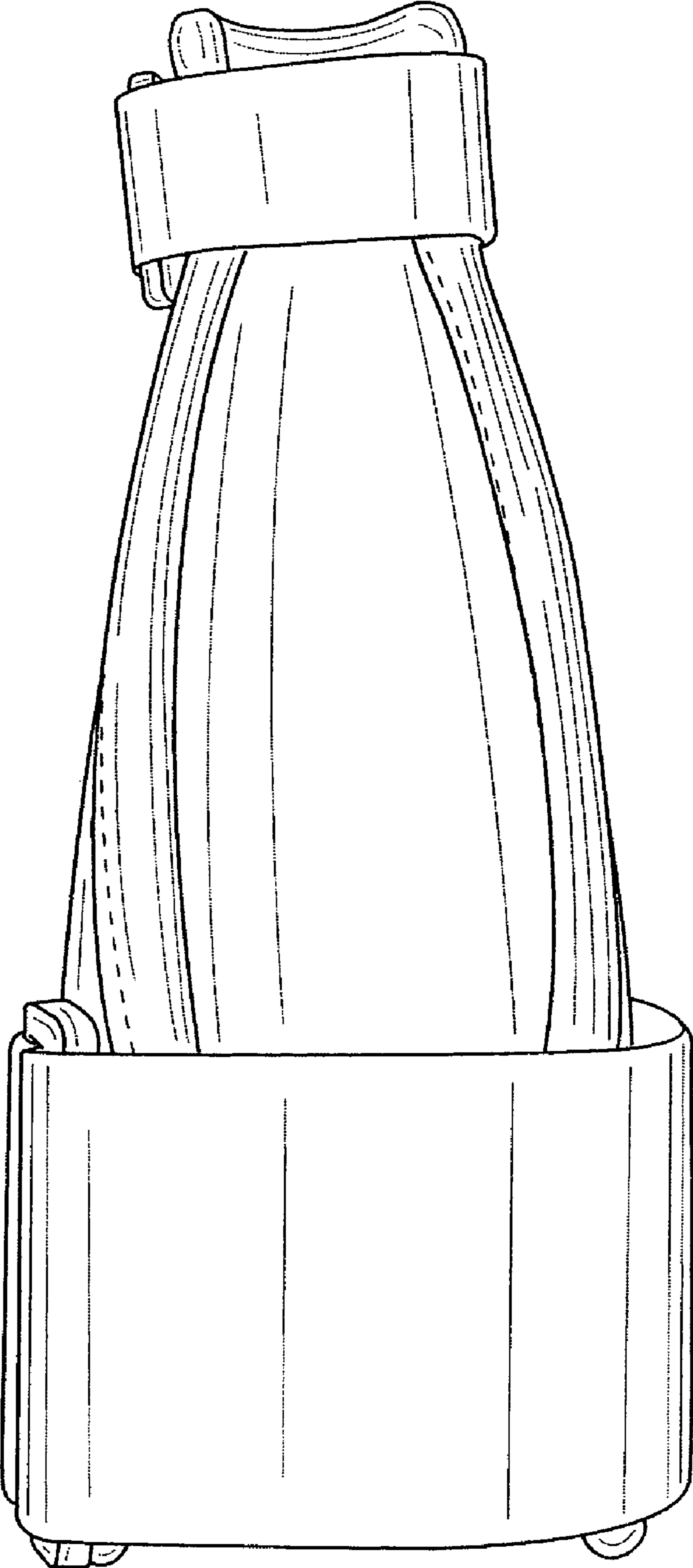


FIG. 4

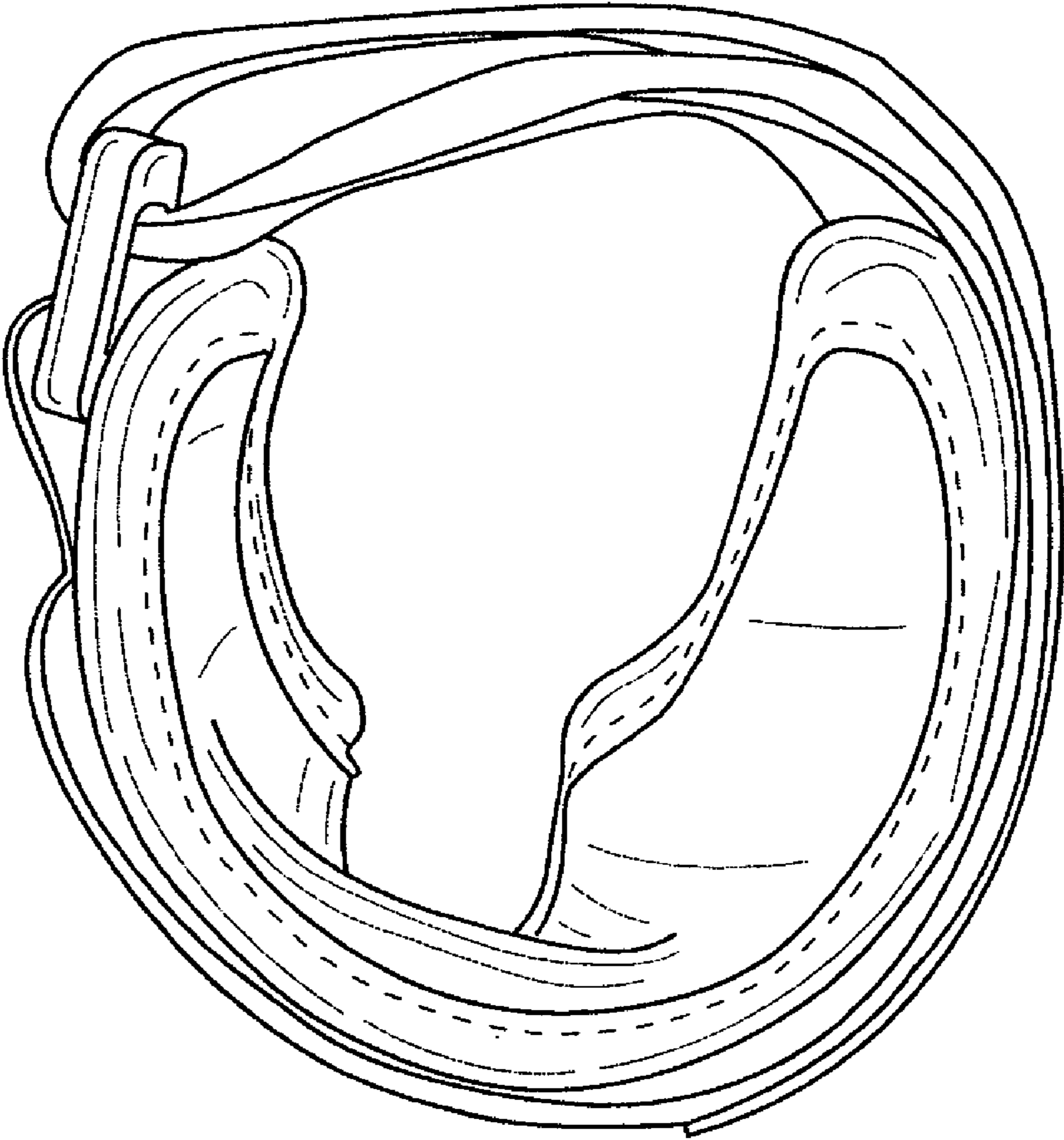


FIG. 5

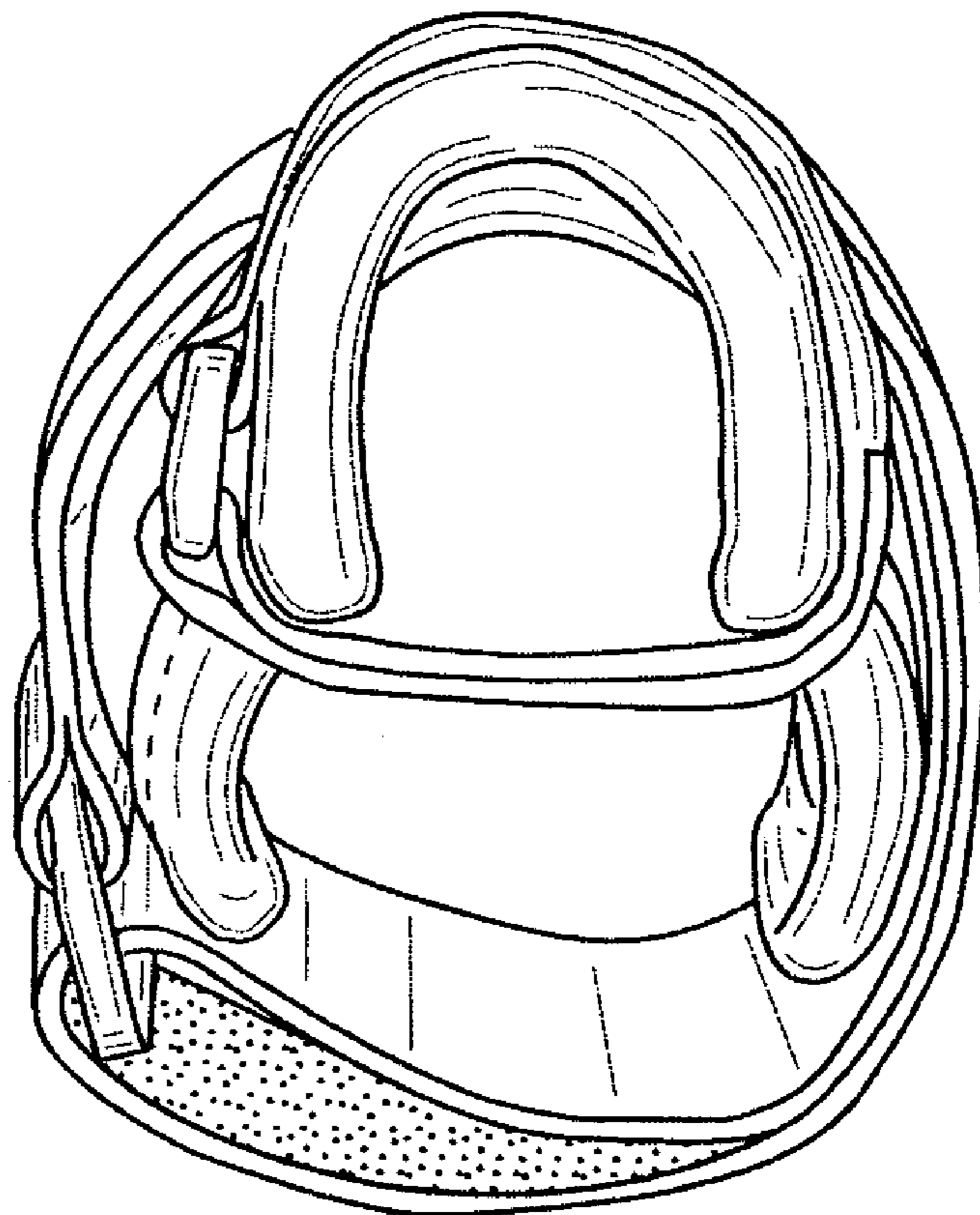


FIG. 6

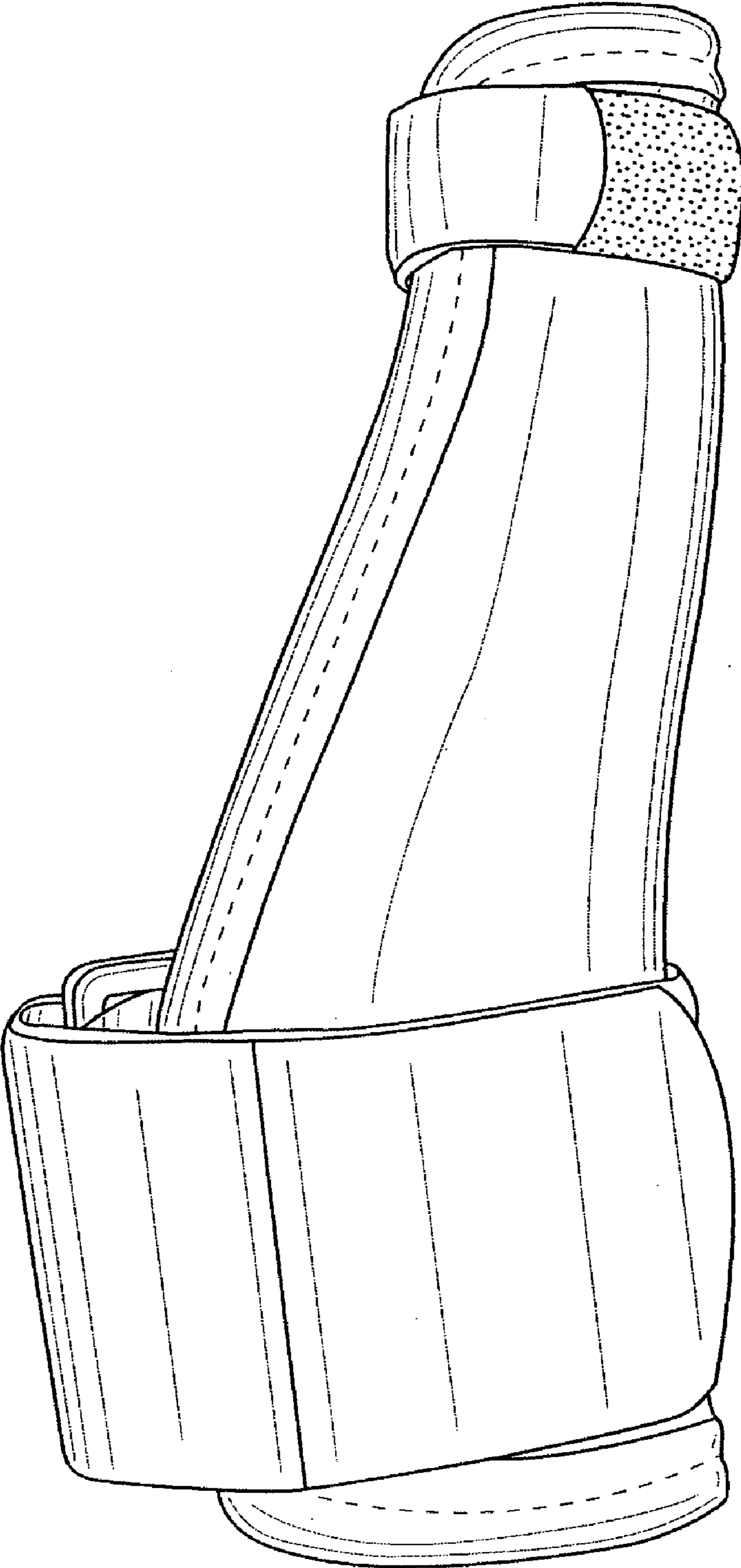


FIG. 7

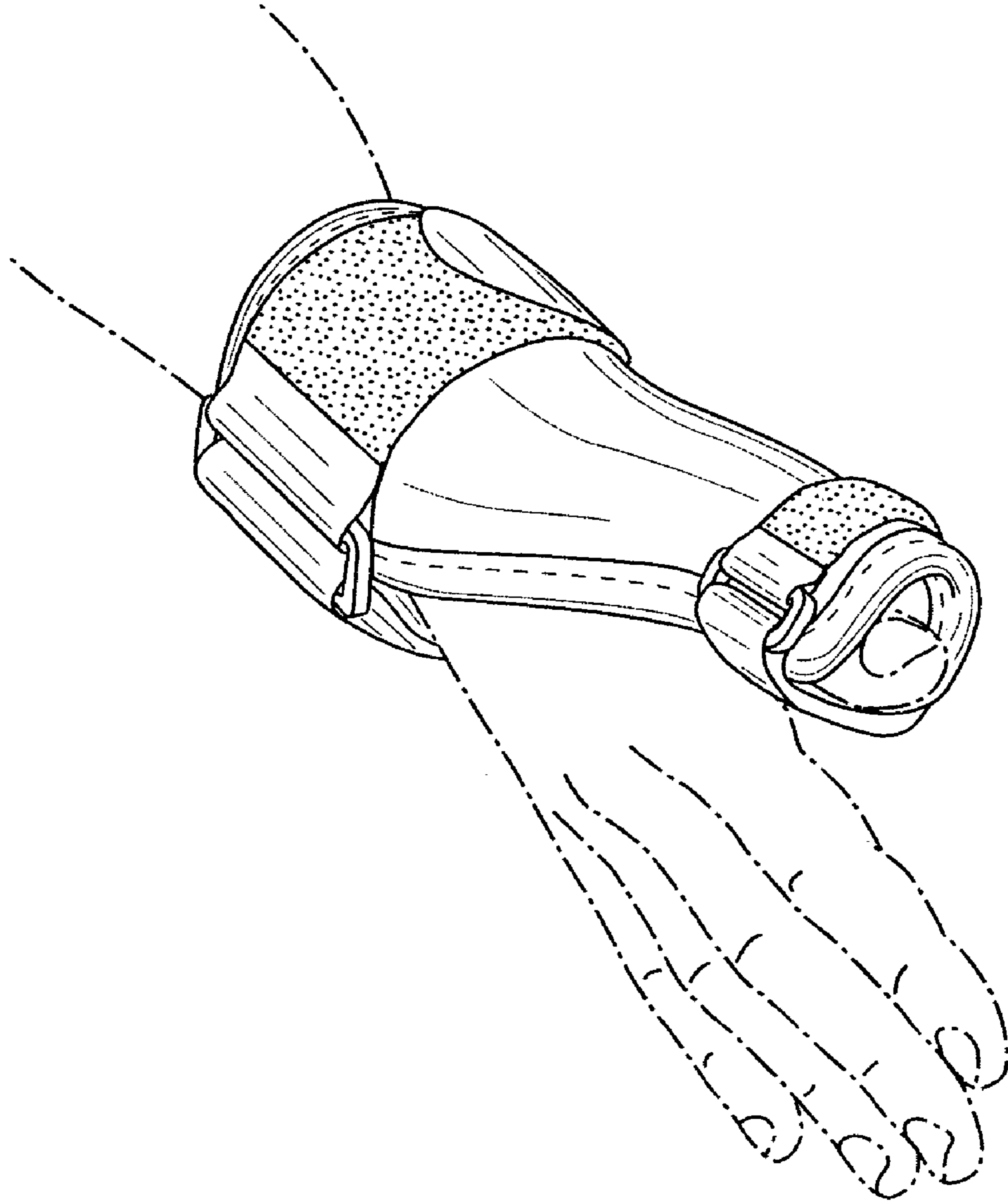


FIG. 8

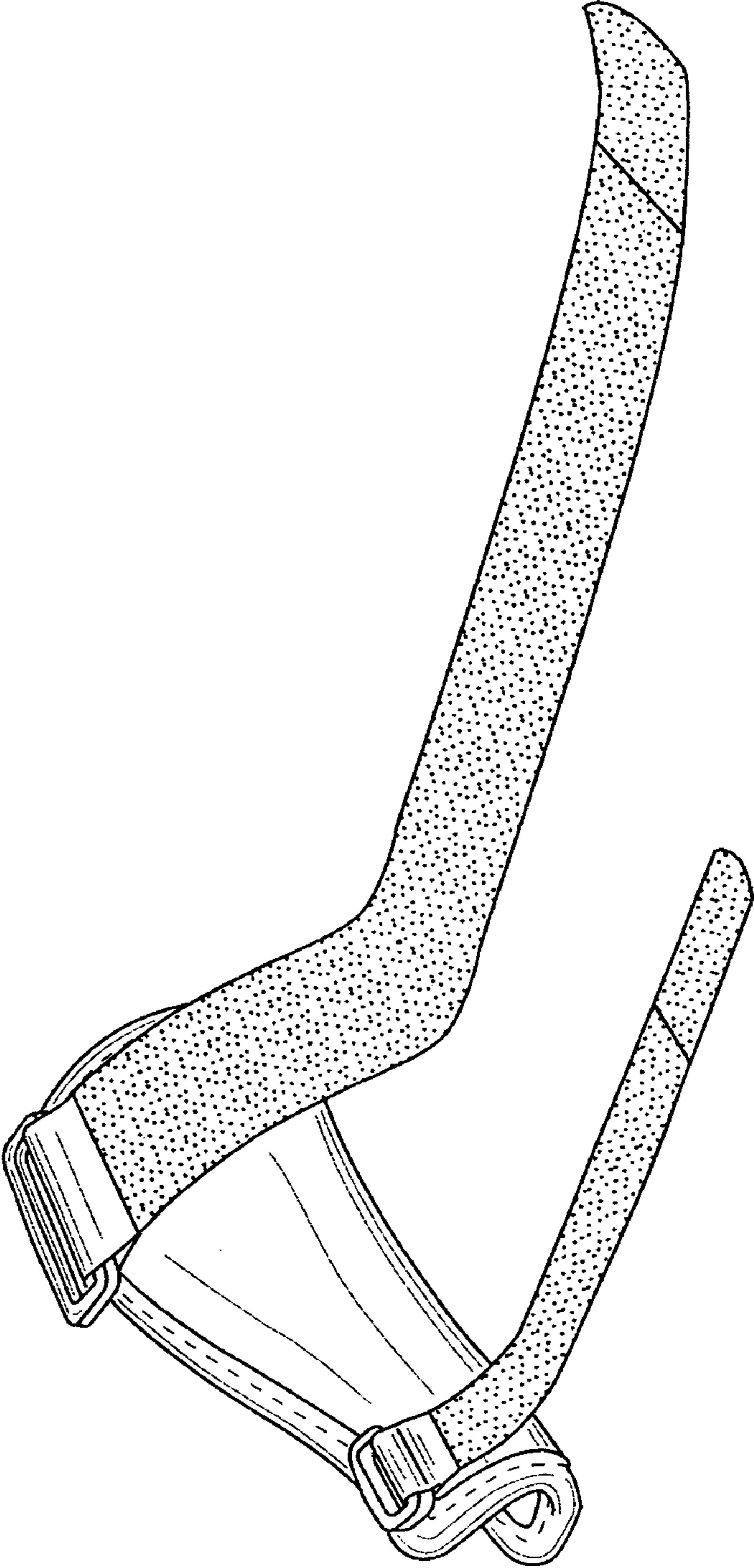


FIG. 9