



US00D558882S

(12) **United States Design Patent**
Brady

(10) **Patent No.:** **US D558,882 S**
(45) **Date of Patent:** **** Jan. 1, 2008**

- (54) **BIOMEDICAL ELECTRODE FOR ATTACHMENT TO SKIN**
- (75) Inventor: **Dan Brady**, Old Windsor (GB)
- (73) Assignee: **Unomedical Limited**, Worcestershire (GB)
- (**) Term: **14 Years**
- (21) Appl. No.: **29/248,992**
- (22) Filed: **Sep. 14, 2006**
- (30) **Foreign Application Priority Data**
Mar. 14, 2006 (EP) 000494836
- (51) **LOC (8) Cl.** **24-01**
- (52) **U.S. Cl.** **D24/187**
- (58) **Field of Classification Search** D24/134,
D24/167, 168, 187, 182; 439/729; 600/382-384,
600/391-393, 396, 372; 607/148-149, 152
See application file for complete search history.

- (56) **References Cited**
U.S. PATENT DOCUMENTS
- D240,166 S * 6/1976 Cartmell et al. D24/187
- D243,476 S * 2/1977 Avery D24/168
- D272,943 S * 3/1984 Stone et al. D24/134
- 4,539,996 A * 9/1985 Engel 600/392
- 4,777,954 A * 10/1988 Keusch et al. 600/392
- 4,832,036 A * 5/1989 Cartmell 600/396
- D357,069 S * 4/1995 Plahn et al. D24/187
- D366,317 S * 1/1996 Axelgaard D24/168
- D367,108 S * 2/1996 Axelgaard D24/168
- D369,667 S * 5/1996 Vincents et al. D24/187
- D378,614 S * 3/1997 Jensen D24/187

- D385,037 S * 10/1997 Jensen D24/187
- D423,673 S * 4/2000 Bassøe D24/187
- D457,244 S * 5/2002 Loutis et al. D24/187
- D457,634 S * 5/2002 Rouns et al. D24/168
- D477,085 S * 7/2003 Sanfilippo D24/187
- D478,173 S * 8/2003 Nielsen D24/187
- D478,668 S * 8/2003 Epstein D24/187
- 6,904,324 B2 * 6/2005 Bishay 607/149
- D511,004 S * 10/2005 Masuda D24/187

* cited by examiner

Primary Examiner—Robert A. Delehanty
Assistant Examiner—Mark Cavanna
(74) *Attorney, Agent, or Firm*—Klein, O’Neill & Singh, LLP; Howard J. Klein

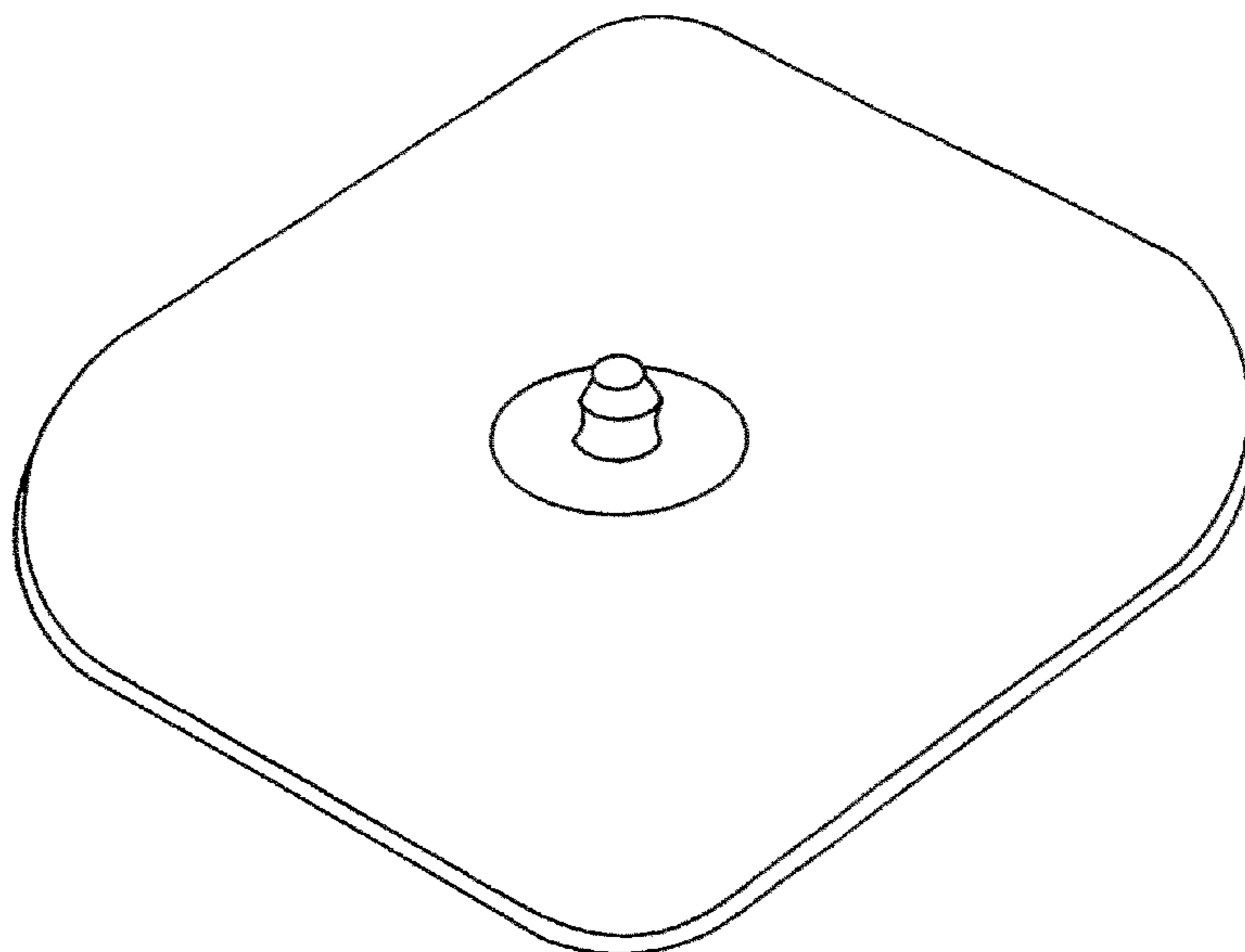
(57) **CLAIM**

The ornamental design for a biomedical electrode for attachment to skin, as shown.

DESCRIPTION

FIG. 1 is a top perspective view of a biomedical electrode for attachment to skin, in accordance with my new design;
FIG. 2 is a bottom perspective view of the biomedical electrode shown in FIG. 1;
FIG. 3 is a bottom plan view of the biomedical electrode shown in FIG. 1;
FIG. 4 is an elevational view of the biomedical electrode taken from the right side of FIG. 2;
FIG. 5 is a top plan view of the biomedical electrode shown in FIG. 1; and,
FIG. 6 is an elevational view of the biomedical electrode taken from the right side of FIG. 5.

1 Claim, 2 Drawing Sheets



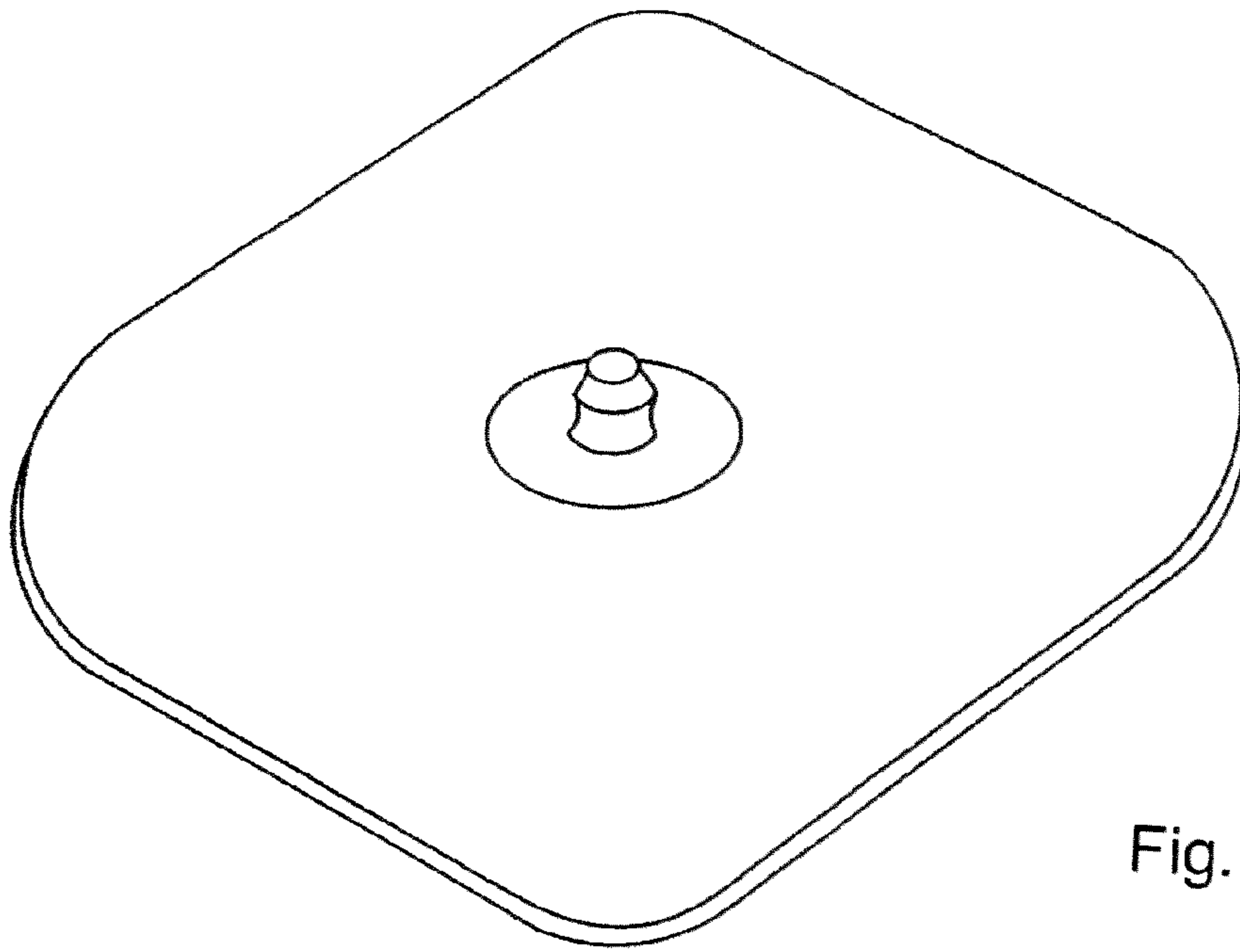


Fig. 1

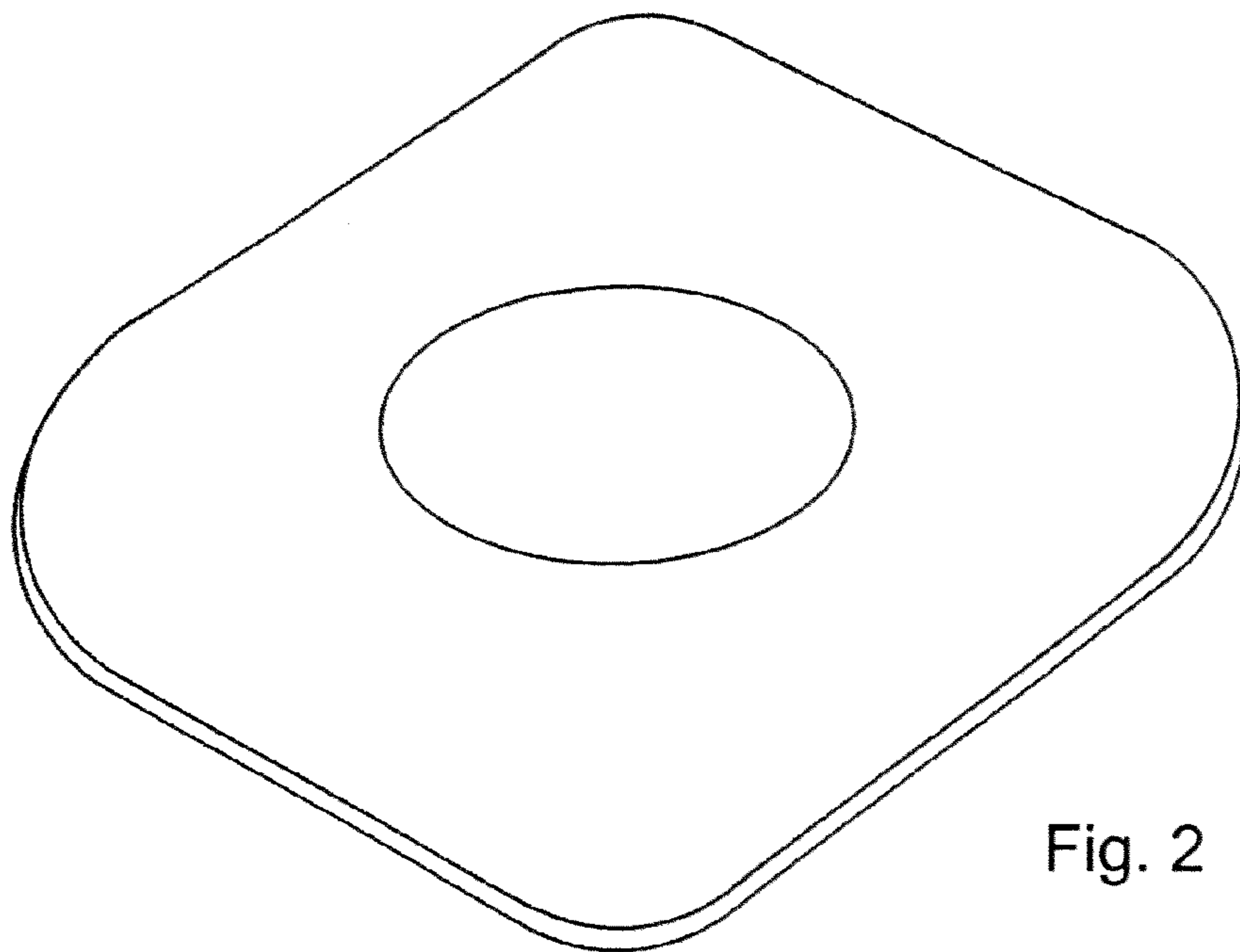


Fig. 2

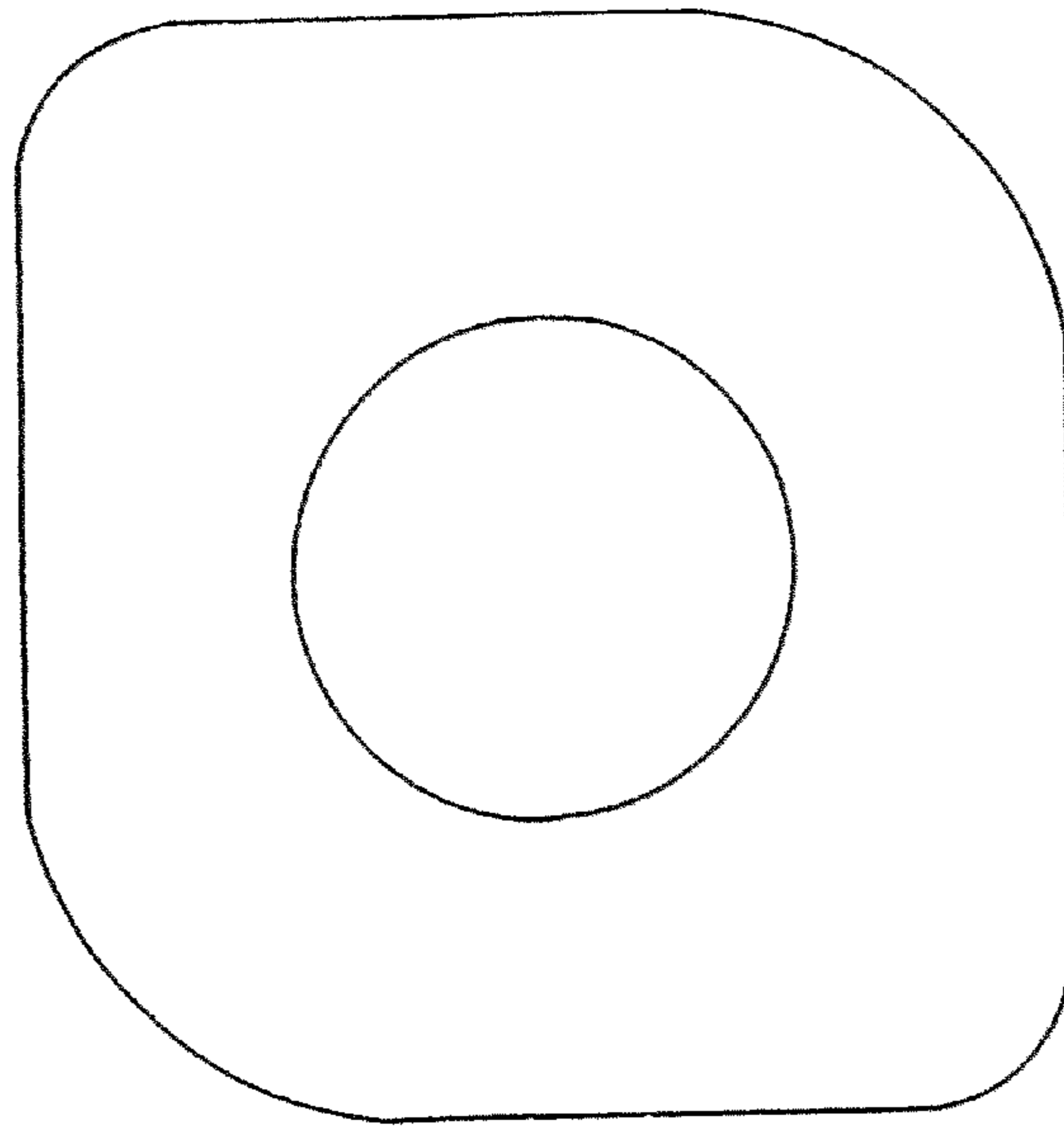


Fig. 3

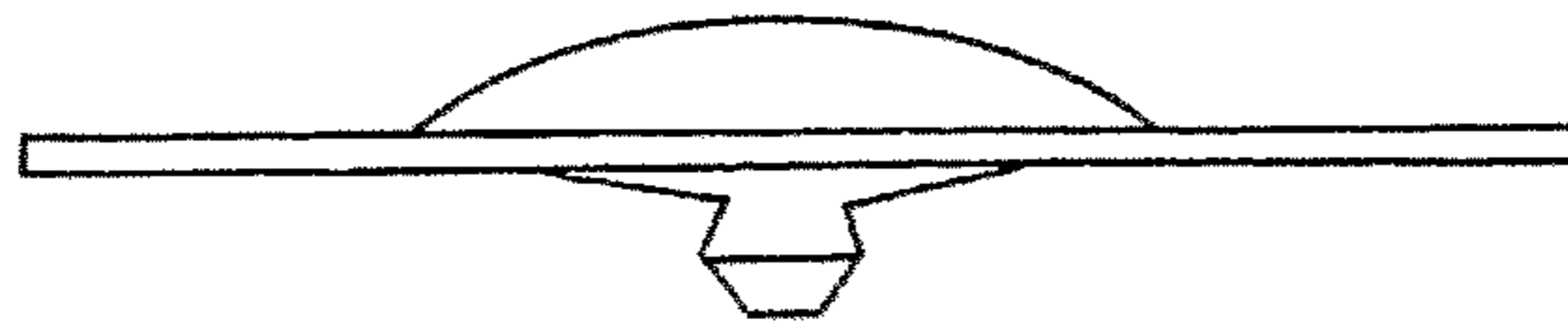


Fig. 4



Fig. 6

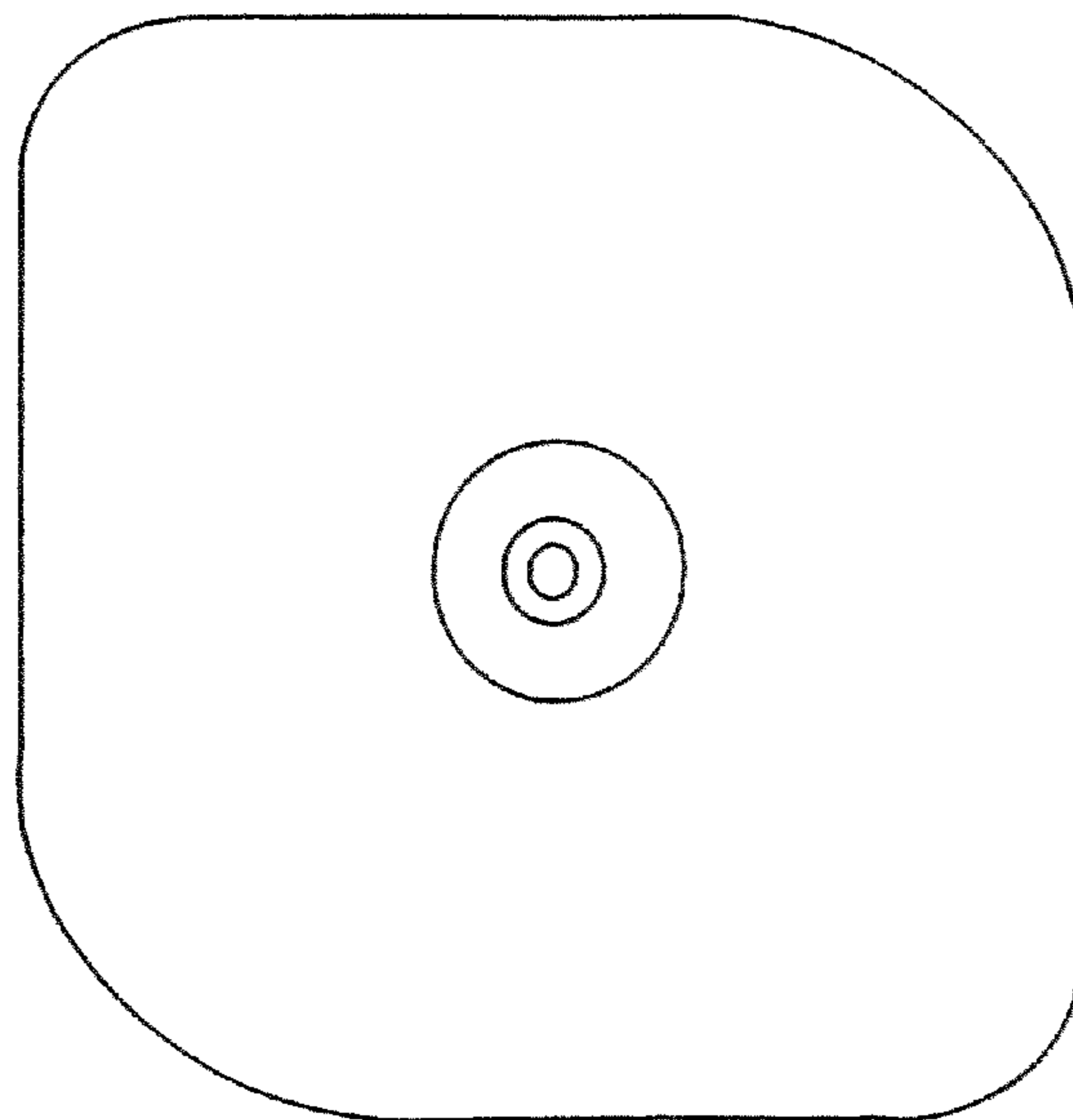


Fig. 5