



US00D558881S

(12) **United States Design Patent**
Kobayashi

(10) **Patent No.:** **US D558,881 S**
(45) **Date of Patent:** **** Jan. 1, 2008**

(54) **CONTACT CAP FOR PHOTOGRAPHIC
DEVICE OF TOOTH**

(75) Inventor: **Hiro Yoshi Kobayashi**, Hachioji (JP)

(73) Assignee: **Olympus Corporation**, Tokyo (JP)

(**) Term: **14 Years**

(21) Appl. No.: **29/249,360**

(22) Filed: **Oct. 3, 2006**

(30) **Foreign Application Priority Data**

Apr. 4, 2006 (JP) 2006-008742

(51) **LOC (8) Cl.** **24-02**

(52) **U.S. Cl.** **D24/176; D16/130**

(58) **Field of Classification Search** D24/152-154,
D24/176-182, 111, 146; 433/3, 141, 142-143,
433/147, 224; D19/48, 49; 600/547; D16/235,
D16/219, 130

See application file for complete search history.

(56) **References Cited**

U.S. PATENT DOCUMENTS

D22,668 S * 8/1893 Kerr D24/176

(Continued)

Primary Examiner—Charles A. Rademaker

(74) *Attorney, Agent, or Firm*—Hogan & Hartson LLP

(57) **CLAIM**

I claim the ornamental design for a contact cap for photographic device of tooth, as shown and described.

DESCRIPTION

As shown in the explanatory view for reference in reduced scale explaining the state of use, the contact cap for a photographing device of tooth is the article which is used to cover the front at the outside of the top cover of the photographing device of tooth and which is disposed of after use.

This contact cap for a photographing device of tooth comprises a cap portion which is mounted such as to cover the top cover at the front portion, a photographing window portion which is arranged at the front side of the cap portion and at the central position of the optical axis in front of the photographing optical system in the mounted state, a front upper side portion which forms the upper side of the photographing window portion, a bite portion as a protruded portion which is arranged in a state of protruded forward in the direction of the optical axis at the lower side portion of the window portion, flexible film-like wall portions forming right and left piece portions of the photographing window portion, and two extending portions extending rearwards at the right and at the left of the cap portion in parallel with the direction of the optical axis.

This article is used for positioning in the state of having covered the top cover of the photographing device of tooth, in which the bite portion is lightly bitten with tooth portions adjacent the tooth which is photographed at both sides, and having shielded the tooth which is photographed from the external light substantially at the central part of the photographing window. In such state for light shielding positioning, the tooth is photographed by the photographing portion which is arranged in the photographing device.

FIG. 1 is front, top and right side perspective view of a contact cap for photographic device of tooth showing my new design;

FIG. 2 is a front elevation thereof;

FIG. 3 is a rear elevation thereof;

FIG. 4 is a top plan view thereof thereof;

FIG. 5 is a bottom plan view thereof;

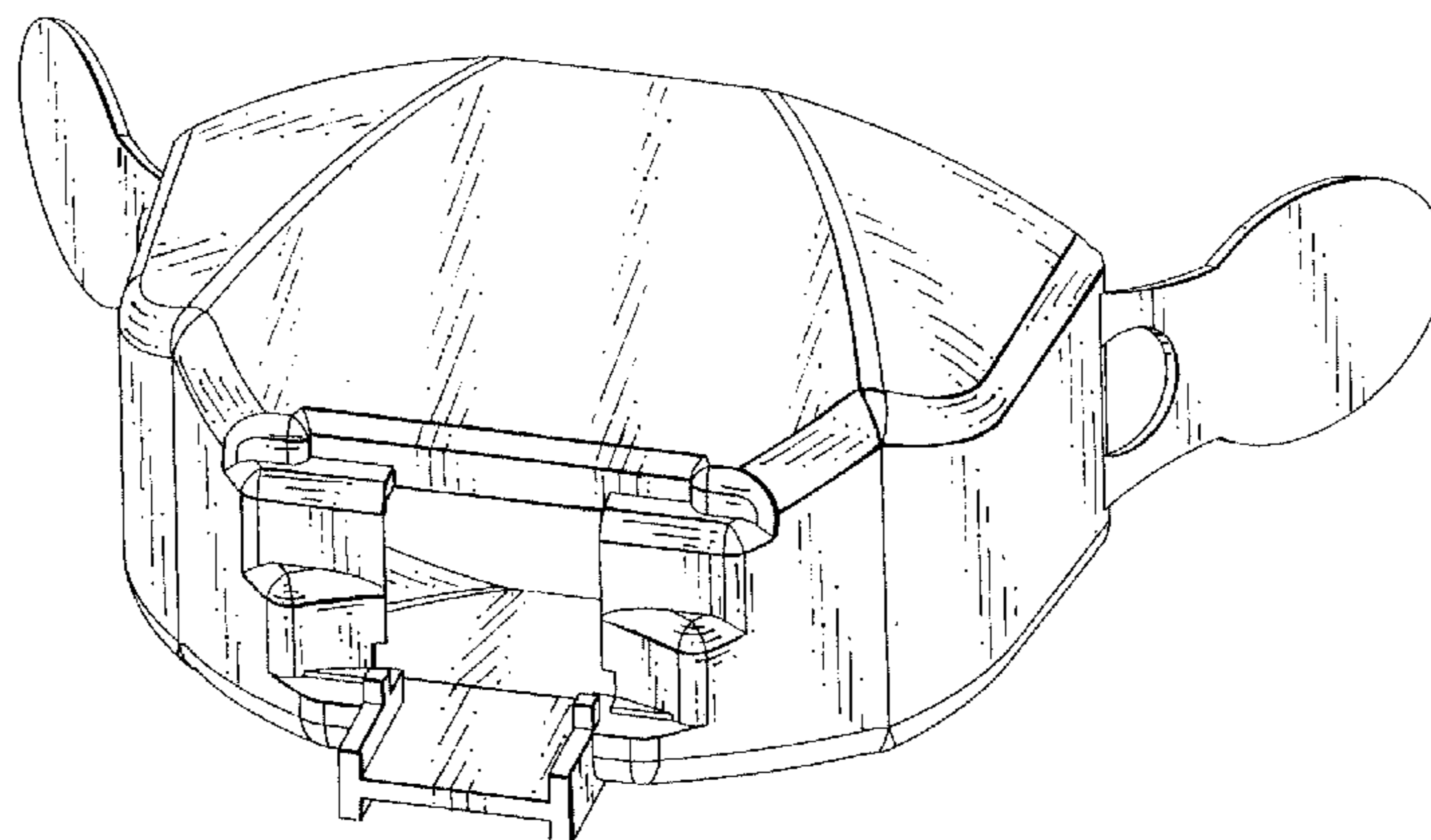
FIG. 6 is a right side elevation thereof;

FIG. 7 is a left side elevation thereof; and,

FIG. 8 is another front elevation thereof shown on a slightly reduced scale.

The broken lines shown in FIG. 8 are included for the purpose of illustrating environment and form no part of the claimed design.

1 Claim, 5 Drawing Sheets



US D558,881 S

Page 2

U.S. PATENT DOCUMENTS

3,307,539 A *	3/1967	Petersen	D24/176	D494,993 S *	8/2004	Uehara et al.	D16/219
D348,932 S *	7/1994	Jackson	D24/176	D501,664 S *	2/2005	Minamio et al.	D16/130
6,609,911 B2 *	8/2003	Garrison	433/139	D537,095 S *	2/2007	Alden et al.	D16/219
D494,663 S *	8/2004	Kakahana	D23/292				

* cited by examiner

FIG. 1

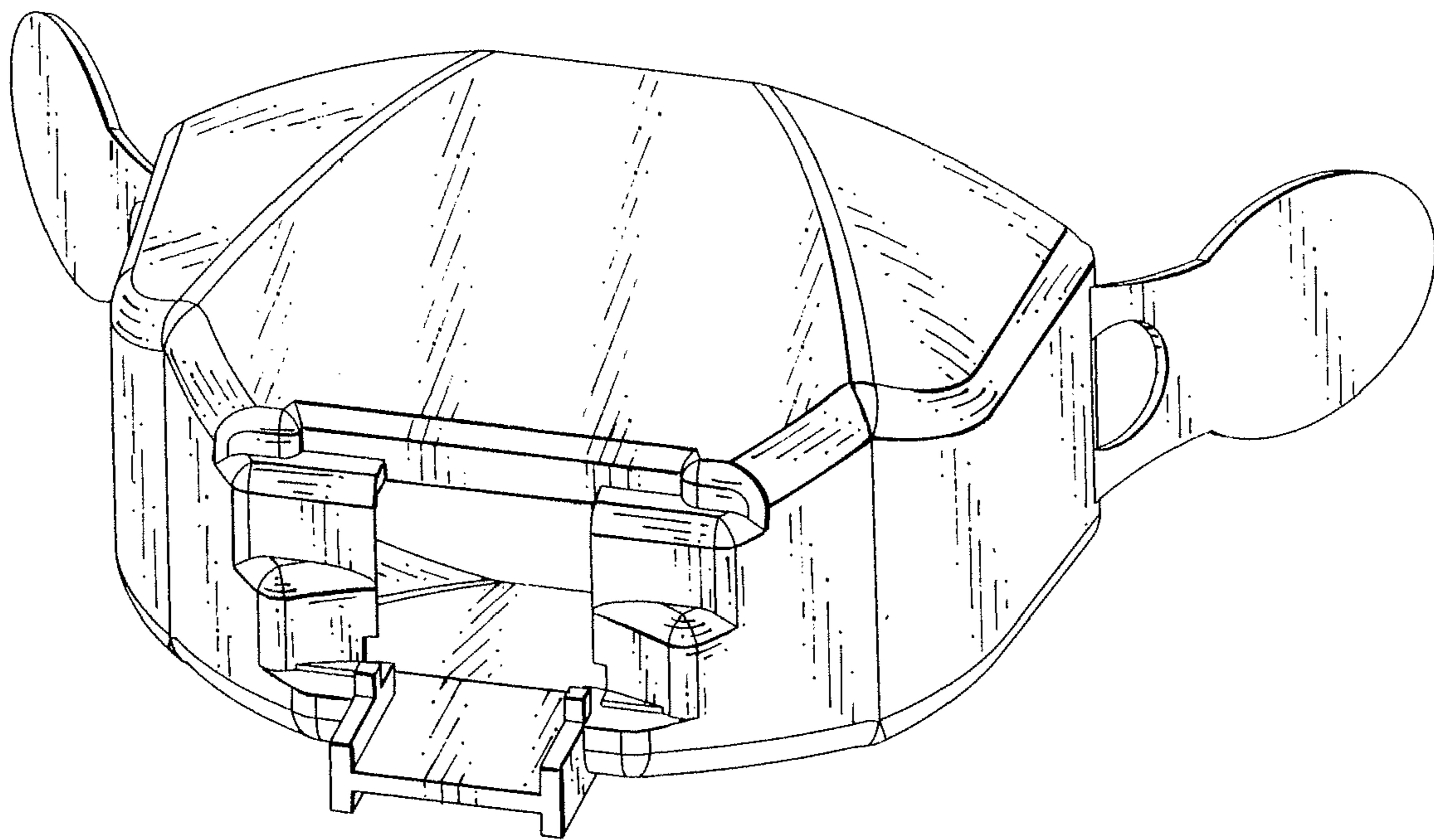


FIG.2

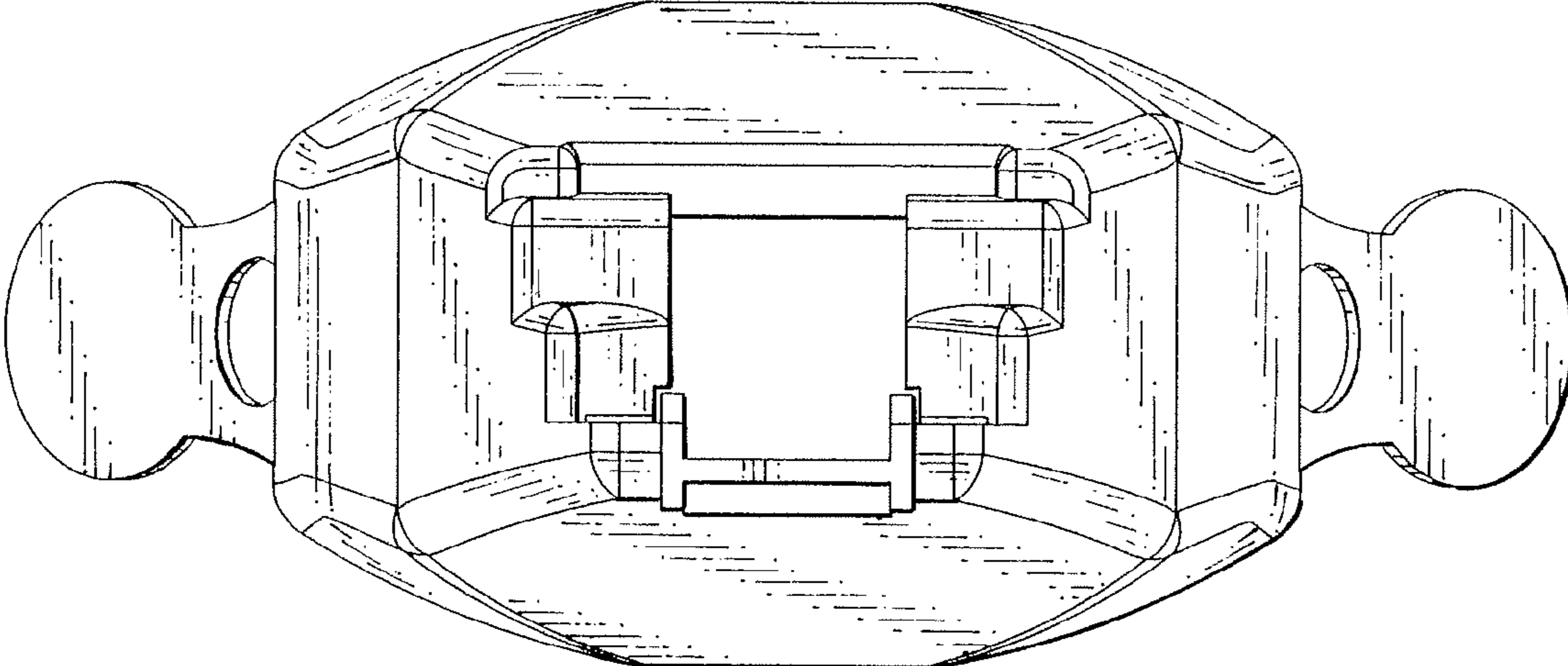


FIG.3

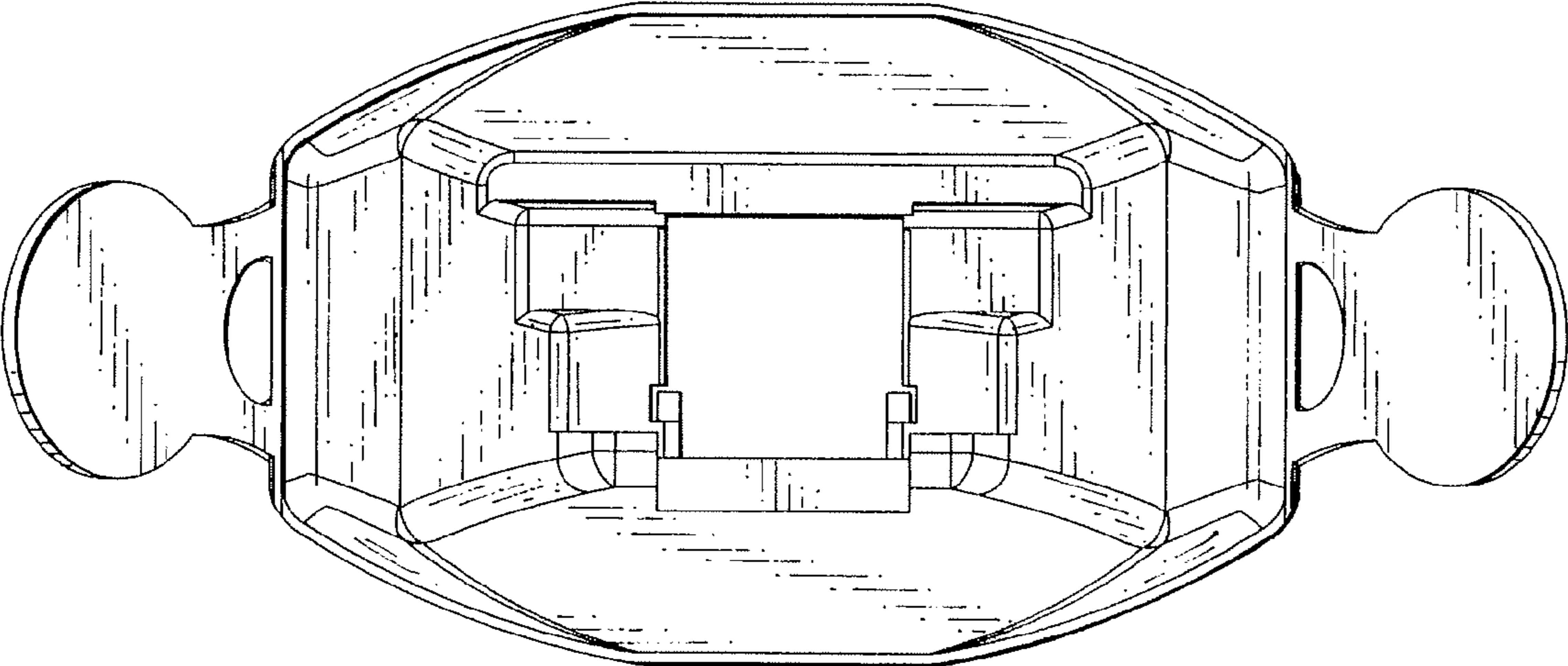


FIG.4

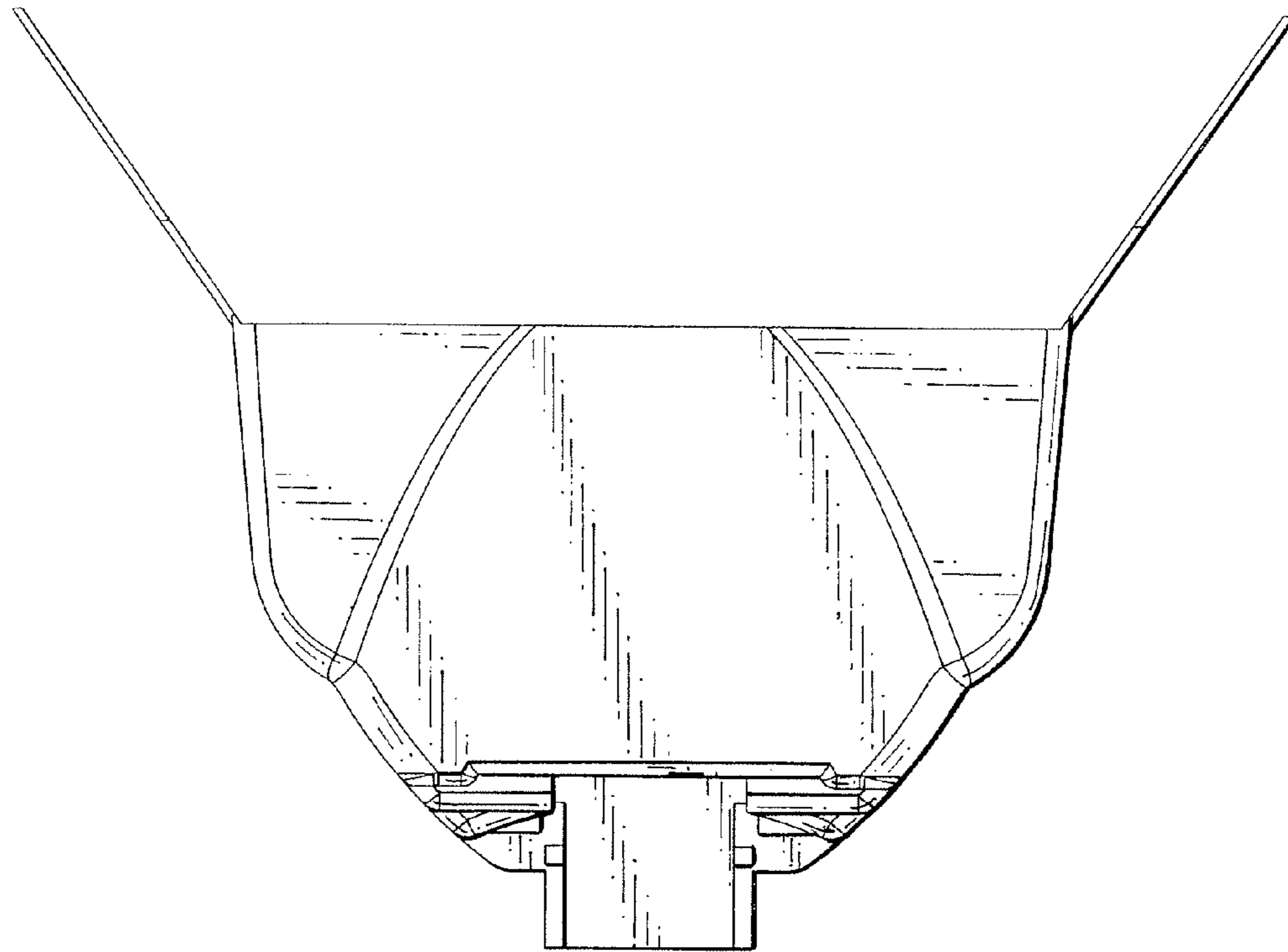


FIG.5

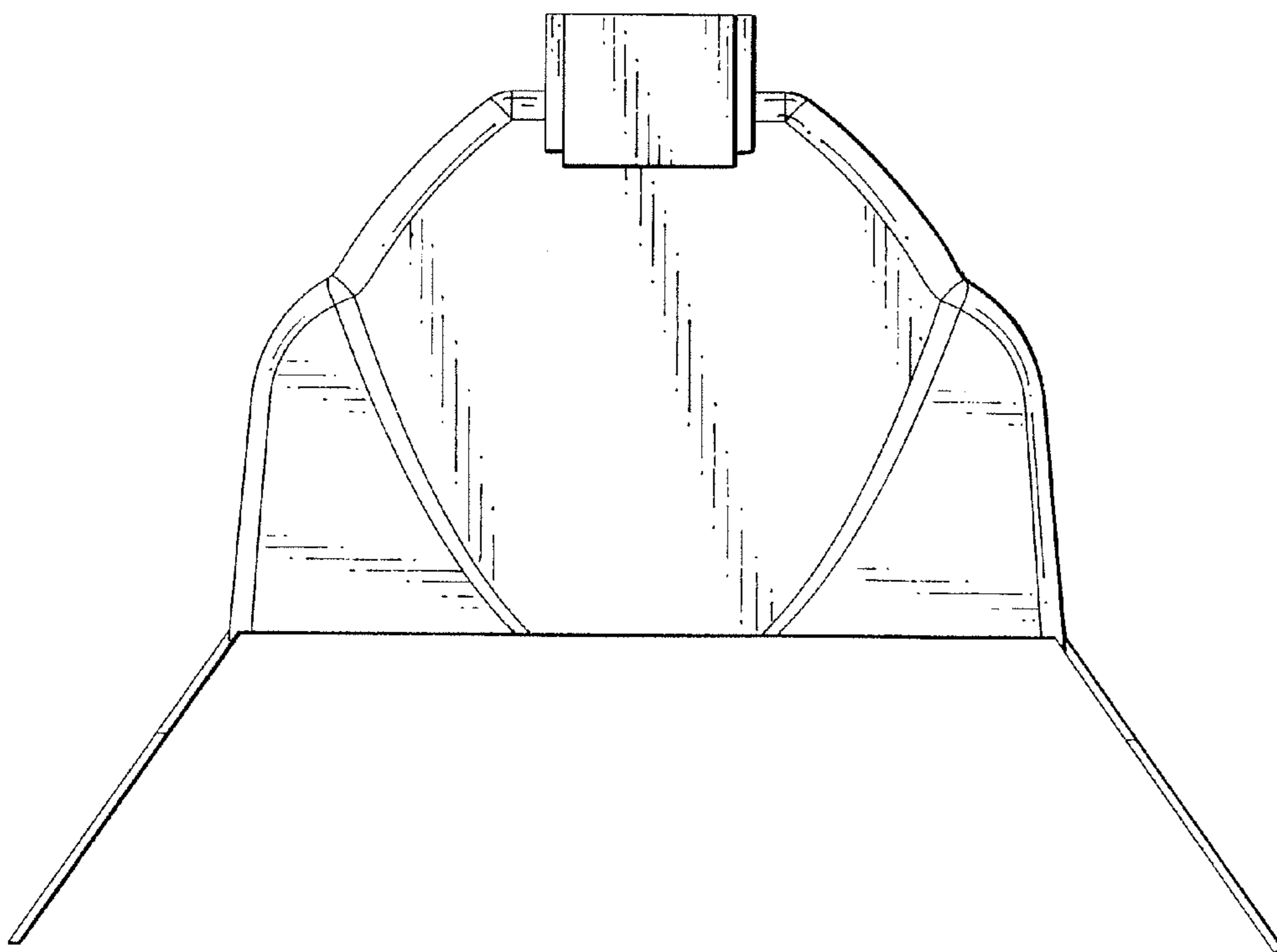


FIG.6

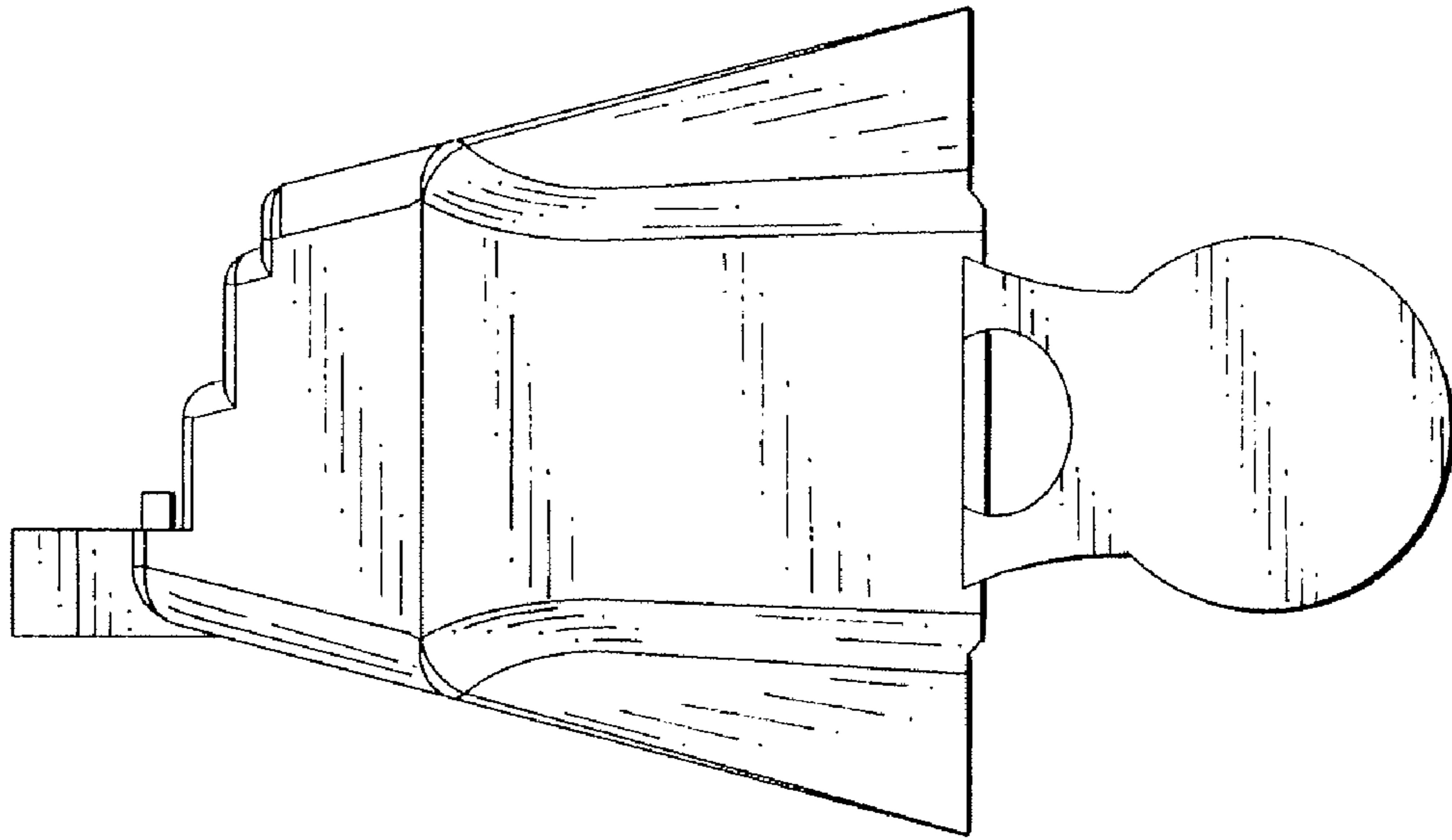


FIG.7

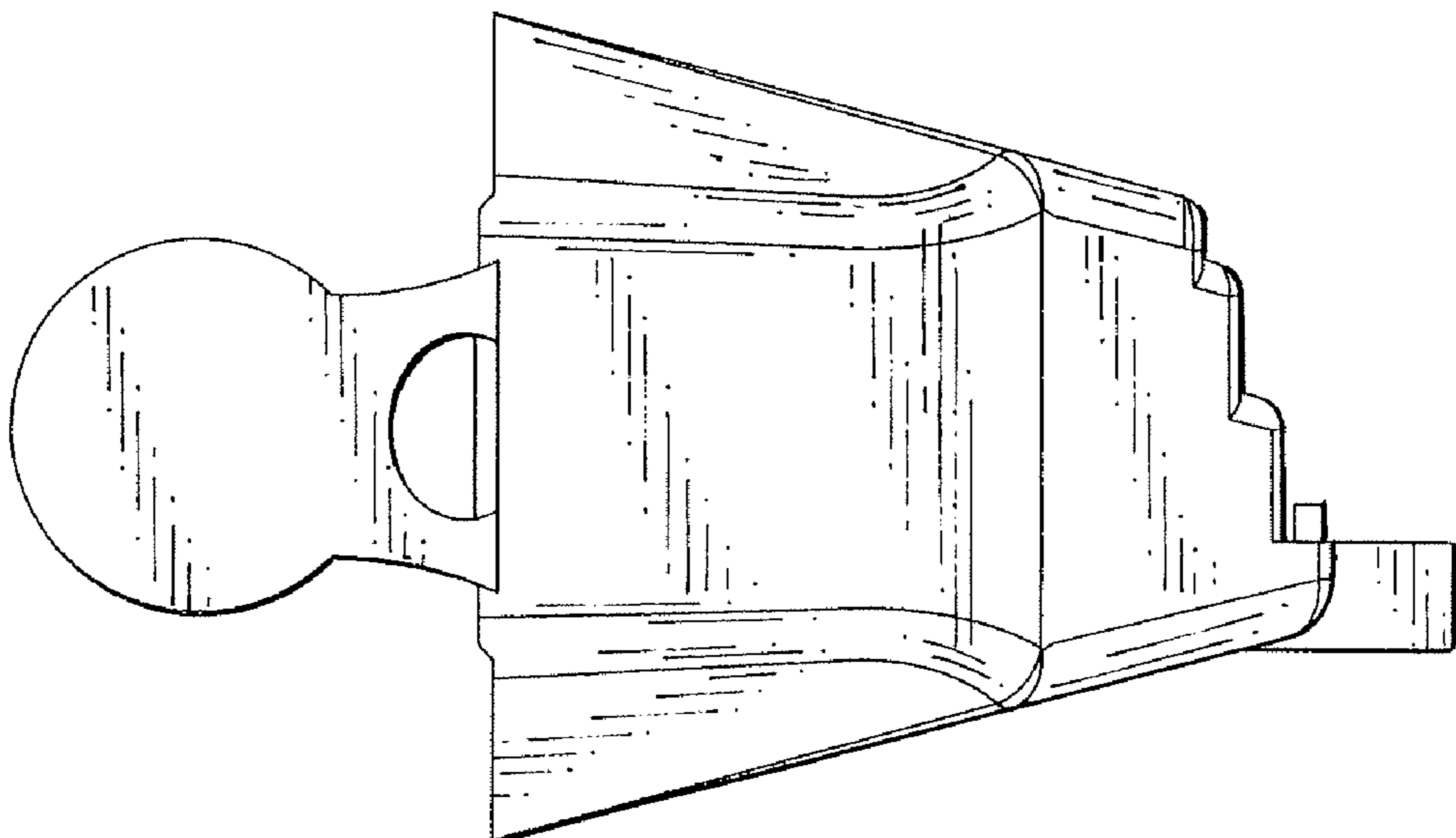


FIG.8

