



US00D558879S

(12) **United States Design Patent**
Eda et al.

(10) **Patent No.:** **US D558,879 S**
(45) **Date of Patent:** **** Jan. 1, 2008**

(54) **SPHYGMOMANOMETER**
(75) Inventors: **Kenji Eda**, Osaka (JP); **Tadashi Koike**,
Kyoto (JP); **Takefumi Nakanishi**,
Kyoto (JP); **Masashi Fukura**, Kyoto
(JP); **Chiaki Murata**, Osaka (JP)

D463,561 S * 9/2002 Fukatsu et al. D24/165
D473,945 S * 4/2003 Nakanishi et al. D24/165
D475,136 S * 5/2003 Taniguchi D24/165
D484,980 S * 1/2004 Hartwein et al. D24/165
D496,104 S * 9/2004 Eda et al. D24/165
D516,724 S * 3/2006 Inagaki et al. D24/165
D522,655 S * 6/2006 Nakagawa D24/165

(73) Assignee: **Omron Healthcare Co., Ltd.**, Kyoto
(JP)

* cited by examiner

(**) Term: **14 Years**

Primary Examiner—Louis S. Zarfes

Assistant Examiner—Anhdao Doan

(21) Appl. No.: **29/217,863**

(74) *Attorney, Agent, or Firm*—Harness, Dickey & Pierce

(22) Filed: **Nov. 24, 2004**

(57) **CLAIM**

(30) **Foreign Application Priority Data**

The ornamental design for a sphygmomanometer, as shown
and described.

May 25, 2004 (JP) 2004-015374
May 25, 2004 (JP) 2004-015375
May 25, 2004 (JP) 2004-015376

DESCRIPTION

(51) **LOC (8) Cl.** **24-02**

(52) **U.S. Cl.** **D24/165**

(58) **Field of Classification Search** D24/165,
D24/186, 183; 600/502, 503, 499, 494, 490,
600/485, 500, 492, 480, 493, 495, 479; 128/900
See application file for complete search history.

FIG. 1 is a perspective view of an embodiment of a
sphygmomanometer showing our new design;

FIG. 2 is a front elevational view thereof;

FIG. 3 is a rear elevational view thereof;

FIG. 4 is a top plan view thereof;

FIG. 5 is a bottom plan view thereof;

FIG. 6 is a right side elevational view thereof; and,

FIG. 7 is a left side elevational view thereof.

(56) **References Cited**

U.S. PATENT DOCUMENTS

D373,419 S * 9/1996 Muramatsu et al. D24/165
D398,999 S * 9/1998 Maeda et al. D24/165
D403,070 S * 12/1998 Maeda et al. D24/165
D406,346 S * 3/1999 Hirakawa D24/165
D407,492 S * 3/1999 Lubs et al. D24/165
D426,637 S * 6/2000 Ochi et al. D24/165
D428,993 S * 8/2000 Lubs D24/165
D449,890 S * 10/2001 Semeriva D24/165

The broken lines are shown in the views for illustrative
purposes only, and form no part of the claimed design. When
in use, the sphygmomanometer may be wound around a
subject's wrist. The sphygmomanometer may have a liquid
crystal display that displays e.g., a maximum and a mini-
mum blood-pressure, pulse, measuring date and measuring
time.

1 Claim, 4 Drawing Sheets

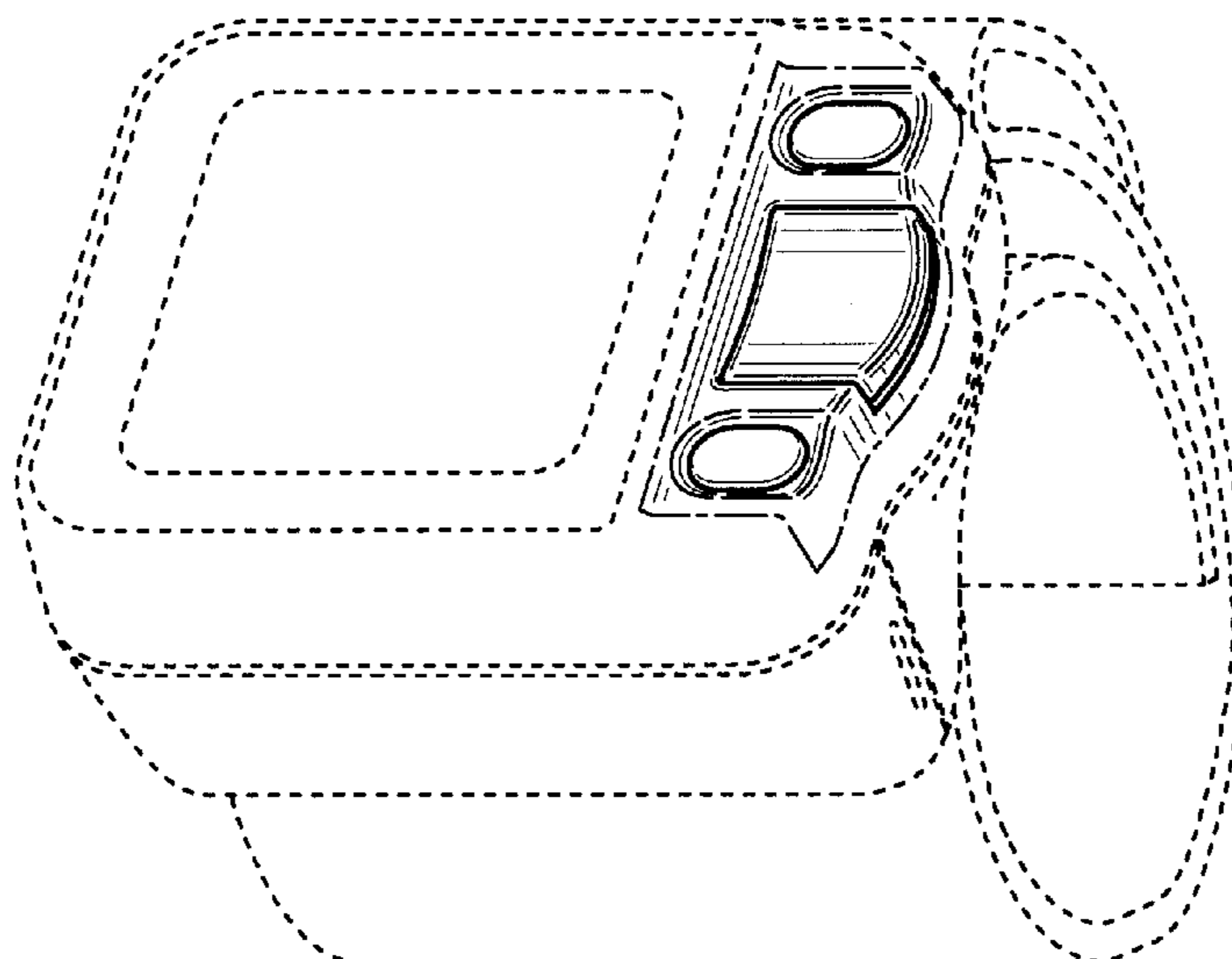


Fig. 1

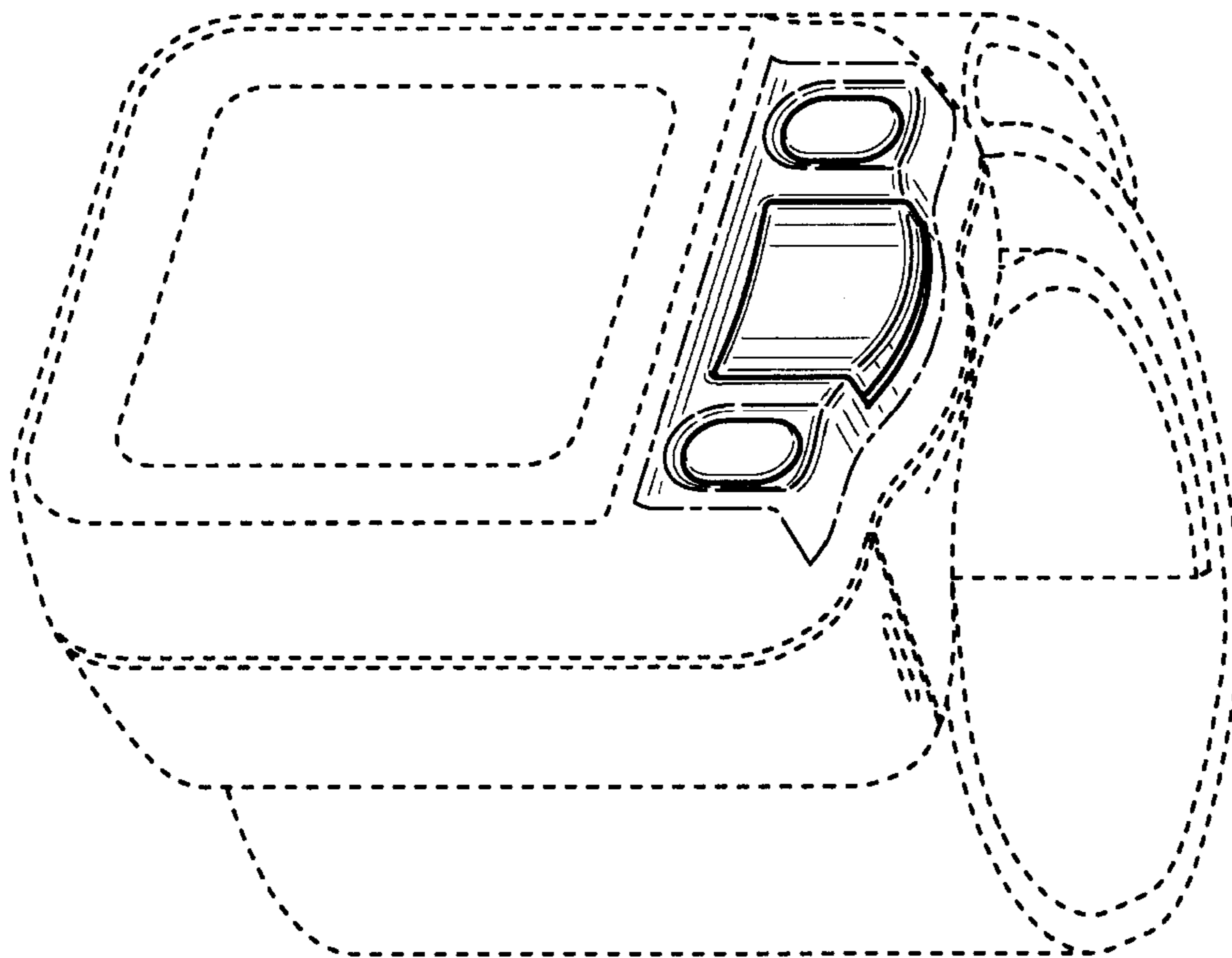


Fig. 2

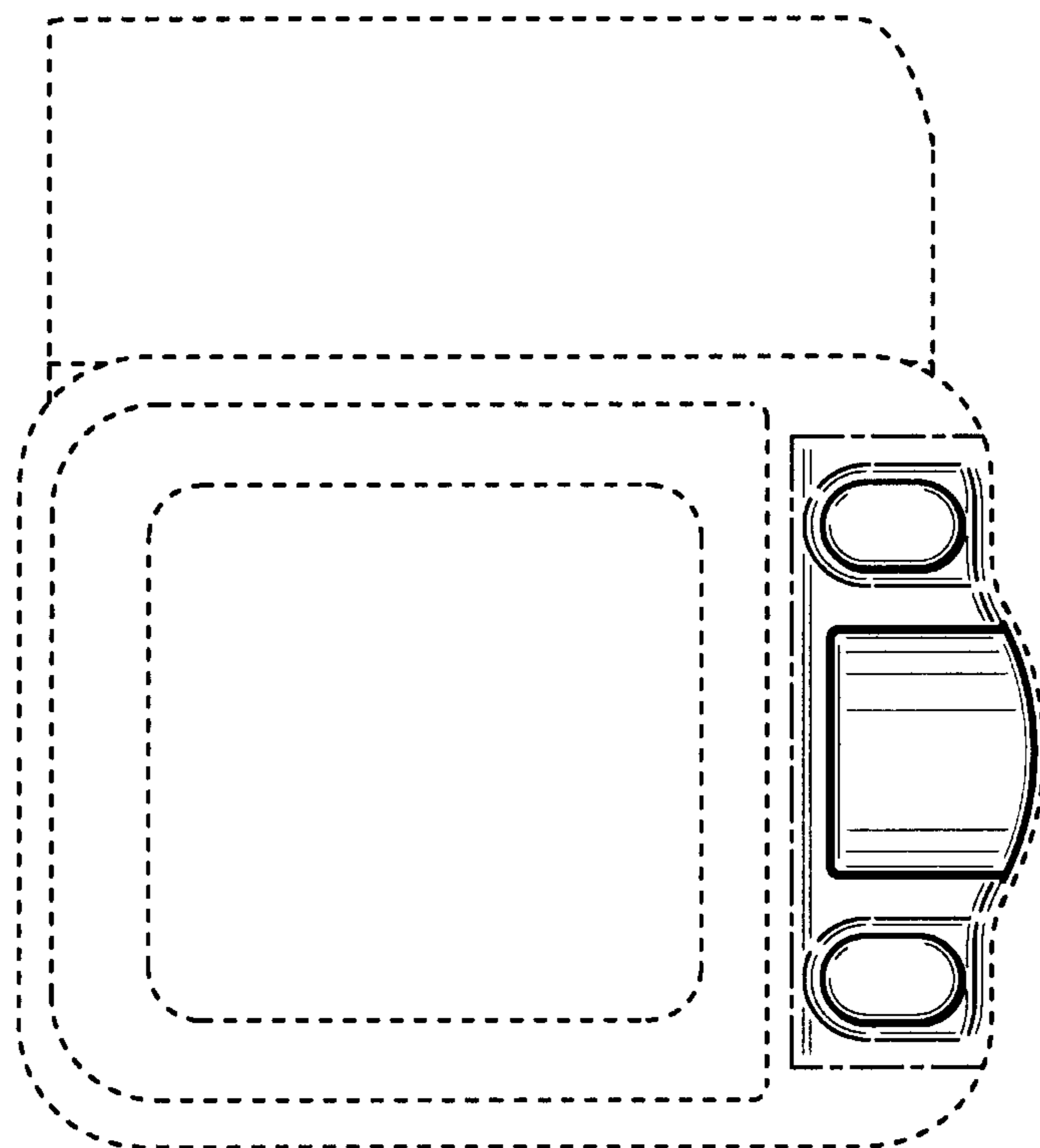


Fig. 3

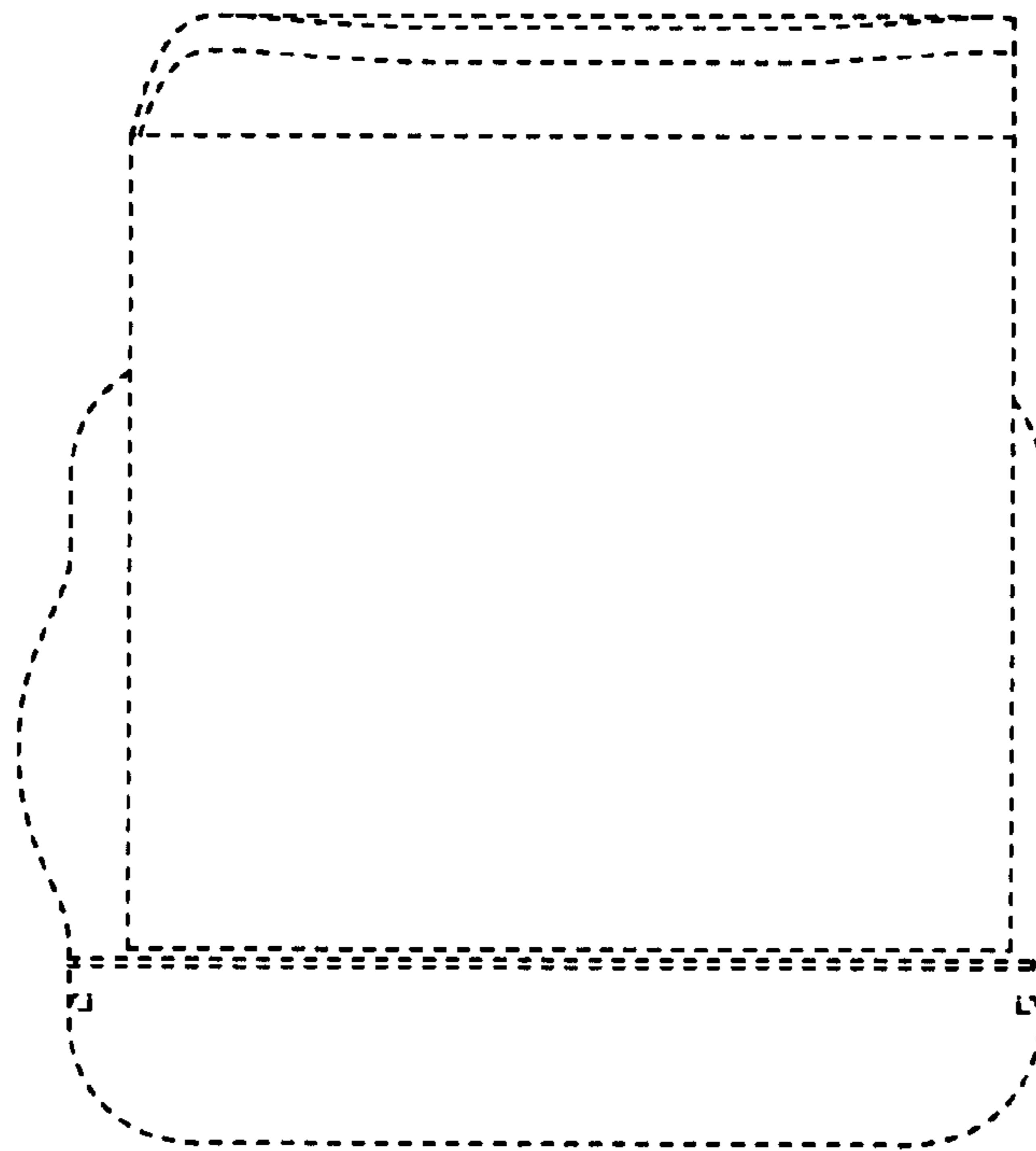


Fig. 4

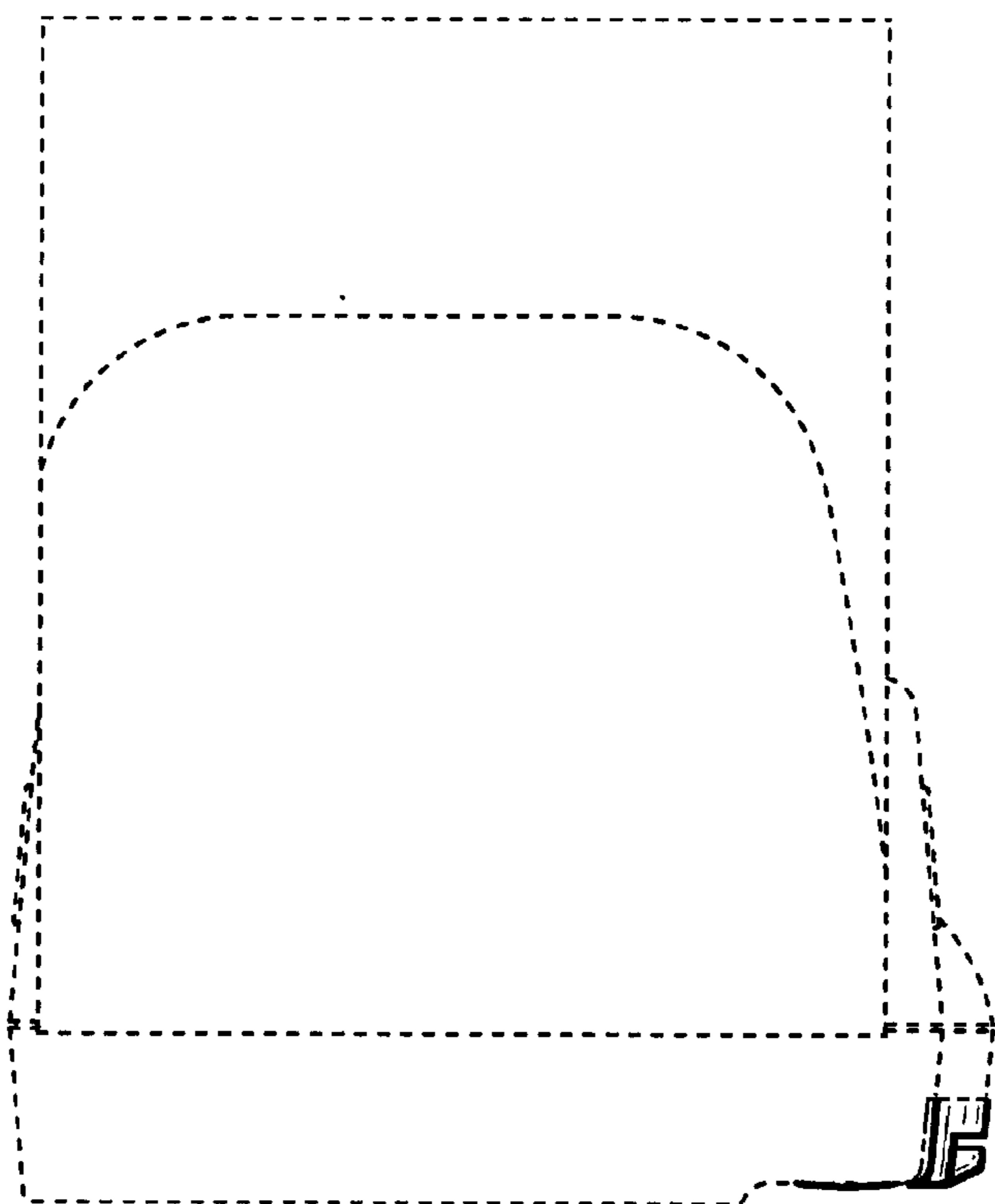


Fig. 5

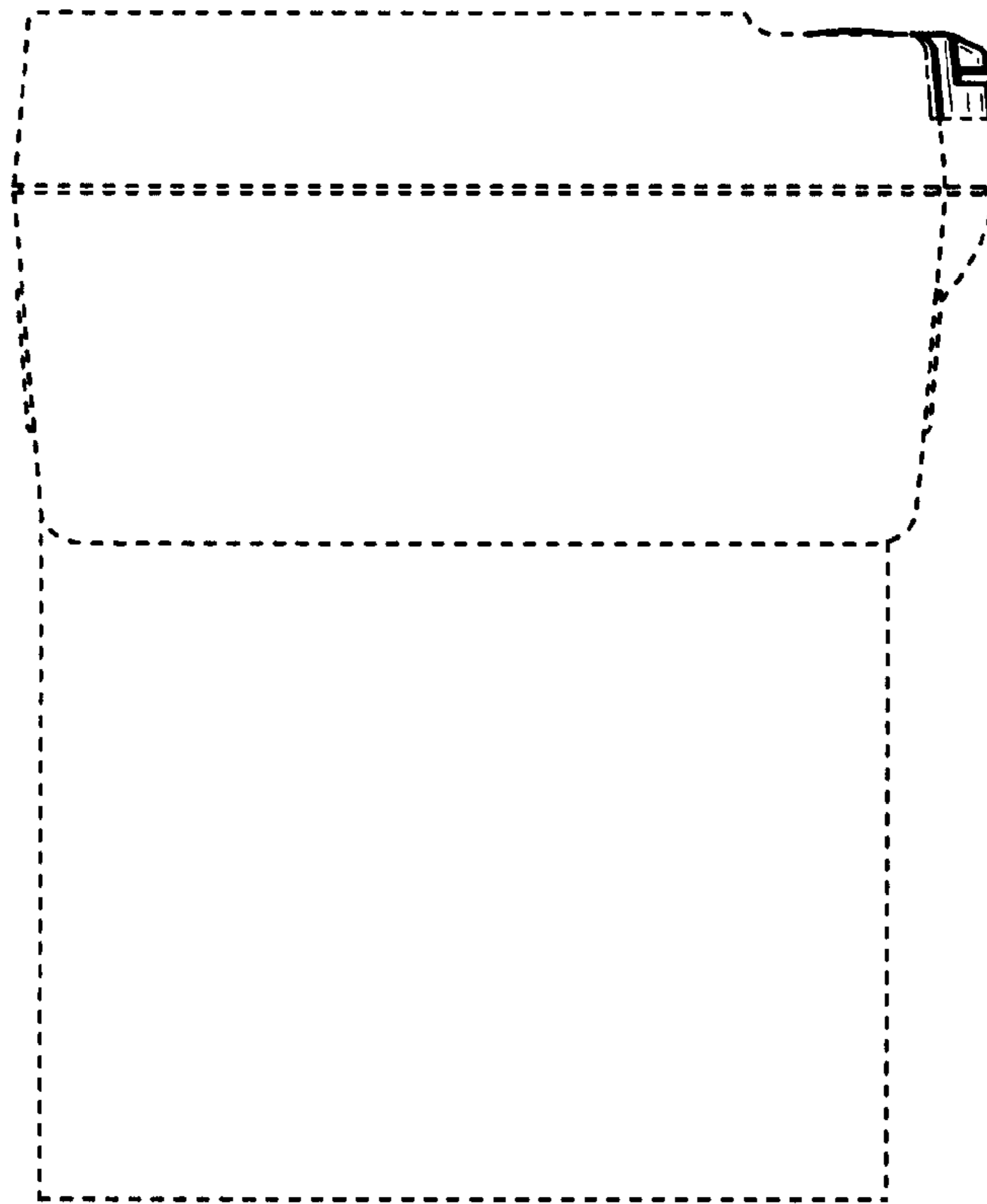


Fig. 6

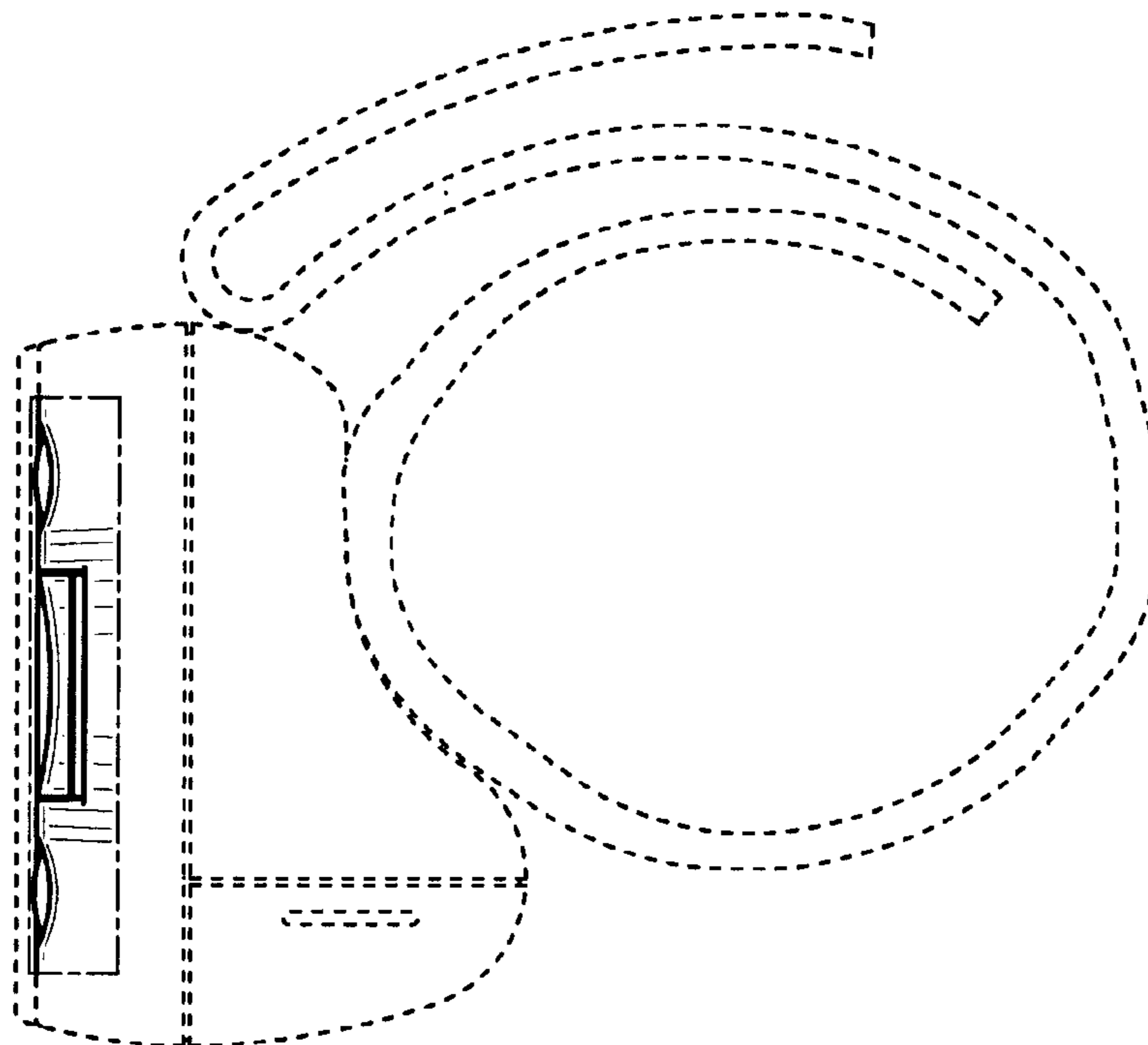
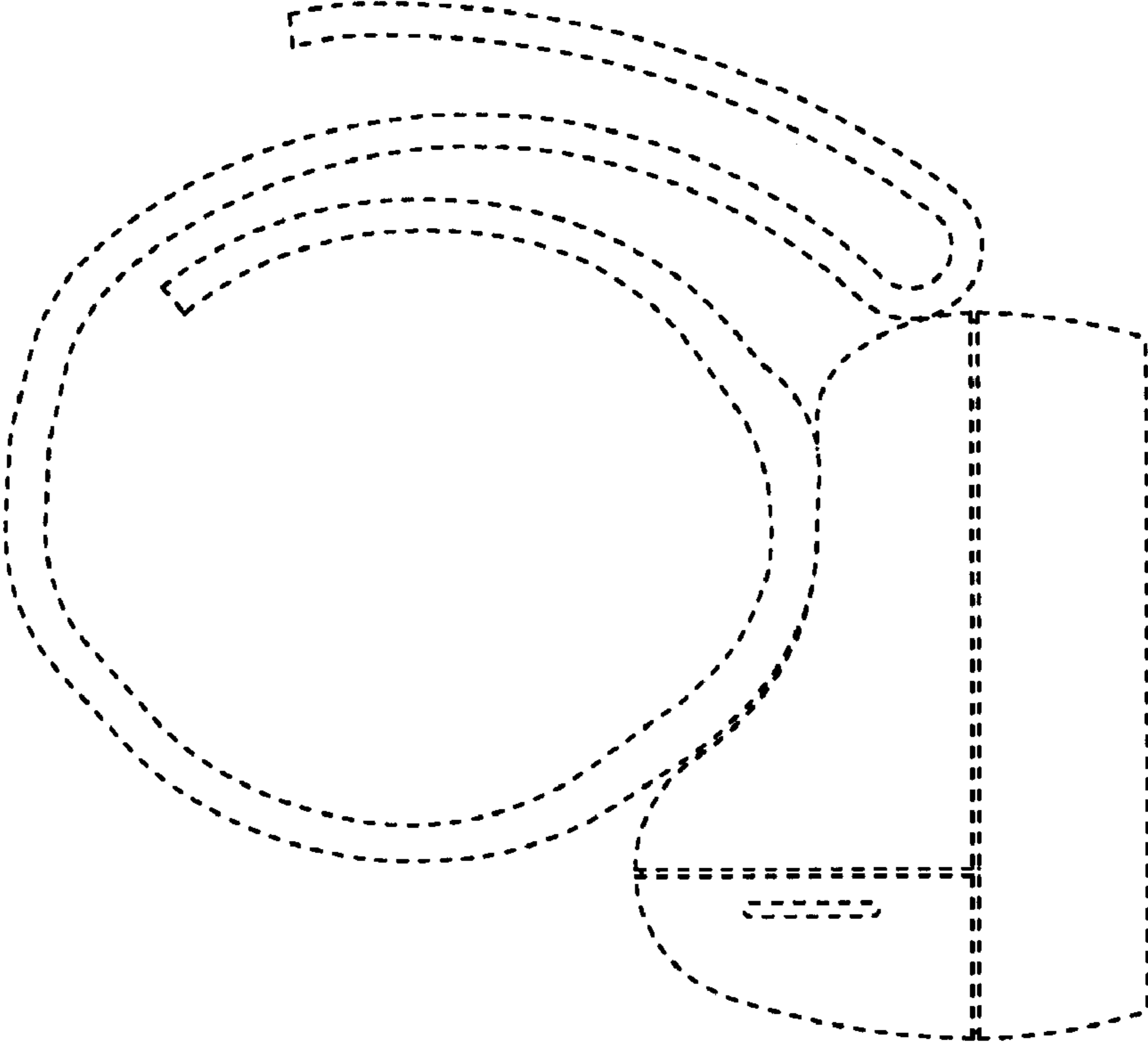


Fig. 7



UNITED STATES PATENT AND TRADEMARK OFFICE
CERTIFICATE OF CORRECTION

PATENT NO. : Des. 558,879 S
APPLICATION NO. : 29/217863
DATED : January 1, 2008
INVENTOR(S) : Kenji Eda et al.

Page 1 of 1

It is certified that error appears in the above-identified patent and that said Letters Patent is hereby corrected as shown below:

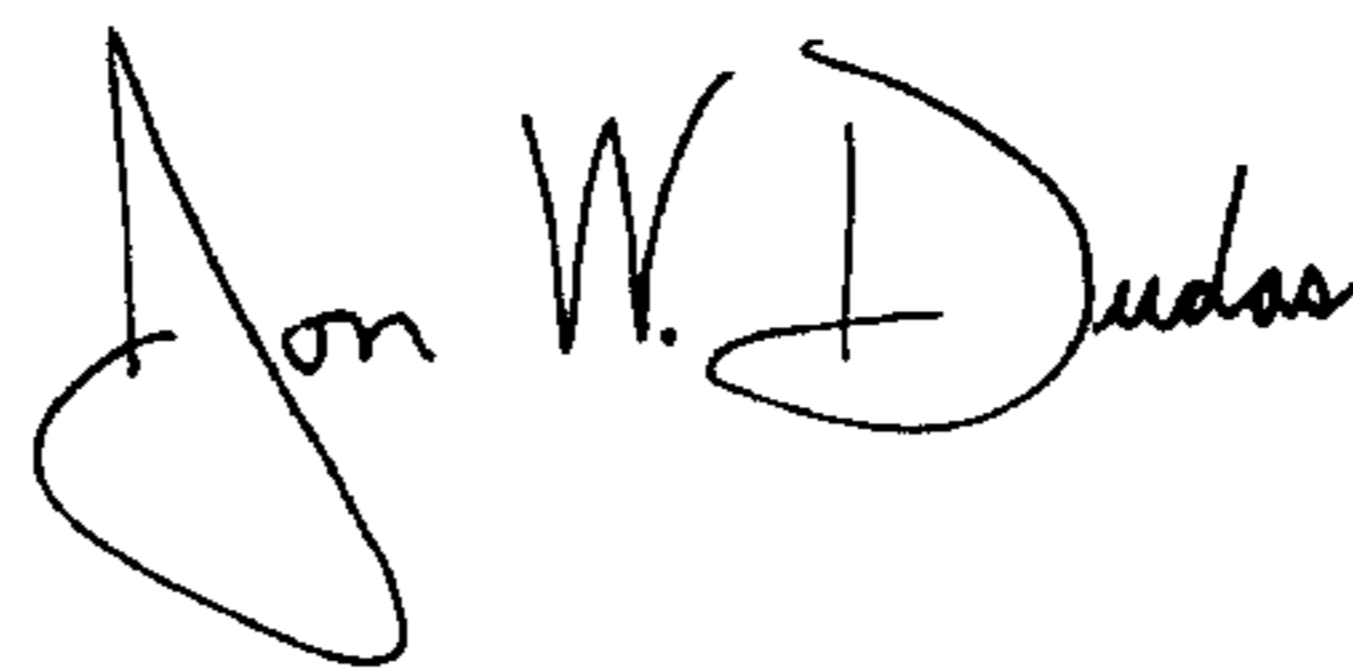
Title Page Description -should read-

~~The broken lines are shown in the views for illustrative purpose only, and form no part of the claimed design. When in use, the sphygmomanometer may be wound around a subject's wrist. The sphygmomanometer may have a liquid crystal display that displays e.g., a maximum and a minimum blood pressure, pulse, measuring date and measuring time.~~

The broken lines immediately adjacent the shaded areas represent the bounds of the claim, and all other broken lines are for illustrative purposes only. None of the broken lines form part of the claimed design.

Signed and Sealed this

Twenty-second Day of July, 2008



JON W. DUDAS
Director of the United States Patent and Trademark Office