



US00D558877S

(12) **United States Design Patent**  
**Ogiwara**

(10) **Patent No.:** **US D558,877 S**

(45) **Date of Patent:** **\*\* Jan. 1, 2008**

(54) **X-RAY APPARATUS FOR MEDICAL TREATMENT**

2005/0226392 A1\* 10/2005 Strobel et al. .... 378/197

**FOREIGN PATENT DOCUMENTS**

(75) Inventor: **Susumu Ogiwara**, Kumagaya (JP)

JP 859739 1/1993

JP 879015 9/1993

(73) Assignees: **Kabushiki Kaisha Toshiba** (JP);  
**Toshiba Medical Systems Corporation**  
(JP)

JP 1067890 4/2000

\* cited by examiner

(\*\*) Term: **14 Years**

*Primary Examiner*—Doris Clark

*Assistant Examiner*—Anhdao Doan

(21) Appl. No.: **29/225,731**

(74) *Attorney, Agent, or Firm*—Banner & Witcoff, Ltd.

(22) Filed: **Mar. 21, 2005**

(57) **CLAIM**

(30) **Foreign Application Priority Data**

The ornamental design for an x-ray apparatus for medical treatment, as shown and described.

Nov. 26, 2004 (JP) ..... 2004-036201

**DESCRIPTION**

(51) **LOC (8) Cl.** ..... **24-01**

FIG. 1 is a front, top and left side perspective view of an x-ray apparatus for medical treatment, showing my new design;

(52) **U.S. Cl.** ..... **D24/158**

FIG. 2 is a front elevational view thereof;

(58) **Field of Classification Search** ..... D24/158-161,  
D24/183; 378/178-190, 193, 195-198, 208,  
378/209, 10, 11, 37-39

FIG. 3 is a rear elevational view thereof;

See application file for complete search history.

FIG. 4 is a top plan view thereof;

(56) **References Cited**

FIG. 5 is a bottom plan view thereof;

**U.S. PATENT DOCUMENTS**

FIG. 6 is a left side elevational view thereof;

4,716,581 A \* 12/1987 Barud ..... 378/198

FIG. 7 is a right side elevational view thereof;

4,887,287 A \* 12/1989 Cobben ..... 378/198

FIG. 8 is a perspective view thereof, showing the first position of the x-ray apparatus for medical treatment in use;

5,048,069 A \* 9/1991 Siczek ..... 378/197

FIG. 9 is another perspective view thereof, showing the second position of the x-ray apparatus for medical treatment in use; and,

5,050,204 A 9/1991 Siczek et al.

FIG. 10 is another perspective view thereof, showing the third position of the x-ray apparatus for medical treatment in use.

5,235,627 A \* 8/1993 Takagi ..... 378/151

D366,701 S 1/1996 Mazess et al.

D378,133 S 2/1997 Murakami et al.

D417,503 S \* 12/1999 Spoljaric ..... D24/158

6,031,891 A 2/2000 Roos et al.

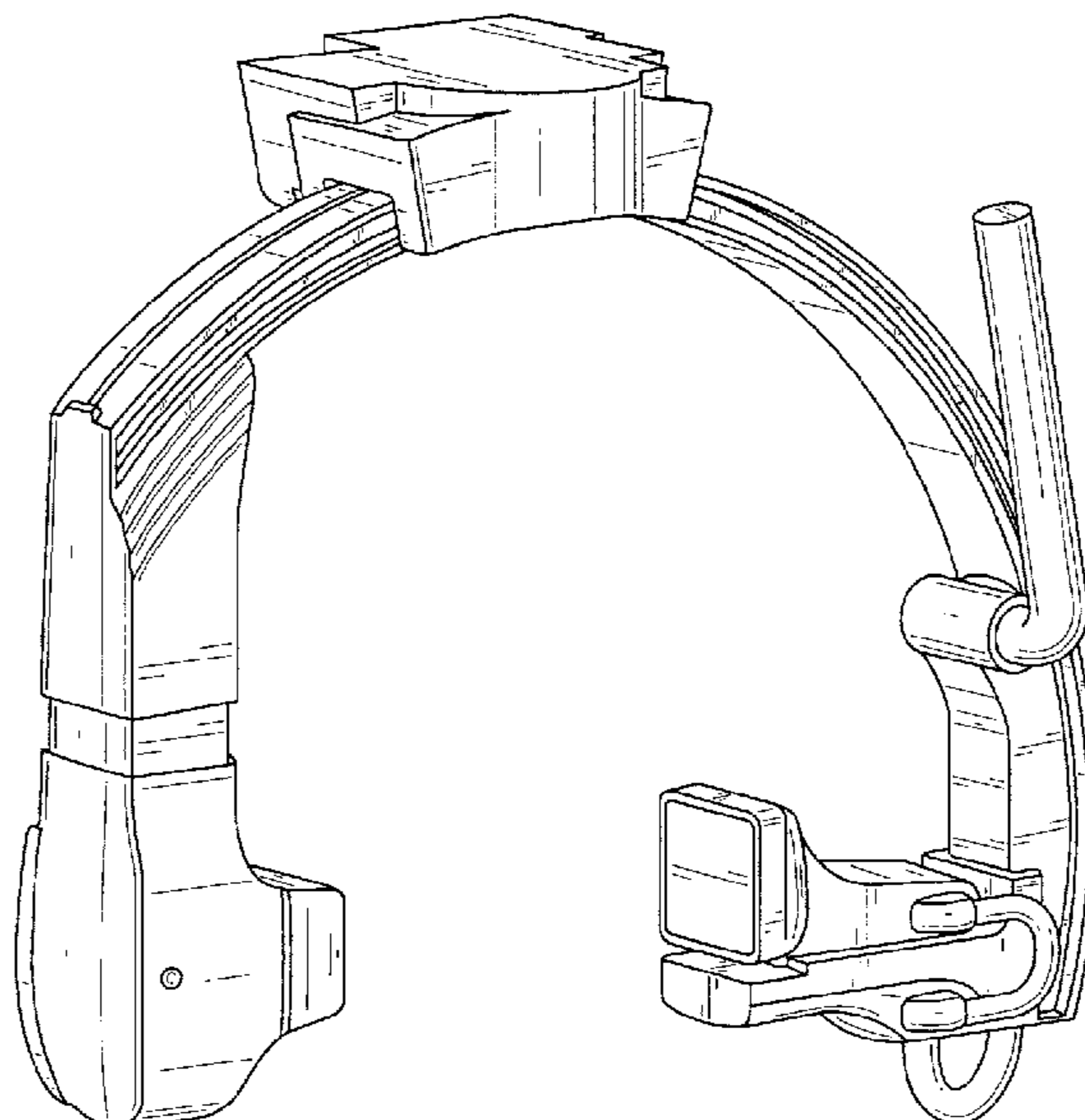
7,130,378 B2 \* 10/2006 Akutsu et al. .... 378/117

2004/0066906 A1 \* 4/2004 Hornegger et al. .... 378/197

2004/0081285 A1 \* 4/2004 Gotoh ..... 378/193

2004/0234039 A1 \* 11/2004 Karas et al. .... 378/196

**1 Claim, 7 Drawing Sheets**



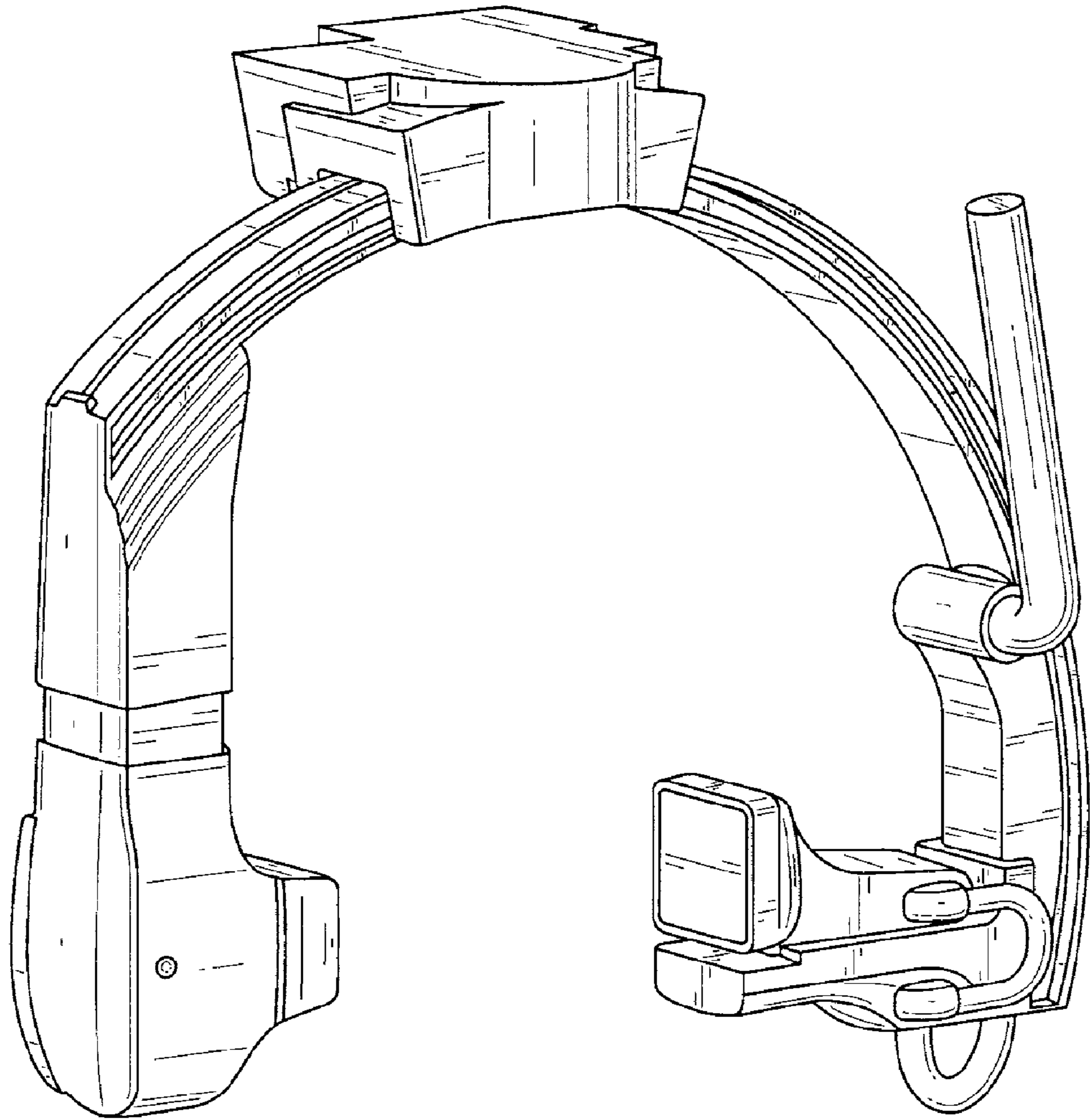


FIG. 1

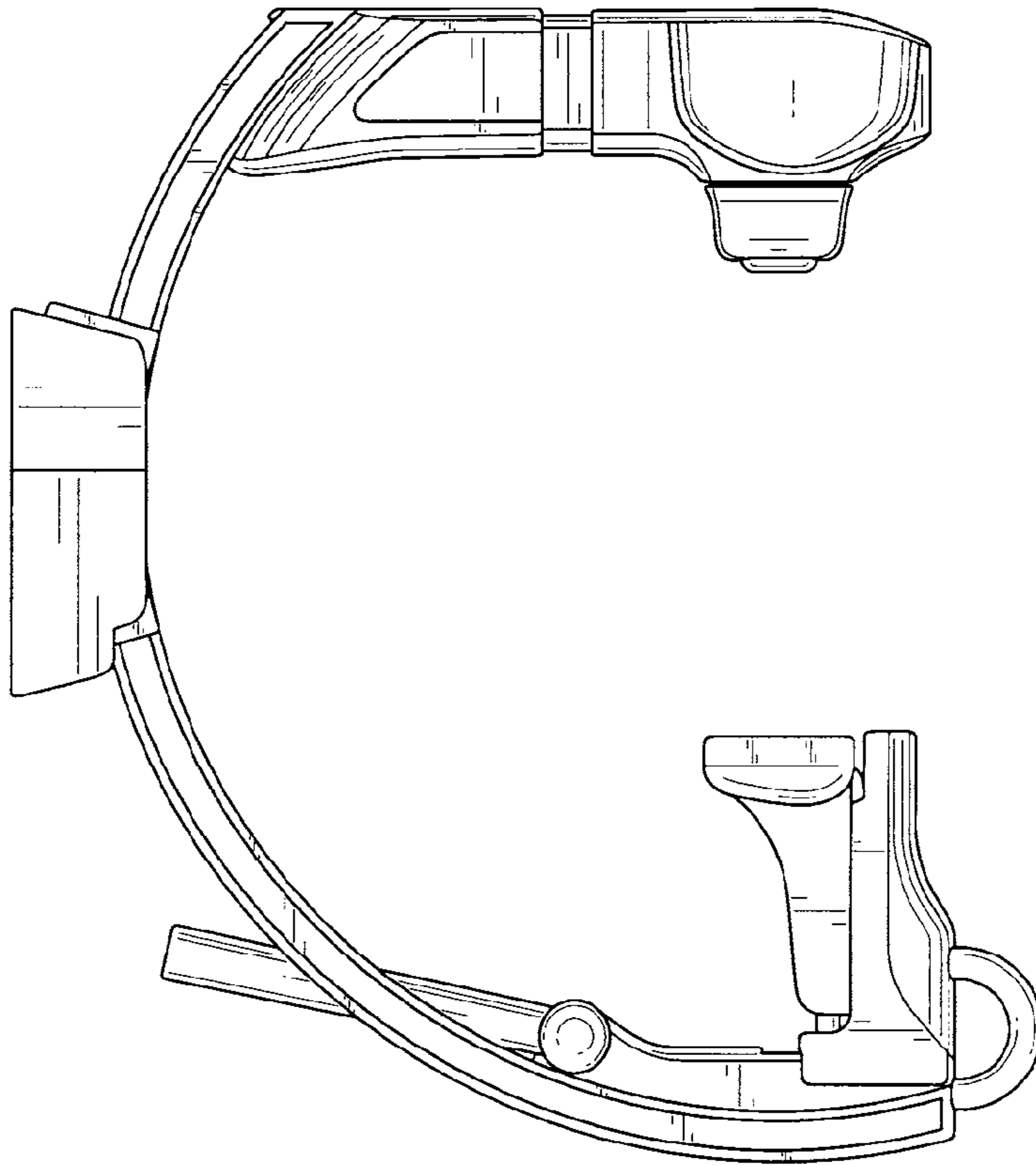


FIG. 3

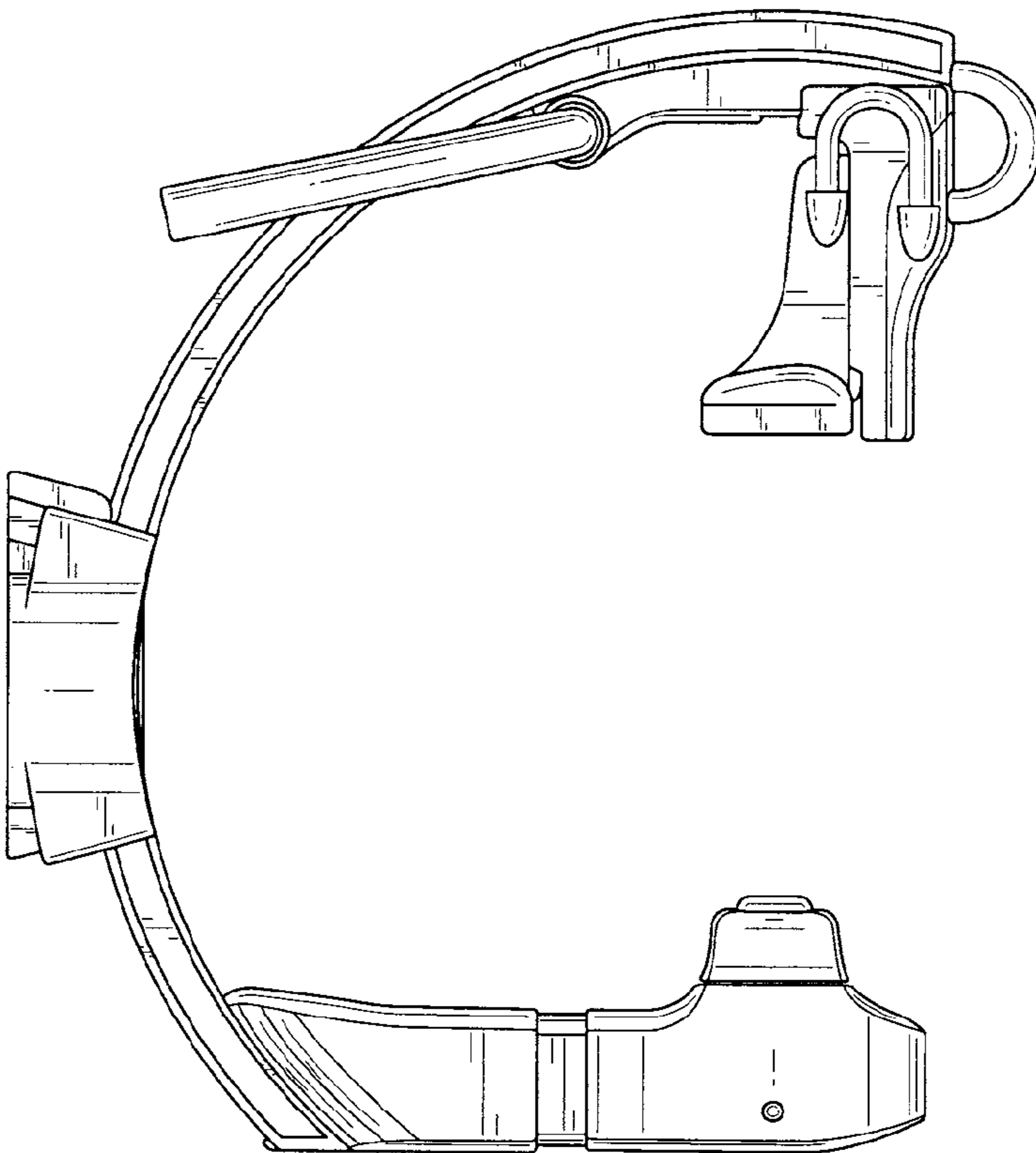


FIG. 2

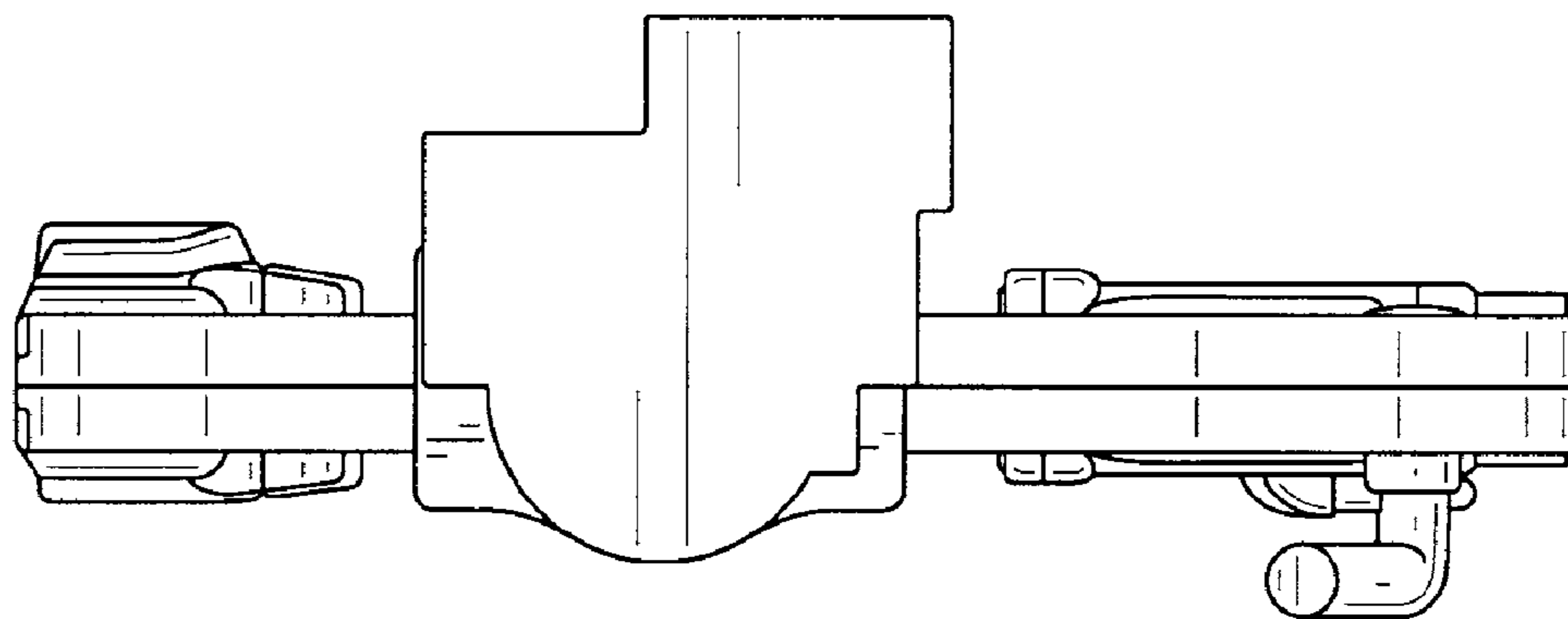


FIG. 4

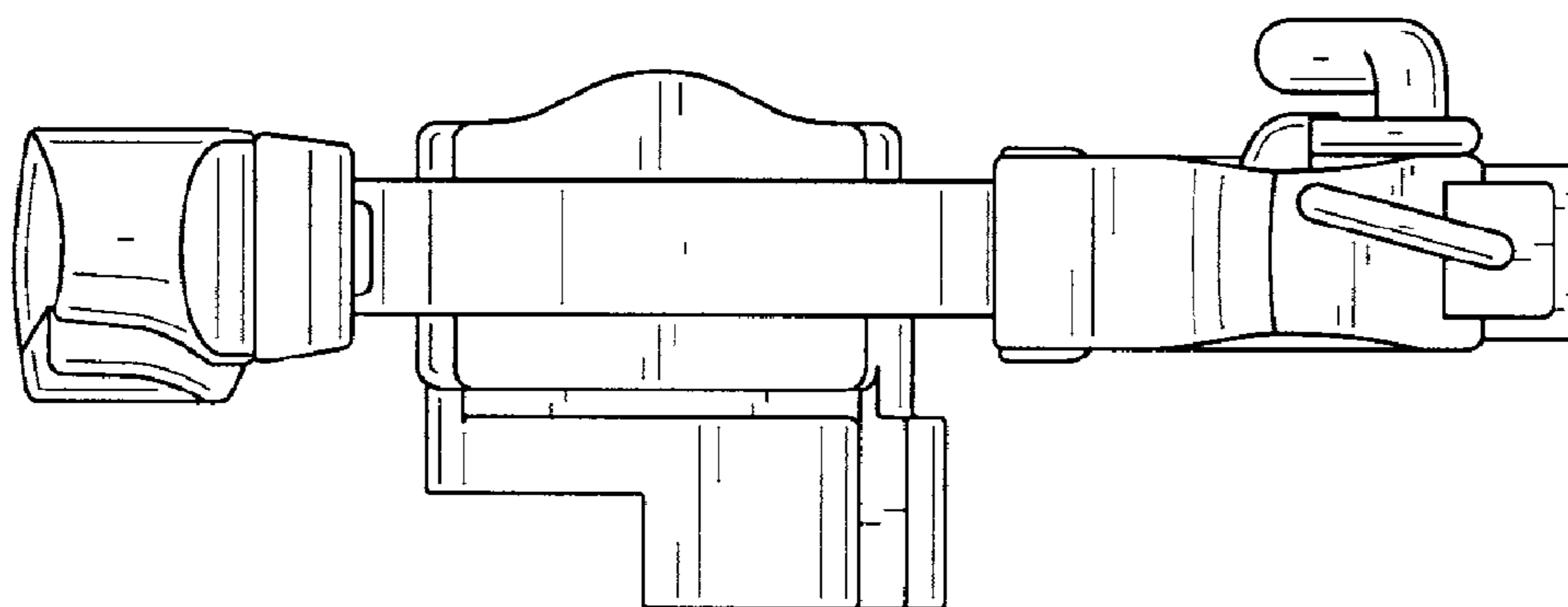


FIG. 5

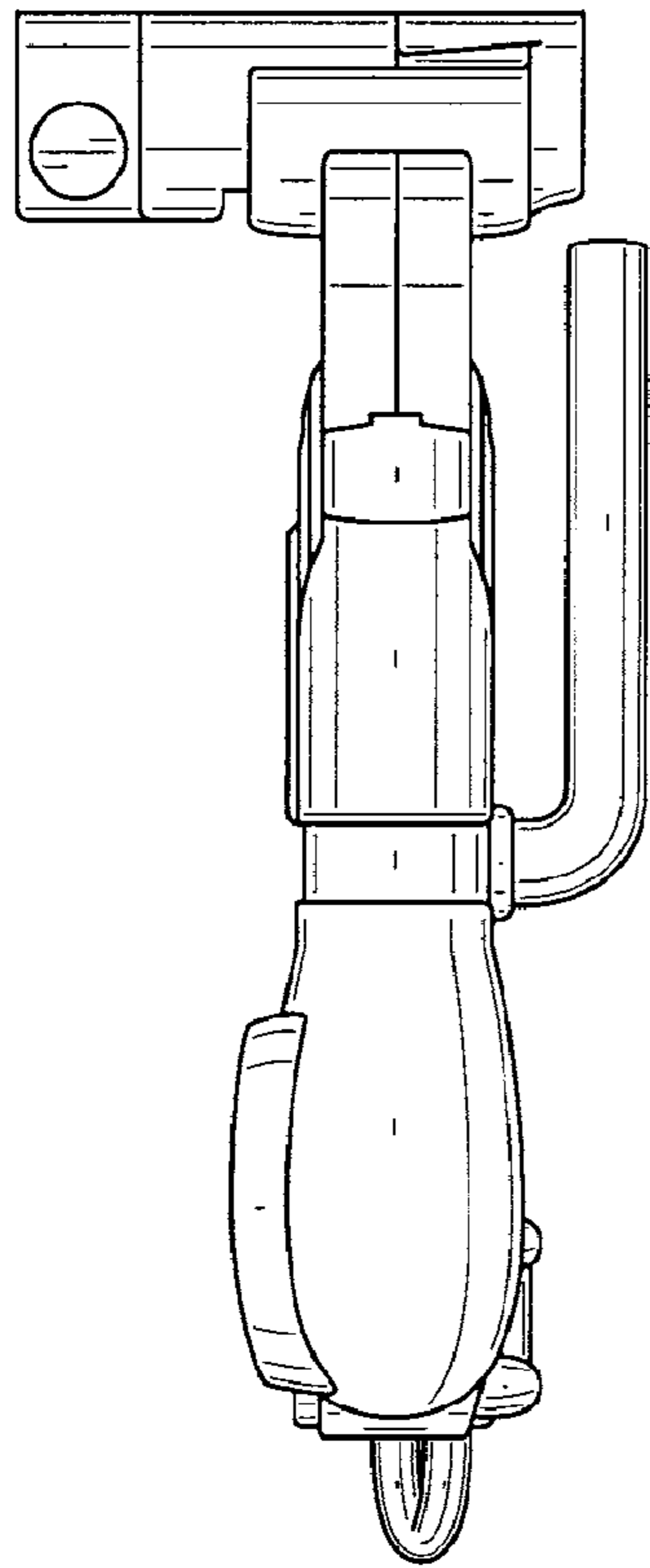


FIG. 6

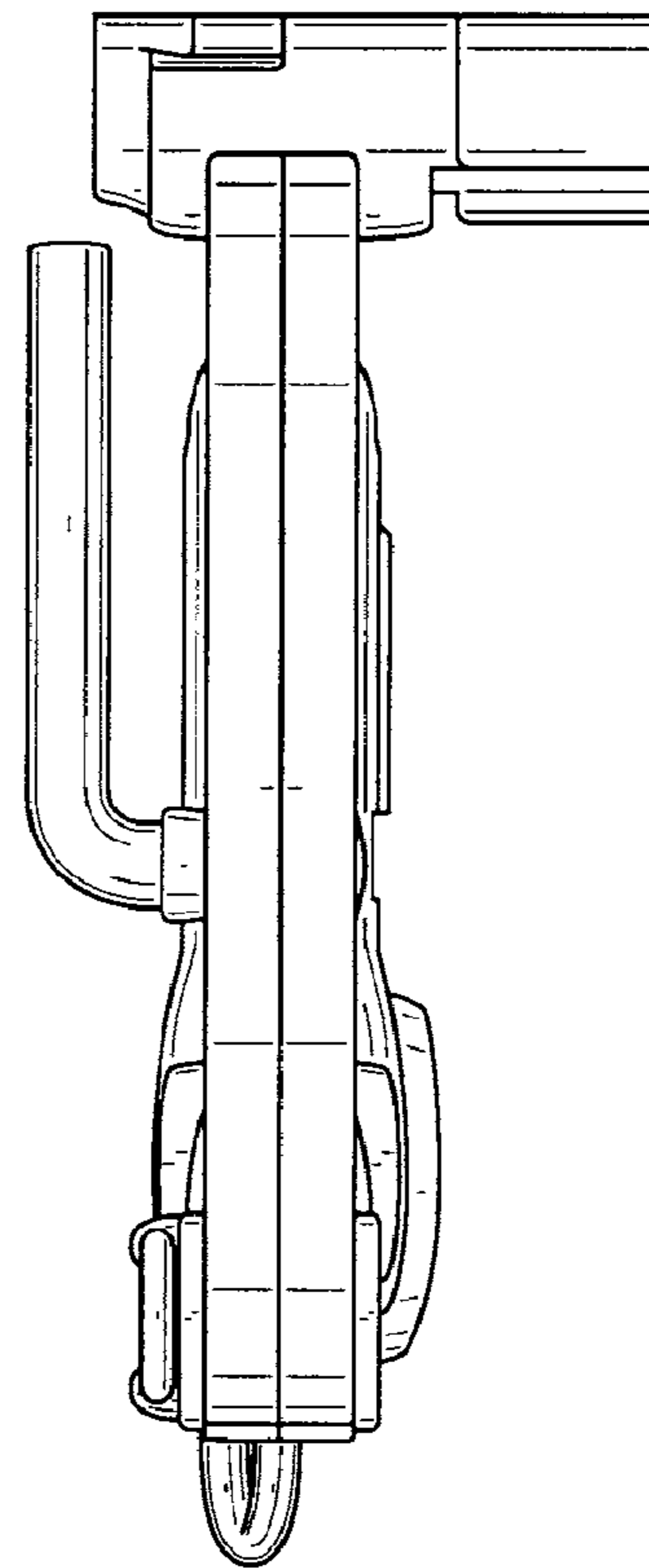


FIG. 7

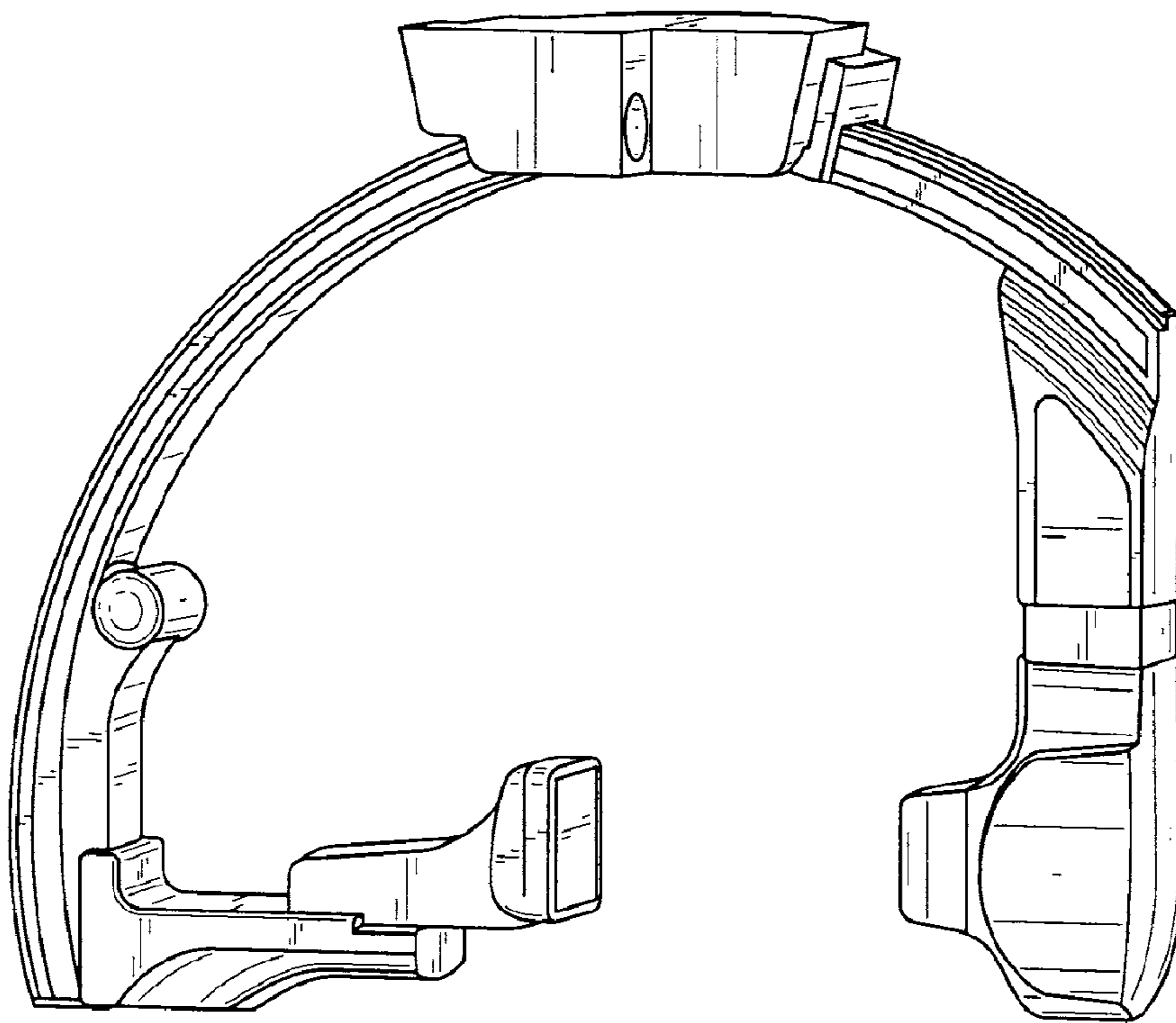


FIG. 8

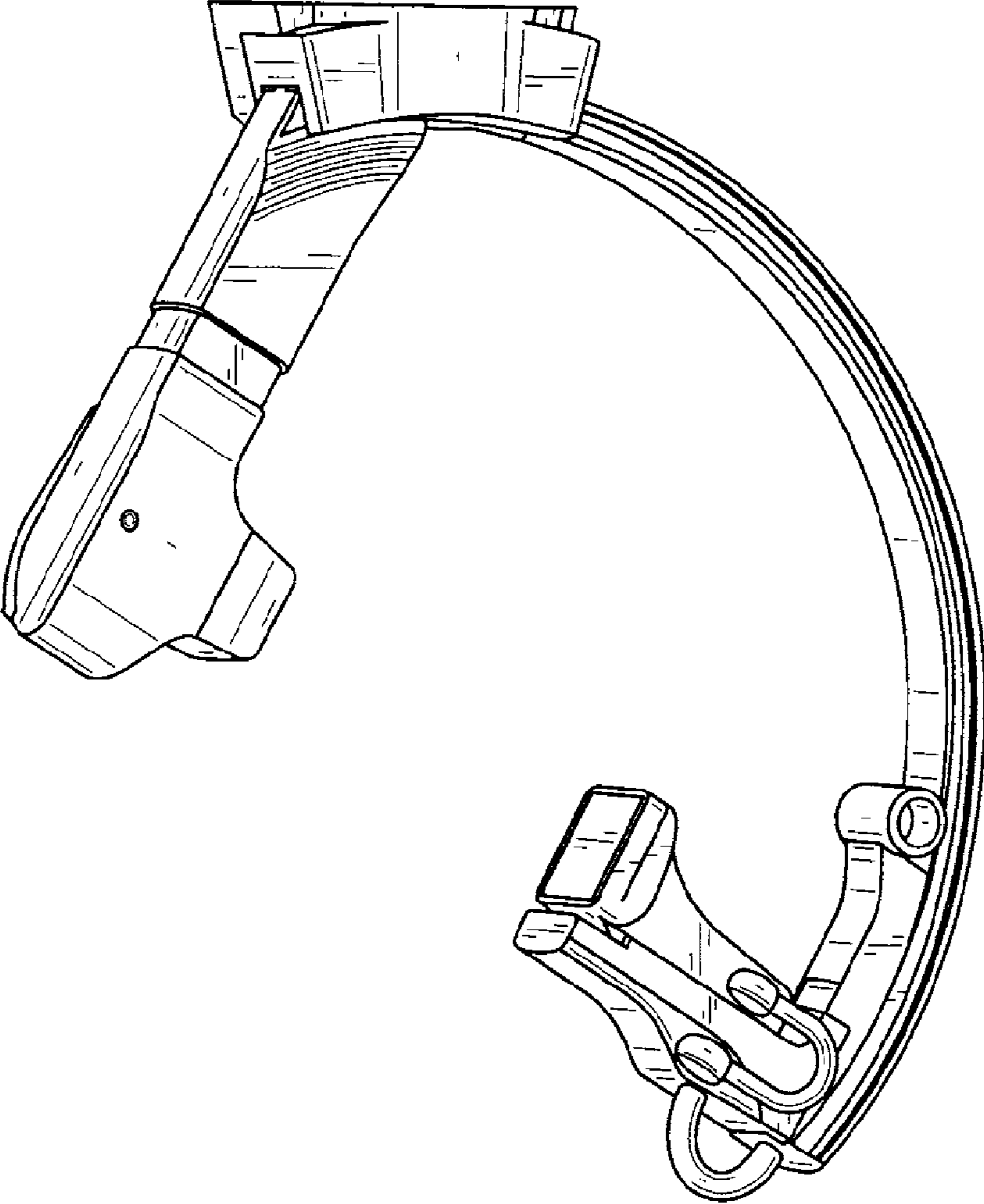


FIG. 9

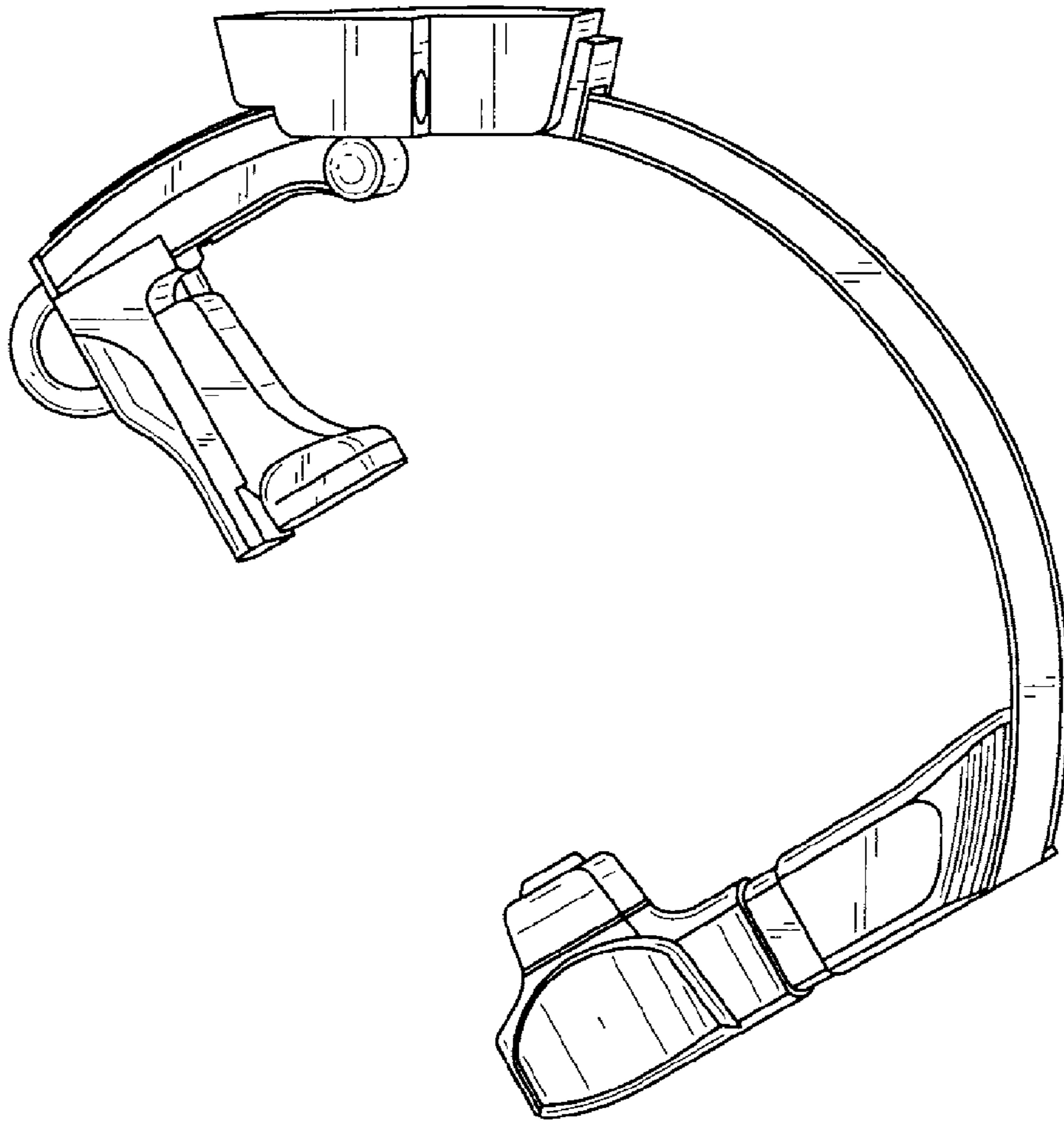


FIG. 10