



US00D558874S

(12) **United States Design Patent**  
**Tran et al.**

(10) **Patent No.:** **US D558,874 S**  
(45) **Date of Patent:** **\*\* Jan. 1, 2008**

(54) **SPHERICAL BREATH-ENHANCED NEBULIZER**

**DESCRIPTION**

(75) Inventors: **Tuan Quoc Tran**, Glen Allen, VA (US);  
**Amy Laituri Krieg**, Gushikawa (JP);  
**Travis Lontz**, Woodford, VA (US)

(73) Assignee: **PRE Holding, Inc.**, Midlothian, VA (US)

(\*\*) Term: **14 Years**

(21) Appl. No.: **29/266,488**

(22) Filed: **Sep. 22, 2006**

(51) **LOC (8) Cl.** ..... **29-02**

(52) **U.S. Cl.** ..... **D24/110**

(58) **Field of Classification Search** ..... D24/110;  
D9/560; D7/608; 128/200.14, 203.12, 200.23,  
128/204.21, 205.24, 203.28, 203.14, 205.13  
See application file for complete search history.

(56) **References Cited**

**U.S. PATENT DOCUMENTS**

D331,281 S *	11/1992	Levine	.....	D24/110
5,415,161 A *	5/1995	Ryder	.....	128/200.23
5,853,002 A *	12/1998	Kawasaki	.....	128/200.14
D441,069 S *	4/2001	Hammarlund et al.	.....	D24/110
6,578,571 B1 *	6/2003	Watt	.....	128/200.14
2006/0021613 A1 *	2/2006	Overlander	.....	128/200.14

\* cited by examiner

*Primary Examiner*—Ian Simmons

*Assistant Examiner*—Christopher Lee

(74) *Attorney, Agent, or Firm*—McGuireWoods LLP

(57) **CLAIM**

We claim the ornamental design for a spherical breath-enhanced nebulizer, as shown and described.

FIG. 1 is a perspective view of the spherical breath-enhanced nebulizer;

FIG. 2 is a front view of the design embodiment shown in FIG. 1;

FIG. 3 is a back view of the design embodiment shown in FIG. 1;

FIG. 4 is a left side view of the design embodiment shown in FIG. 1;

FIG. 5 is a right view of the design embodiment shown in FIG. 1;

FIG. 6 is a top view of the design of embodiment shown in FIG. 1;

FIG. 7 is a bottom view of the design of embodiment shown in FIG. 1

FIG. 8 is a perspective view of another aspect of the spherical breath-enhanced nebulizer;

FIG. 9 is a front view of the design embodiment shown in FIG. 8;

FIG. 10 is a back view of the design embodiment shown in FIG. 8;

FIG. 11 is a left side view of the design embodiment shown in FIG. 8;

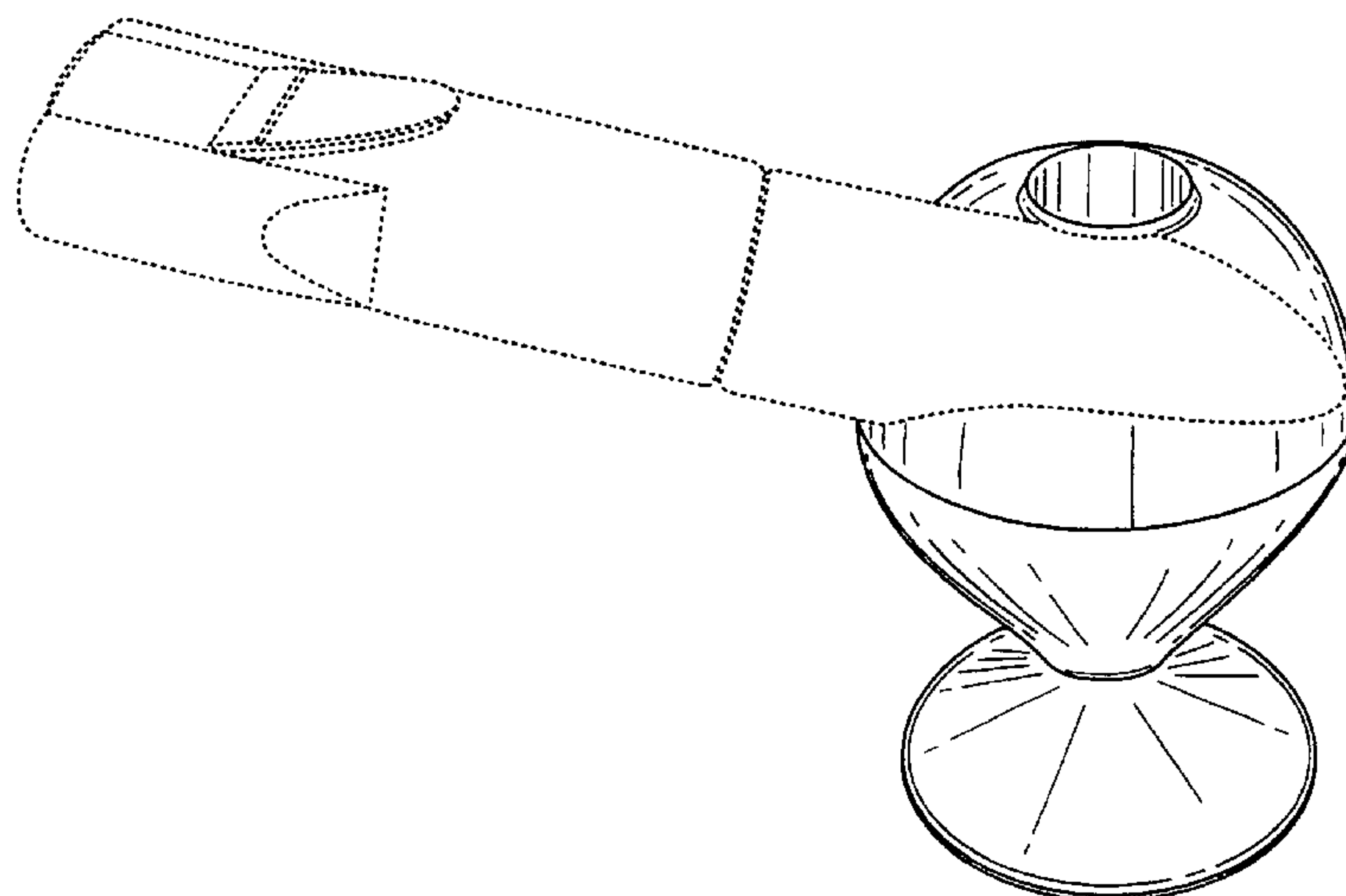
FIG. 12 is a right side view of the design embodiment shown in FIG. 8

FIG. 13 is a top view of the design embodiment shown in FIG. 8; and,

FIG. 14 is a bottom view of the design embodiment shown in FIG. 8.

The portion of the article in broken lines shown in FIGS. 1–12 are for illustrative purposes only and form no part of the claimed design.

**1 Claim, 8 Drawing Sheets**



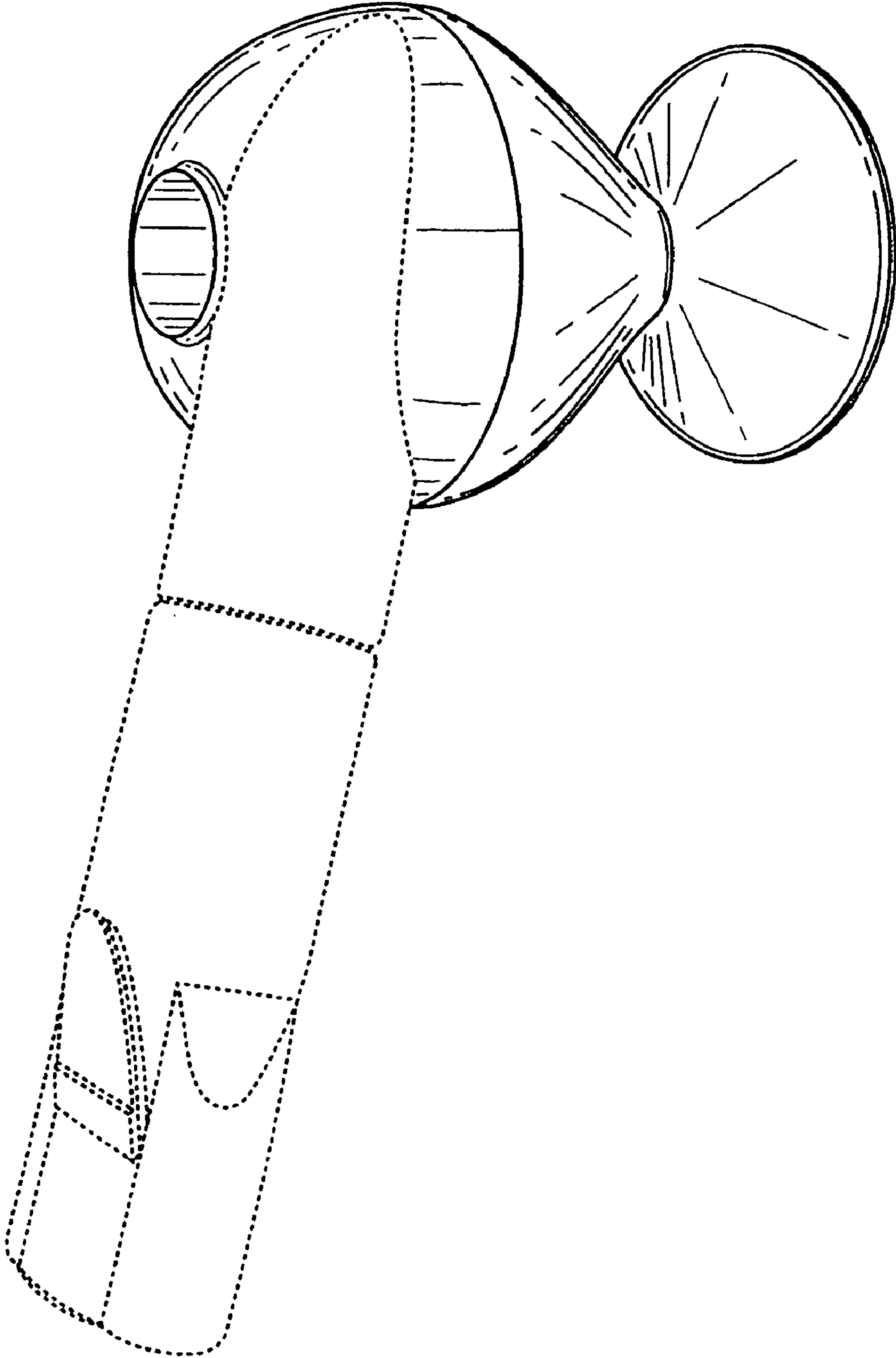


Fig. 1

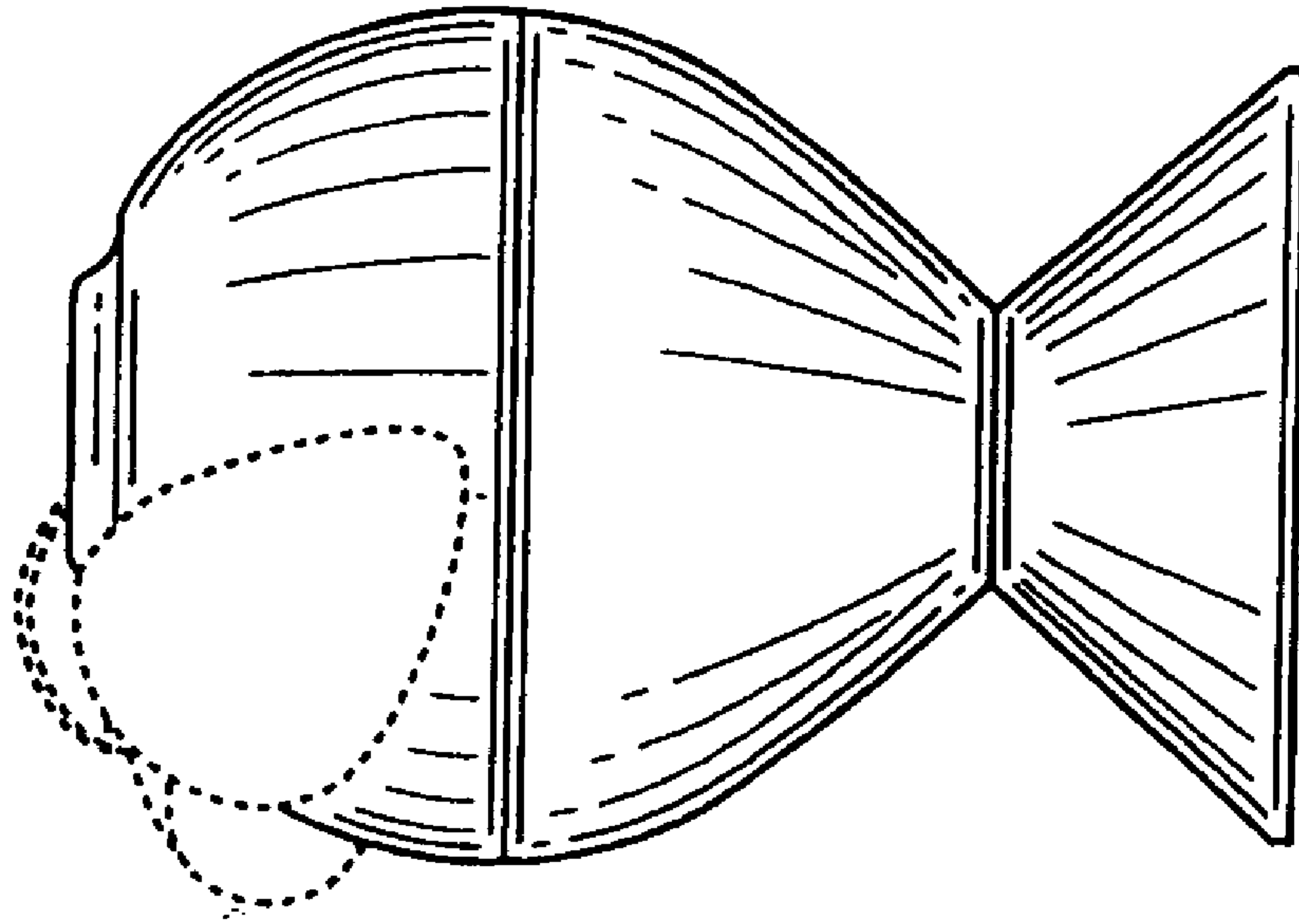


Fig. 3

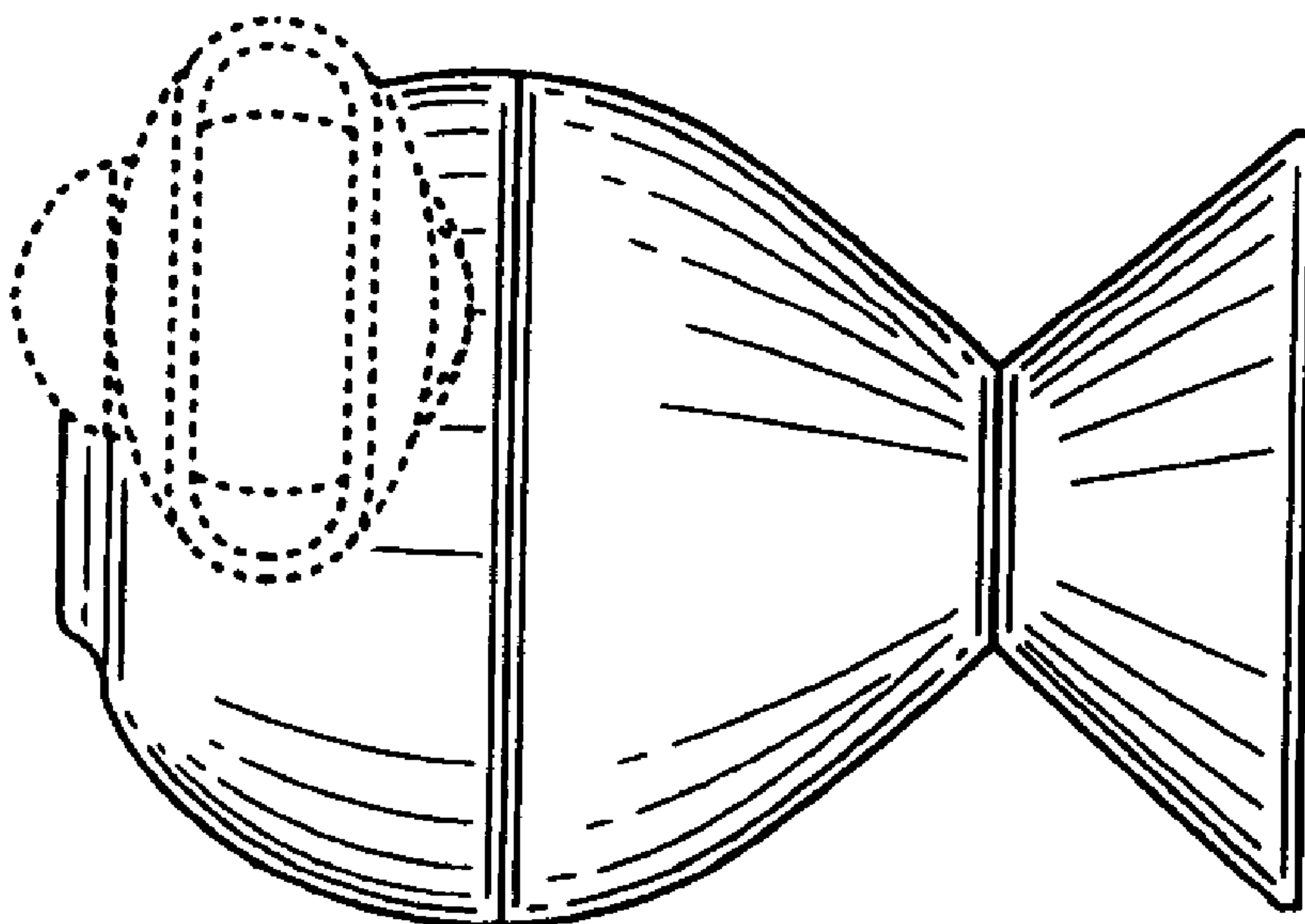


Fig. 2

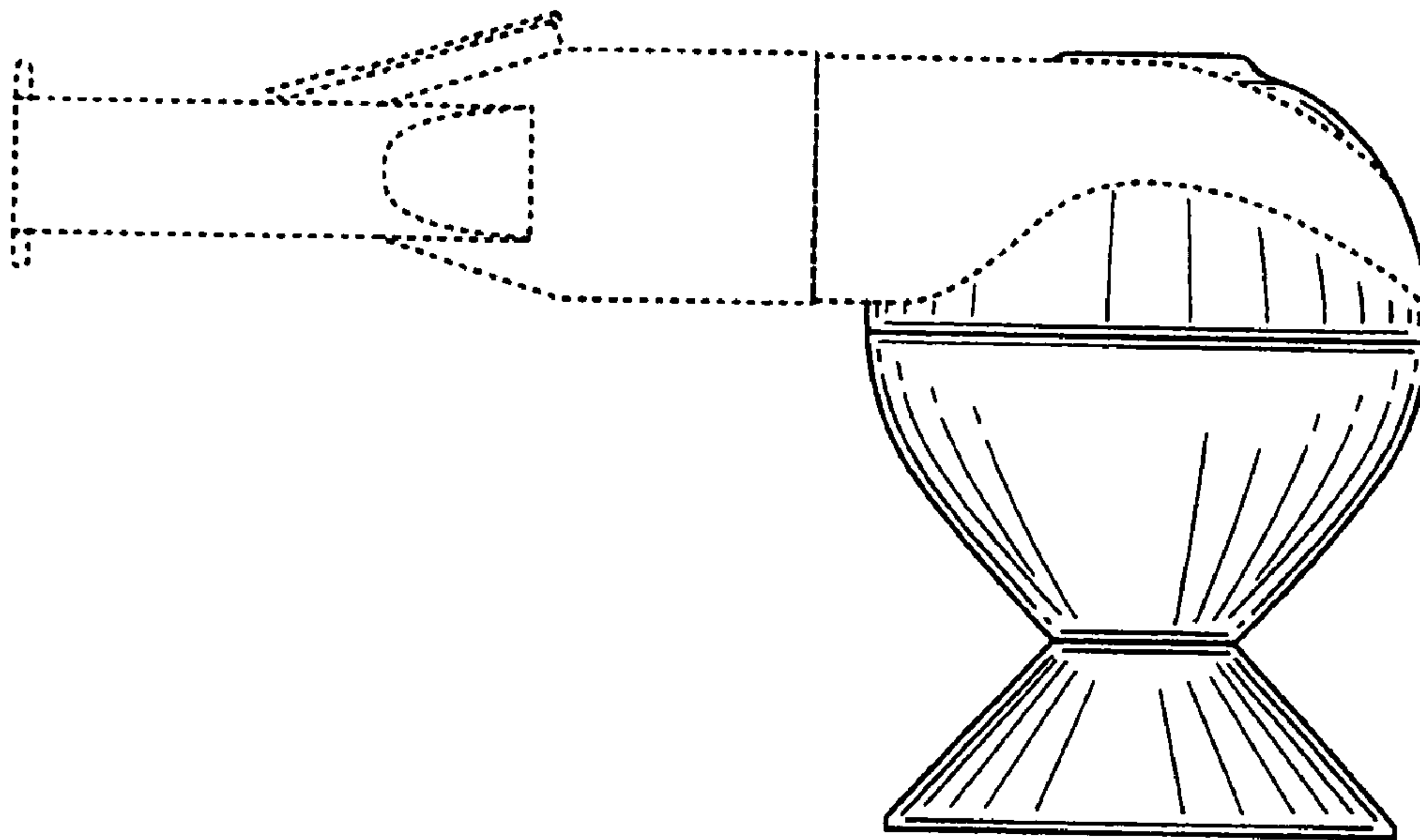


Fig. 4

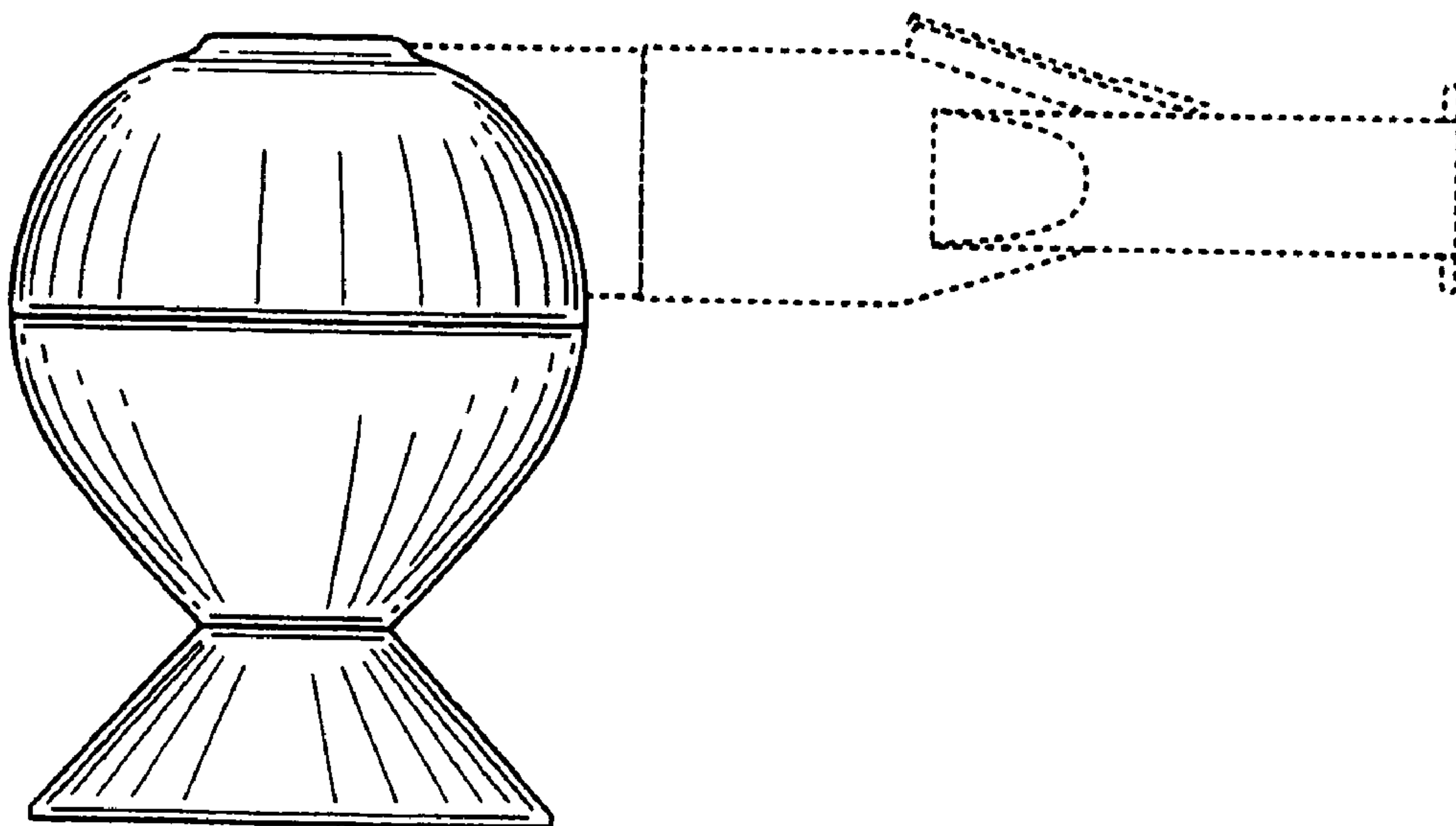


Fig. 5

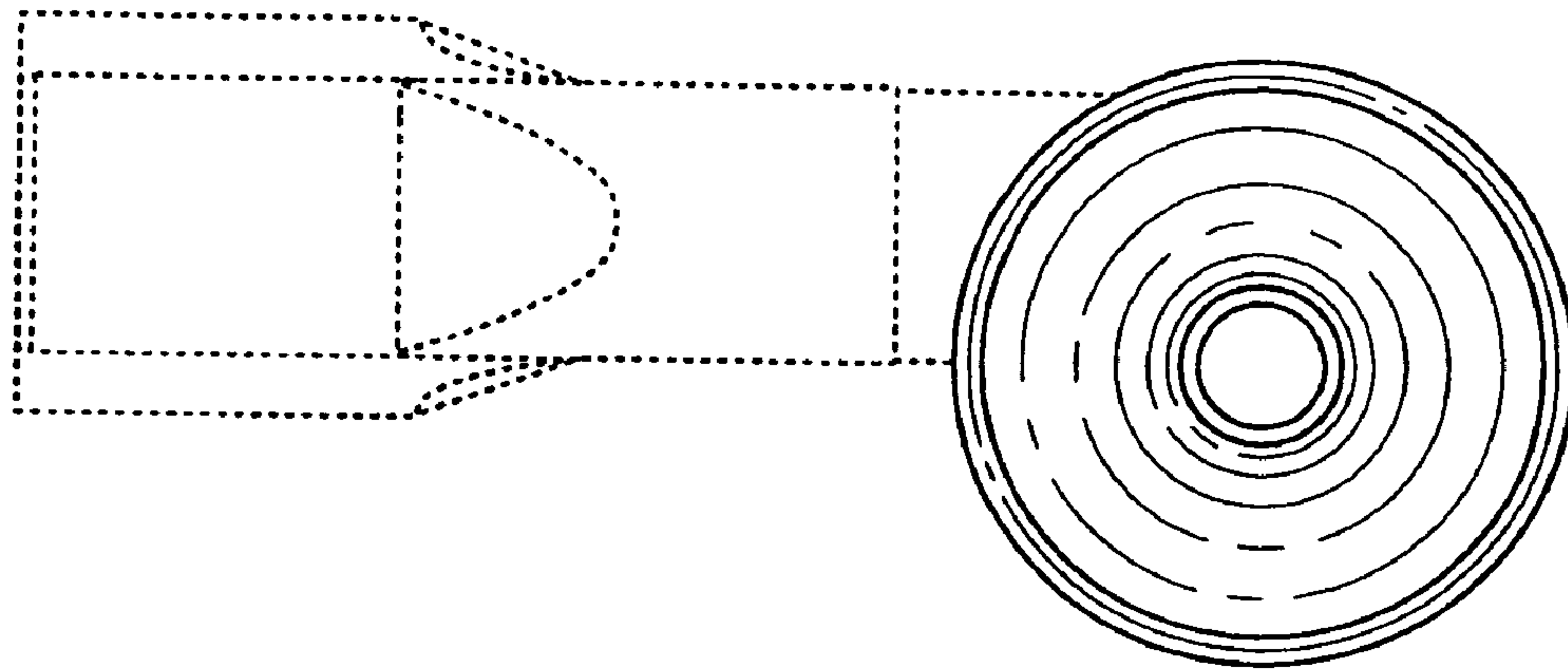


Fig. 7

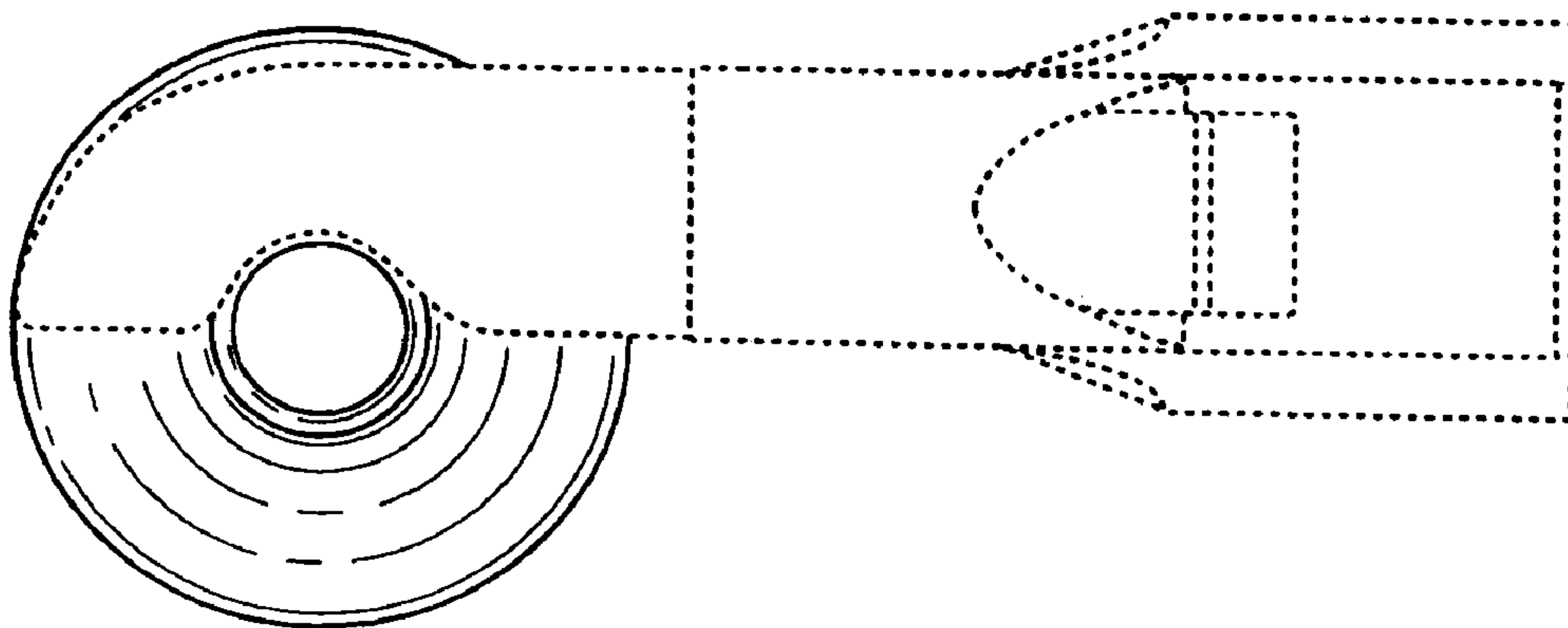


Fig. 6



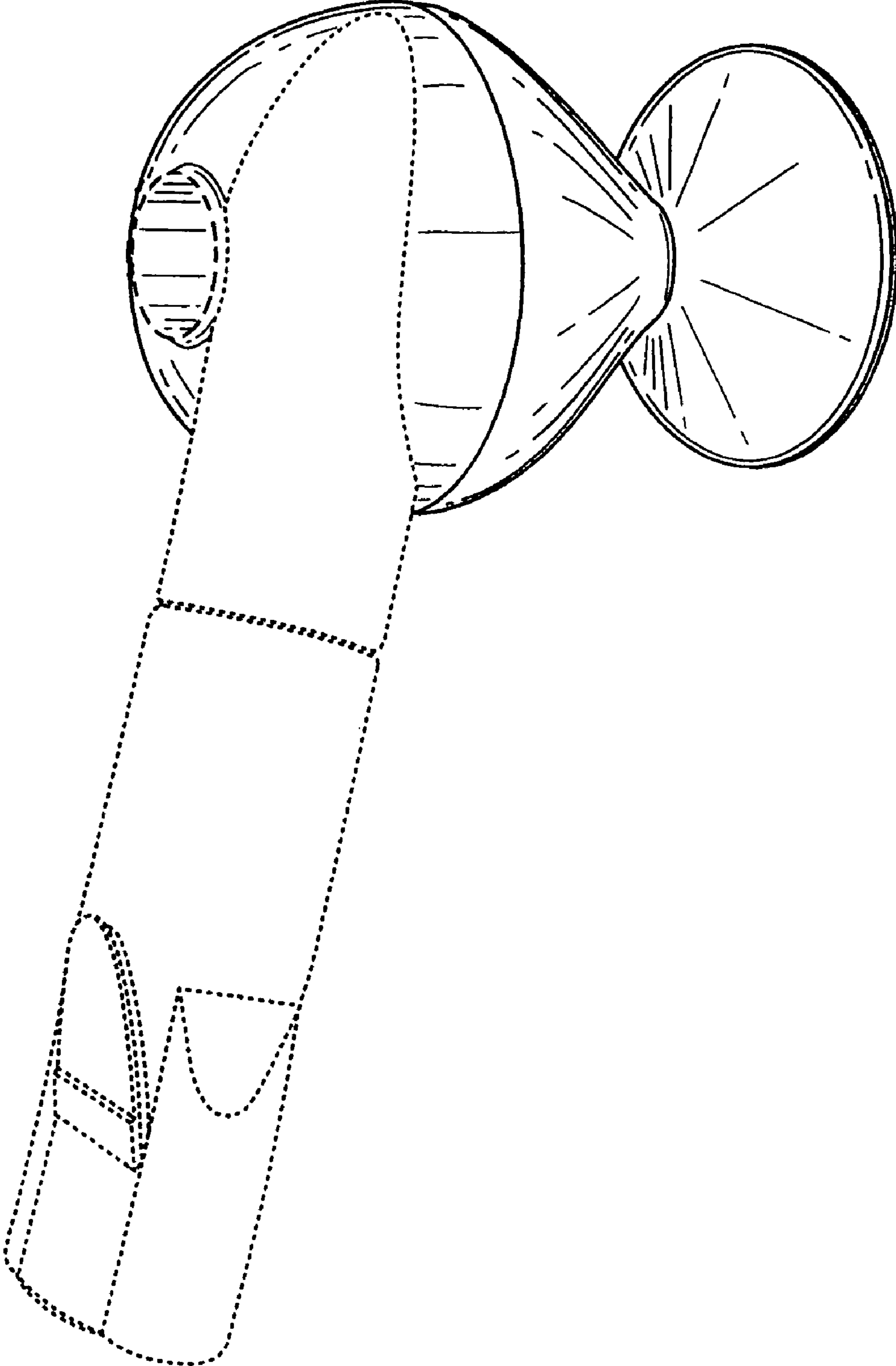


Fig. 8

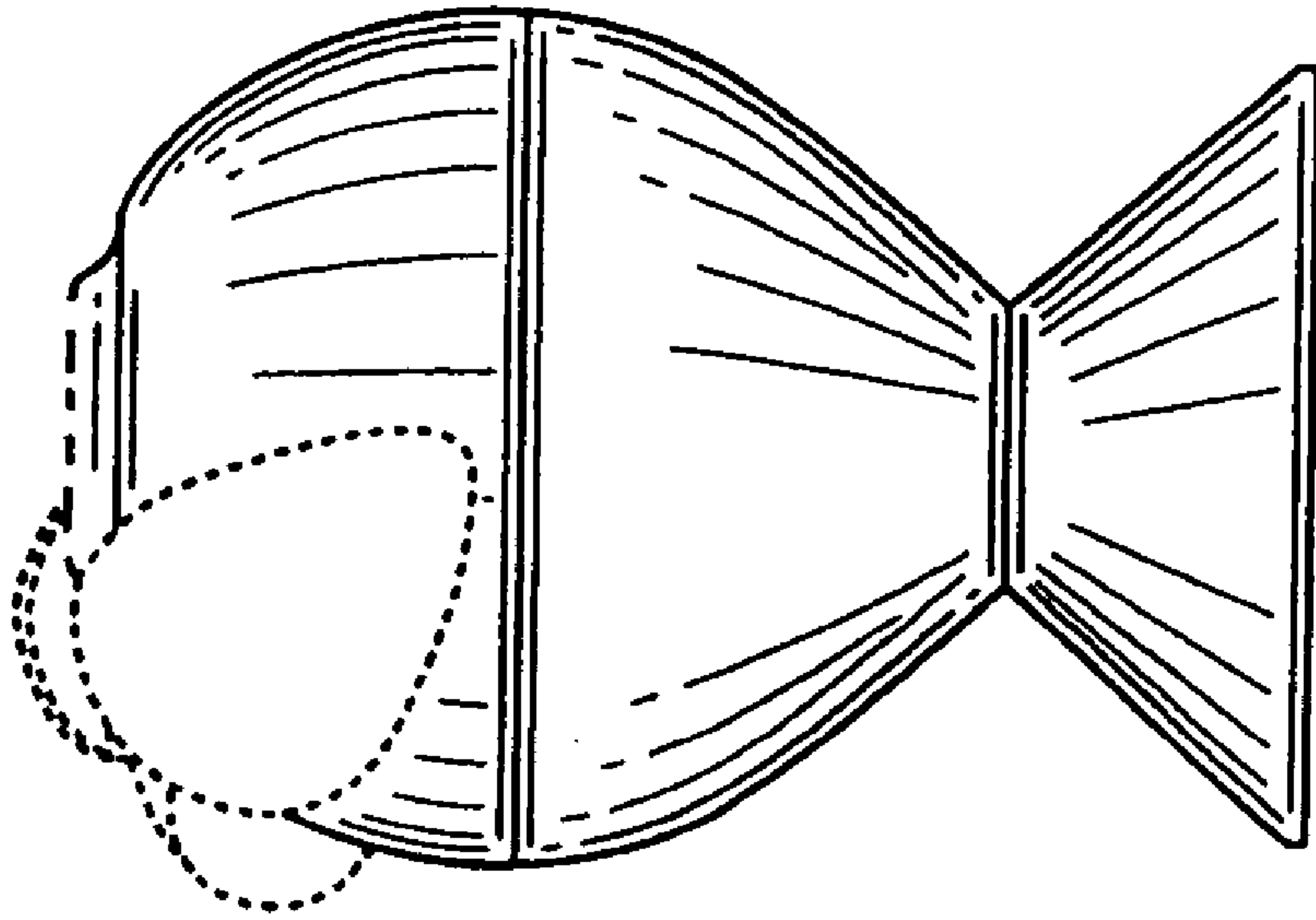


Fig. 10

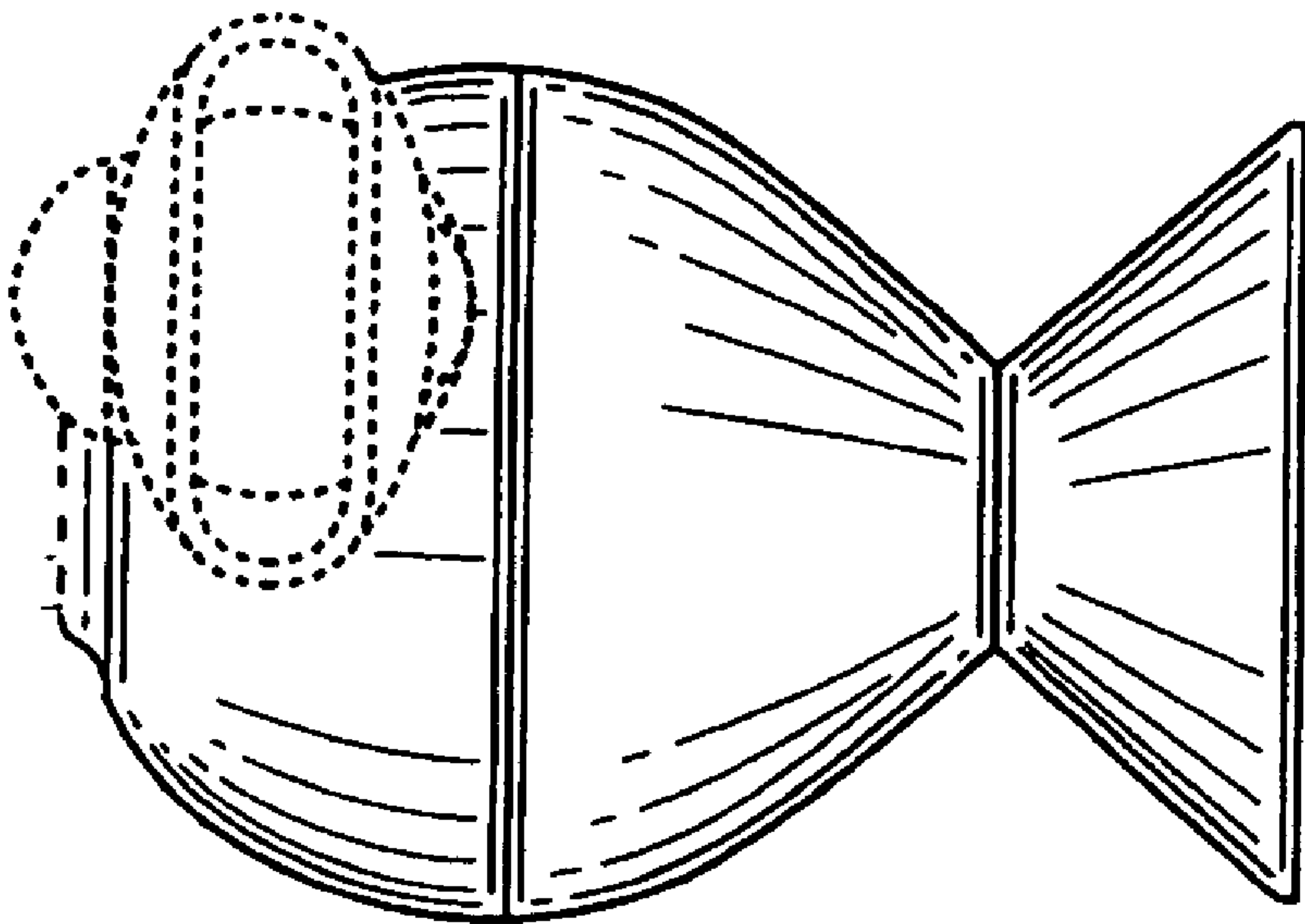


Fig. 9

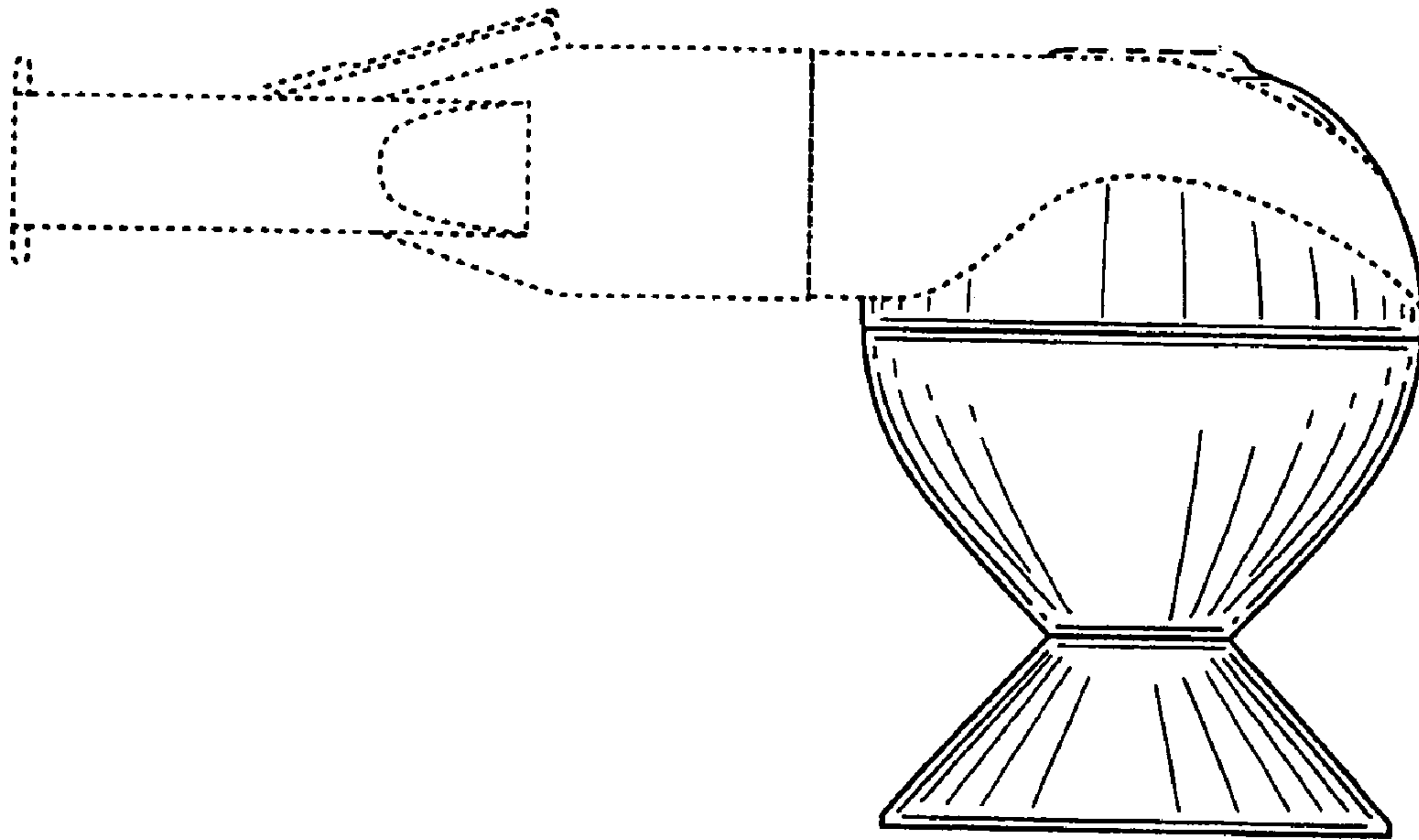


Fig. 11

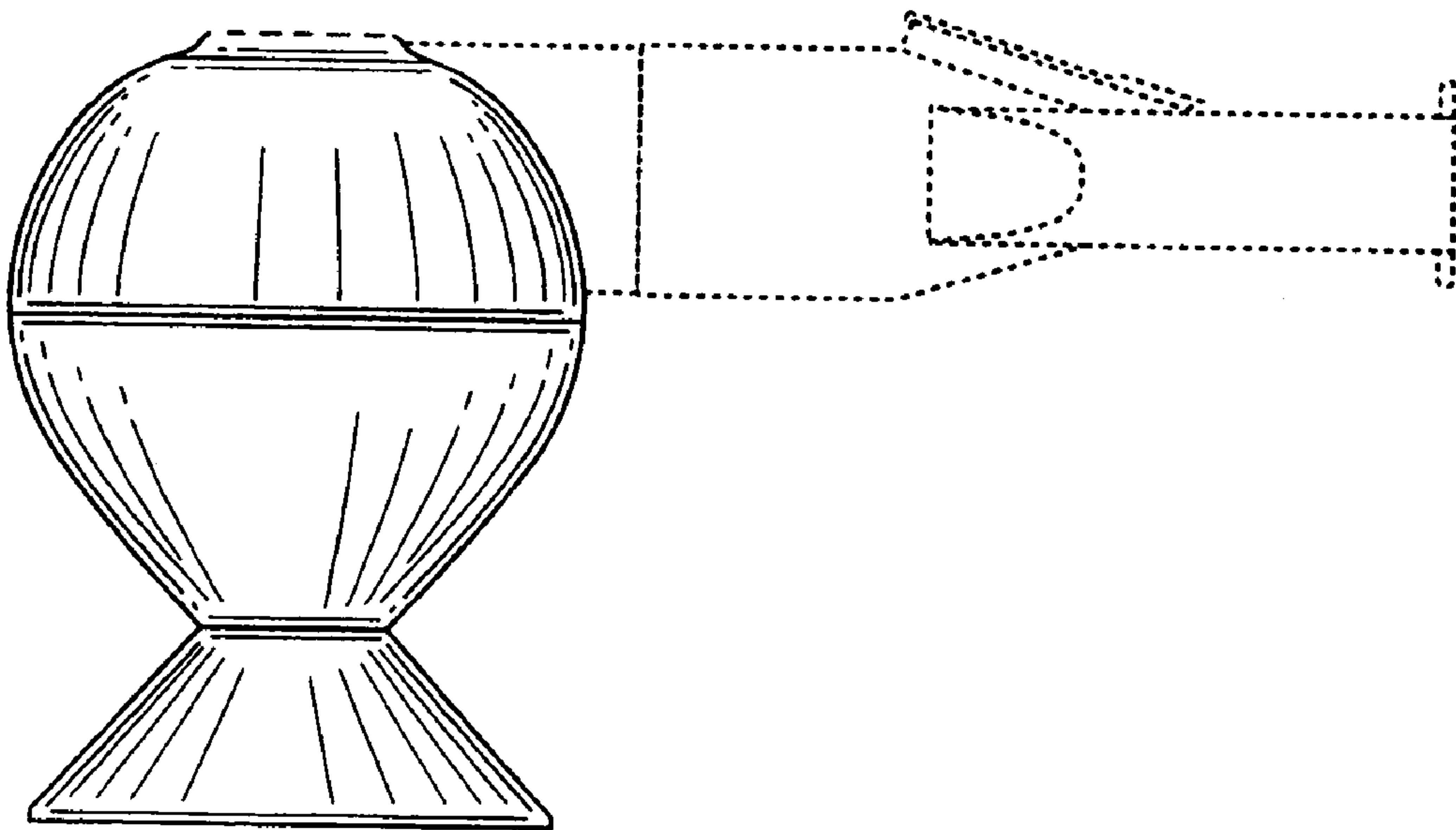


Fig. 12



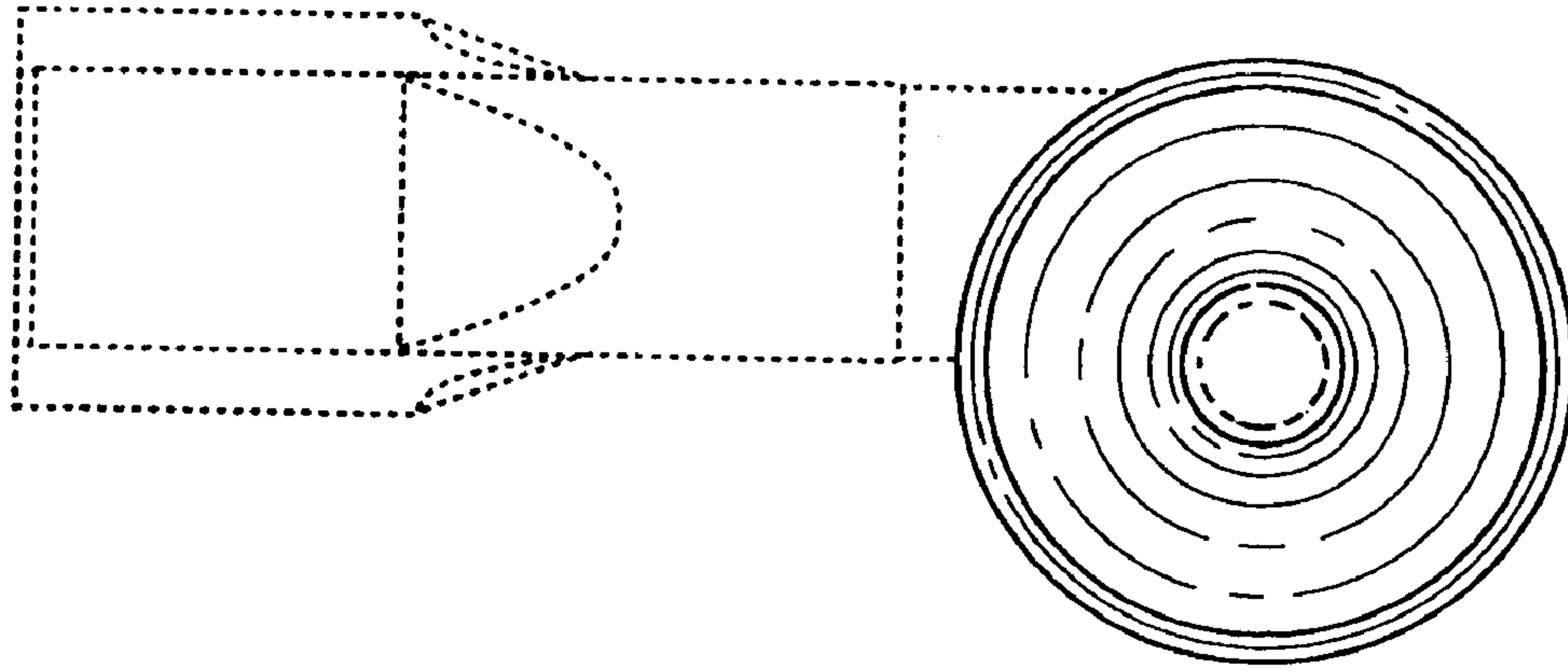


Fig. 14

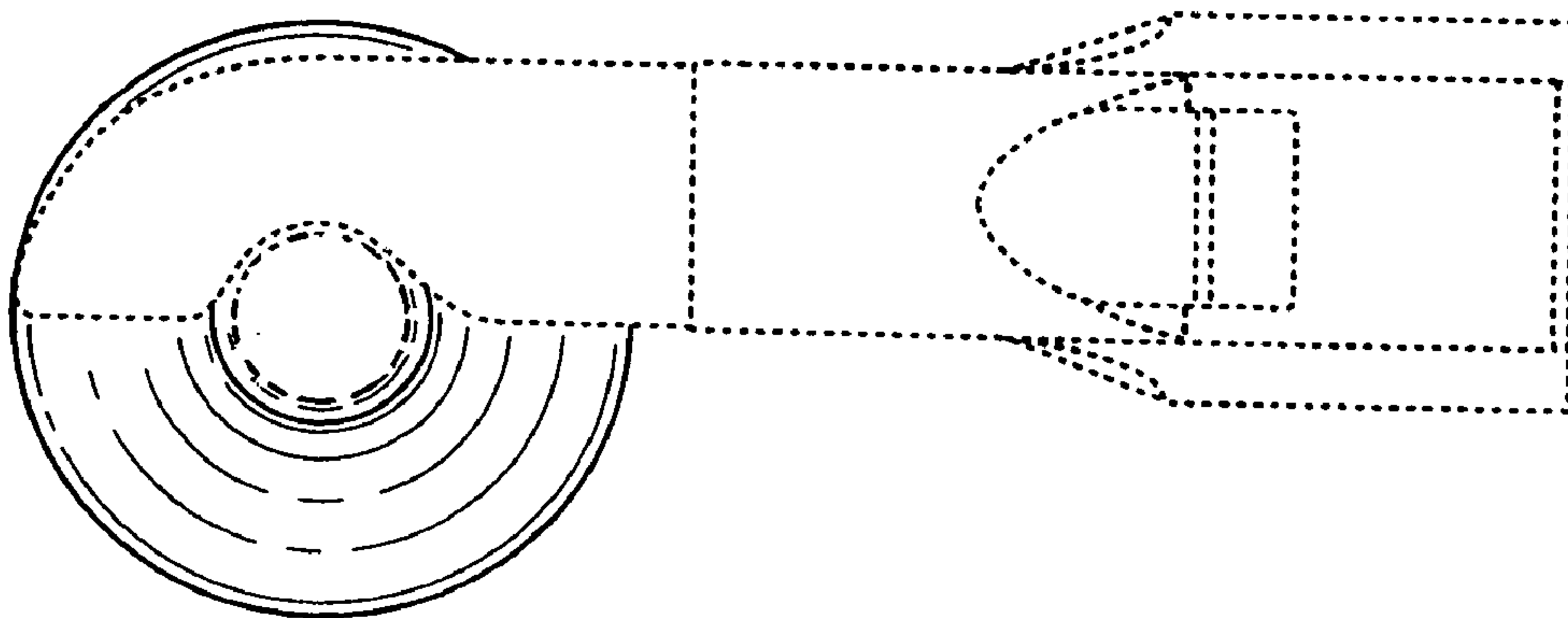


Fig. 13