



US00D558866S

(12) **United States Design Patent**
Yamamoto

(10) **Patent No.:** **US D558,866 S**

(45) **Date of Patent:** **** Jan. 1, 2008**

(54) **AIR CONDITIONER**

(75) Inventor: **Hajime Yamamoto**, Kanagawa-Ken
(JP)

(73) Assignee: **Fujitsu General Limited**,
Kanagawa-Ken (JP)

(**) Term: **14 Years**

(21) Appl. No.: **29/272,563**

(22) Filed: **Feb. 12, 2007**

(30) **Foreign Application Priority Data**

Oct. 11, 2006 (JP) 2006-027389

(51) **LOC (8) Cl.** **23-04**

(52) **U.S. Cl.** **D23/351**

(58) **Field of Classification Search** D23/351-354;
312/236; 62/259.1, 259.4, 262-263, 304;
454/330-331, 349-350

See application file for complete search history.

(56) **References Cited**

U.S. PATENT DOCUMENTS

D368,305 S *	3/1996	Shigenari et al.	D23/351
D417,910 S *	12/1999	Nonaka	D23/351
D420,116 S *	2/2000	Kobayashi	D23/351
D426,626 S *	6/2000	Nonaka	D23/351
D439,317 S *	3/2001	Kobayashi	D23/351
D446,292 S *	8/2001	Asakura et al.	D23/351
D448,073 S *	9/2001	Wakasa	D23/351
D449,095 S *	10/2001	Yanagida et al.	D23/351
D450,823 S *	11/2001	Kobayashi	D23/351

D451,586 S *	12/2001	Oya et al.	D23/351
D454,188 S *	3/2002	Nonaka	D23/351
D465,016 S *	10/2002	Nanjo et al.	D23/351
D487,142 S *	2/2004	Yoo	D23/351
D529,158 S *	9/2006	Ueno et al.	D23/351
D529,595 S *	10/2006	Ueno et al.	D23/351
D536,430 S *	2/2007	Miyake et al.	D23/351
D539,889 S *	4/2007	Chooji	D23/351

FOREIGN PATENT DOCUMENTS

CN	2004-30088234.3	6/2005
CN	2004-30120896.4	8/2005

* cited by examiner

Primary Examiner—Brian N Vinson

(74) *Attorney, Agent, or Firm*—Sughrue Mion, PLLC

(57) **CLAIM**

The ornamental design for an air conditioner, as shown and described.

DESCRIPTION

FIG. 1 is a perspective view of the bottom, front and right side of an air conditioner showing my new design;

FIG. 2 is a front elevational view thereof;

FIG. 3 is a right side elevational view thereof;

FIG. 4 is a left side elevational view thereof;

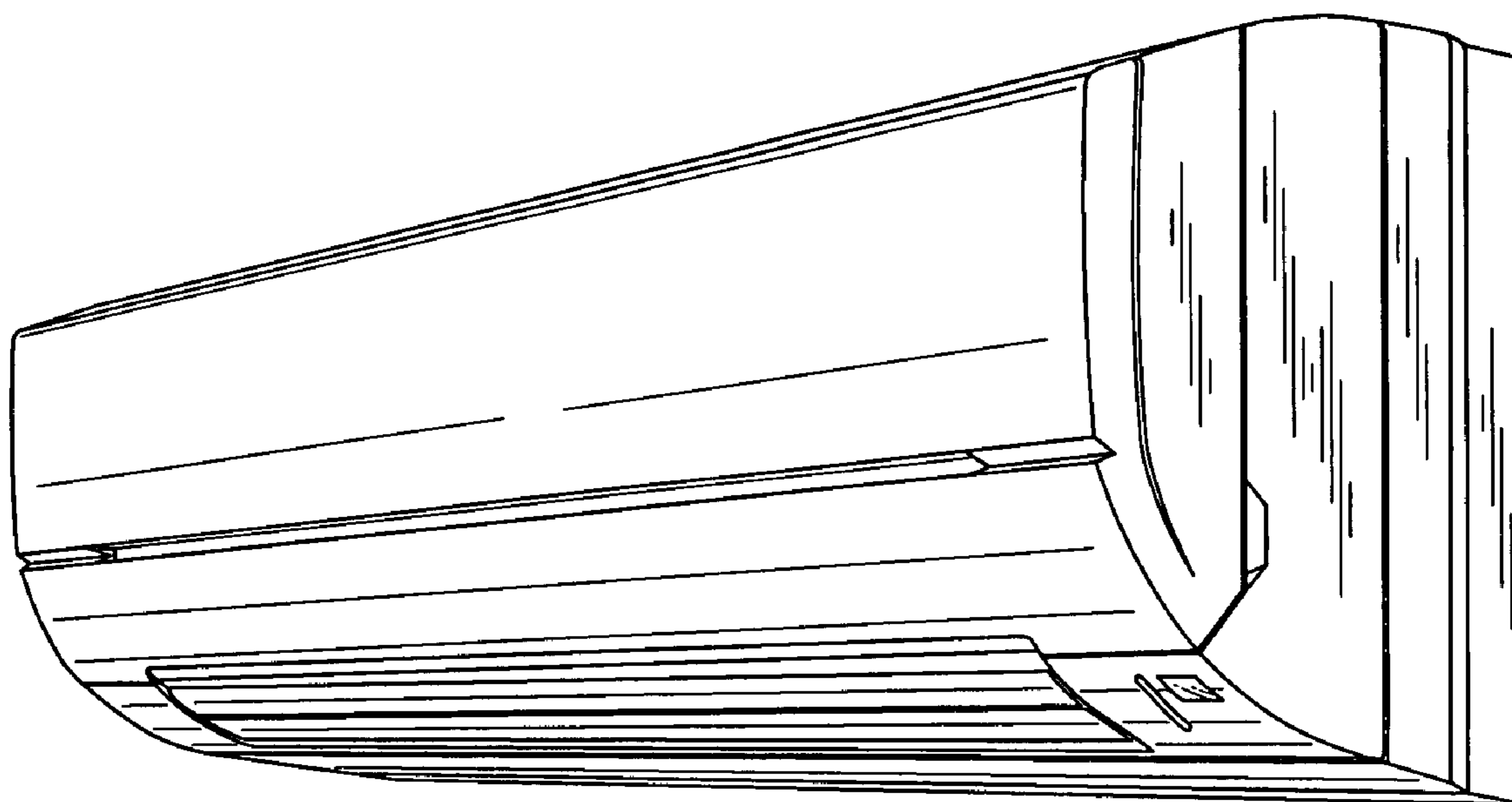
FIG. 5 is a top plan view thereof;

FIG. 6 is a bottom plan view thereof;

FIG. 7 is a rear elevational view thereof; and,

FIG. 8 is a perspective view thereof in a operational mode.

1 Claim, 3 Drawing Sheets



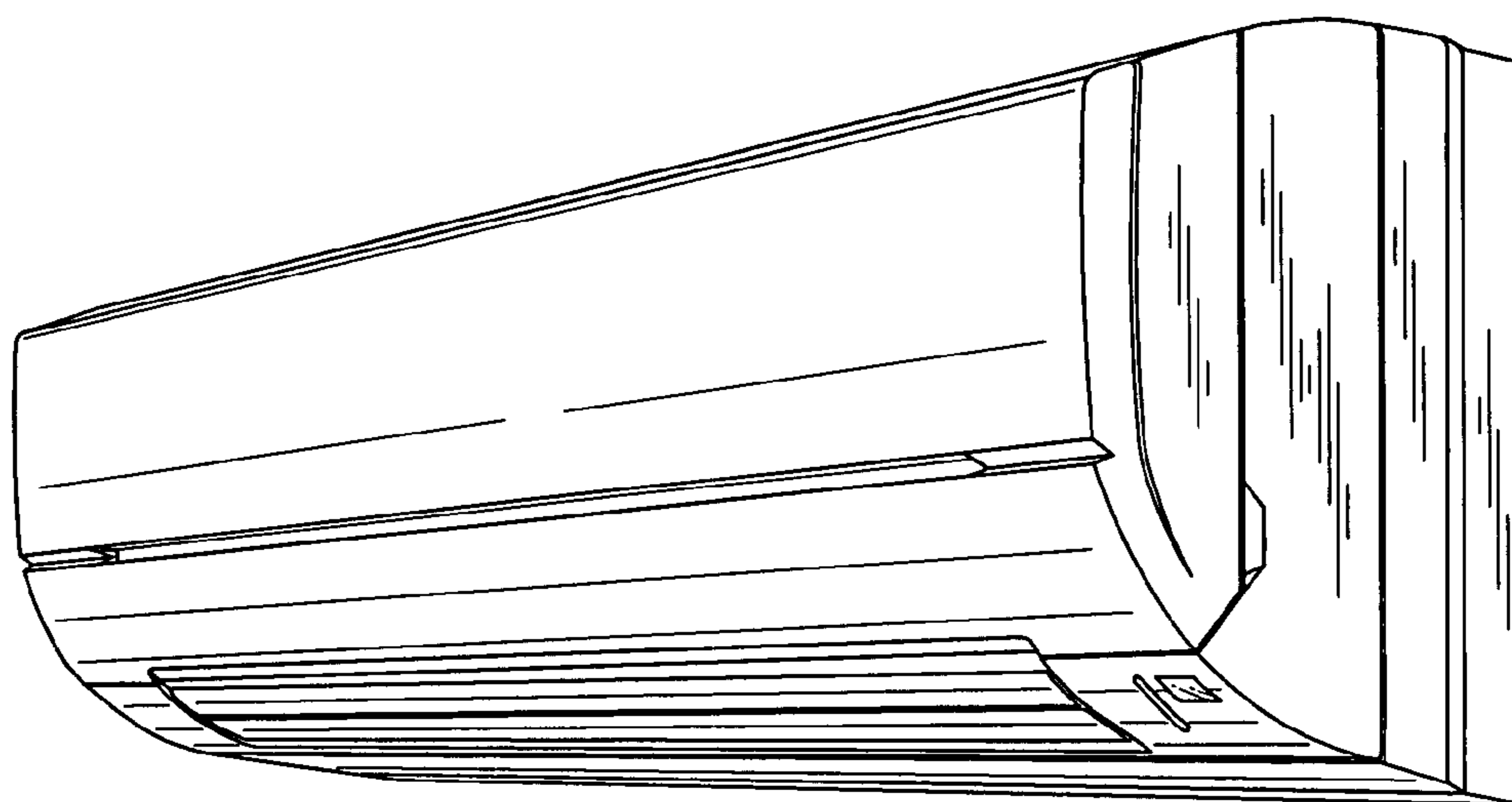


FIG. 1

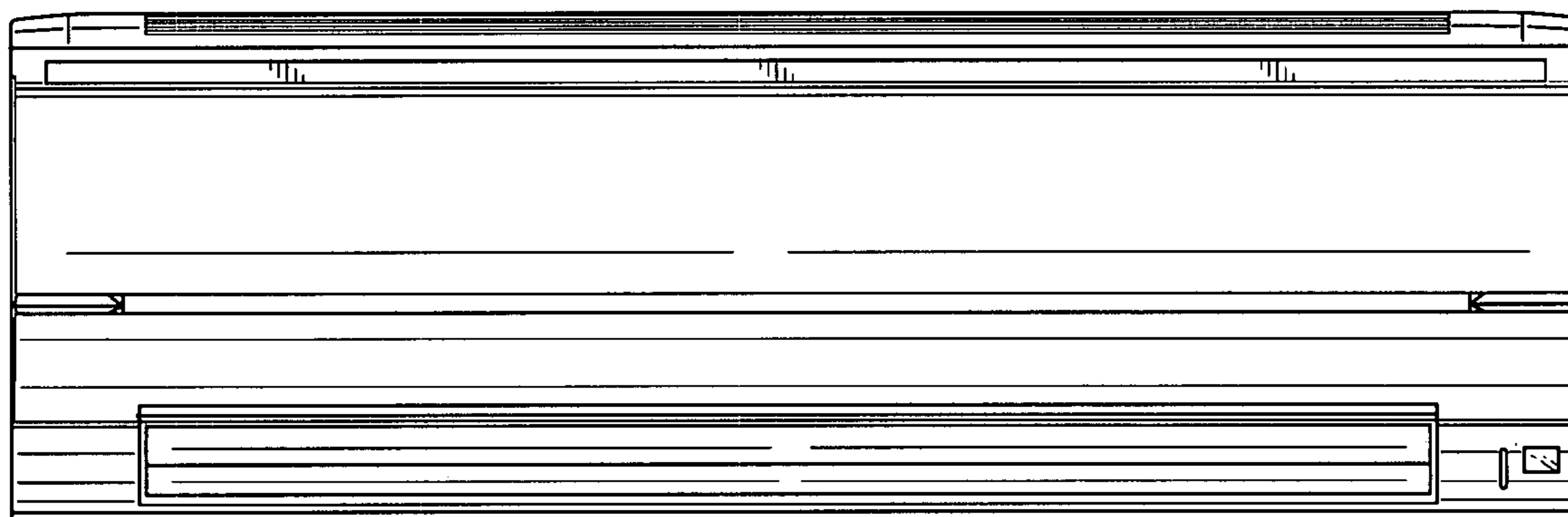


FIG. 2

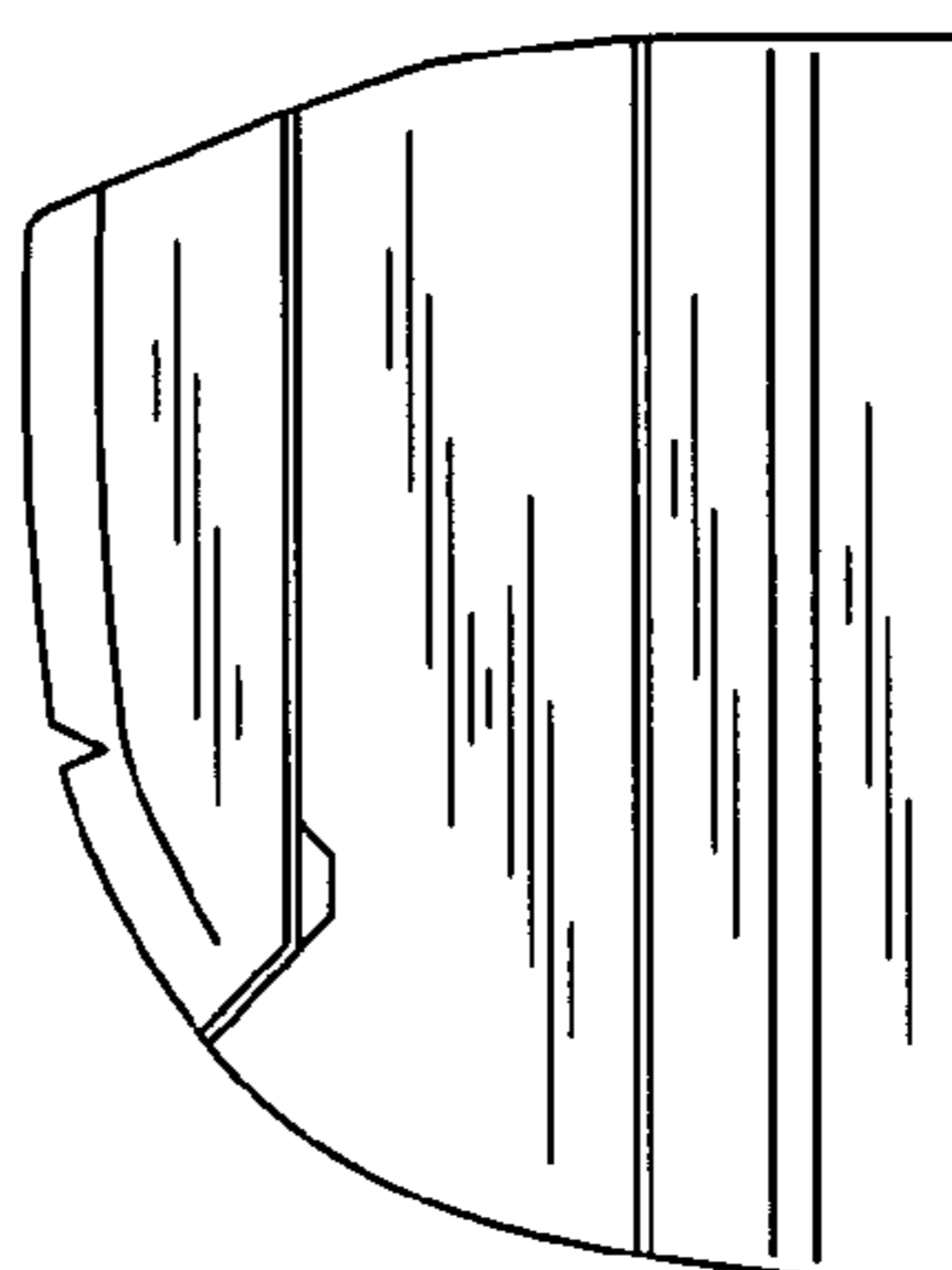


FIG. 3



FIG. 4

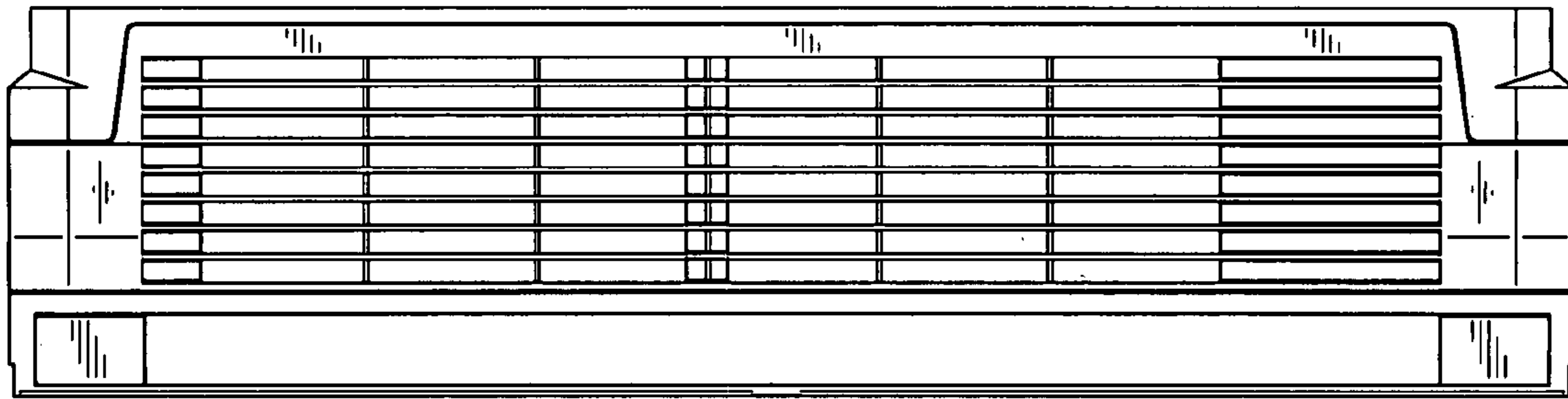


FIG. 5

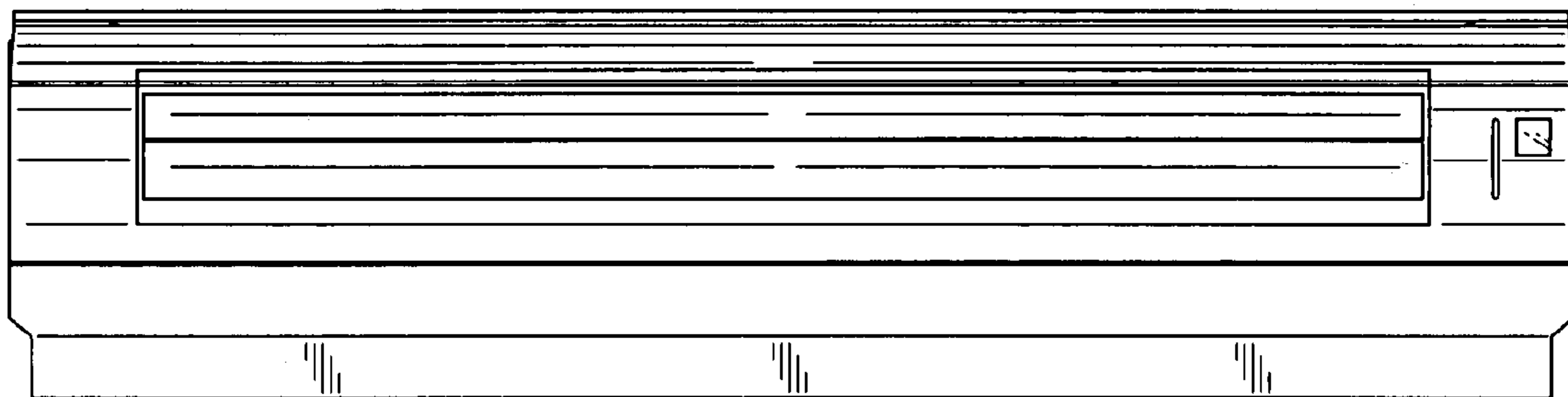


FIG. 6

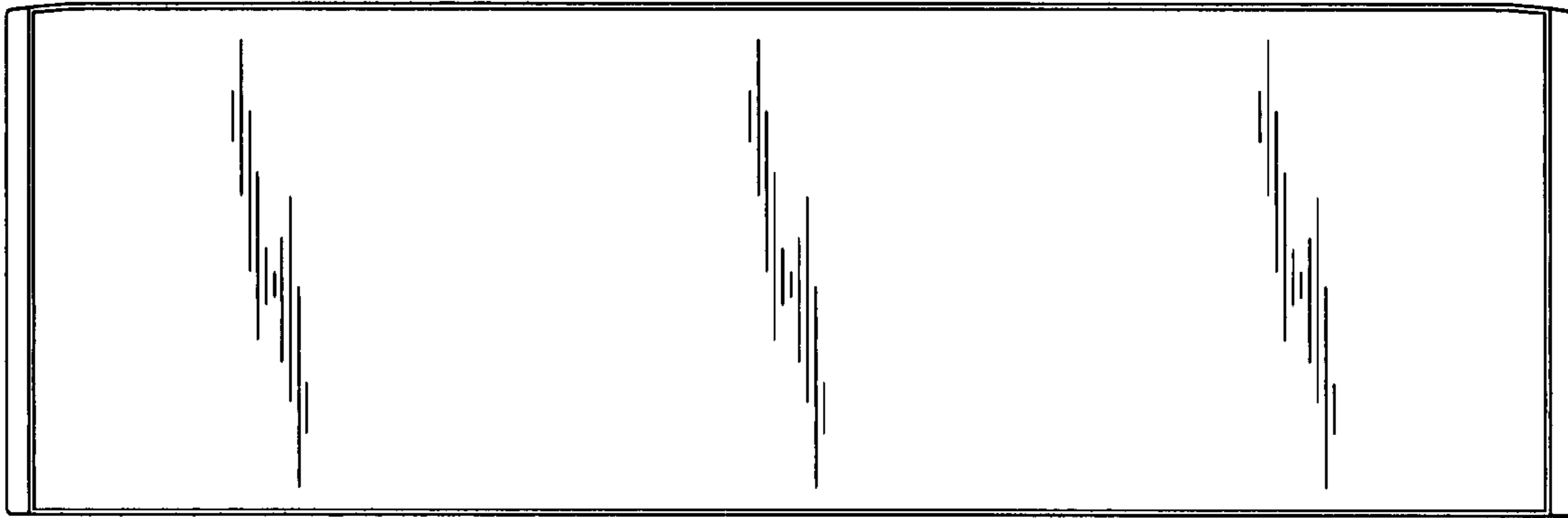


FIG. 7

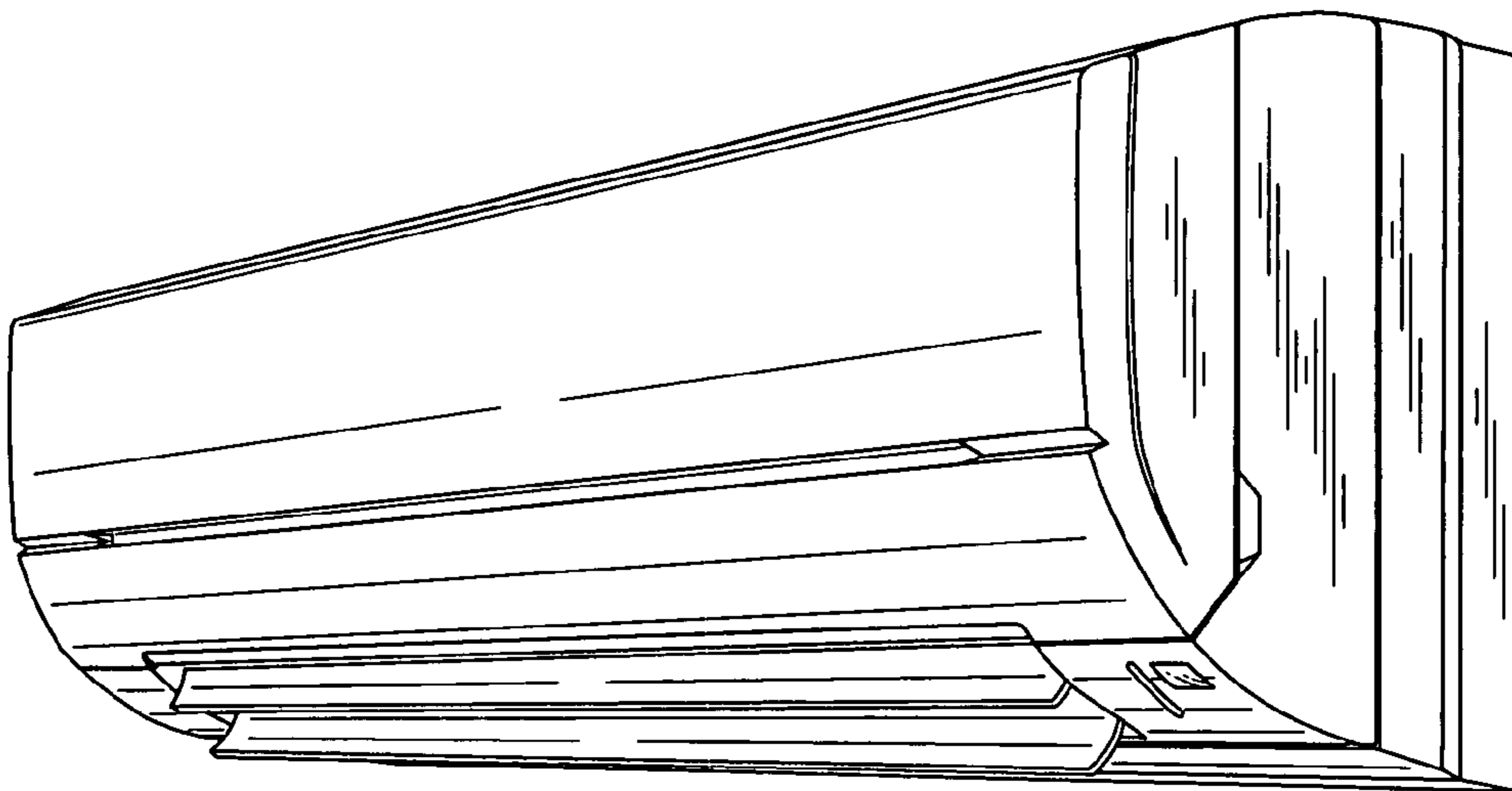


FIG. 8