



US00D558865S

(12) **United States Design Patent**  
**Yoo et al.**

(10) **Patent No.:** **US D558,865 S**  
(45) **Date of Patent:** **\*\* Jan. 1, 2008**

(54) **WALL-INSTALLED TYPE AIR  
CONDITIONER**

(75) Inventors: **Joong Gil Yoo**, Gyeonggi-do (KR); **Hee  
Jae Kwon**, Seoul (KR); **Kyu Nam Lee**,  
Gyeonggi-do (KR)

(73) Assignee: **LG Electronics Inc.**, Seoul (KR)

(\*\*) Term: **14 Years**

(21) Appl. No.: **29/271,691**

(22) Filed: **Jan. 25, 2007**

(30) **Foreign Application Priority Data**

Jul. 27, 2006 (KR) ..... 30-2006-0031667

(51) **LOC (8) Cl.** ..... **23-04**

(52) **U.S. Cl.** ..... **D23/351**

(58) **Field of Classification Search** ..... D23/351-354,  
D23/333; 62/259.1, 259.4, 262-263, 304,  
62/324.1, DIG. 16; 312/236; 454/201-204  
See application file for complete search history.

(56) **References Cited**

**U.S. PATENT DOCUMENTS**

D243,186 S \* 1/1977 Bruner et al. .... D23/353  
D293,713 S \* 1/1988 Morita et al. .... D23/353  
4,733,543 A \* 3/1988 Blair ..... 62/263

D321,248 S \* 10/1991 Wilgus et al. .... D23/351  
D454,188 S \* 3/2002 Nonaka ..... D23/351  
D455,825 S \* 4/2002 Moretti et al. .... D23/354  
D456,068 S \* 4/2002 Oya et al. .... D23/353  
D465,016 S \* 10/2002 Nanjo et al. .... D23/351  
D487,142 S \* 2/2004 Yoo ..... D23/351

\* cited by examiner

*Primary Examiner*—Brian N Vinson

(74) *Attorney, Agent, or Firm*—Birch, Stewart, Kolasch &  
Birch, LLP

(57) **CLAIM**

The ornamental design for a wall-installed type air condi-  
tioner, as shown and described.

**DESCRIPTION**

FIG. 1 is a perspective view of a wall-installed type air  
conditioner showing our new design;  
FIG. 2 is a front view thereof;  
FIG. 3 is a rear view thereof;  
FIG. 4 is a left side view thereof;  
FIG. 5 is a right side view thereof;  
FIG. 6 is a top plan view thereof; and,  
FIG. 7 is a bottom plan view thereof.

**1 Claim, 4 Drawing Sheets**

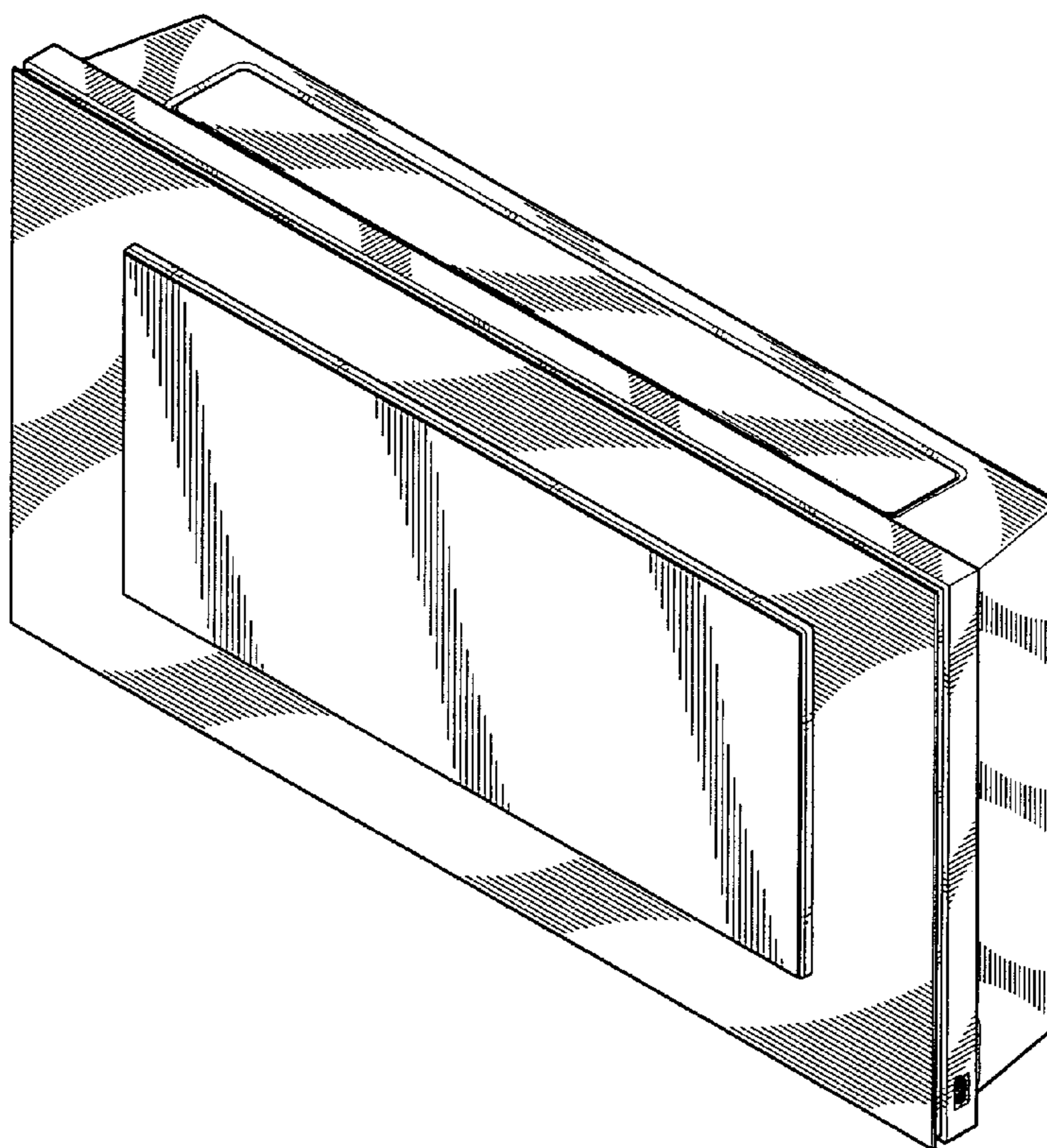


FIG. 1

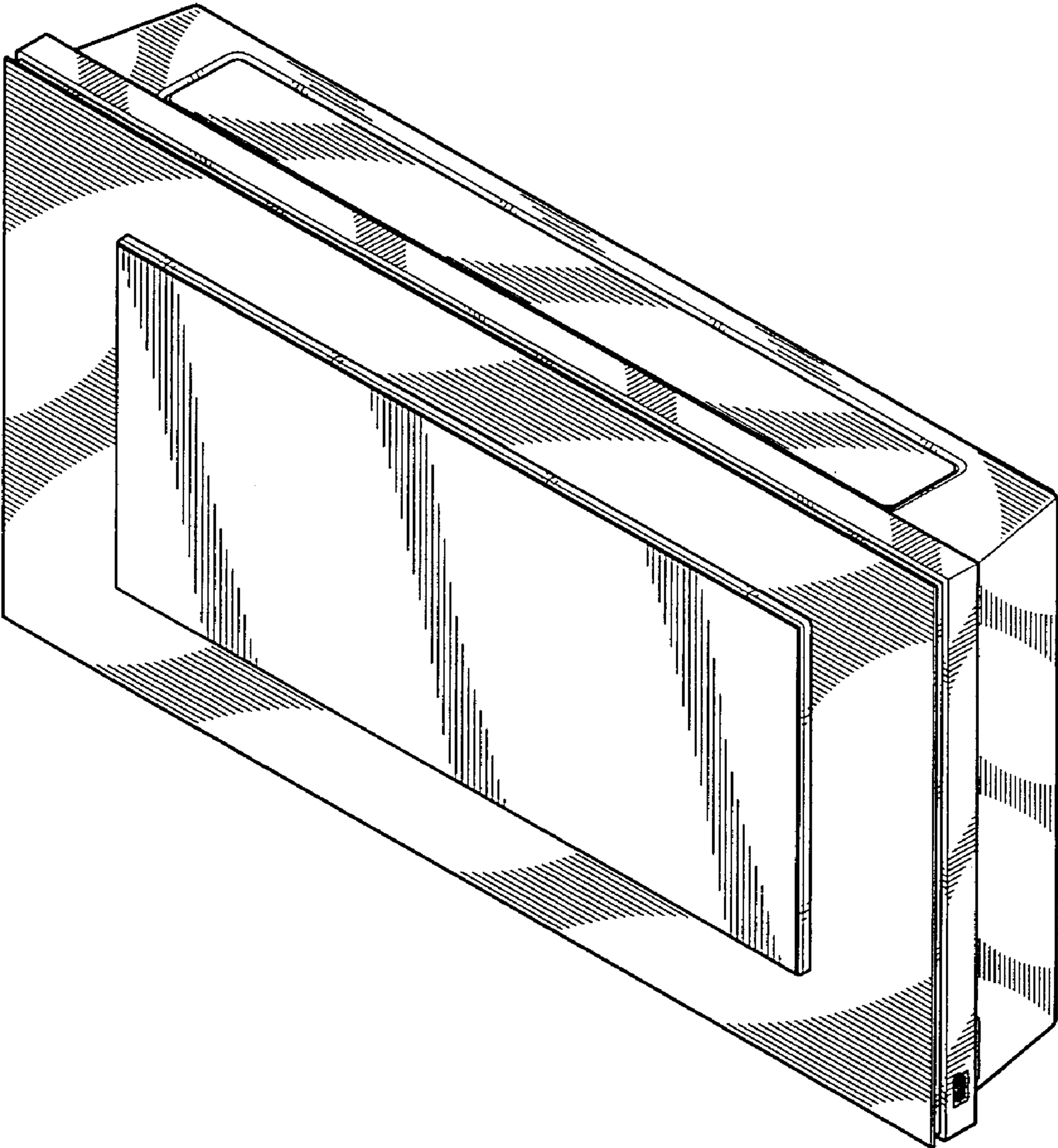


FIG. 2

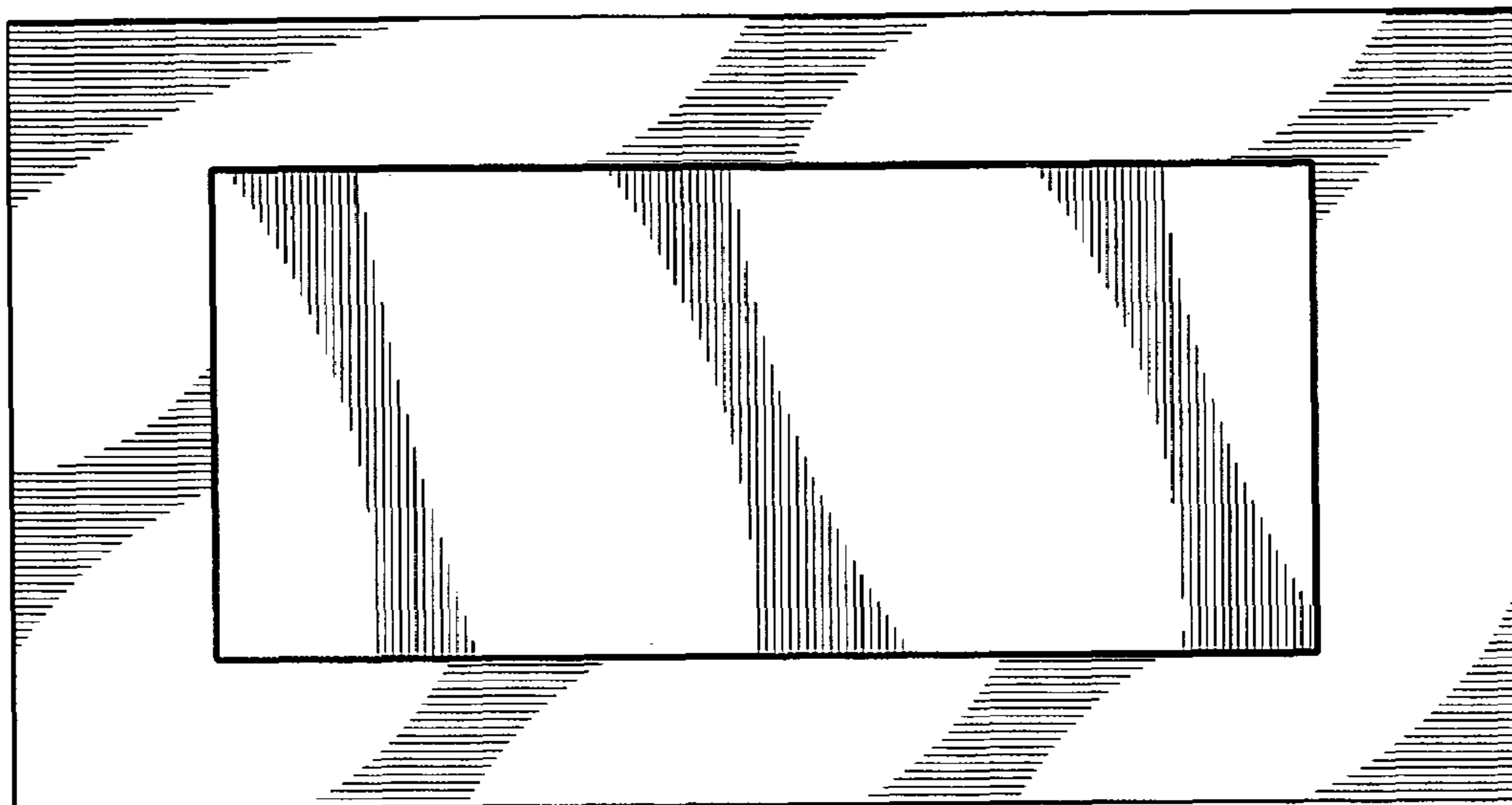


FIG. 3

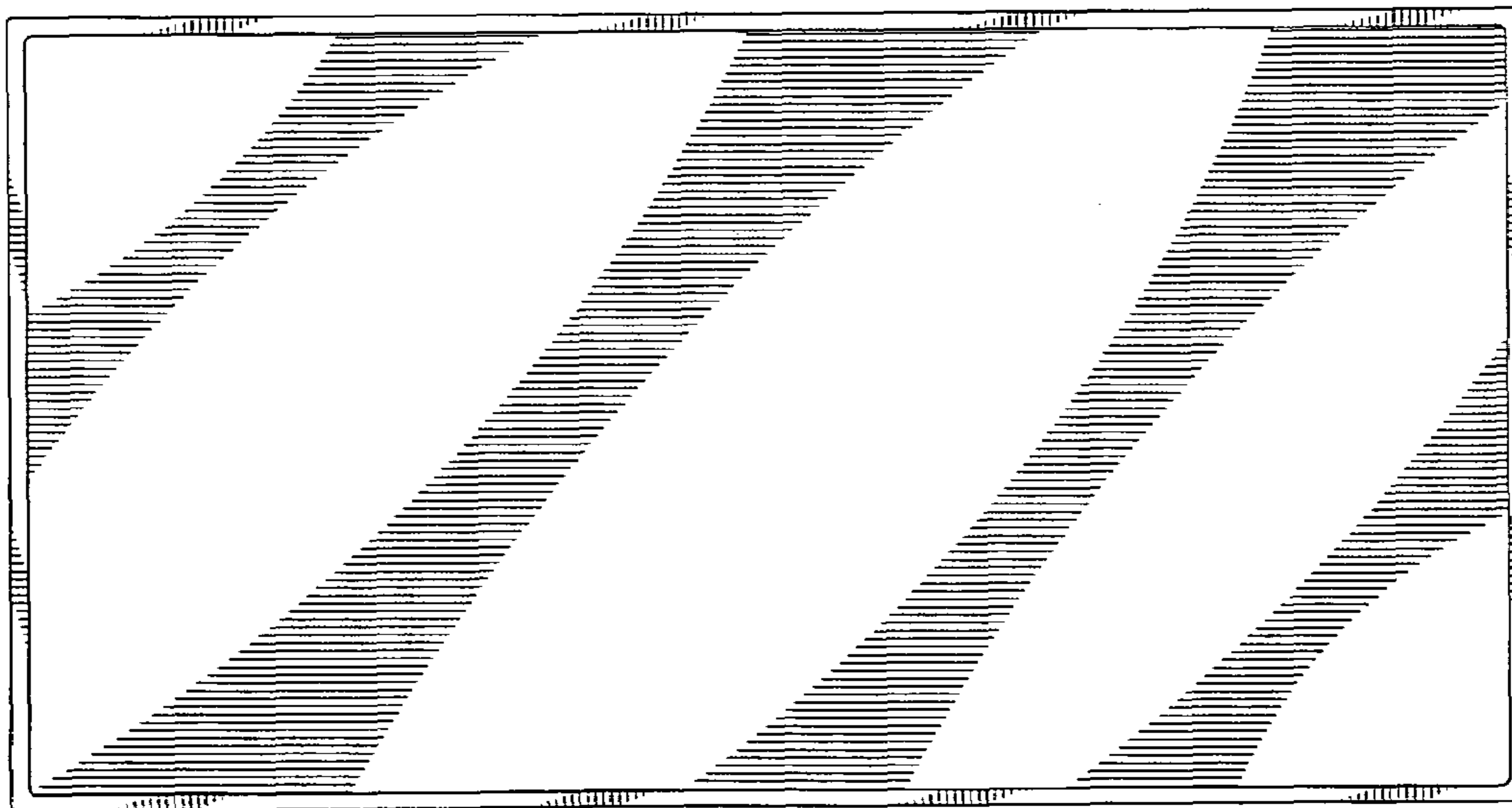


FIG. 4

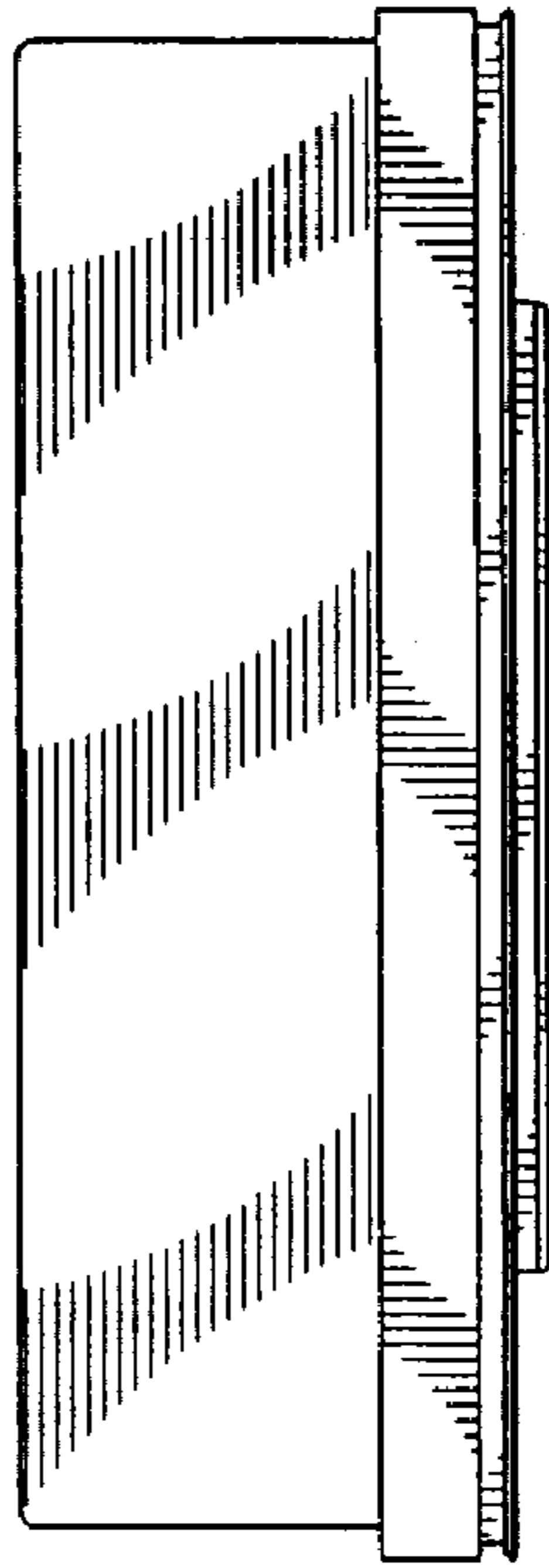


FIG. 5

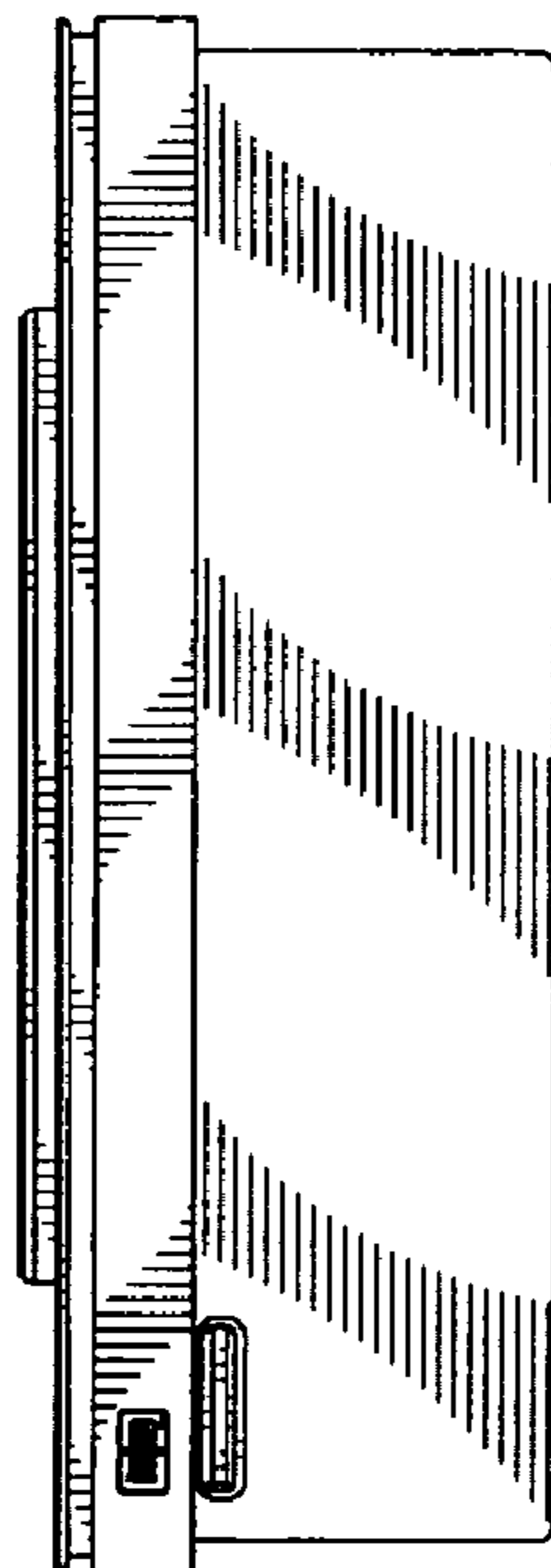


FIG. 6

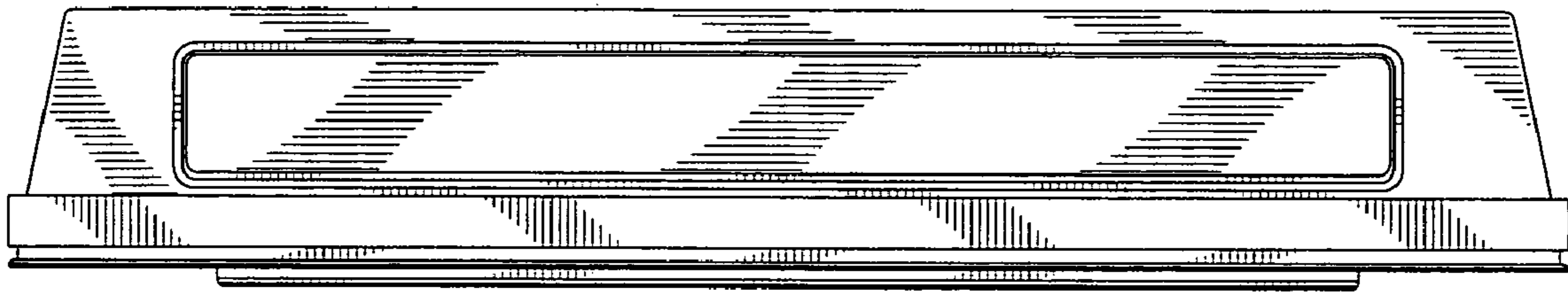


FIG. 7

