



US00D558864S

(12) **United States Design Patent**
Yoo et al.

(10) **Patent No.:** **US D558,864 S**
(45) **Date of Patent:** **** Jan. 1, 2008**

(54) **WALL-INSTALLED TYPE AIR
CONDITIONER**

(75) Inventors: **Joong Gil Yoo**, Gyeonggi-do (KR); **Hee
Jae Kwon**, Seoul (KR); **Kyu Nam Lee**,
Gyeonggi-do (KR)

(73) Assignee: **LG Electronics Inc.**, Seoul (KR)

(**) Term: **14 Years**

(21) Appl. No.: **29/271,375**

(22) Filed: **Jan. 18, 2007**

(30) **Foreign Application Priority Data**

Jul. 20, 2006 (KR) 30-2006-0030607

(51) **LOC (8) Cl.** **23-04**

(52) **U.S. Cl.** **D23/351**

(58) **Field of Classification Search** D23/351-354,
D23/333; 62/259.1, 259.4, 262-263, 304,
62/324.1, DIG. 16; 312/236; 454/201-204
See application file for complete search history.

(56) **References Cited**

U.S. PATENT DOCUMENTS

D243,186 S * 1/1977 Bruner et al. D23/353
D293,713 S * 1/1988 Morita et al. D23/353
4,733,543 A * 3/1988 Blair 62/263
D321,248 S * 10/1991 Wilgus et al. D23/351

D454,188 S * 3/2002 Nonaka D23/351
D455,825 S * 4/2002 Moretti et al. D23/354
D456,068 S * 4/2002 Oya et al. D23/353
D465,016 S * 10/2002 Nanjo et al. D23/351
D487,142 S * 2/2004 Yoo D23/351
D502,255 S * 2/2005 Kim D23/351
D544,589 S * 6/2007 Yoo et al. D23/351

* cited by examiner

Primary Examiner—Brian N Vinson

(74) *Attorney, Agent, or Firm*—Birch, Stewart, Kolasch &
Birch, LLP

(57) **CLAIM**

The ornamental design for a wall-installed type air condi-
tioner, as shown and described.

DESCRIPTION

FIG. 1 is a perspective view of a wall-installed type air
conditioner showing our new design;

FIG. 2 is a front view thereof;

FIG. 3 is a rear view thereof;

FIG. 4 is a left side view thereof where the right side view
is a mirror image;

FIG. 5 is a top plan view thereof; and,

FIG. 6 is a bottom plan view thereof.

1 Claim, 4 Drawing Sheets

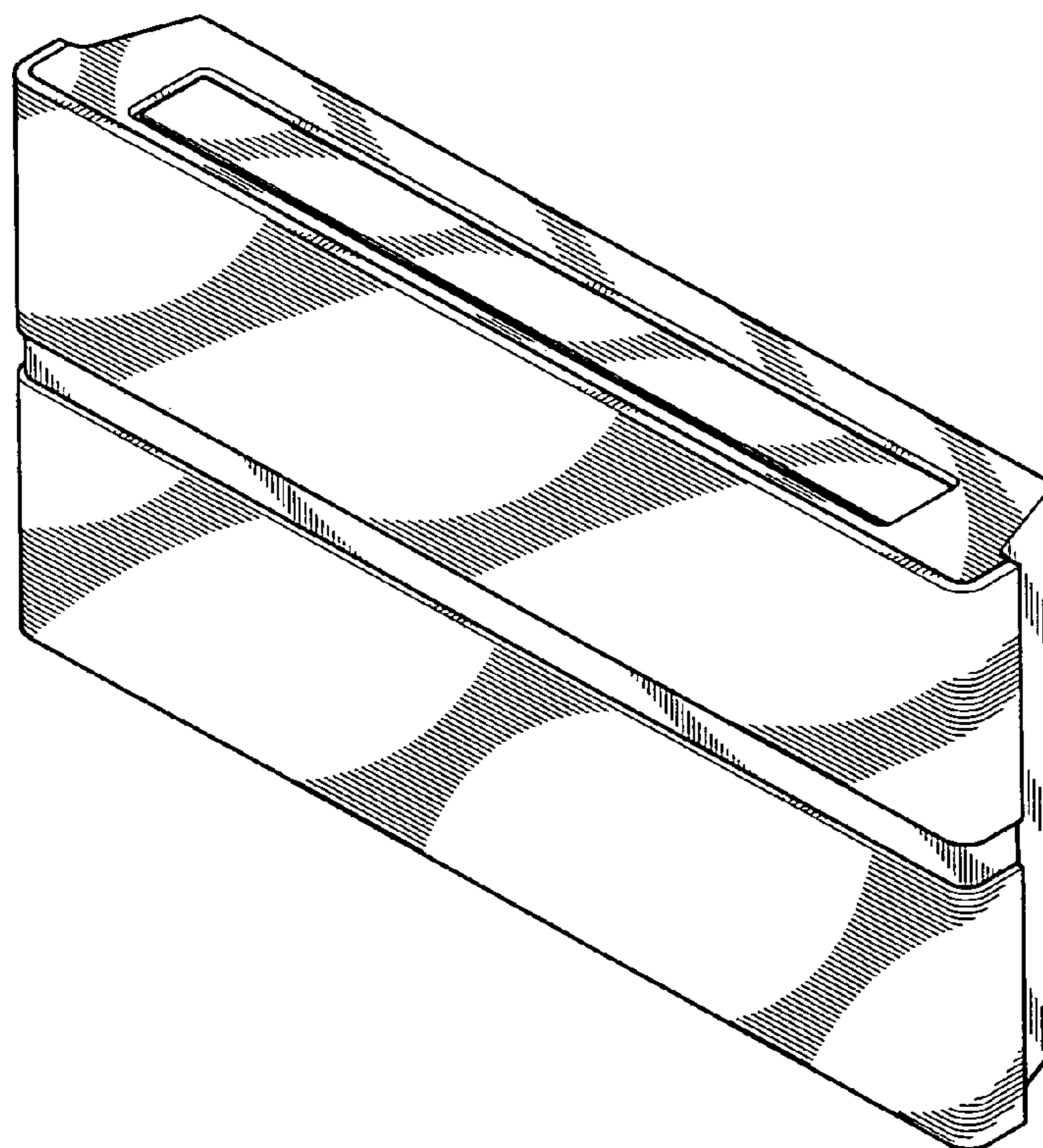


FIG. 1

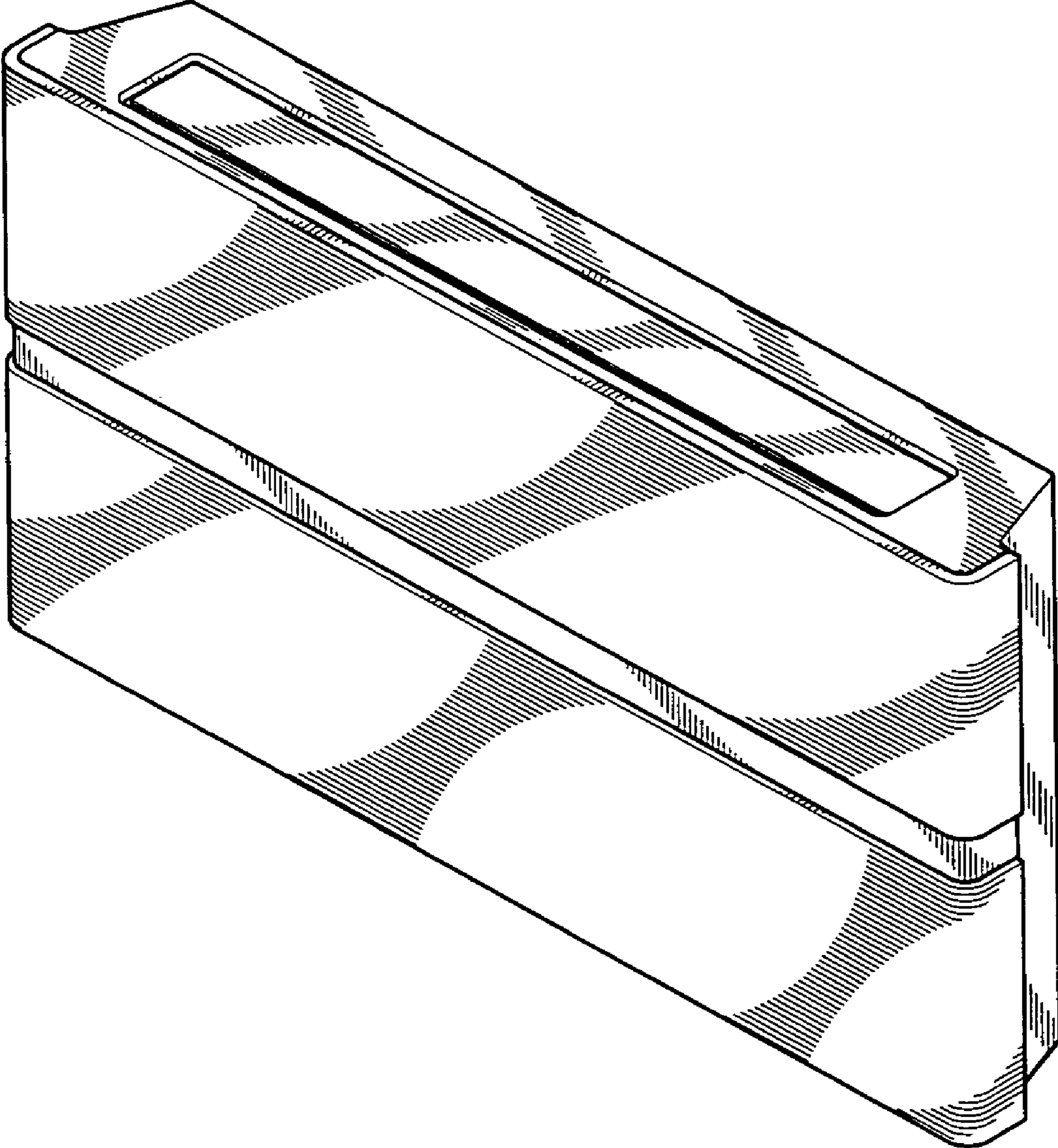


FIG. 2

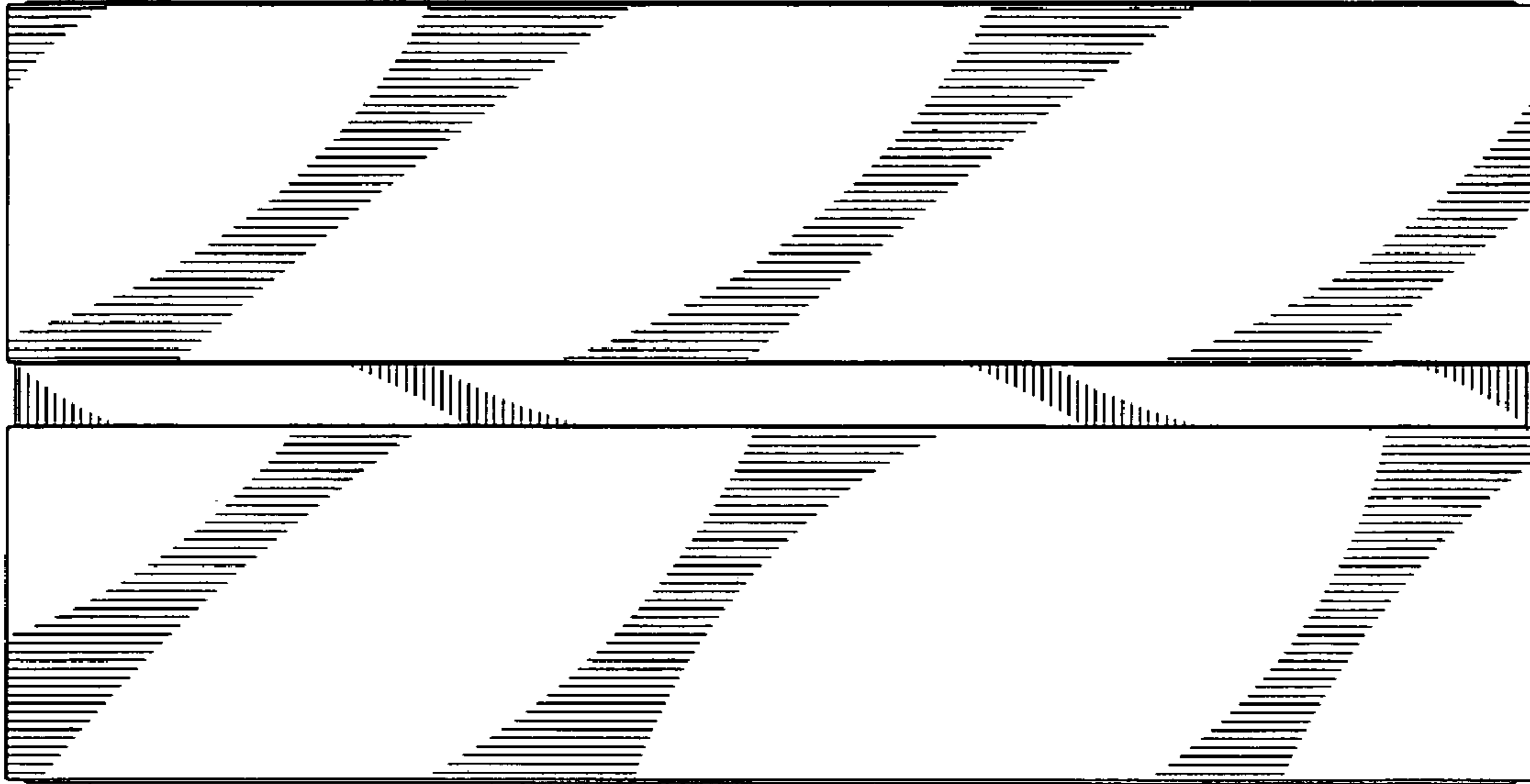


FIG. 3

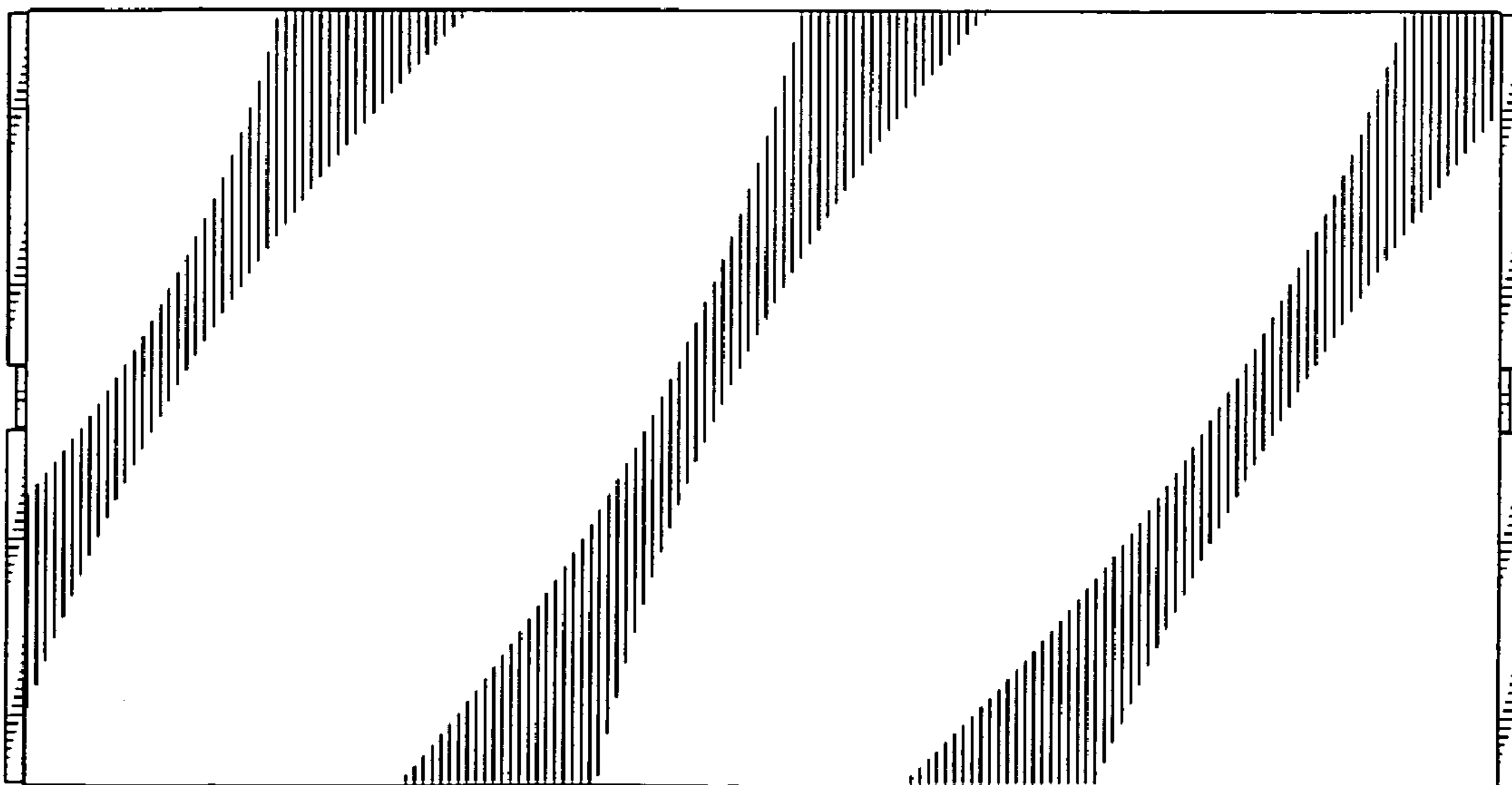


FIG. 4

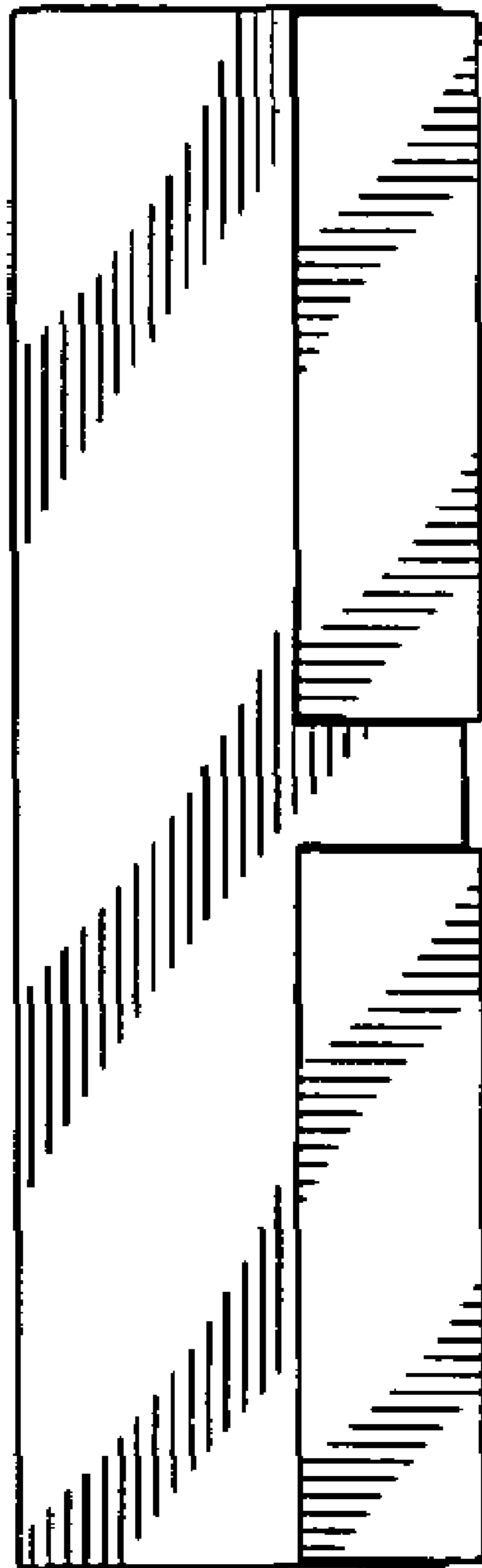


FIG. 5

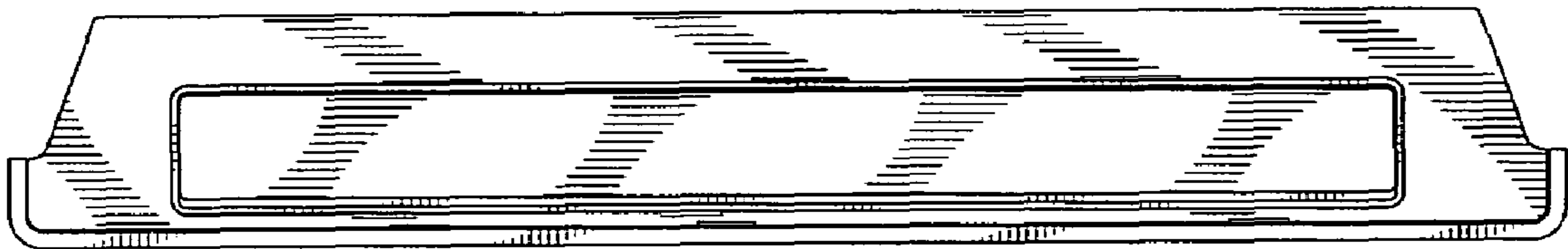


FIG. 6

