



US00D558863S

(12) **United States Design Patent**
Taguchi

(10) **Patent No.:** **US D558,863 S**

(45) **Date of Patent:** **** Jan. 1, 2008**

(54) **WATER CLOSET**

(75) Inventor: **Hiroaki Taguchi**, Kitakyusyu (JP)

(73) Assignee: **ToTo Ltd.**, Kitakyusyu-Shi (JP)

(**) Term: **14 Years**

(21) Appl. No.: **29/274,355**

(22) Filed: **Apr. 19, 2007**

(51) **LOC (8) Cl.** **23-02**

(52) **U.S. Cl.** **D23/295**

(58) **Field of Classification Search** D23/273-274,
D23/295-301, 303, 309; 4/663-665, 300,
4/329, 420, 443, 661, 905, DIG. 11, DIG. 12
See application file for complete search history.

(56) **References Cited**

U.S. PATENT DOCUMENTS

D514,208 S	*	1/2006	Gordon	D23/301
D532,493 S	*	11/2006	Bucher	D23/301
D532,875 S	*	11/2006	Kaule	D23/301

* cited by examiner

Primary Examiner—Robert A. Delehanty

(74) *Attorney, Agent, or Firm*—Birch, Stewart, Kolasch & Birch, LLP

(57) **CLAIM**

The ornamental design for a water closet, as shown and described.

DESCRIPTION

FIG. 1 is a perspective view of the top, front and left side of a water closet showing my new design;

FIG. 2 is a front view thereof;

FIG. 3 is a rear view thereof;

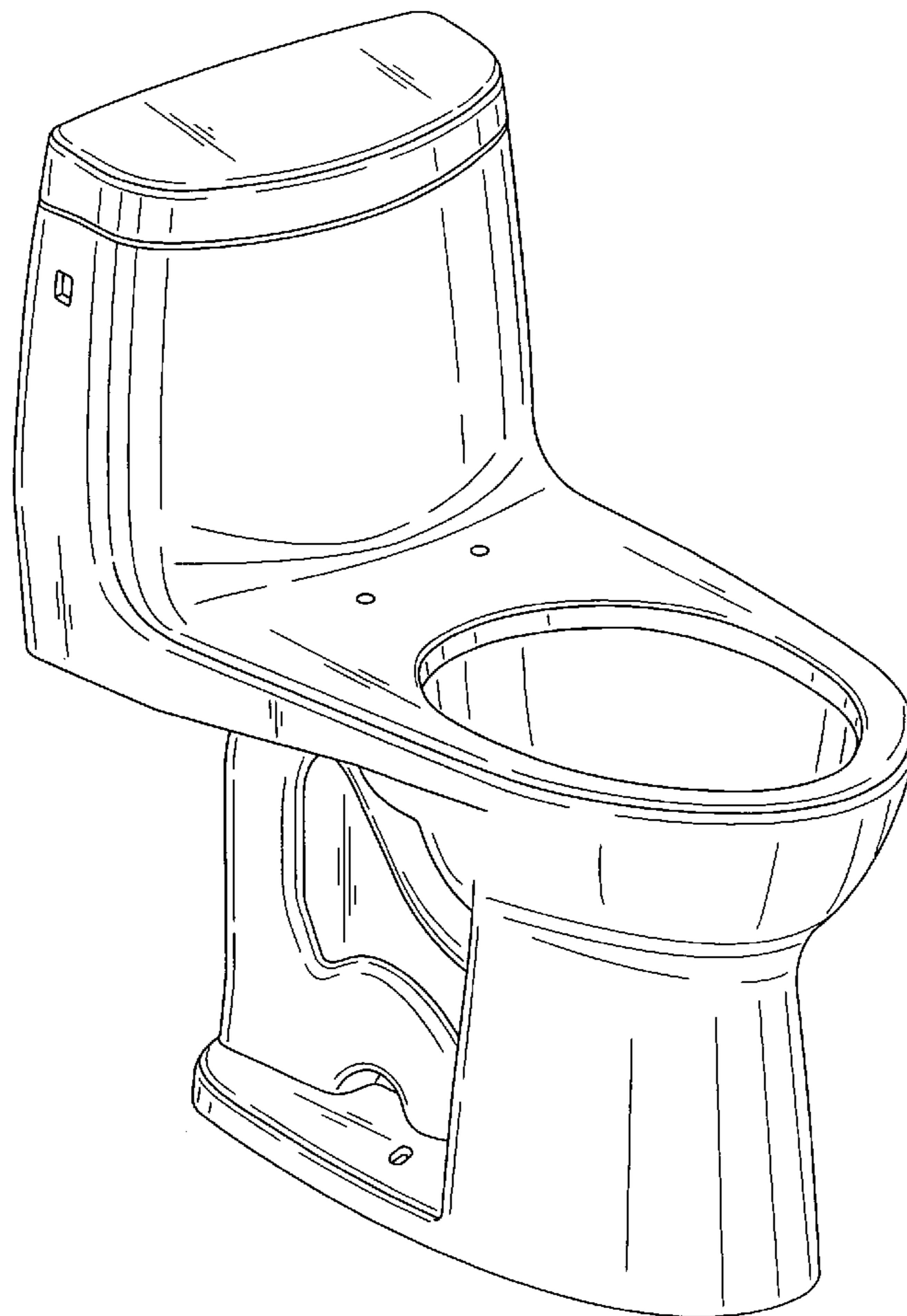
FIG. 4 is a right side view thereof;

FIG. 5 is a left side view thereof;

FIG. 6 is a top plan view thereof; and,

FIG. 7 is a bottom view thereof.

1 Claim, 7 Drawing Sheets



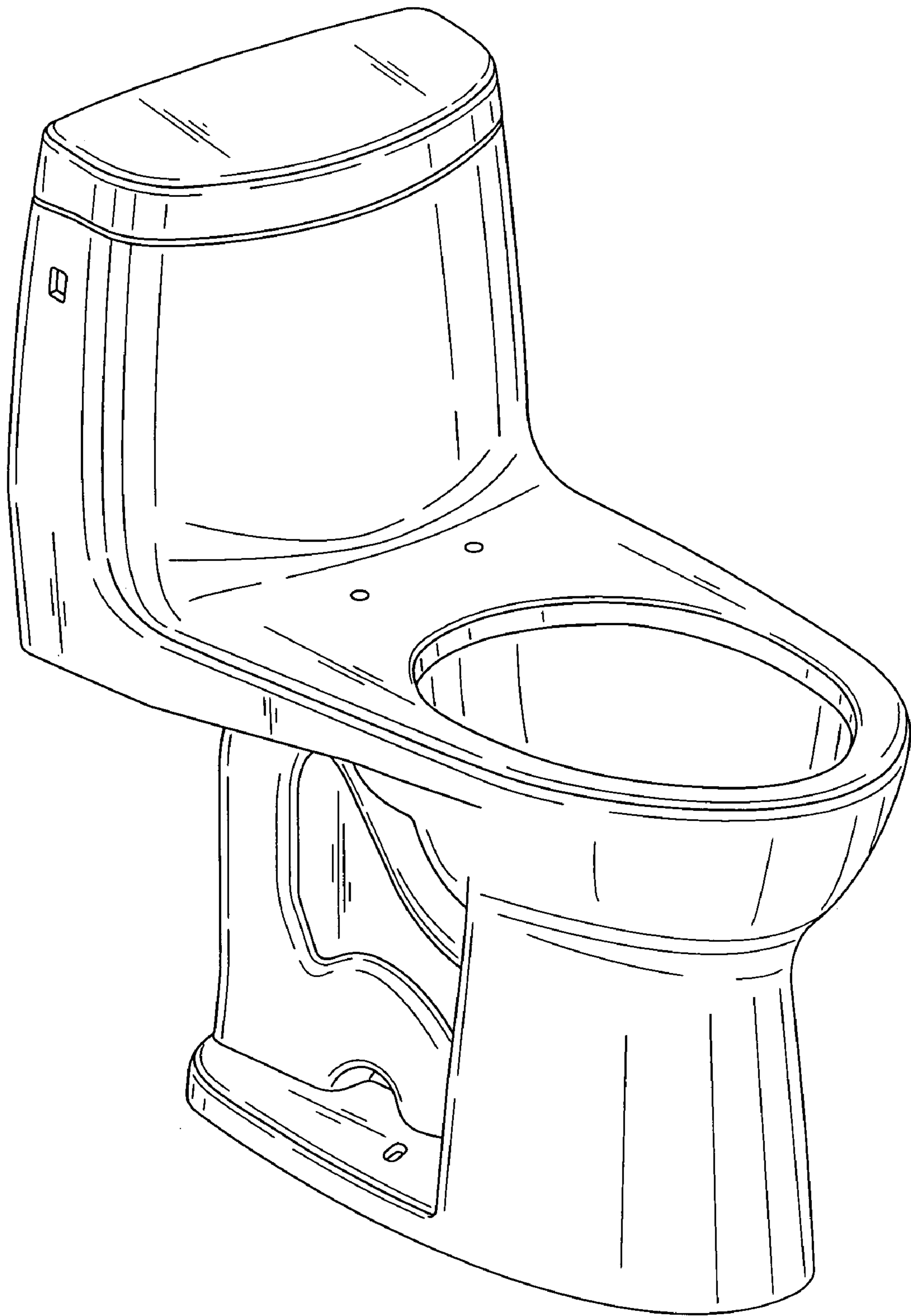


FIG. 1

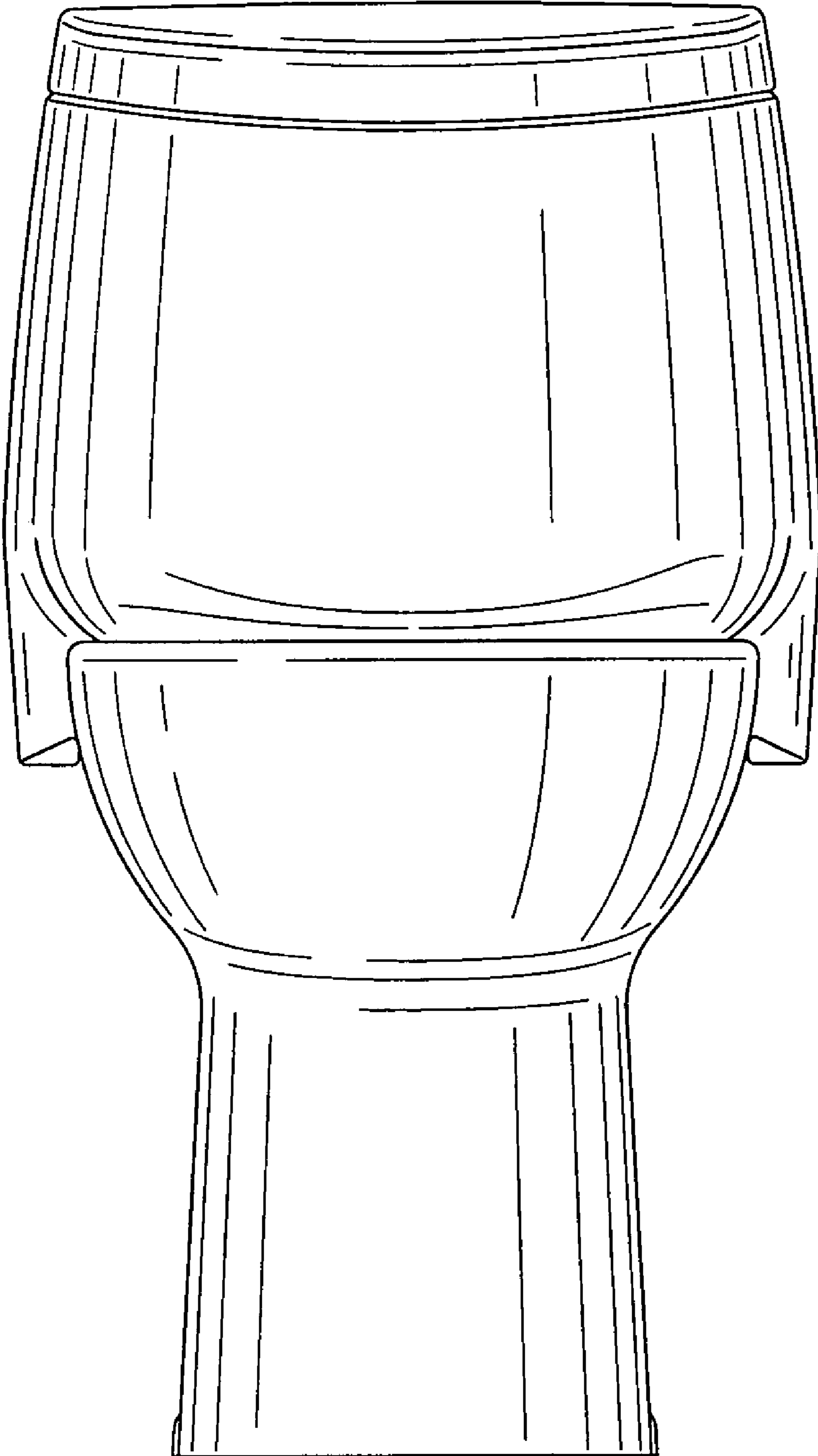


FIG. 2

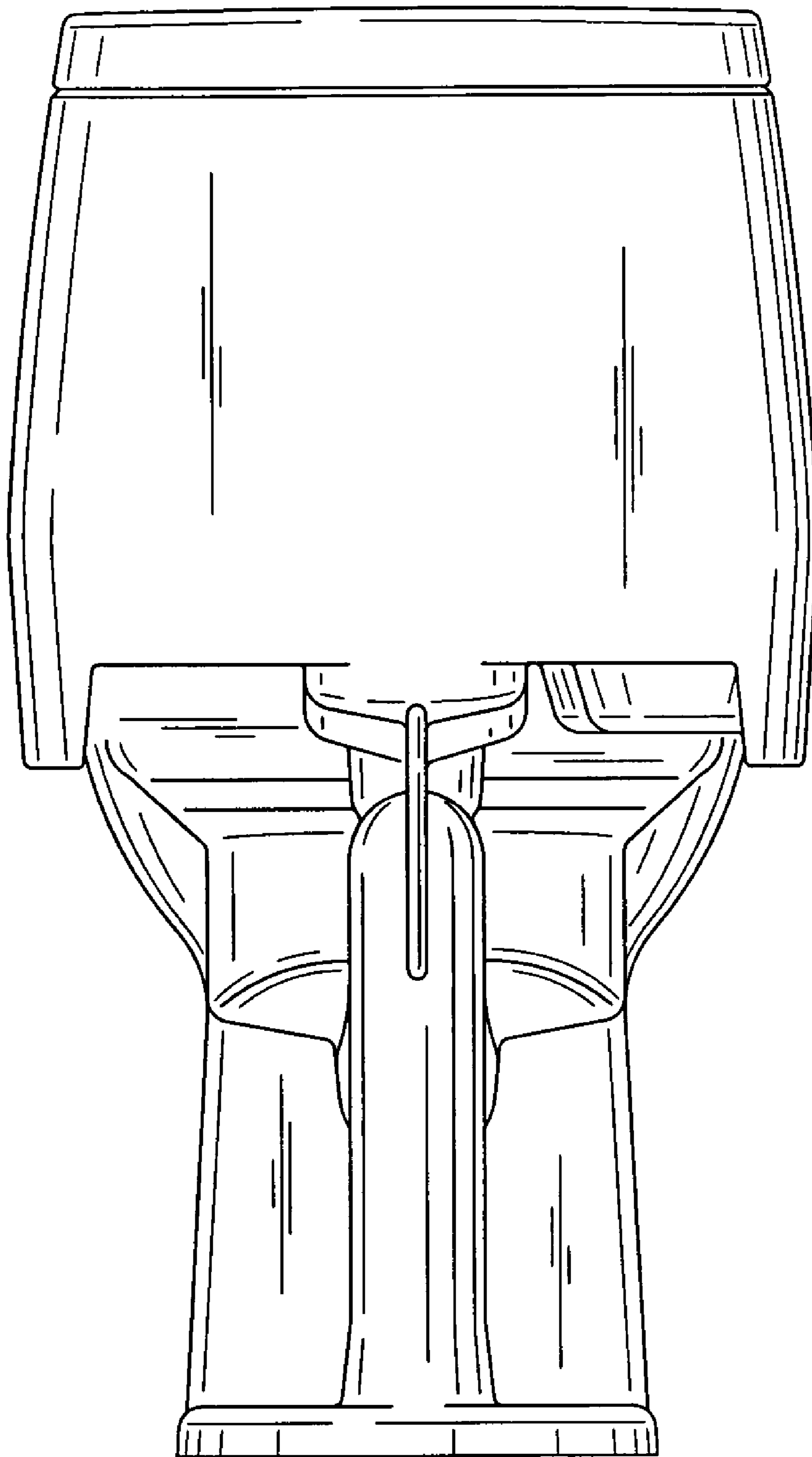


FIG. 3

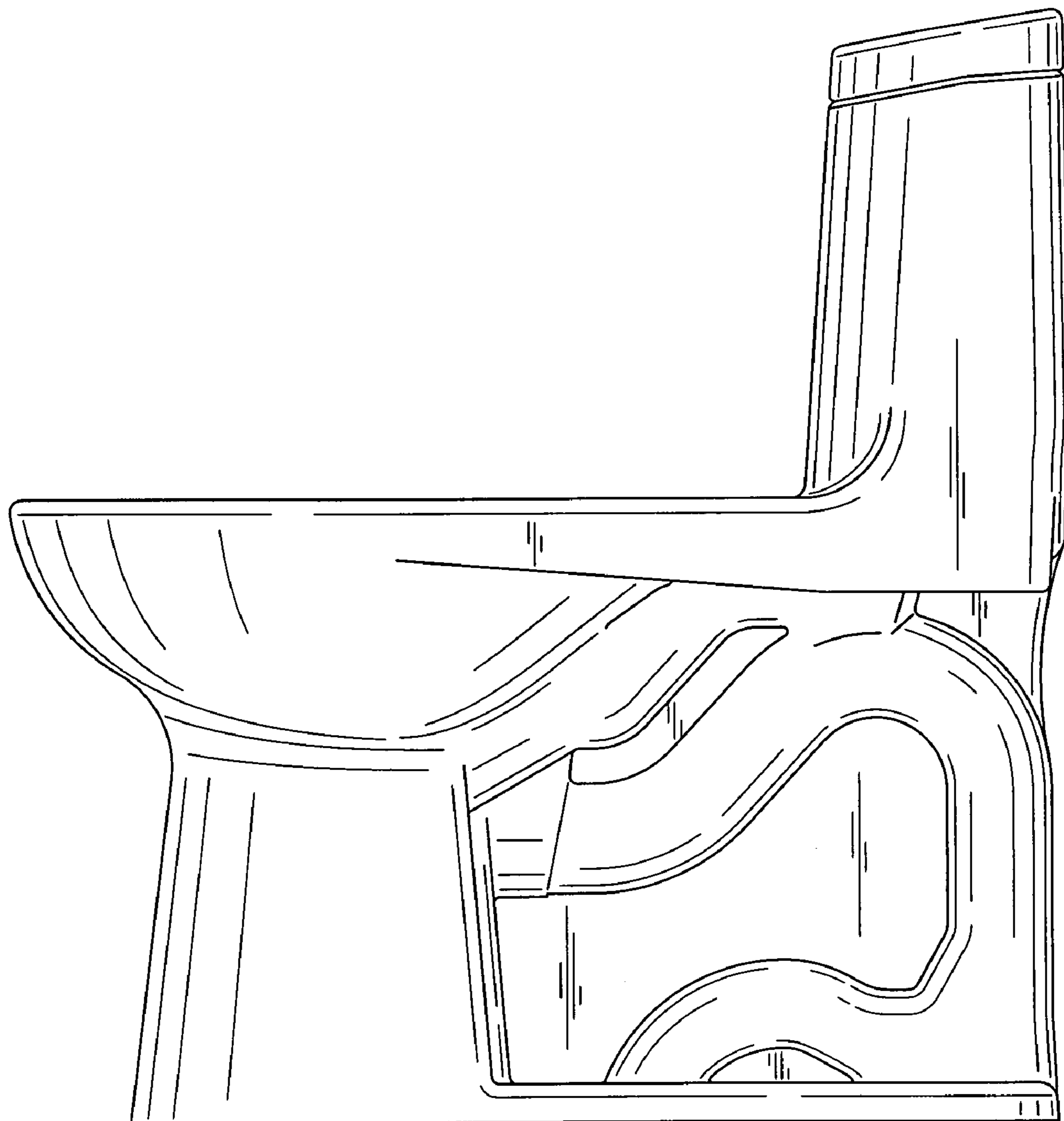


FIG. 4

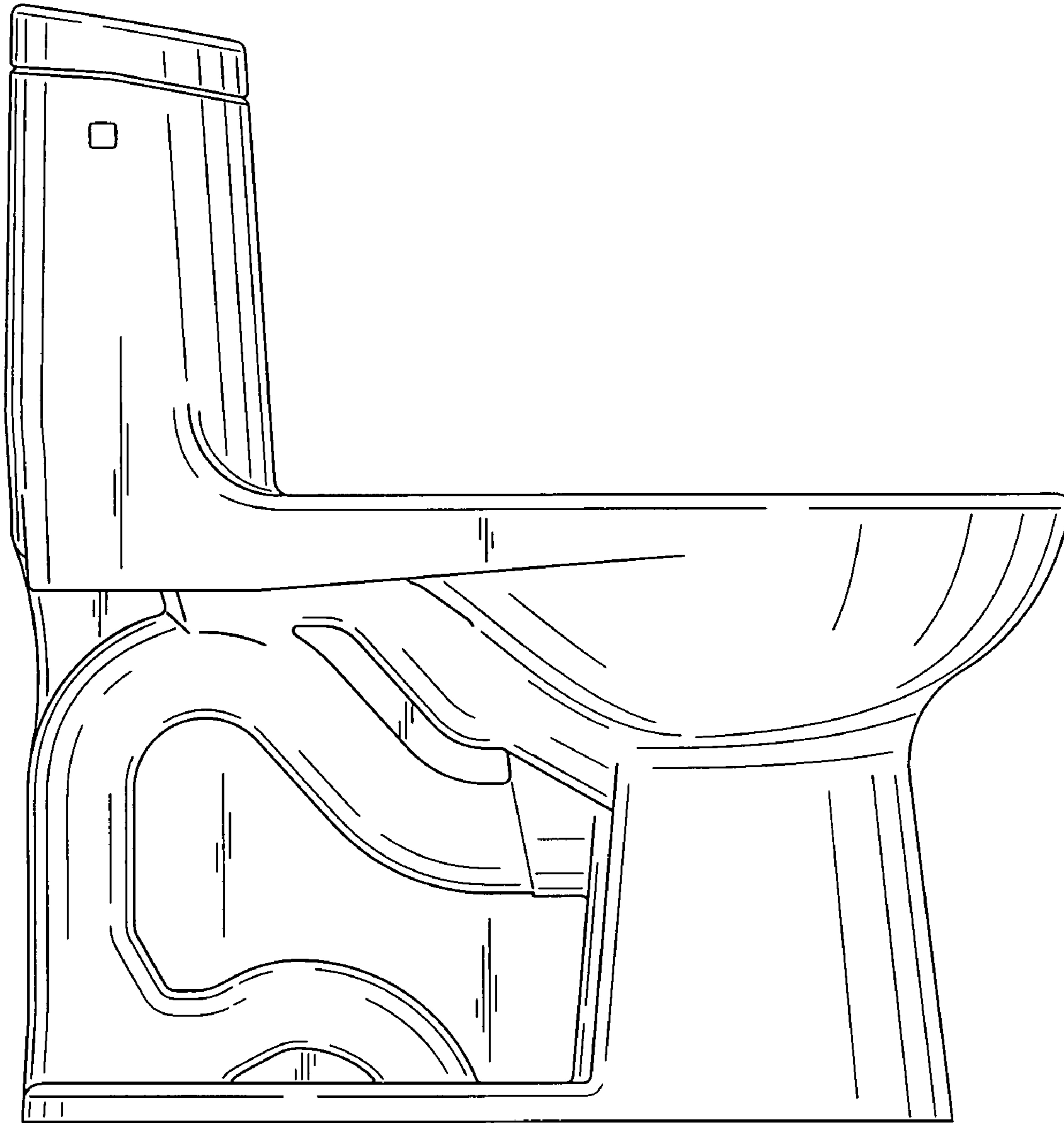


FIG. 5

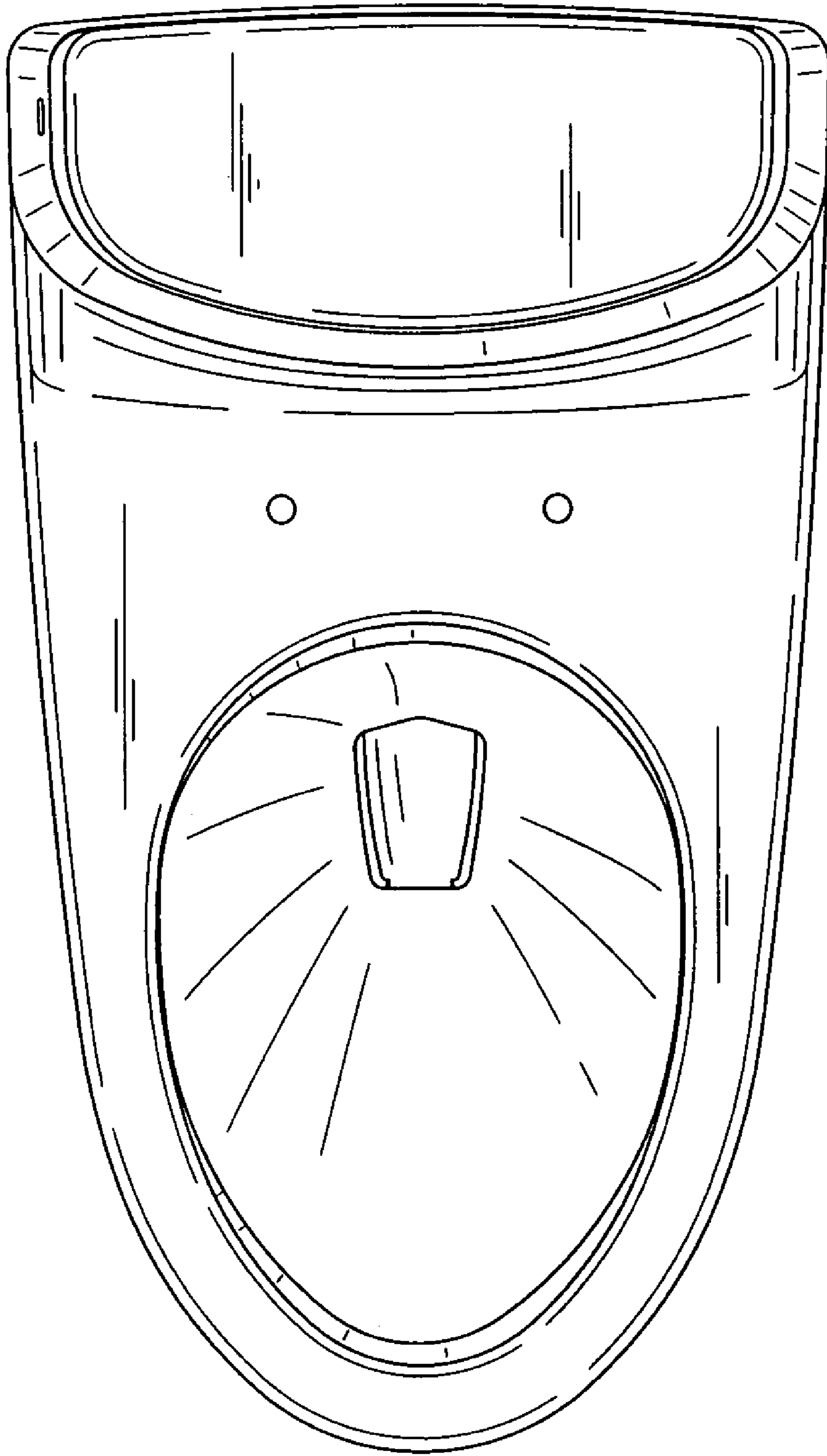


FIG. 6

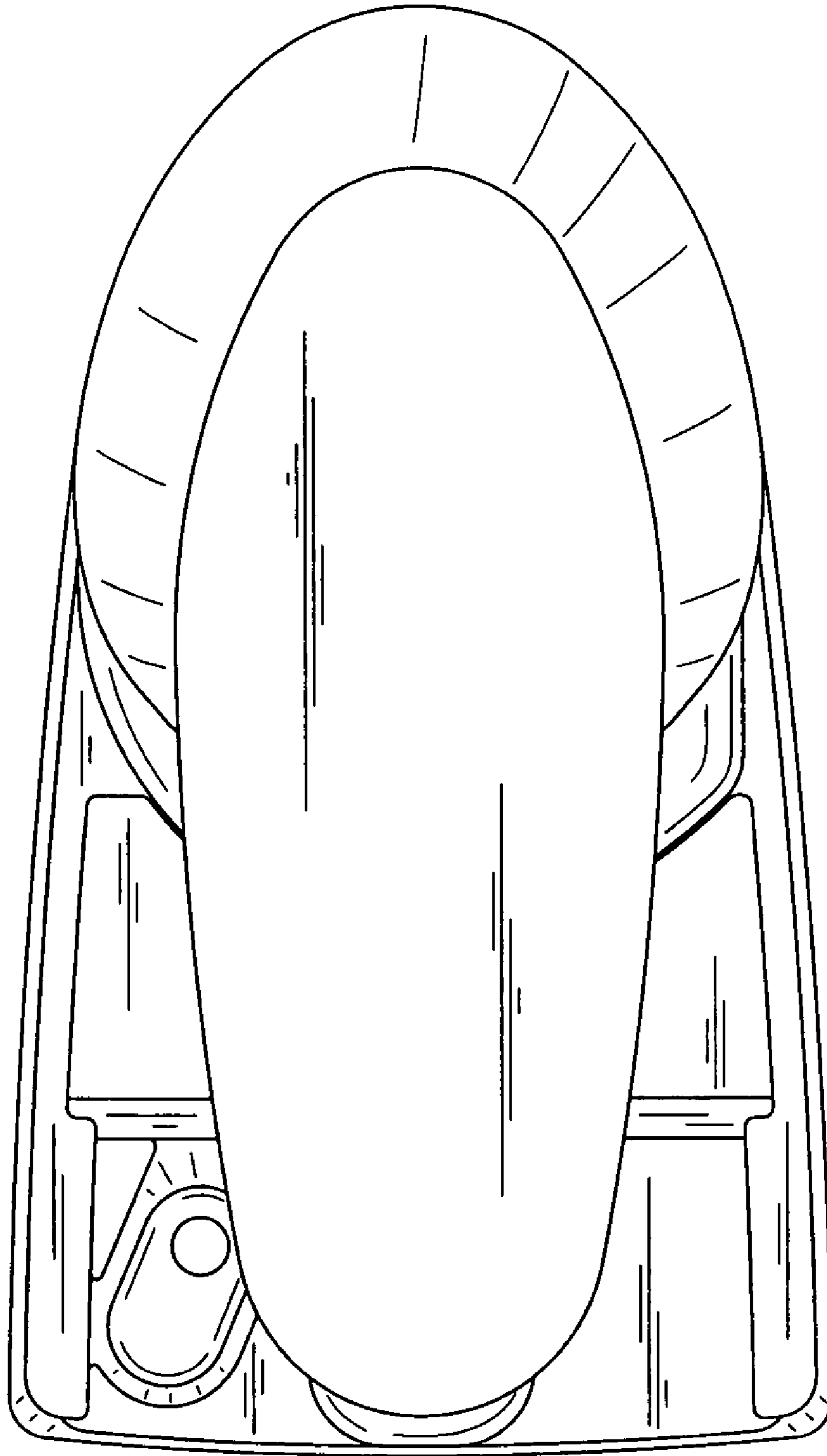


FIG. 7