

US00D558860S

(12) **United States Design Patent**
Breymaier et al.

(10) **Patent No.:** **US D558,860 S**

(45) **Date of Patent:** **** Jan. 1, 2008**

(54) **TUB**

D539,399 S * 3/2007 Daikubara D23/306

(75) Inventors: **Robert S. Breymaier**, Adamsville, TN (US); **Cassidy D. Spaulding**, Bethel Springs, TN (US); **Bren Thomas**, Savannah, TN (US); **Larry W. Higgins**, Adamsville, TN (US)

* cited by examiner

Primary Examiner—Robert A. Delehanty

(74) *Attorney, Agent, or Firm*—Nirav D. Parikh; Lloyd D. Doigan

(73) Assignee: **Aqua Glass Corporation**, Adamsville, TN (US)

(**) Term: **14 Years**

(57) **CLAIM**

An ornamental design for a tub, as shown and described.

(21) Appl. No.: **29/285,524**

(22) Filed: **Mar. 30, 2007**

DESCRIPTION

(51) **LOC (8) Cl.** **23-02**

(52) **U.S. Cl.** **D23/277**

(58) **Field of Classification Search** D23/273,
D23/275–280.4, 304–306; D24/204–205;
4/538, 573.1, 584, 589, 591

See application file for complete search history.

FIG. 1 is a top front perspective view of the tub showing our new design;

FIG. 2 is a top plan view thereof; and,

FIG. 3 is a front elevational view thereof.

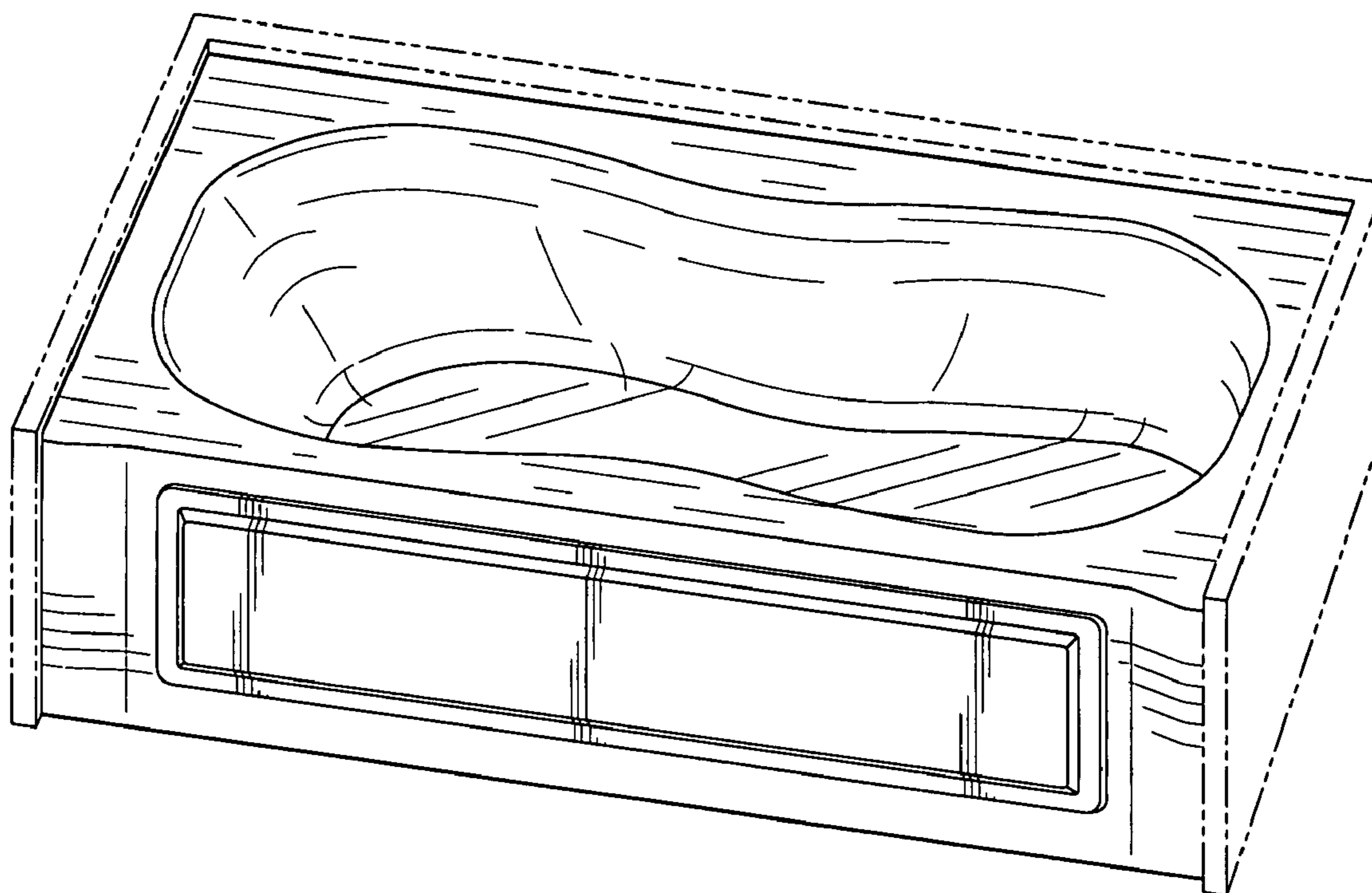
The broken lines in the drawings are for illustration purposes only and form no part of the claimed invention.

(56) **References Cited**

U.S. PATENT DOCUMENTS

D524,924 S * 7/2006 Lanius D23/277

1 Claim, 2 Drawing Sheets



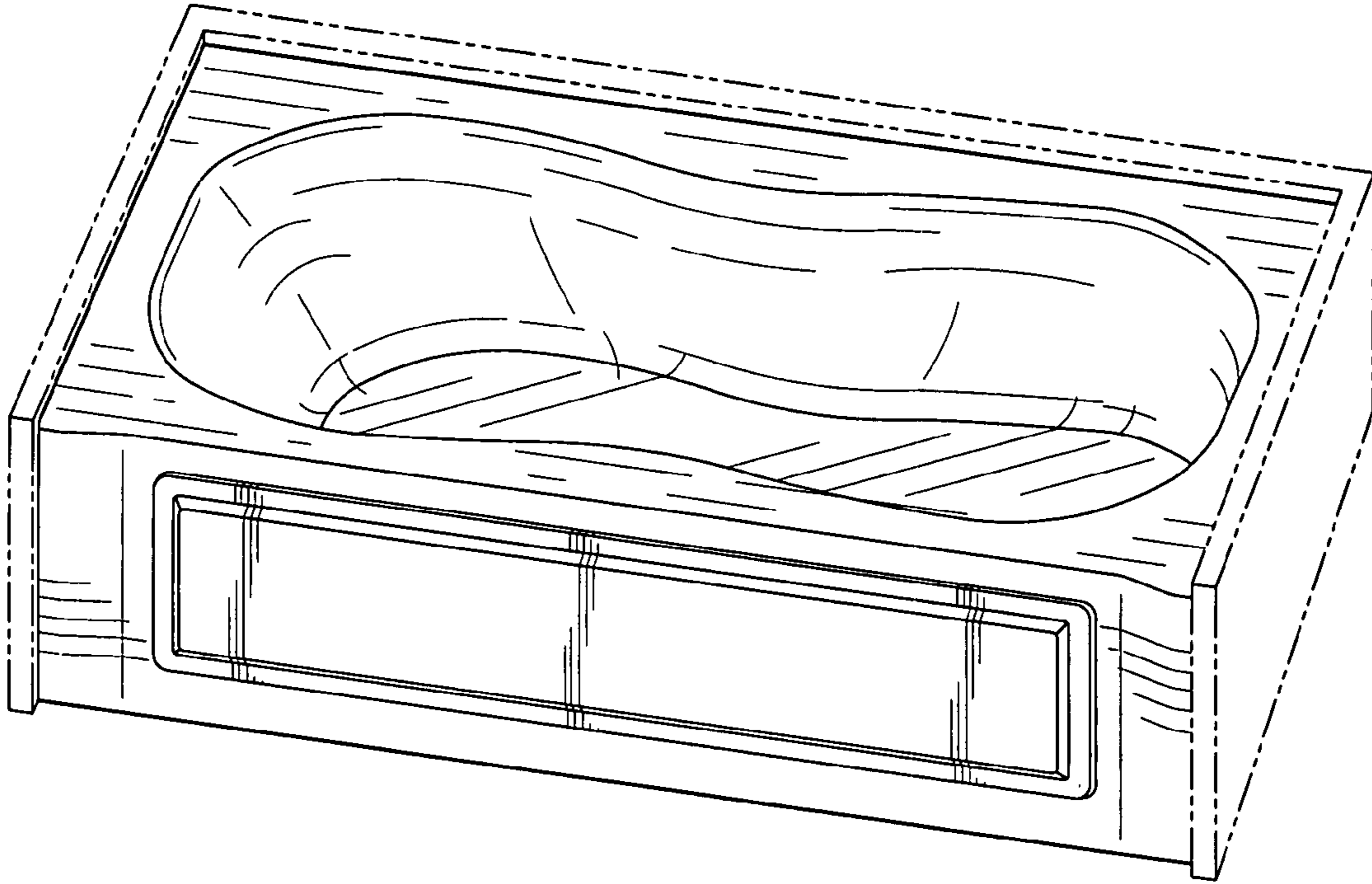


Fig-1

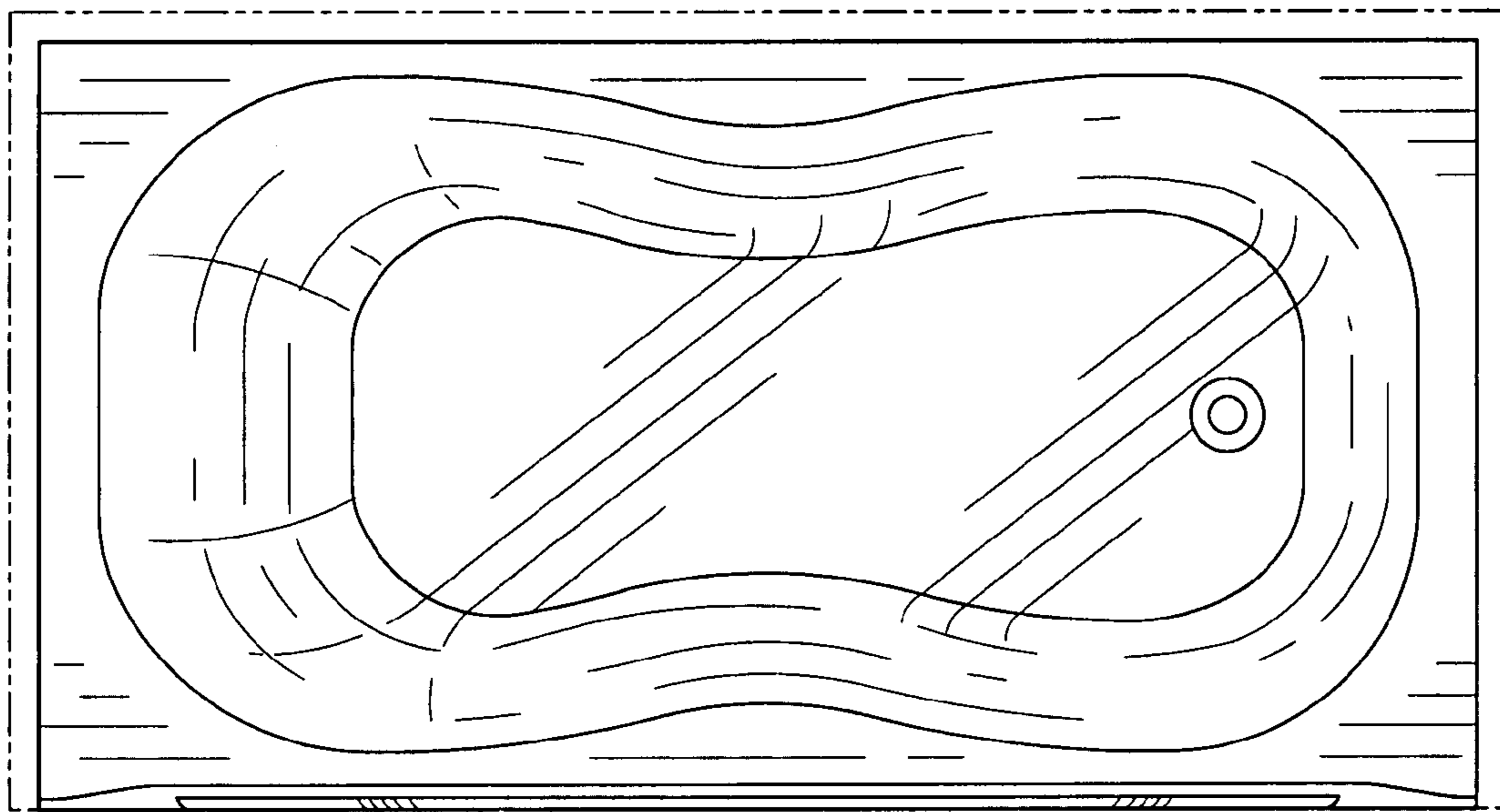


Fig-2

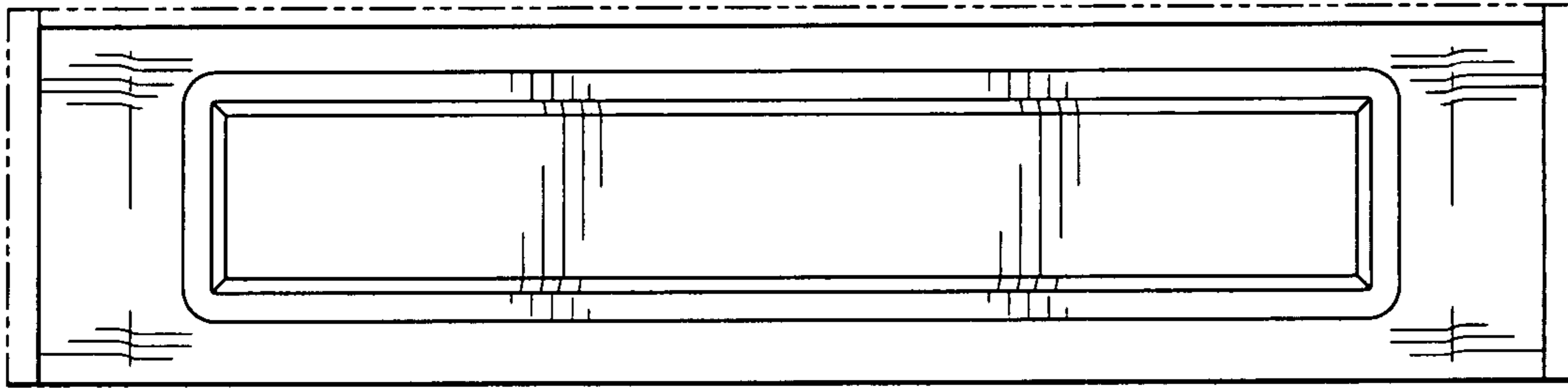


Fig-3