



US00D558857S

(12) **United States Design Patent**
Ingraham

(10) **Patent No.:** **US D558,857 S**

(45) **Date of Patent:** **** Jan. 1, 2008**

(54) **SPRAYER FOR SAND AND DEBRIS
REMOVAL**

(76) Inventor: **Frederick G. Ingraham**, P.O. Box 18,
Topsfield, MA (US) 01983

(**) Term: **14 Years**

(21) Appl. No.: **29/251,375**

(22) Filed: **Jan. 6, 2006**

(51) **LOC (8) Cl.** **23-01**

(52) **U.S. Cl.** **D23/225**

(58) **Field of Classification Search** D23/213,
D23/225, 91.1; 239/302, 337, 327
See application file for complete search history.

(56) **References Cited**

U.S. PATENT DOCUMENTS

D387,270 S	*	12/1997	Bifulco	D9/600
D387,271 S	*	12/1997	Bifulco	D23/225
D391,626 S		3/1998	Spriegel		
5,769,322 A		6/1998	Smith		
5,938,116 A	*	8/1999	Restive et al.	239/1
D421,204 S	*	2/2000	McBride	D8/2
D431,279 S		9/2000	Spriegel		
D464,109 S	*	10/2002	McLaughlin	D23/225
6,565,015 B2		5/2003	Leer et al.		
6,695,228 B2		2/2004	Odessa		
D490,299 S		5/2004	Byron		
D490,877 S		6/2004	Byron		

OTHER PUBLICATIONS

Chapin Spray and Go Plus Sprayer, Chapin International Inc.,
Online 2005 Catalog, Retrieved on Dec. 28, 2005. URL: <http://www.chapinmfg.com/RCatalog1.asp>.

Gilmour, Spray Tanks : Basic Sprayers, Gilmour Group, Online
Catalog, Retrieved on Dec. 28, 2005. URL: http://www.gilmour.com/Tank_Sprayers/SprayerTanks/Basic.asp.

* cited by examiner

Primary Examiner—Robin V. Webster

(74) *Attorney, Agent, or Firm*—Antoinette G. Giugliano, PC

(57) **CLAIM**

The ornamental design for a sprayer for sand and debris
removal, as shown and described.

DESCRIPTION

This application relates to a Utility patent application Ser.
No. 11/306,676, filed on even date herewith, in the name of
Frederick G. Ingraham, the entire teachings of which are
incorporated herein by reference.

The design of the sprayer of the present invention includes
an essentially spherical shape to mimic a beach ball, and is
used to remove sand or debris from a person, e.g., a child
that has been playing at the beach.

FIG. 1 is a perspective view of an essentially spherically
shaped sprayer in one embodiment of the present invention.

FIG. 2 is a front view of the essentially spherically shaped
sprayer of the present invention.

FIG. 3 is a top view of the essentially spherically shaped
sprayer of the present invention.

FIG. 4 is a bottom view of the essentially spherically shaped
sprayer of the present invention.

FIG. 5 is a side view of the essentially spherically shaped
sprayer of the present invention.

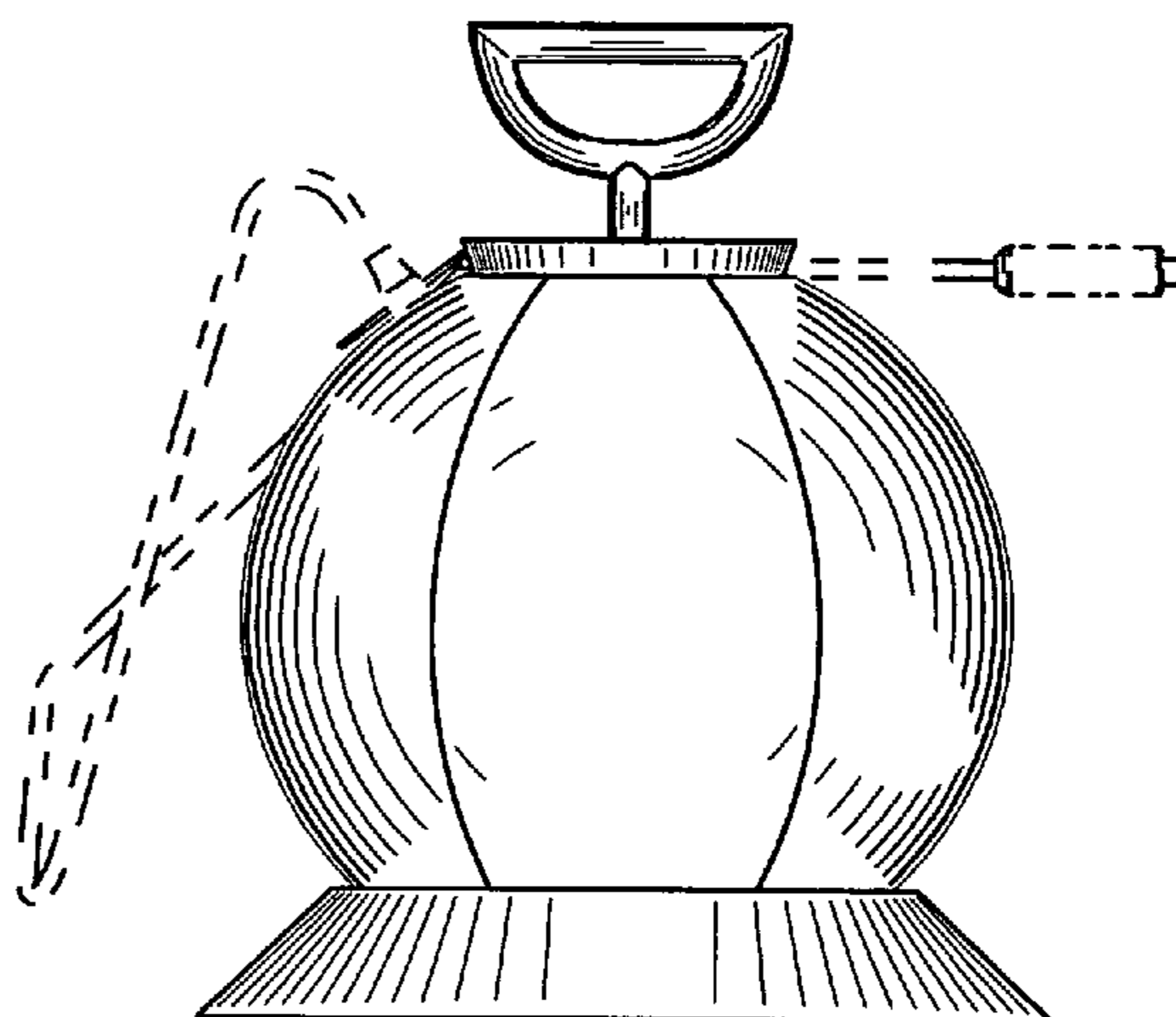
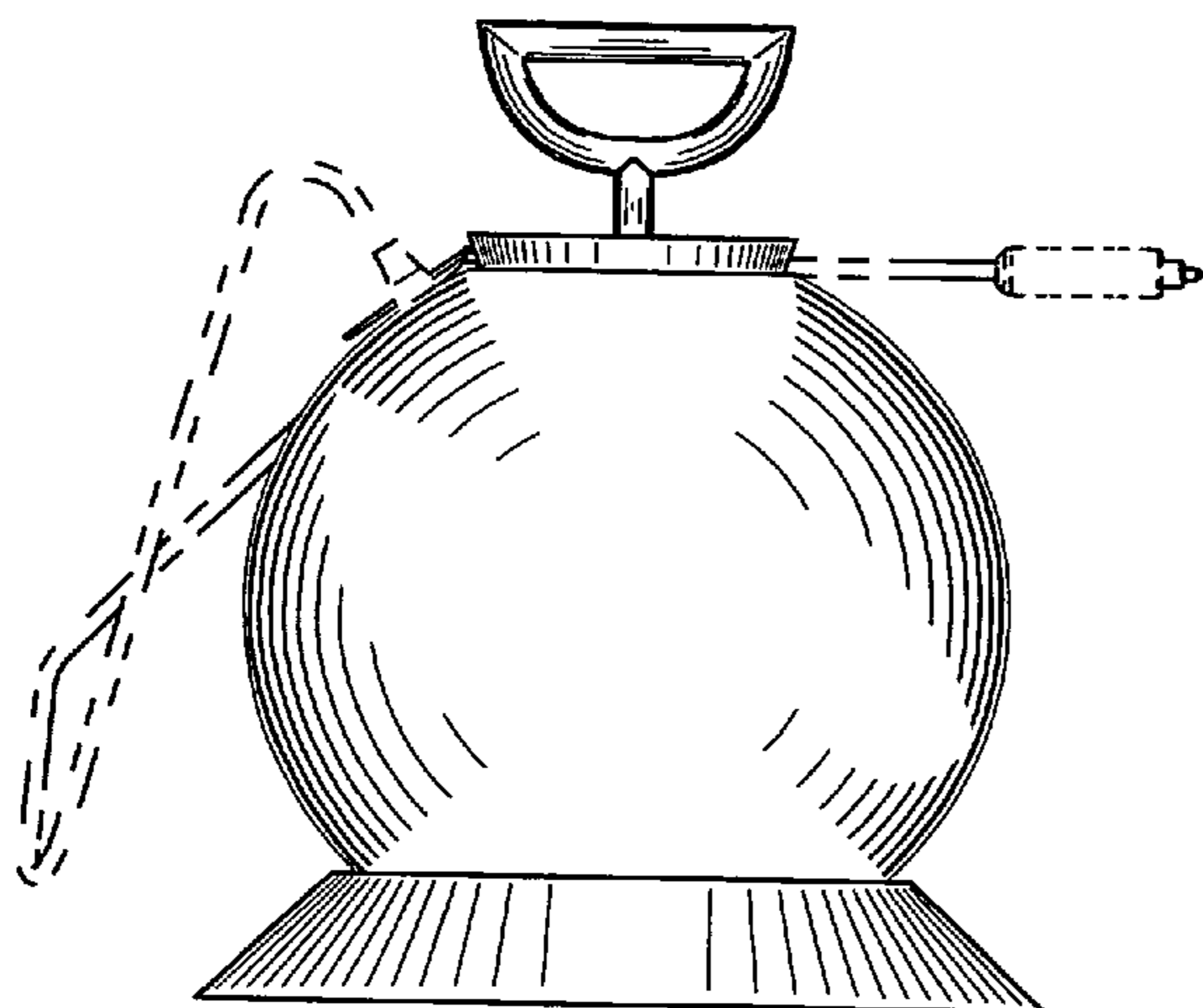
FIG. 6 is a back view of an essentially spherically shaped
sprayer of the present invention.

FIG. 7 is another side view of the essentially spherically
shaped sprayer of the present invention; and,

FIG. 8 is a front view of an essentially spherically shaped
sprayer of an embodiment of the present invention that
mimics a beach ball.

The broken line showing is included for the purpose of
illustrating and forms no part of the claimed design.

1 Claim, 3 Drawing Sheets



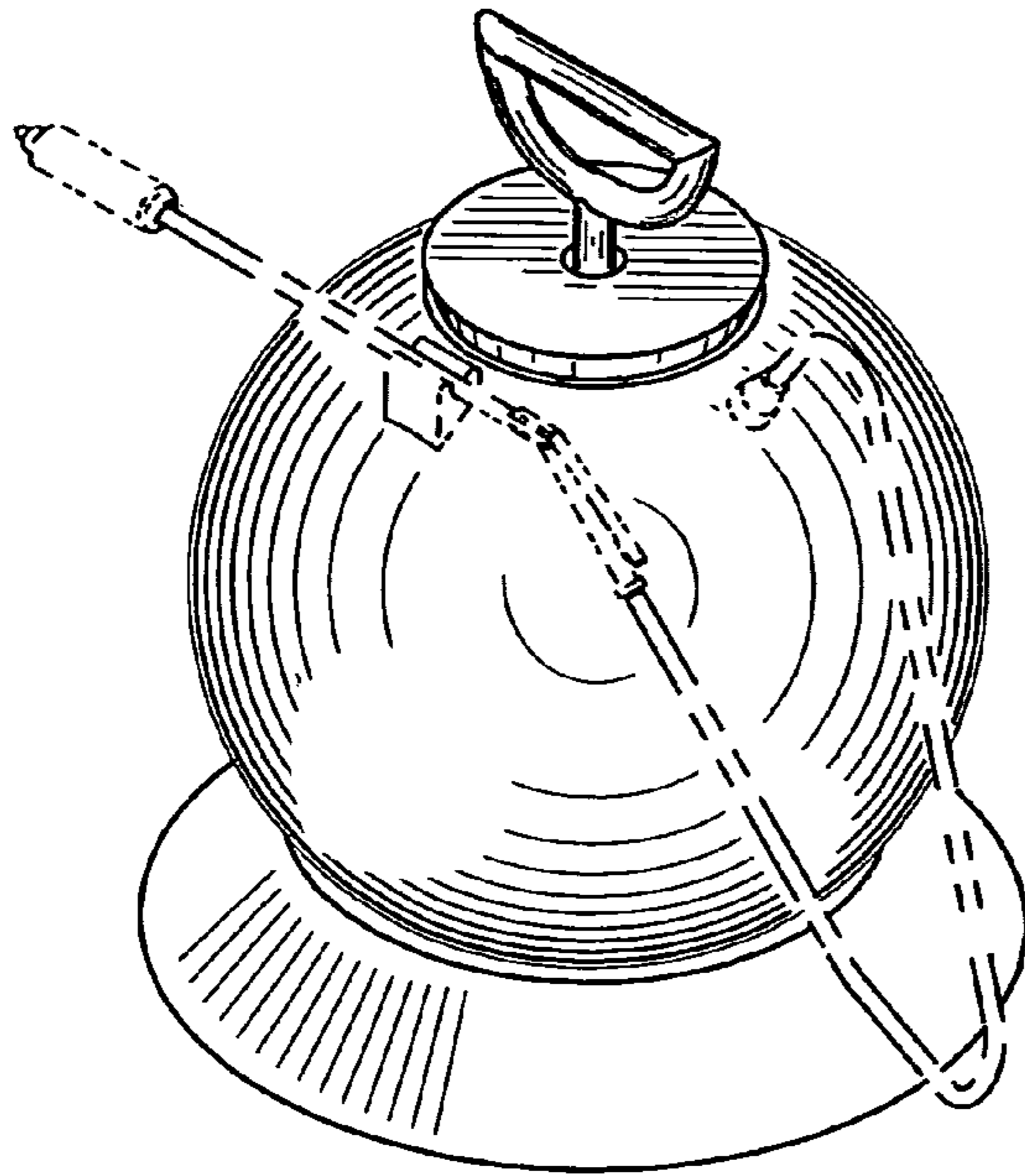


FIG. 1

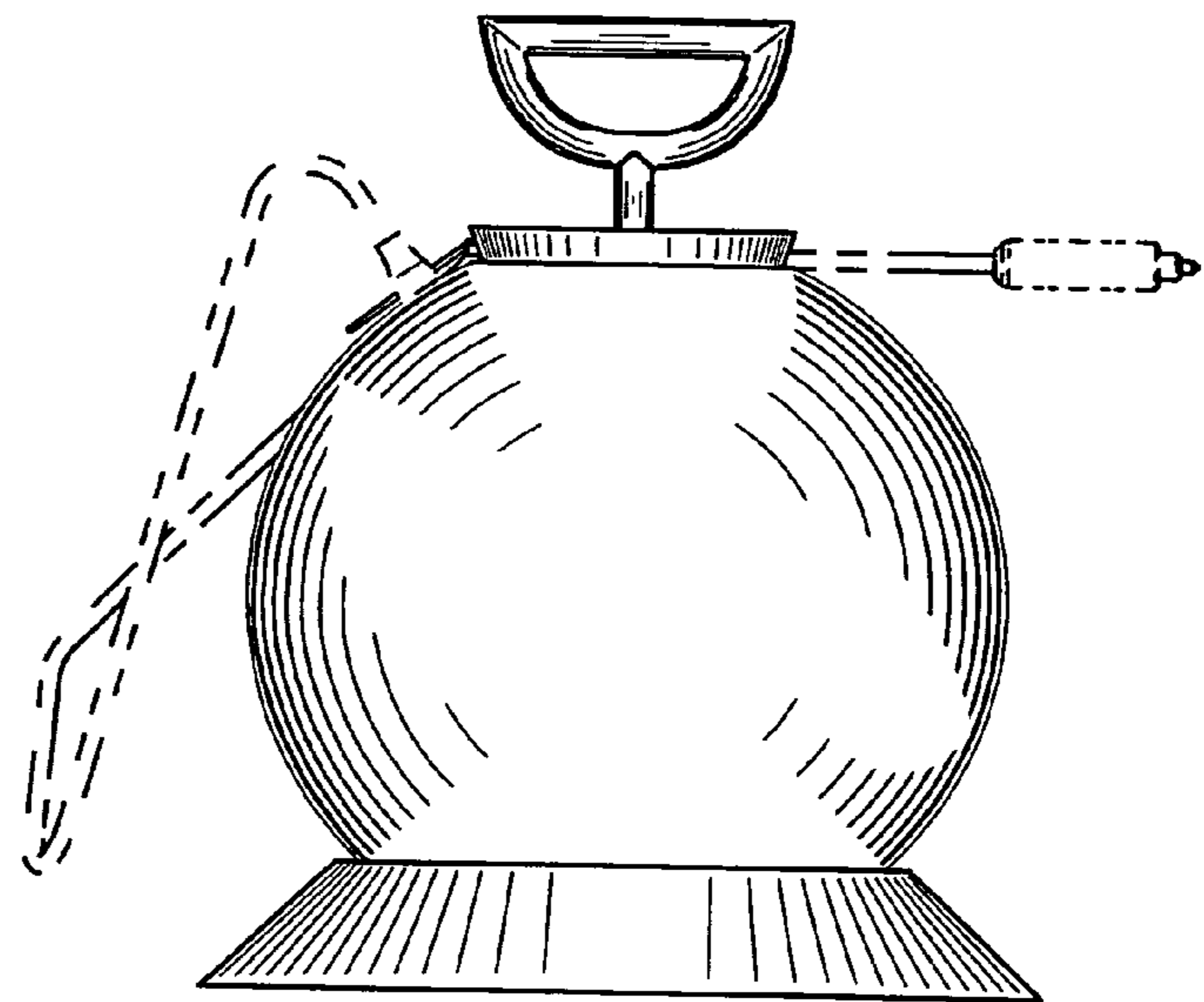


FIG. 2

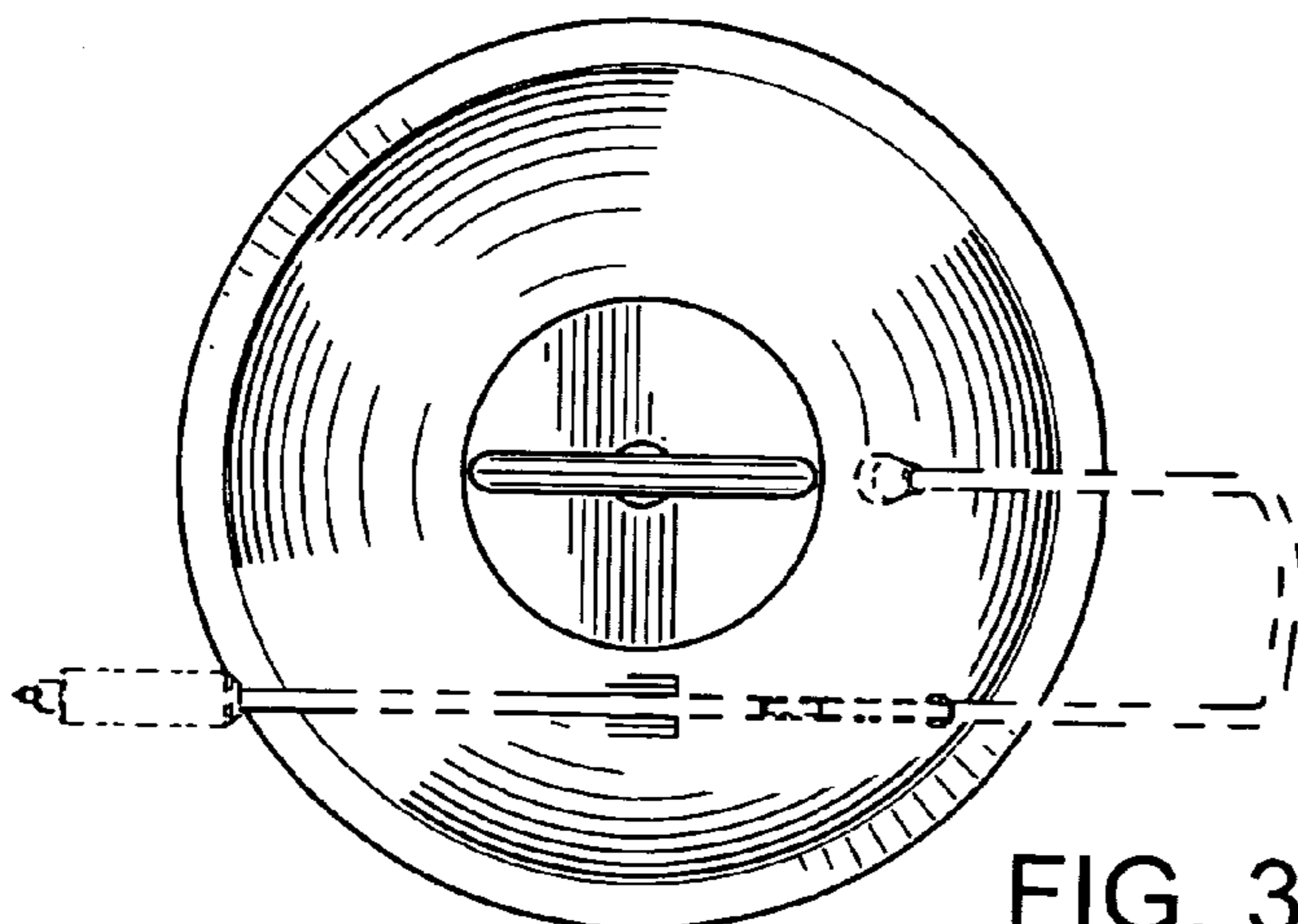


FIG. 3

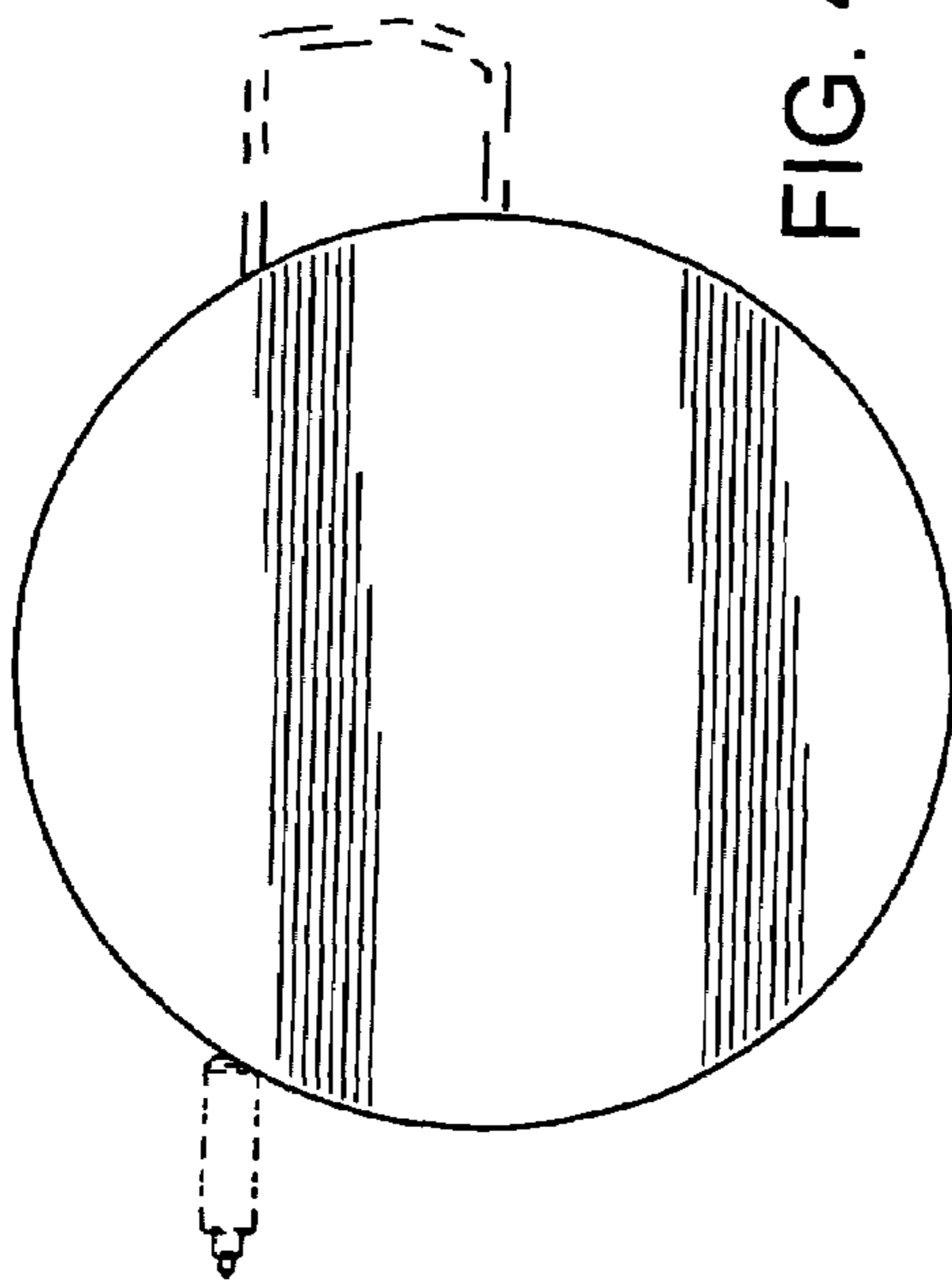


FIG. 4

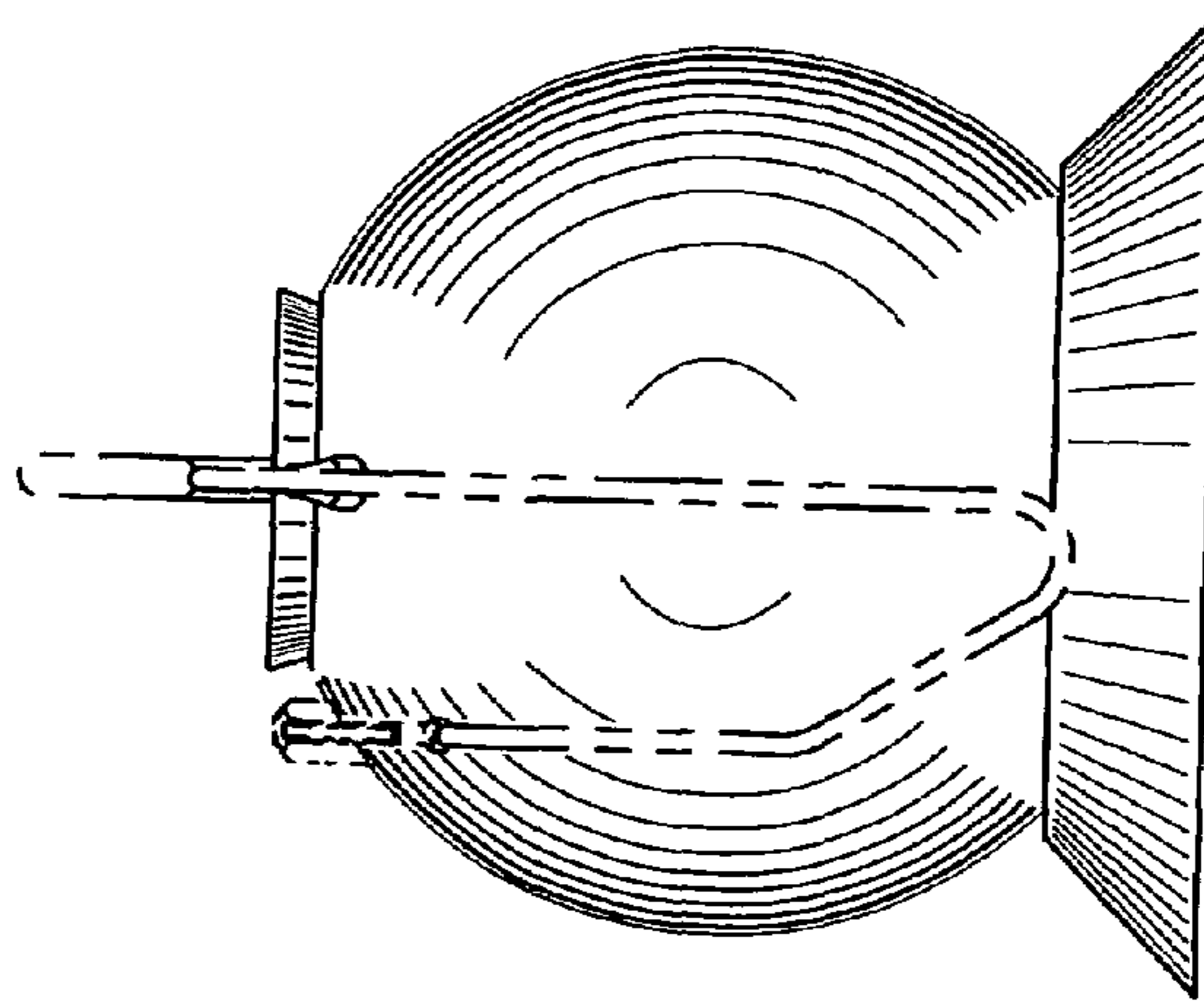


FIG. 5

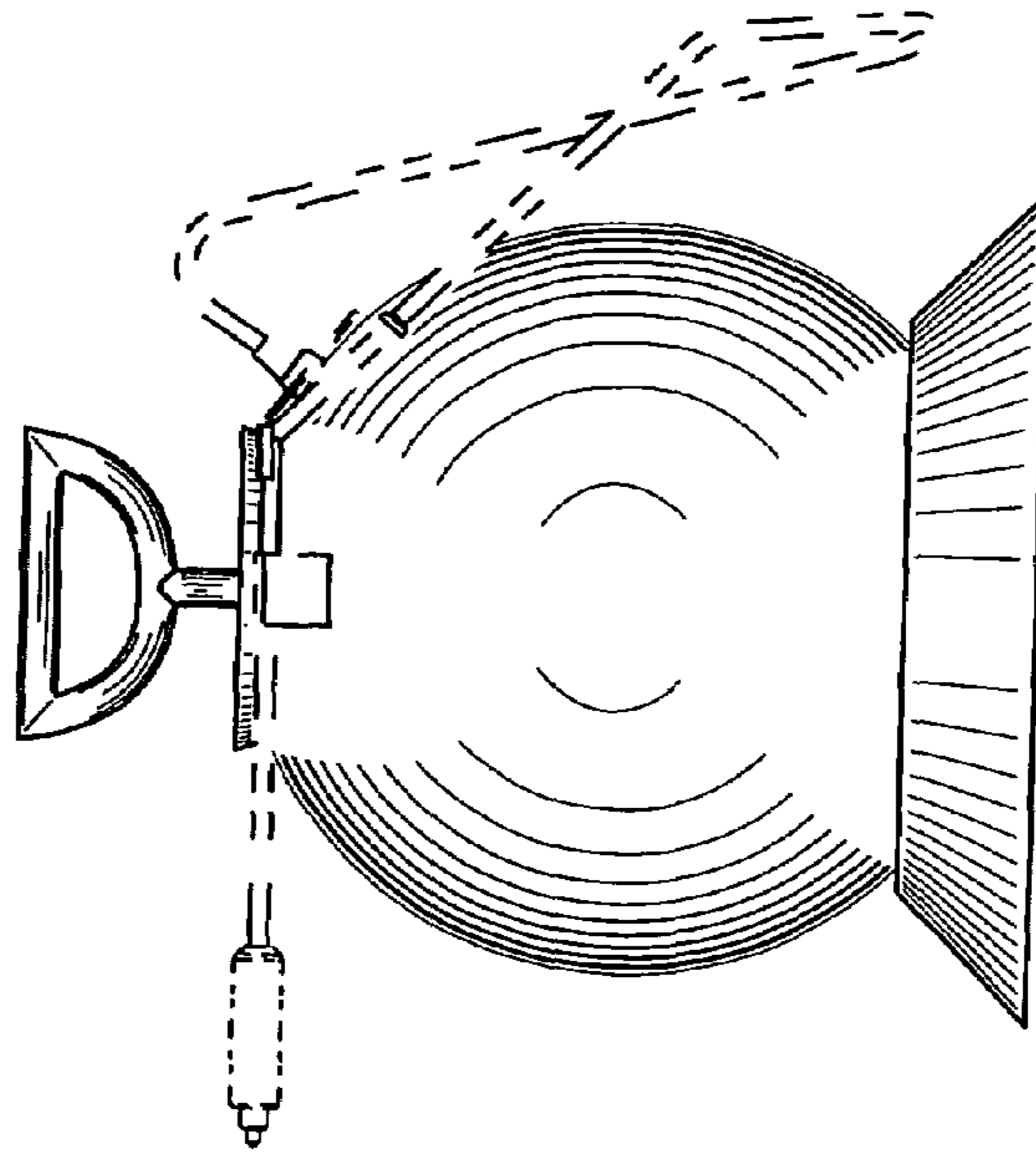


FIG. 6

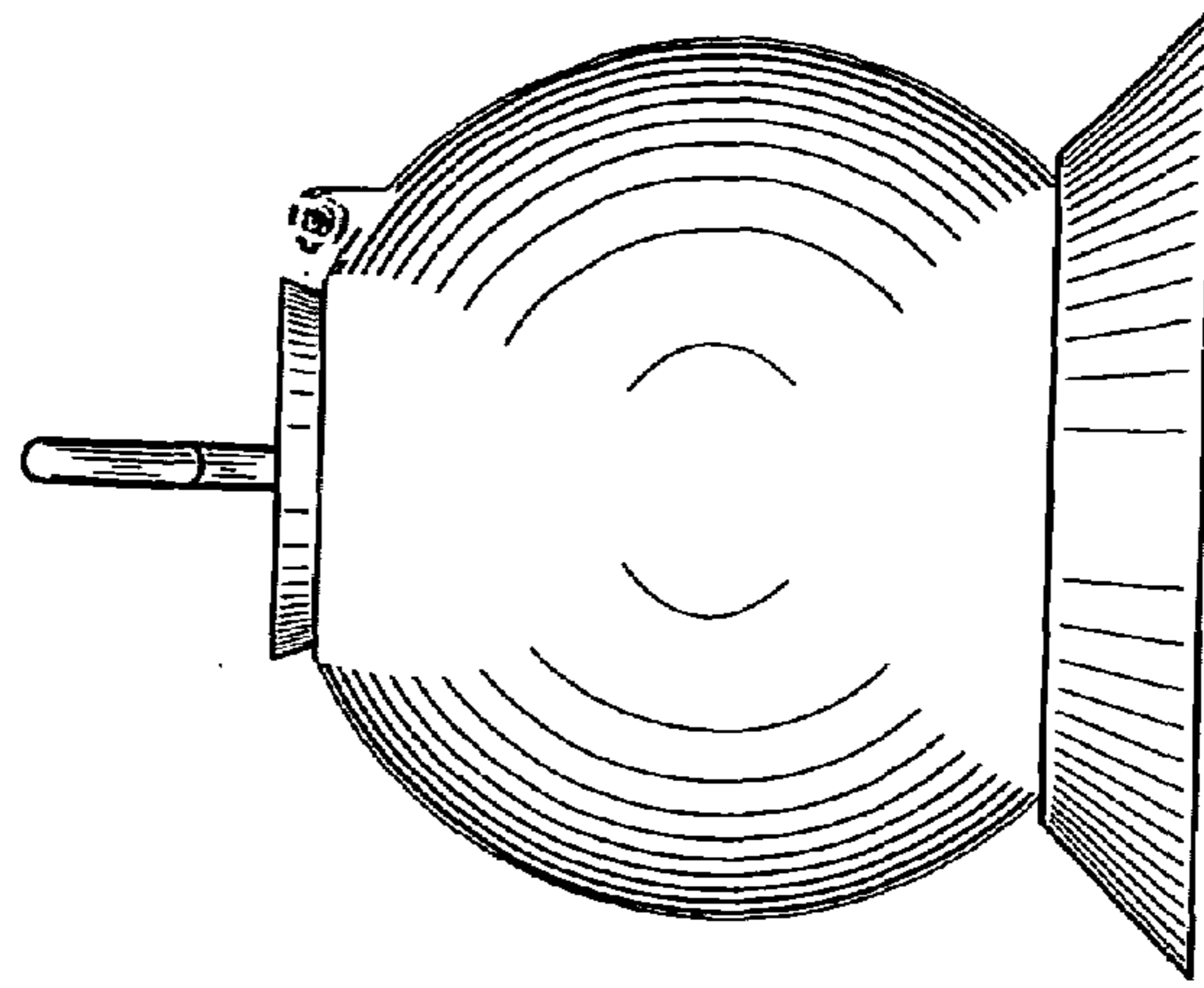


FIG. 7

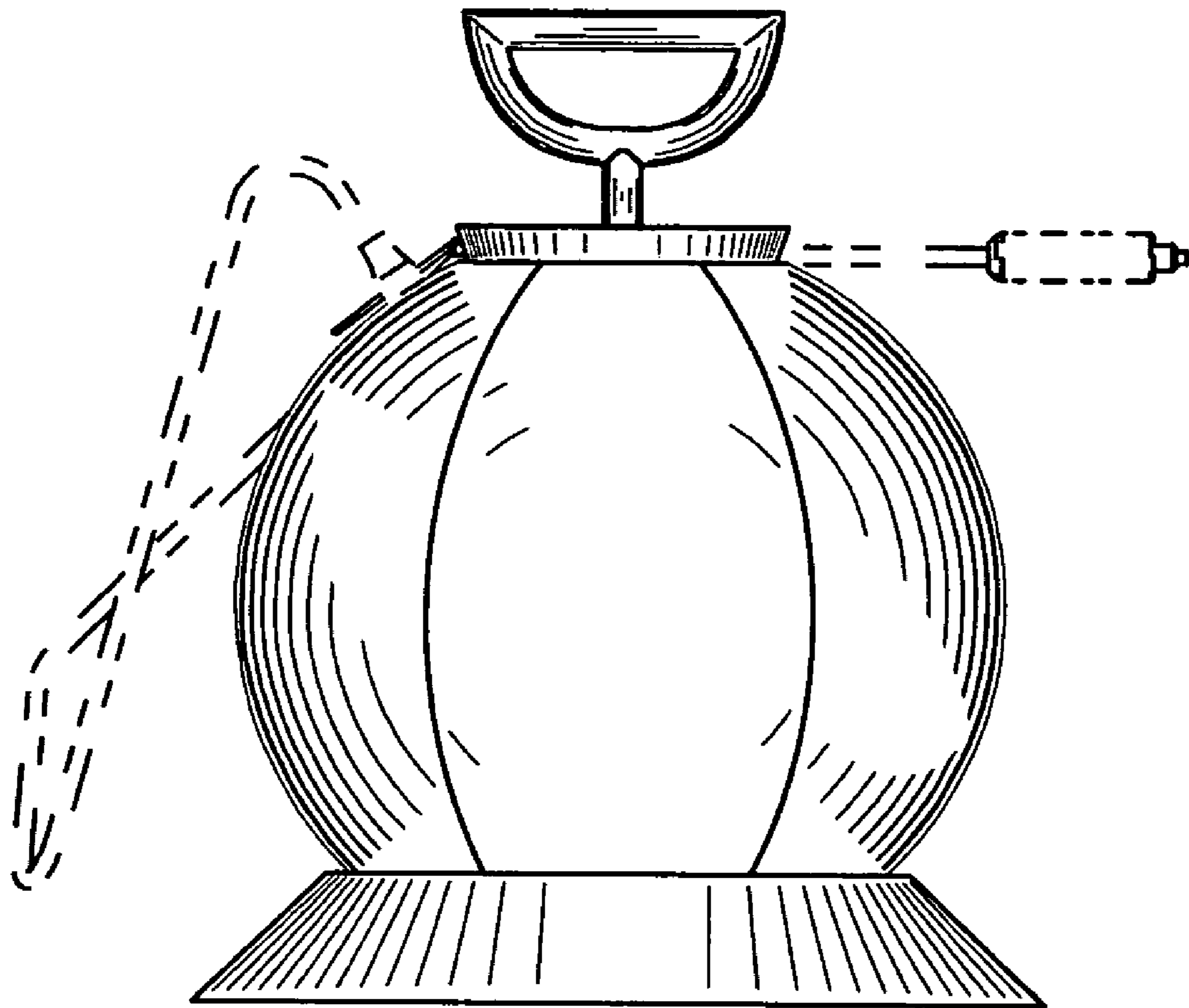


FIG. 8