



US00D558856S

(12) **United States Design Patent**
King

(10) **Patent No.:** **US D558,856 S**

(45) **Date of Patent:** **** Jan. 1, 2008**

(54) **HANGER FOR A LAVATORY DISPENSING DEVICE**

(75) Inventor: **Christopher King**, Montvale, NJ (US)

(73) Assignee: **Reckitt Benckiser Inc.**, Parsippany, NJ (US)

(**) Term: **14 Years**

(21) Appl. No.: **29/256,553**

(22) Filed: **Mar. 22, 2006**

(51) **LOC (8) Cl.** **23-01**

(52) **U.S. Cl.** **D23/208**

(58) **Field of Classification Search** D23/207-208;
4/225.1, 227.1, 223, 231
See application file for complete search history.

(56) **References Cited**

U.S. PATENT DOCUMENTS

4,168,551	A *	9/1979	Hautmann et al.	4/231
4,261,957	A *	4/1981	Schimanski	4/231
D387,848	S *	12/1997	Thompson et al.	D23/208
D419,347	S *	1/2000	Leonard	D23/208
D464,107	S *	10/2002	Holmes et al.	D23/208

D484,566	S *	12/2003	Legeay	D23/208
D500,548	S *	1/2005	Conway et al.	D23/208
D508,549	S *	8/2005	Keramidas	D23/208
D514,661	S *	2/2006	Weller et al.	D23/208
D523,923	S *	6/2006	Nguyen et al.	D23/208

* cited by examiner

Primary Examiner—Robin V Webster

(57) **CLAIM**

The ornamental design for a hanger for a lavatory dispensing device, as shown and described.

DESCRIPTION

FIG. 1 is a perspective view of the top and front of my hanger;

FIG. 2 is a plan view of the rear of my hanger;

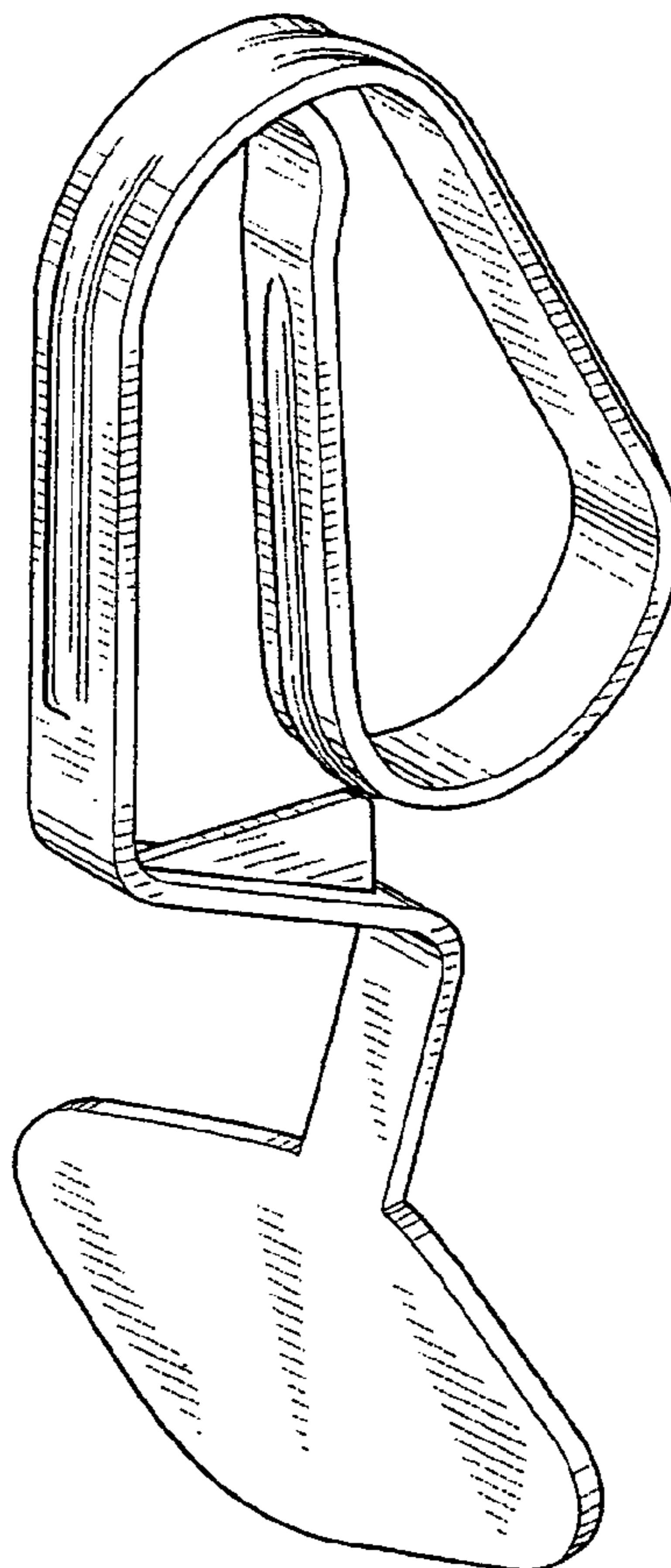
FIG. 3 is a plan view of a side of my hanger; the other side of my hanger which is not depicted in the figures is symmetrical with this side view;

FIG. 4 is a plan view of the top of my hanger;

FIG. 5 is a plan view of the front of my hanger; and,

FIG. 6 is a plan view of the bottom of my hanger.

1 Claim, 3 Drawing Sheets



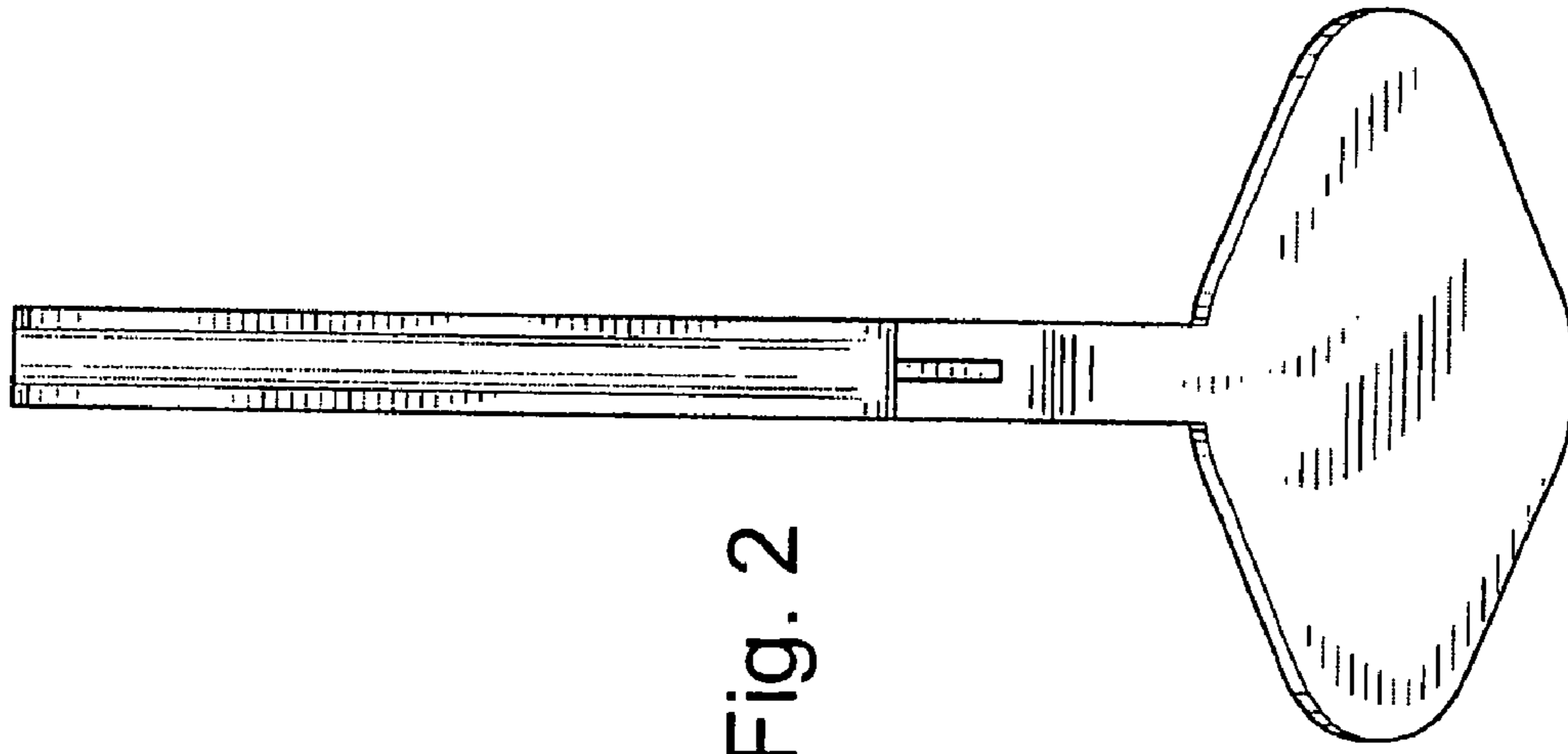


Fig. 2

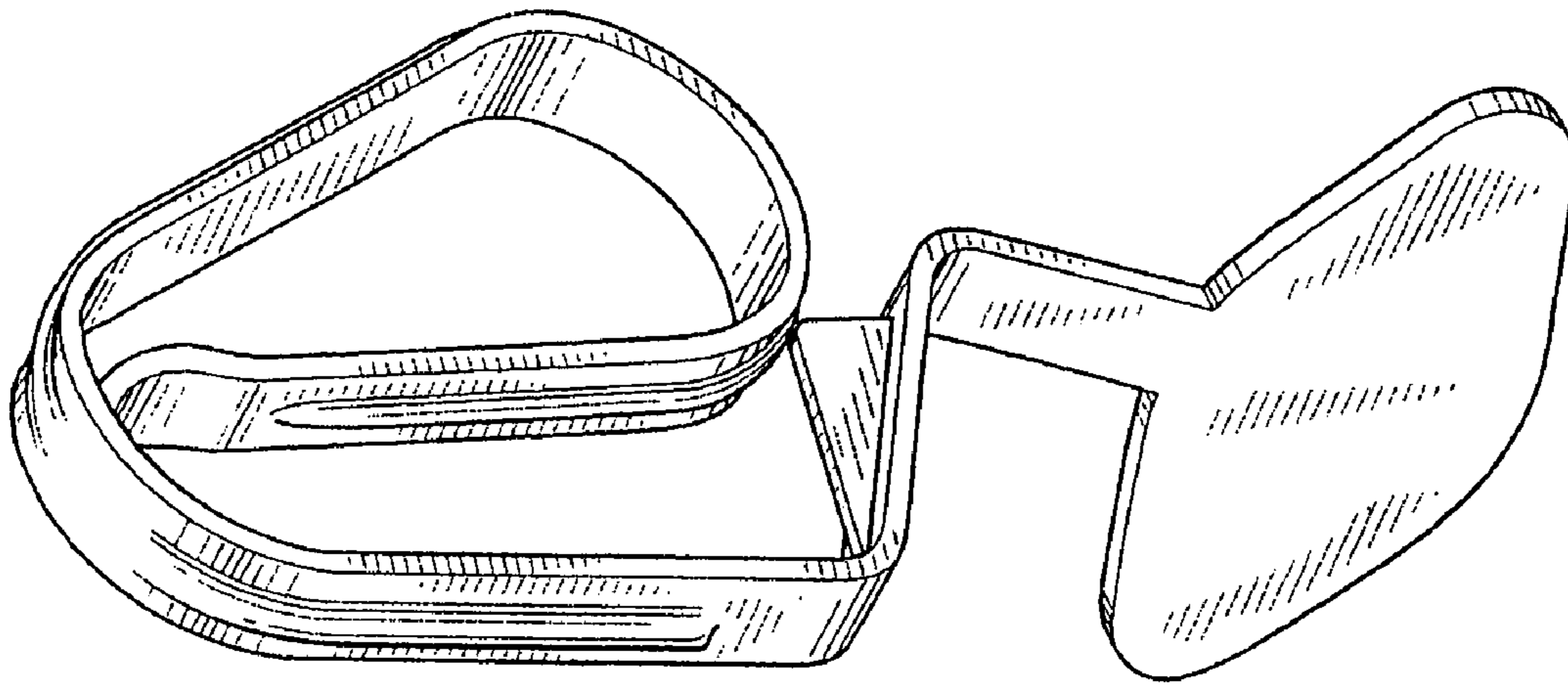


Fig. 1

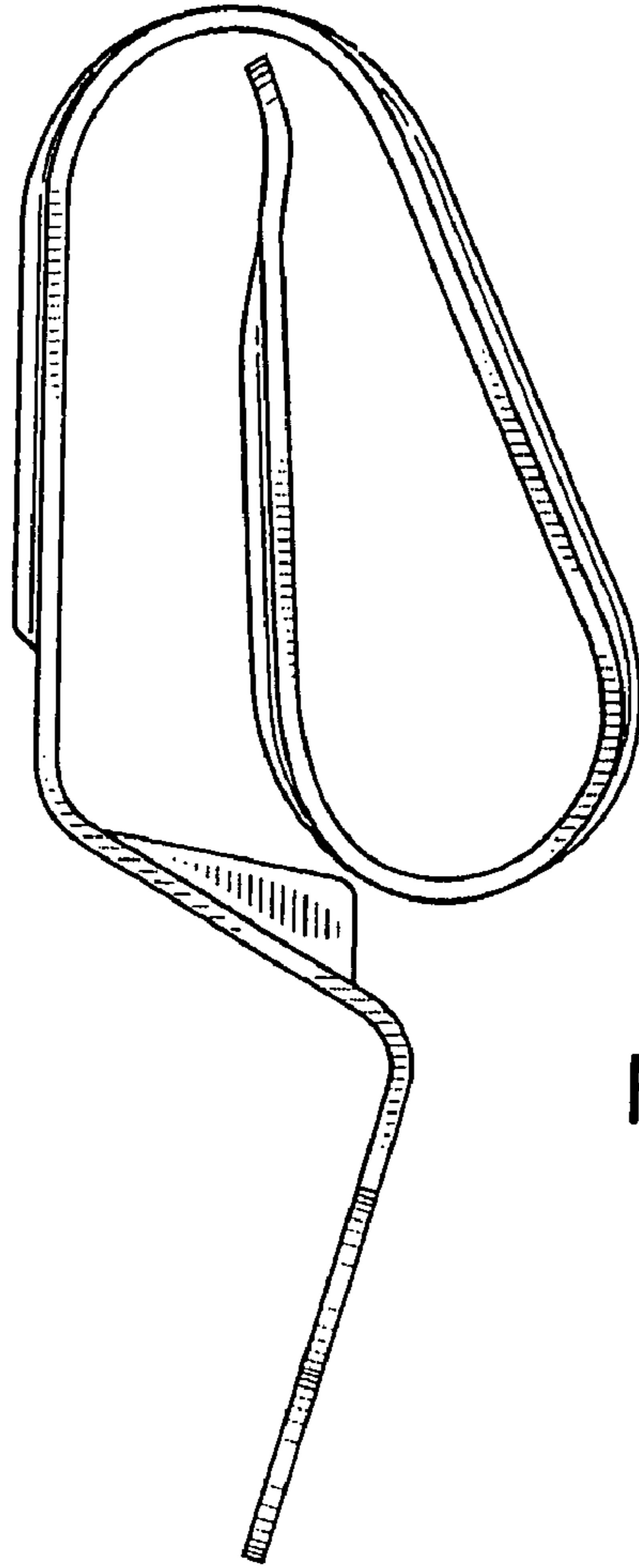


Fig. 3

Fig. 4

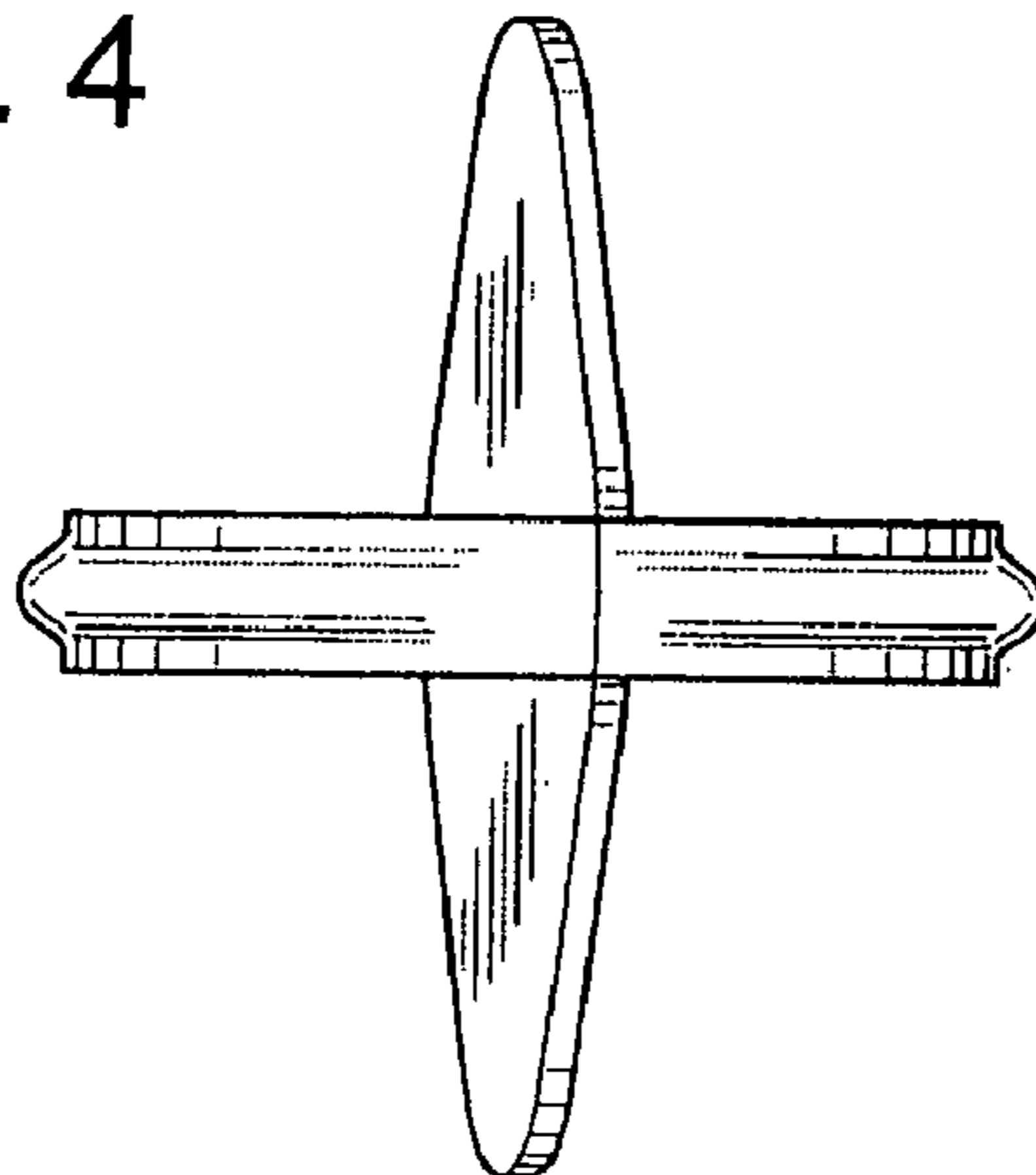


Fig. 5

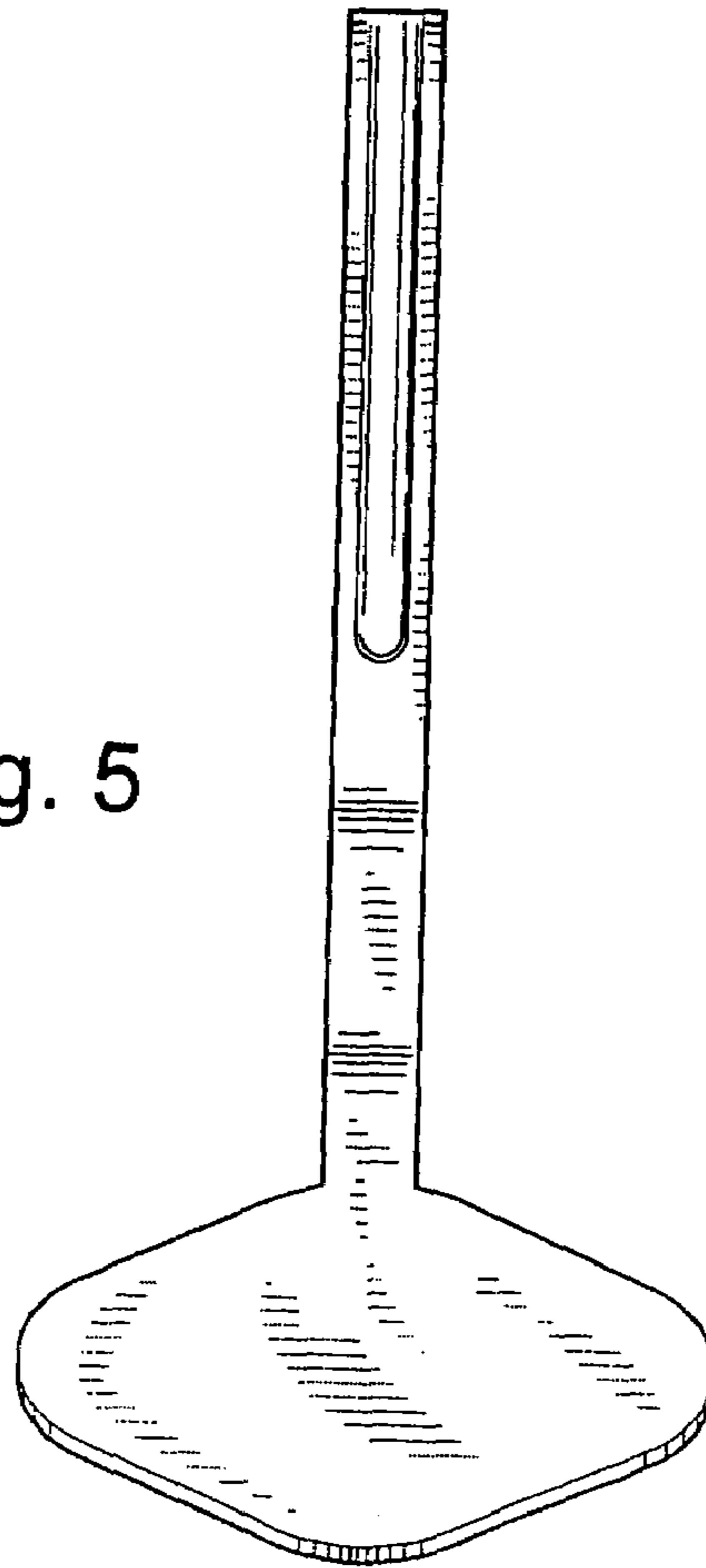


Fig. 6

