



US00D558855S

(12) **United States Design Patent** (10) **Patent No.:** **US D558,855 S**  
**Arora et al.** (45) **Date of Patent:** **\*\* \*Jan. 1, 2008**

(54) **CAGELESS LAVATORY DISPENSING DEVICE**

(75) Inventors: **Nevin Arora**, Denver, CO (US); **Diane Joyce Burt**, New Windsor, NY (US)

(73) Assignee: **Reckitt Benckiser Inc.**, Parsippany, NJ (US)

(\*) Notice: This patent is subject to a terminal disclaimer.

(\*\*) Term: **14 Years**

(21) Appl. No.: **29/246,839**

(22) Filed: **May 15, 2006**

(51) **LOC (8) Cl.** ..... **23-01**

(52) **U.S. Cl.** ..... **D23/208**

(58) **Field of Classification Search** ..... D23/208;  
4/223, 225.1, 227.1, 231  
See application file for complete search history.

(56) **References Cited**

U.S. PATENT DOCUMENTS

4,203,172	A *	5/1980	Goncalves	.....	4/231
D273,607	S *	4/1984	Joyaux et al.	.....	D23/208
D307,934	S *	5/1990	Verebelyi	.....	D23/208
D387,848	S *	12/1997	Thompson et al.	.....	D23/208
6,505,356	B1 *	1/2003	Leonard et al.	.....	4/231
6,934,973	B2 *	8/2005	Lehmann et al.	.....	4/231

\* cited by examiner

Primary Examiner—Robin V Webster

(57) **CLAIM**

The ornamental design for a cageless lavatory dispensing device, as shown and described.

**DESCRIPTION**

FIG. 1 is a perspective view of the top and front of a first embodiment of our device;

FIG. 2 is a plan view of the front of a first embodiment of our device;

FIG. 3 is a plan view of a side of a first embodiment of our device; the other side of a first embodiment of our device which is not depicted in the figures is symmetrical with this side view;

FIG. 4 is a plan view of the back of a first embodiment of our device;

FIG. 5 is a plan view of the bottom of a first embodiment of our device;

FIG. 6 is a plan view of the top of a first embodiment of our device;

FIG. 7 is a perspective view of the top and front of a second embodiment of our device;

FIG. 8 is a plan view of the front of a second embodiment of our device;

FIG. 9 is a plan view of a side of a second embodiment of our device; the other side of a second embodiment of our device which is not depicted in the figures is symmetrical with this side view;

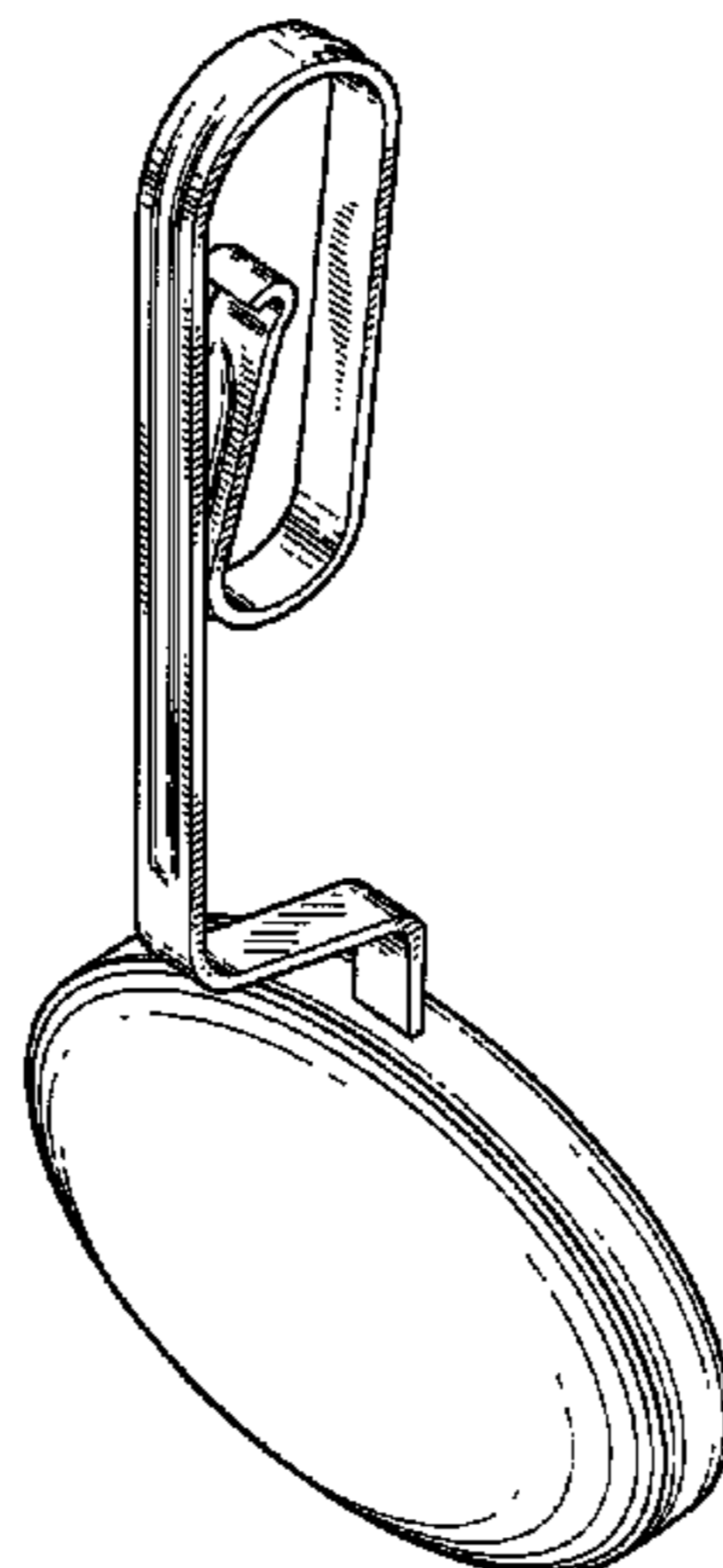
FIG. 10 is a plan view of the front of a second embodiment of our device;

FIG. 11 is a plan view of the bottom of a second embodiment of our device; and,

FIG. 12 is a plan view of the top of a second embodiment of our device.

The hangar is shown fragmented in FIGS. 7–11 to indicate indeterminate length.

**1 Claim, 4 Drawing Sheets**



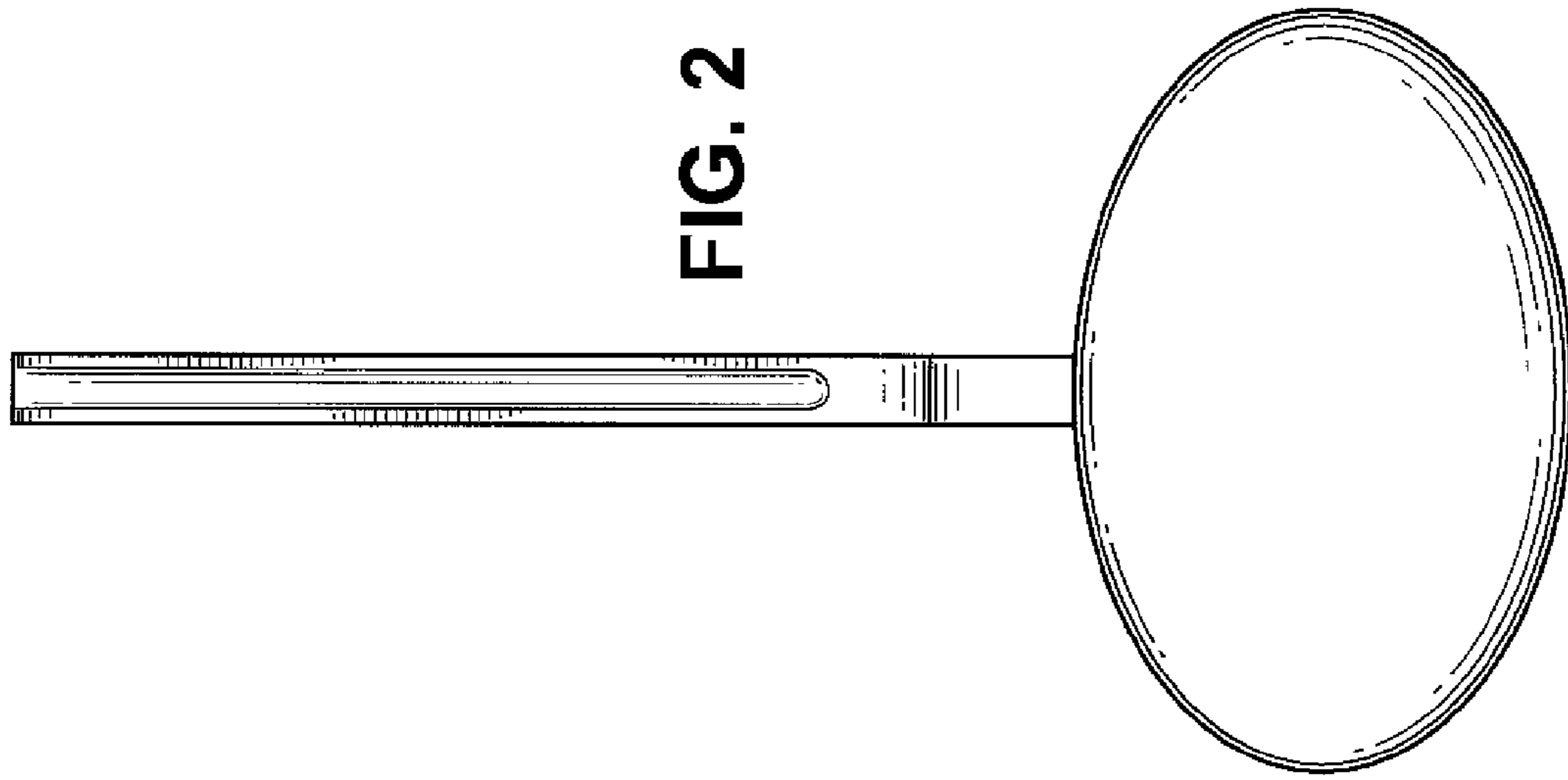


FIG. 2

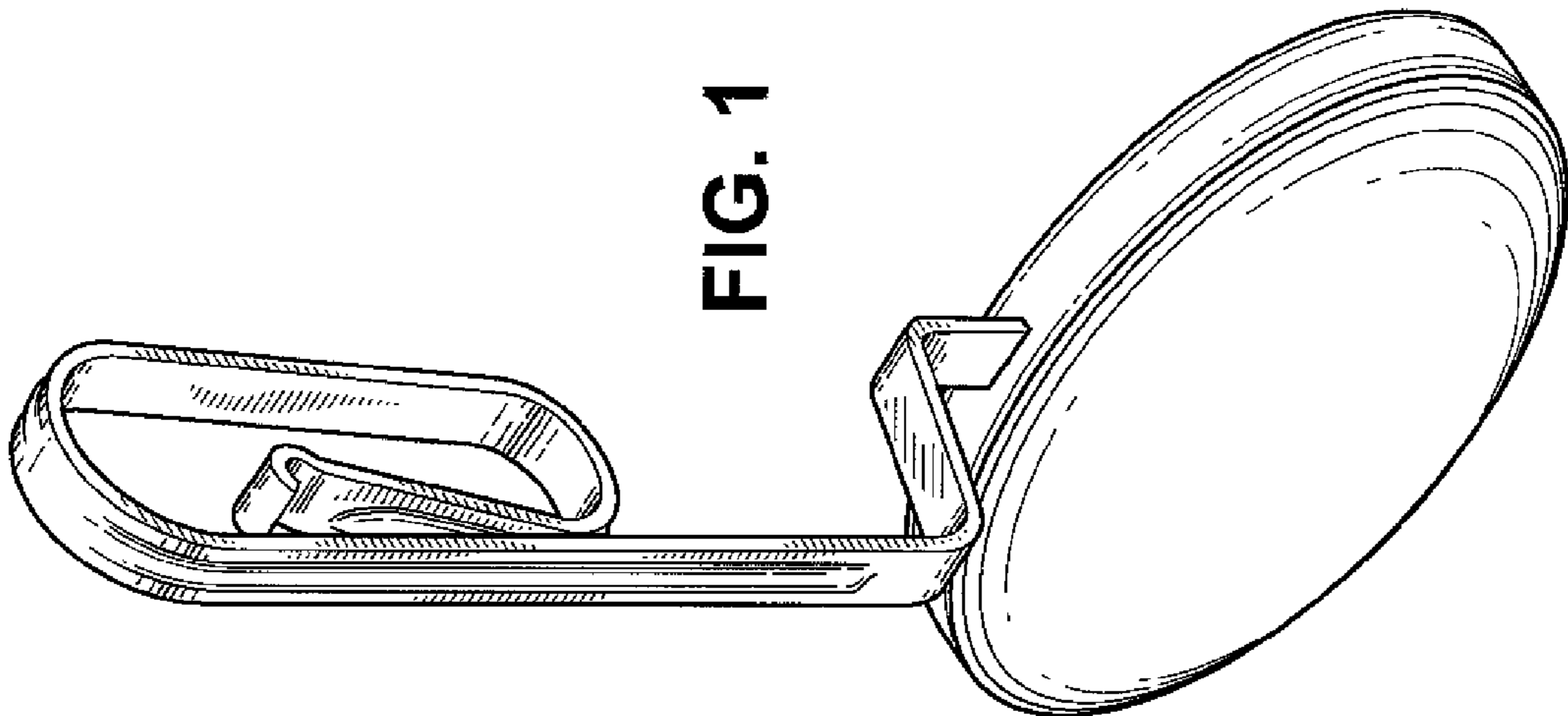
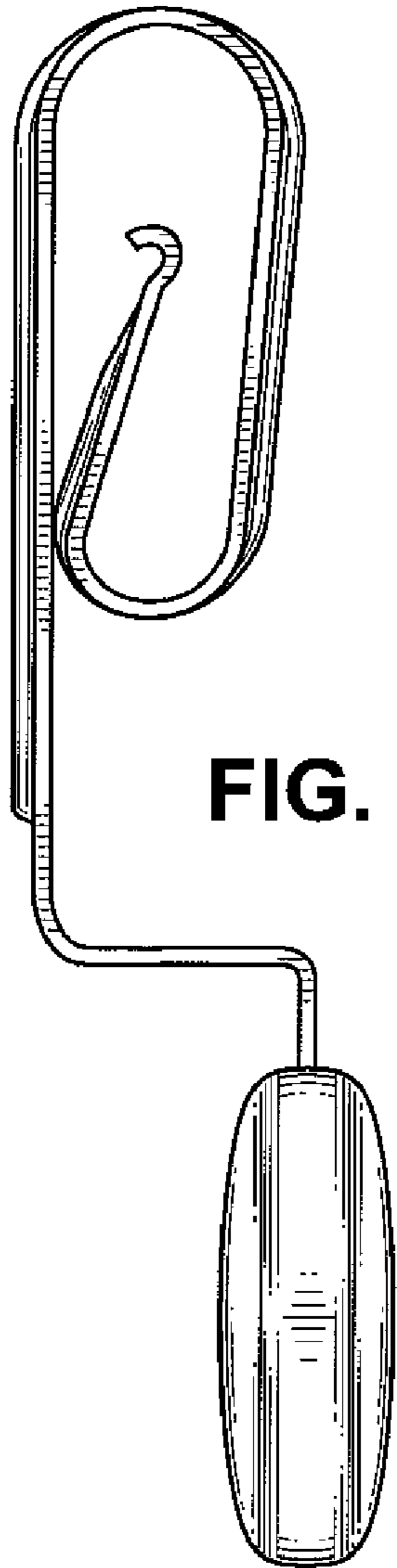
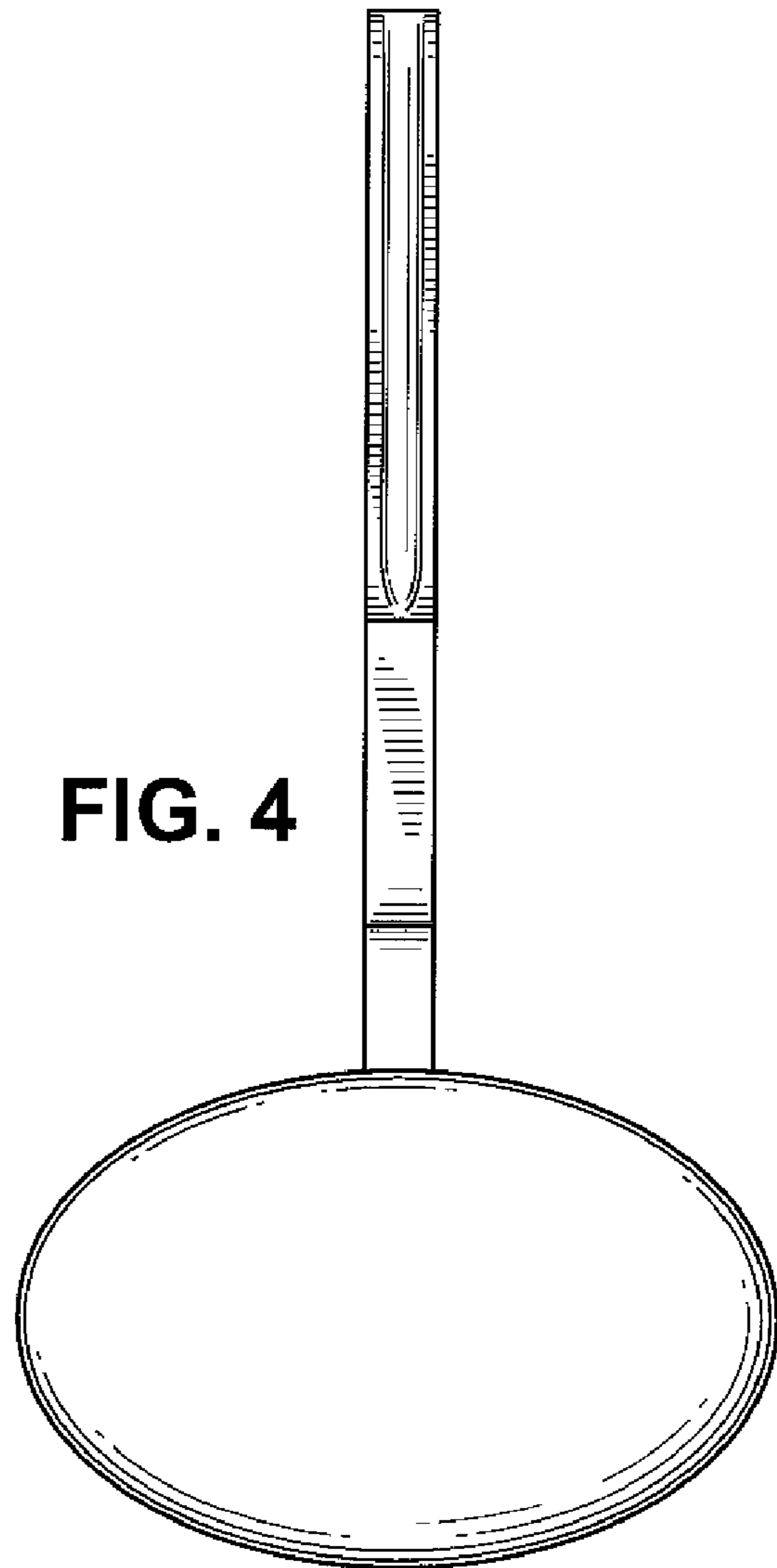


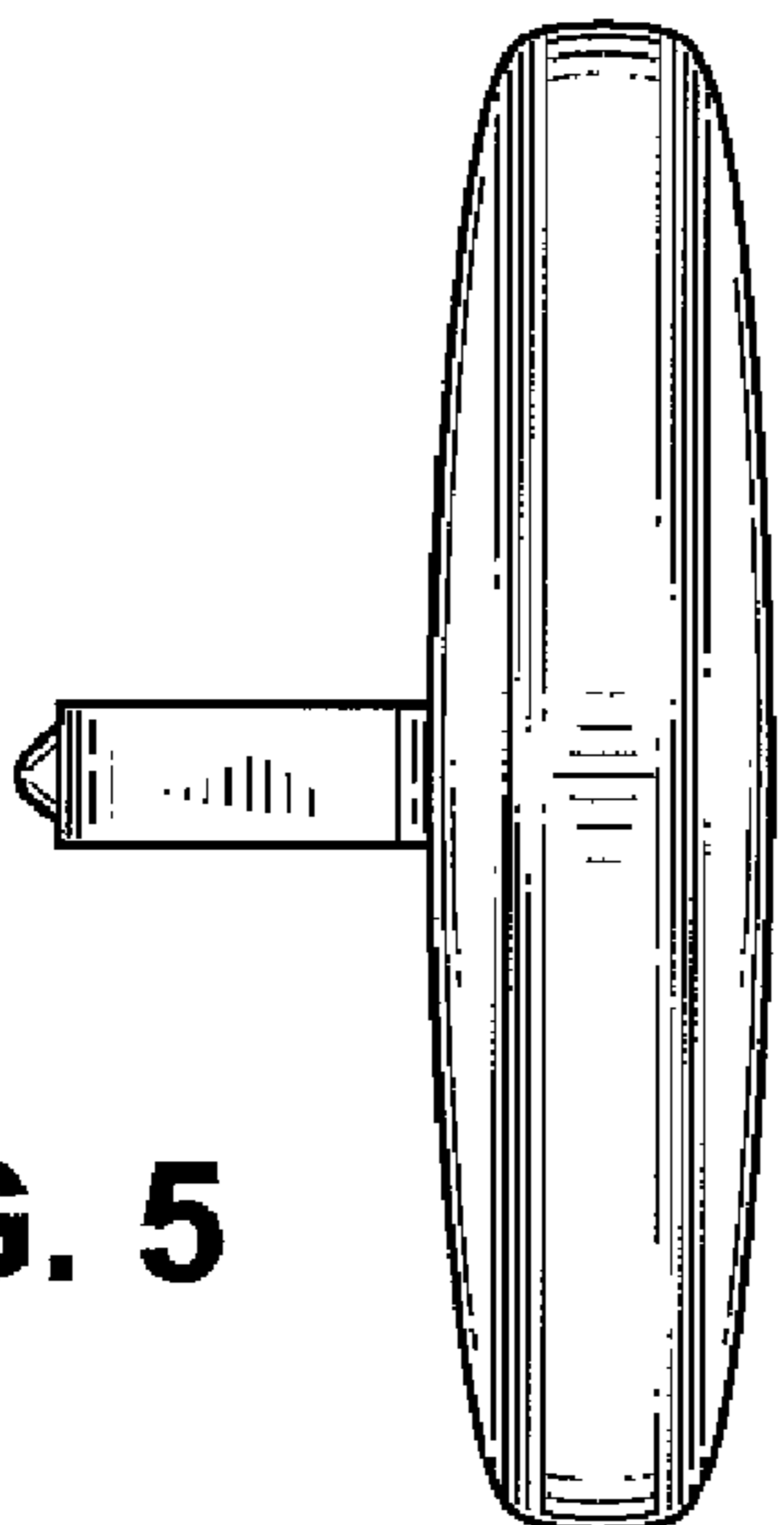
FIG. 1



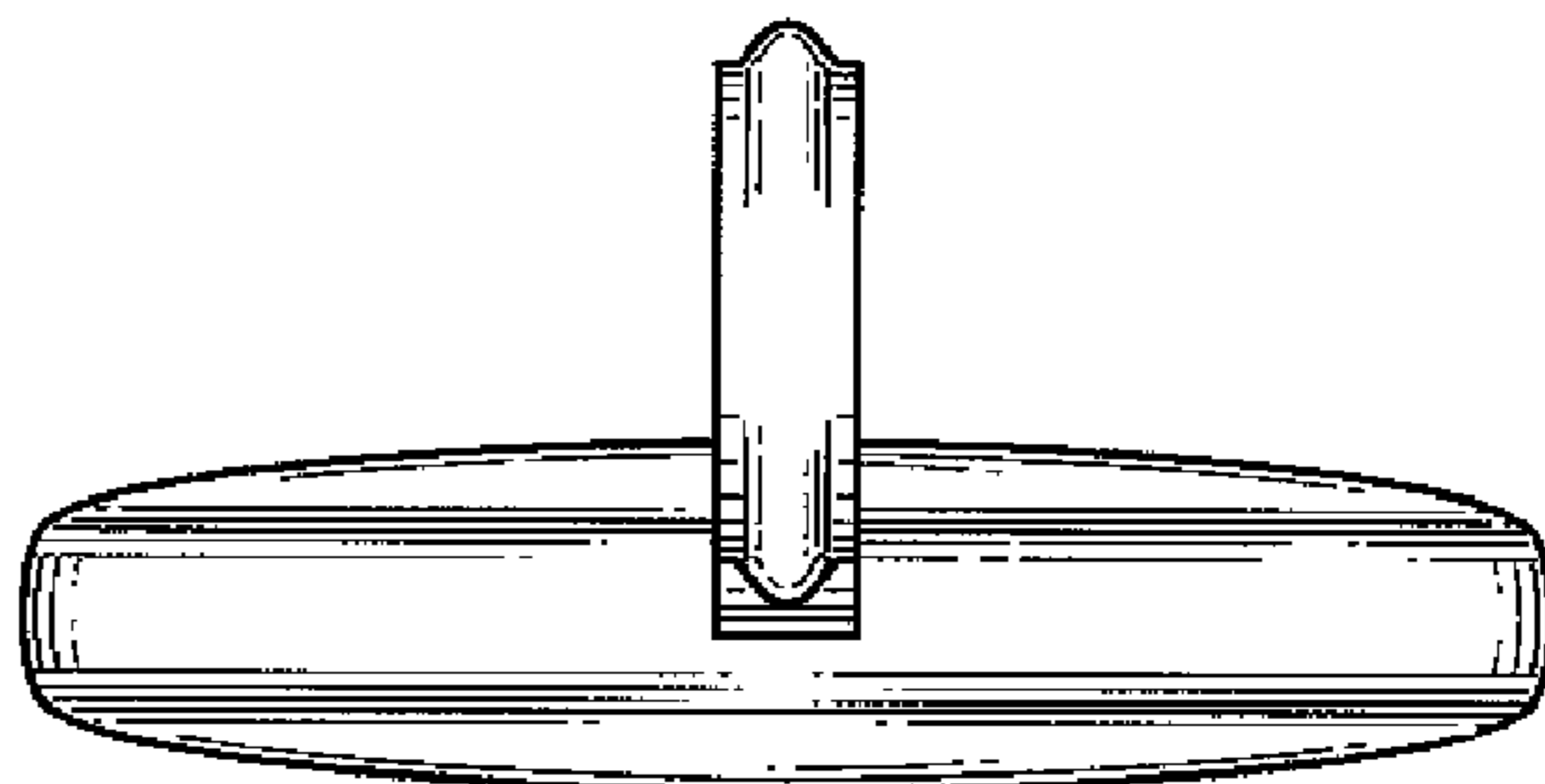
**FIG. 3**



**FIG. 4**



**FIG. 5**



**FIG. 6**

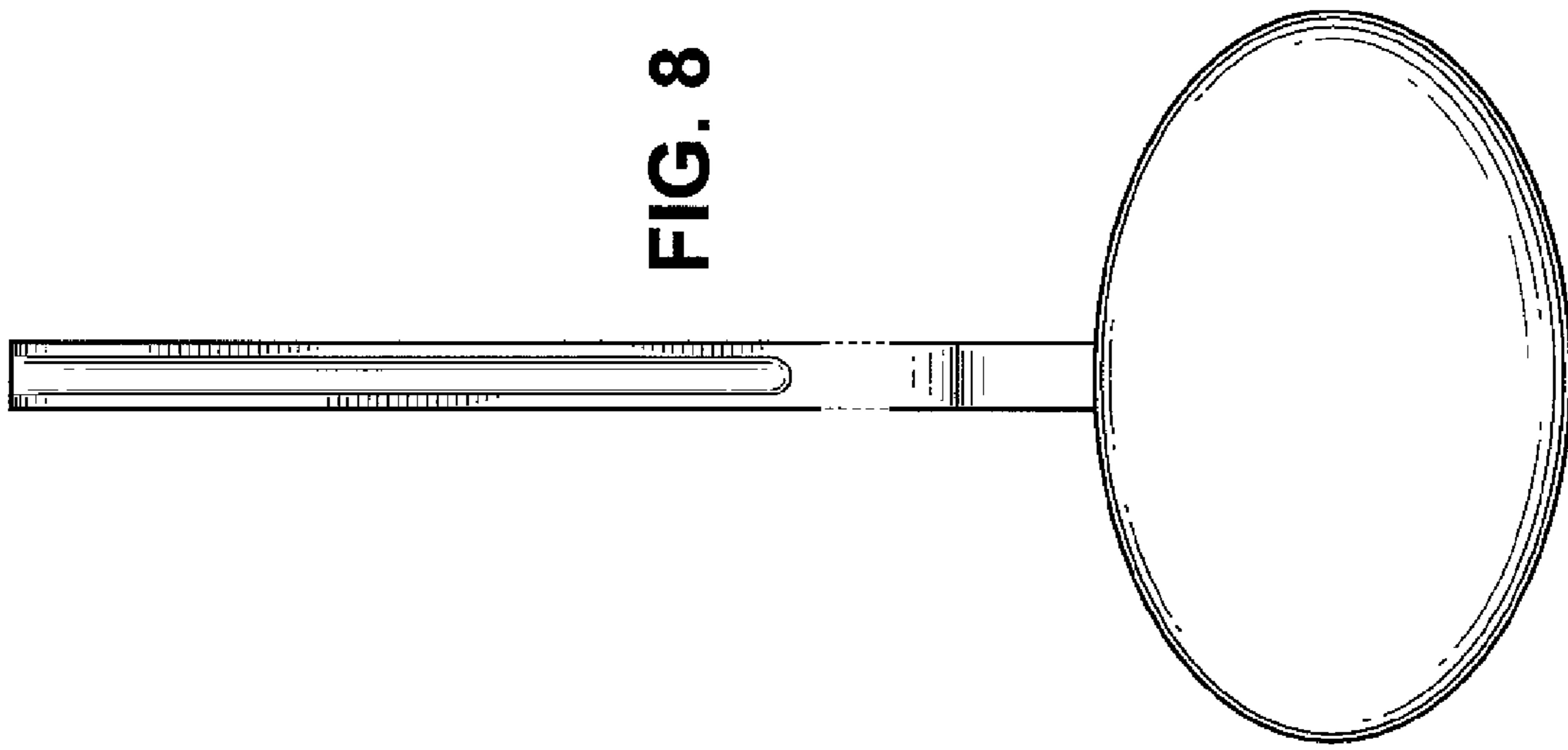


FIG. 8

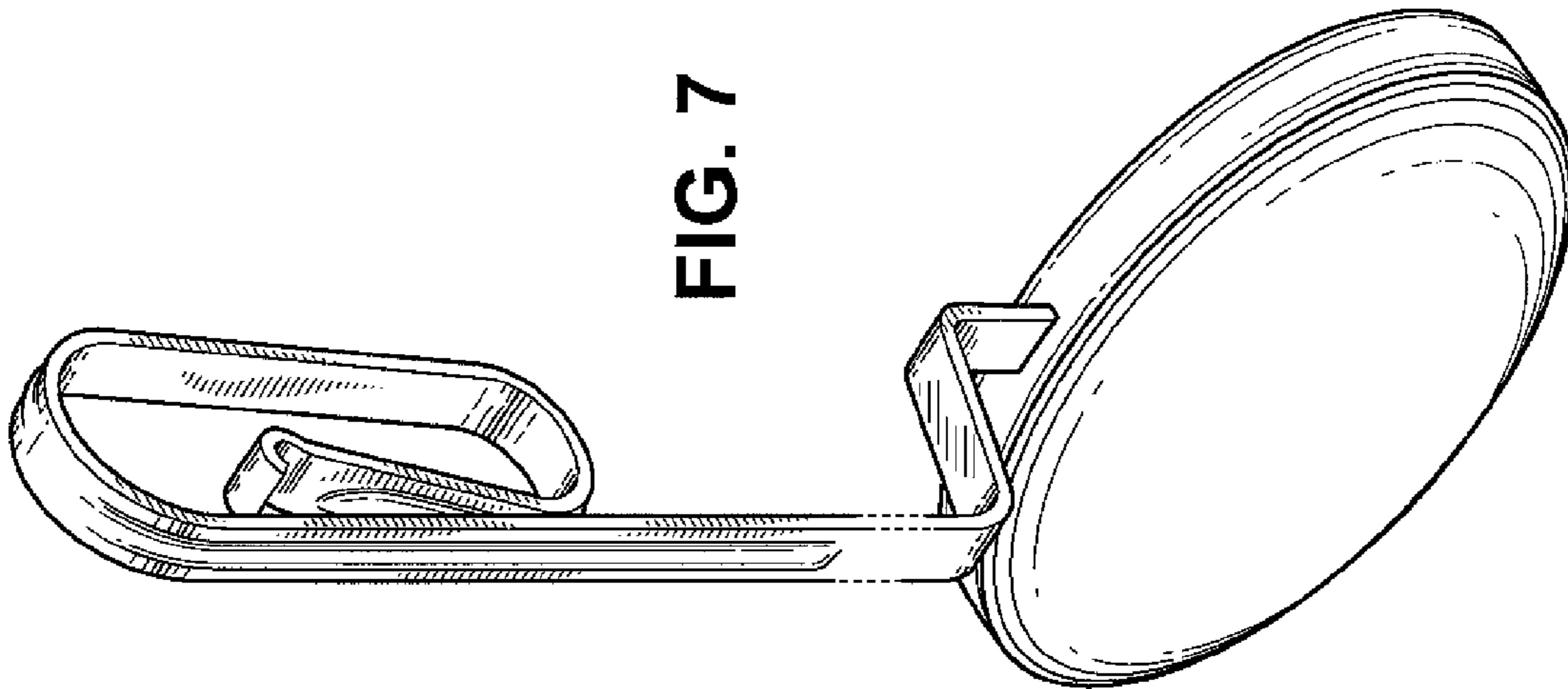
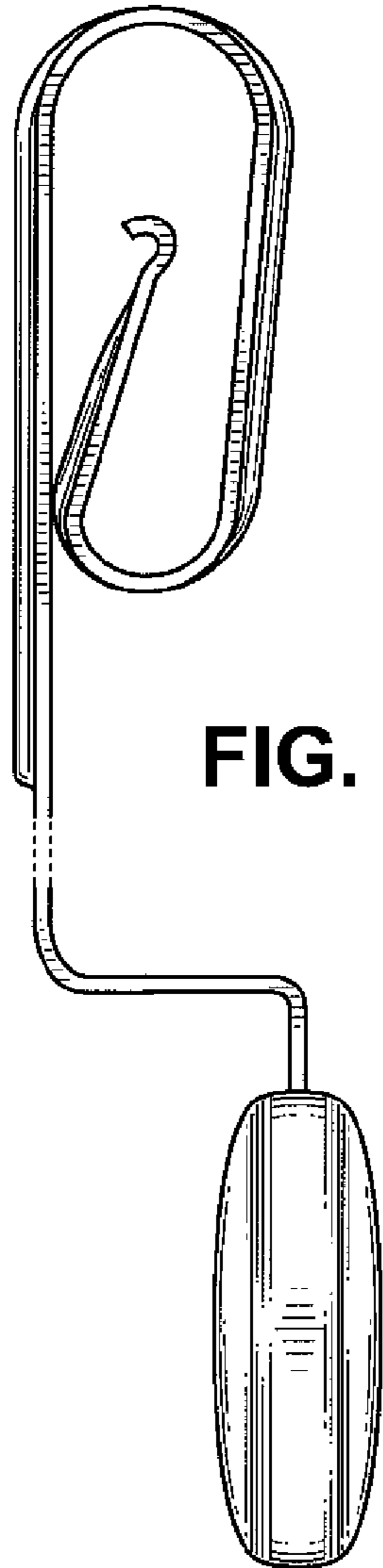
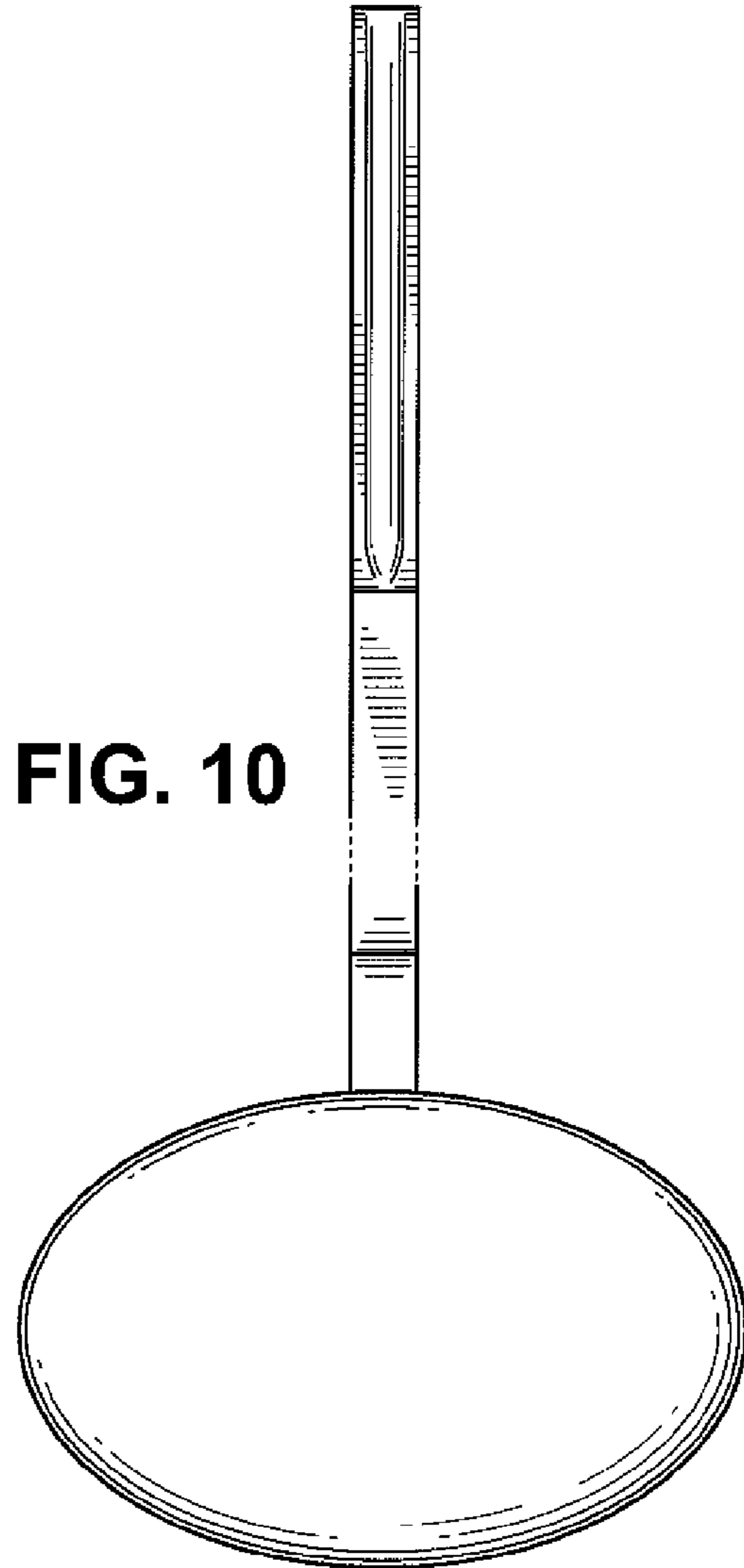


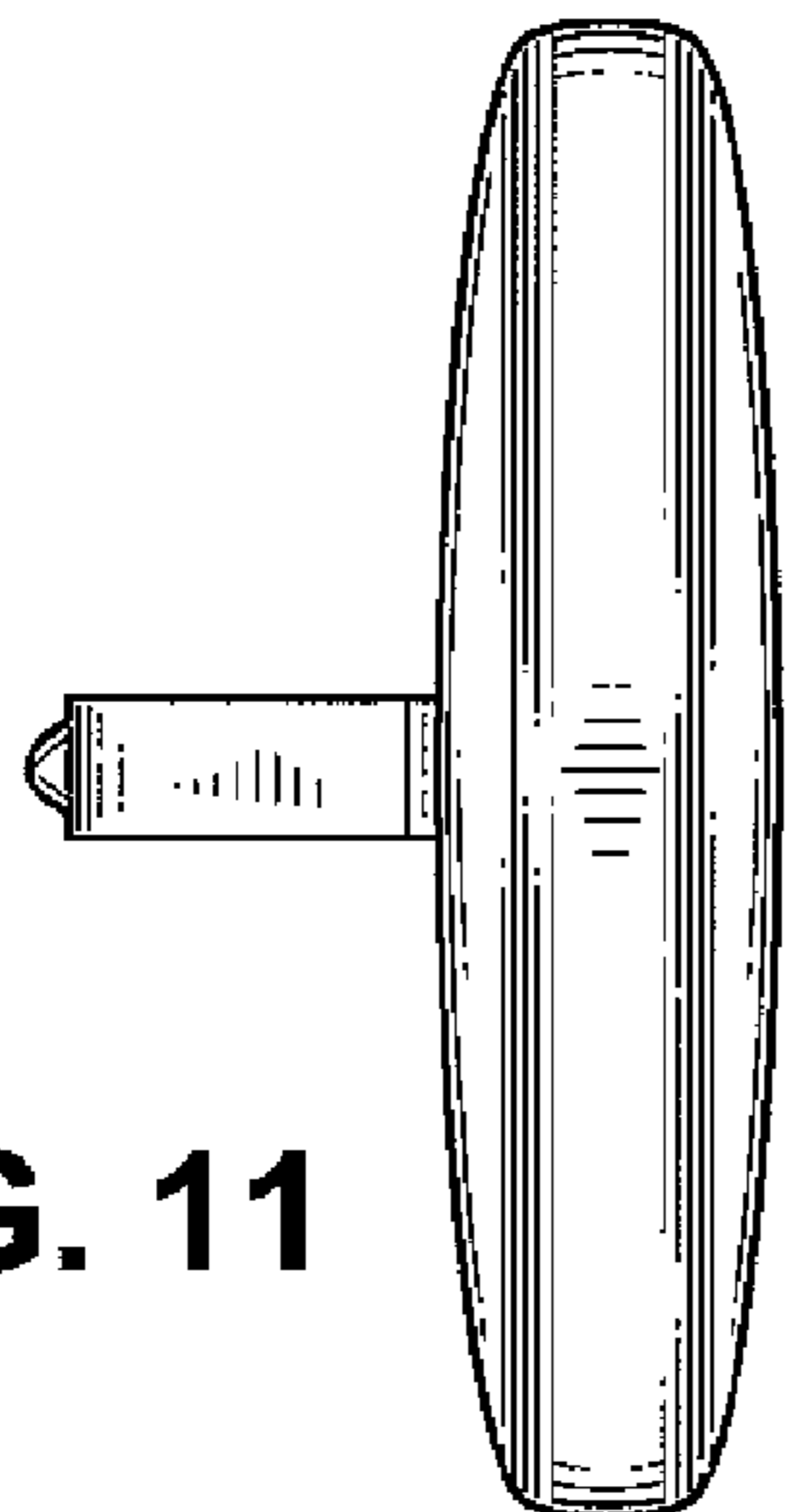
FIG. 7



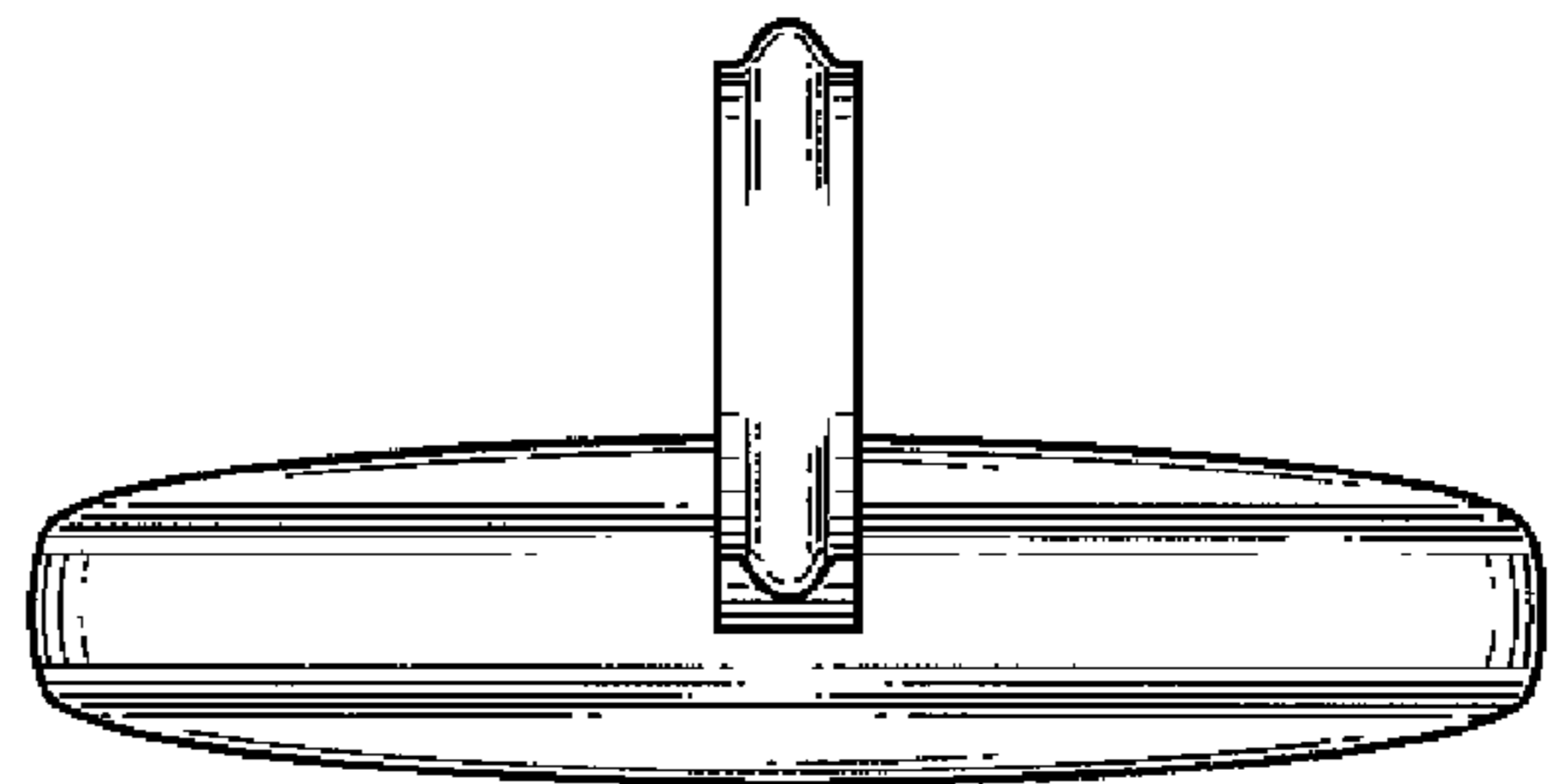
**FIG. 9**



**FIG. 10**



**FIG. 11**



**FIG. 12**