



US00D558854S

(12) **United States Design Patent**  
**Burt**

(10) **Patent No.:** **US D558,854 S**  
(45) **Date of Patent:** **\*\* Jan. 1, 2008**

(54) **HANGER FOR A LAVATORY DISPENSING DEVICE**

(75) Inventor: **Diane Joyce Burt**, New Windsor, NY (US)

(73) Assignee: **Reckitt Benckiser Inc.**, Parsippany, NJ (US)

(\*\*) Term: **14 Years**

(21) Appl. No.: **29/246,838**

(22) Filed: **May 15, 2006**

(51) **LOC (8) Cl.** ..... **23-01**

(52) **U.S. Cl.** ..... **D23/208**

(58) **Field of Classification Search** ..... D23/207,  
D23/208; 4/231, 223, 225.1, 227.1  
See application file for complete search history.

(56) **References Cited**

U.S. PATENT DOCUMENTS

4,203,172	A *	5/1980	Goncalves	.....	4/231
D273,607	S *	4/1984	Joyaux et al.	.....	D23/208
D307,934	S *	5/1990	Verebelyi	.....	D23/208
D387,848	S *	12/1997	Thompson et al.	.....	D23/208
6,505,356	B1 *	1/2003	Leonard et al.	.....	4/231
6,934,973	B2 *	8/2005	Lehmann et al.	.....	4/231

\* cited by examiner

*Primary Examiner*—Robin V Webster

(57) **CLAIM**

The ornamental design for a hanger for a lavatory dispensing device, as shown and described.

**DESCRIPTION**

FIG. 1 is a perspective view of the top and front of a first embodiment of my hanger;

FIG. 2 is a plan view of the front of a first embodiment of my hanger;

FIG. 3 is a plan view of a side of a first embodiment of my hanger; the other side of a first embodiment of my hanger which is not depicted in the figures is symmetrical with this side view;

FIG. 4 is a plan view of the back of a first embodiment of my hanger;

FIG. 5 is a plan view of the bottom of a first embodiment of my hanger;

FIG. 6 is a plan view of the top of a first embodiment of my hanger;

FIG. 7 is a perspective view of the top and front of a first embodiment of my hanger further illustrating in phantom a lavatory block;

FIG. 8 is a perspective view of the top and front of a second embodiment of my hanger;

FIG. 9 is a plan view of the front of a second embodiment of my hanger;

FIG. 10 is a plan view of a side of a second embodiment of my hanger; the other side of a second embodiment of my hanger which is not depicted in the figures is symmetrical with this side view;

FIG. 11 is a plan view of the back of a second embodiment of my hanger;

FIG. 12 is a plan view of the bottom of a second embodiment of my hanger;

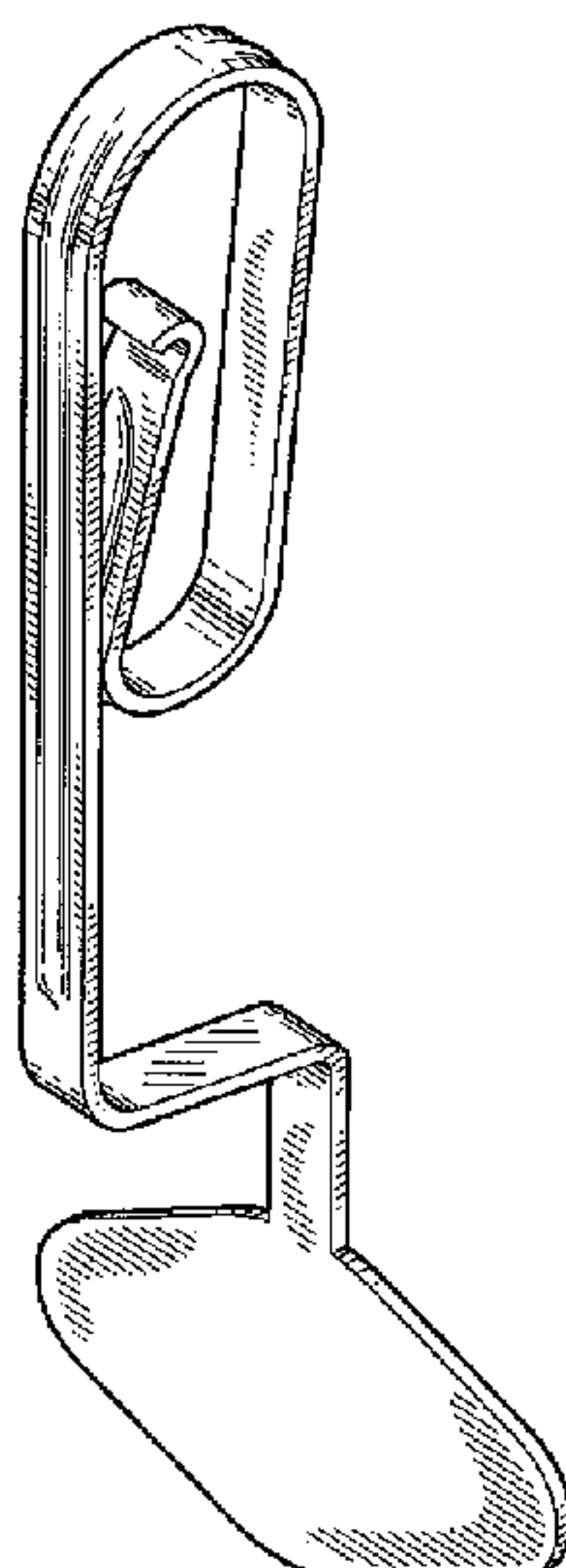
FIG. 13 is a plan view of the top of a second embodiment of my hanger; and,

FIG. 14 is a perspective view of the top and front of a second embodiment of my hanger further illustrating in phantom a lavatory block.

The broken line showing is included for the purpose of illustrating and forms no part of the claimed design.

The hangar portion is shown fragmented in FIGS. 8–14 to indicate indeterminate length.

**1 Claim, 5 Drawing Sheets**



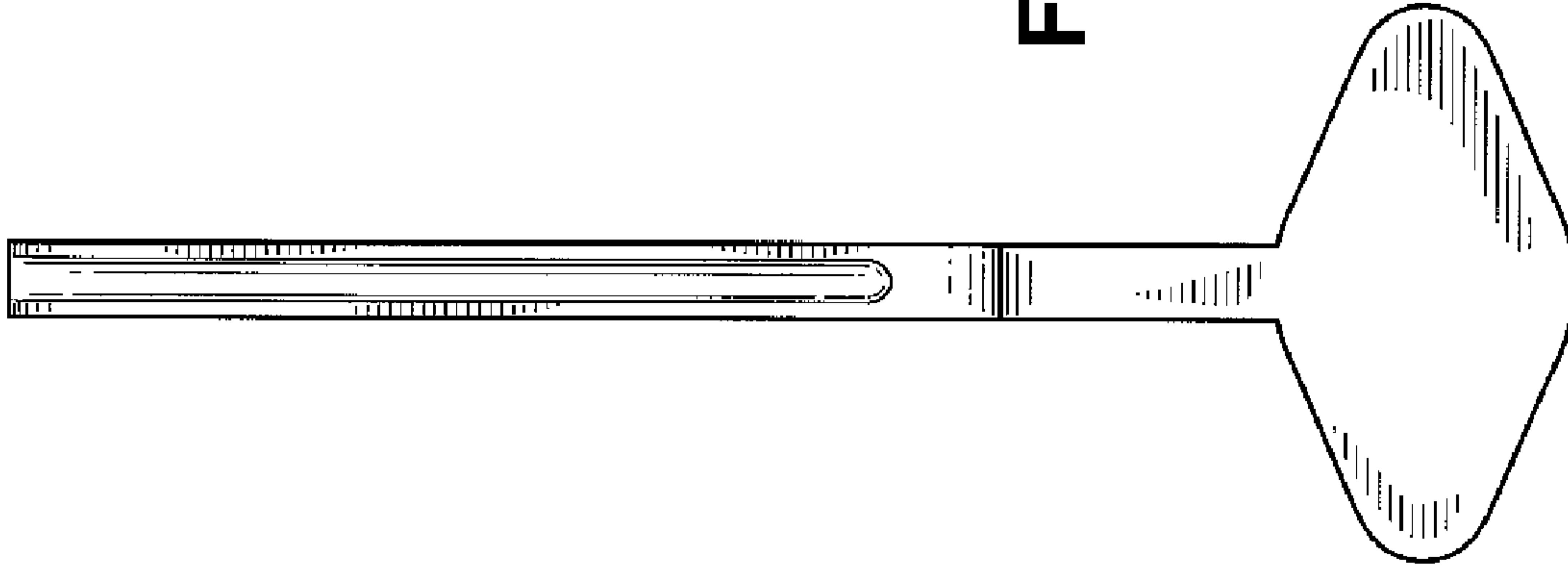


FIG. 2

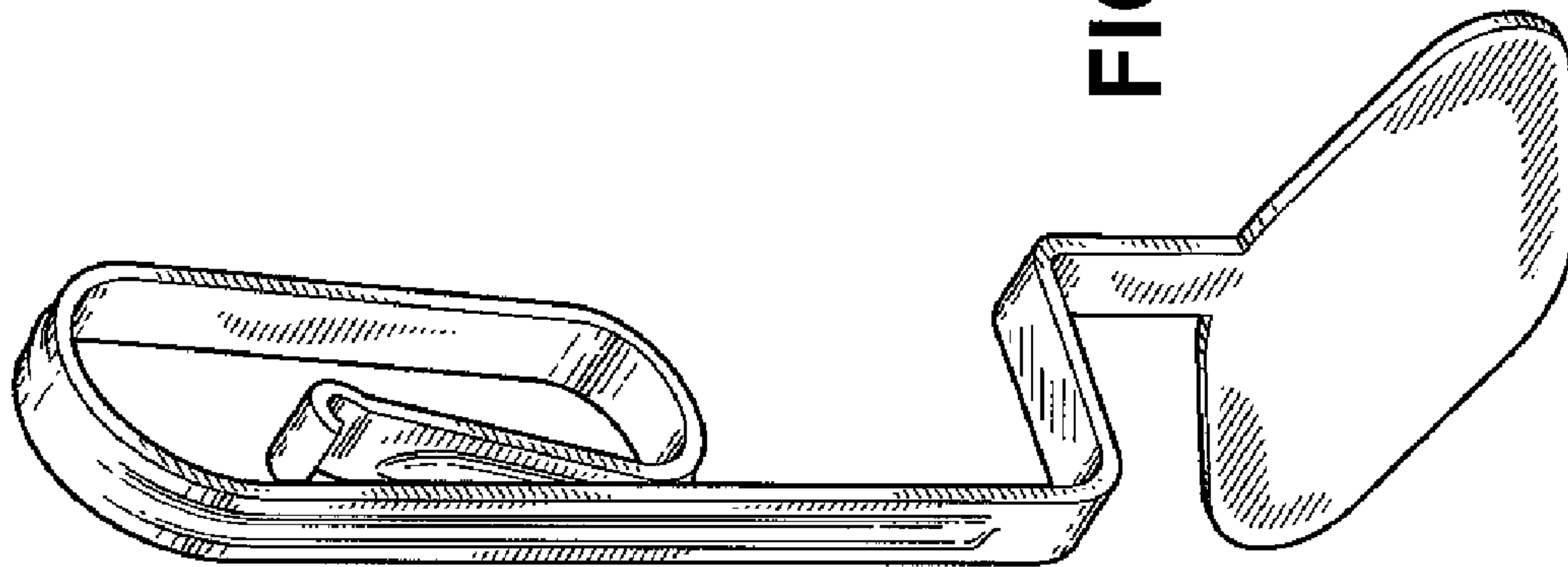
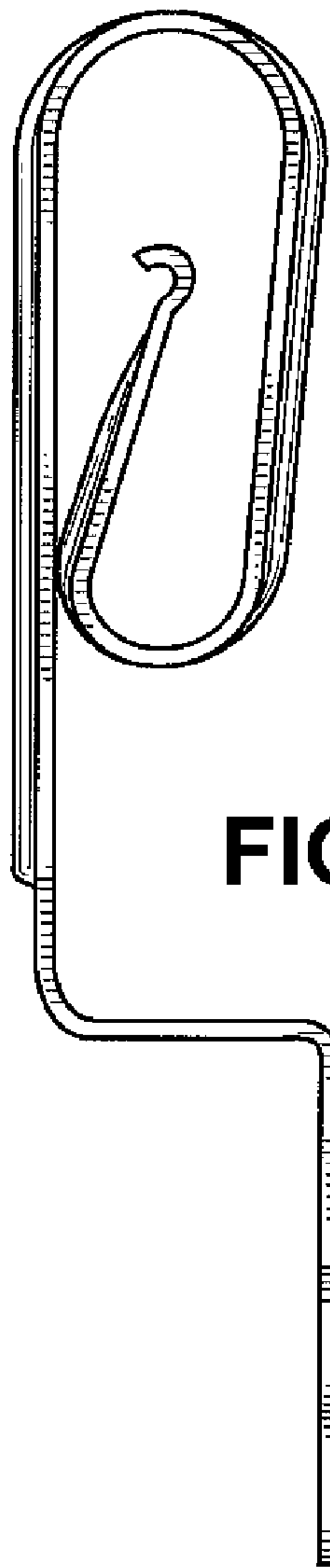
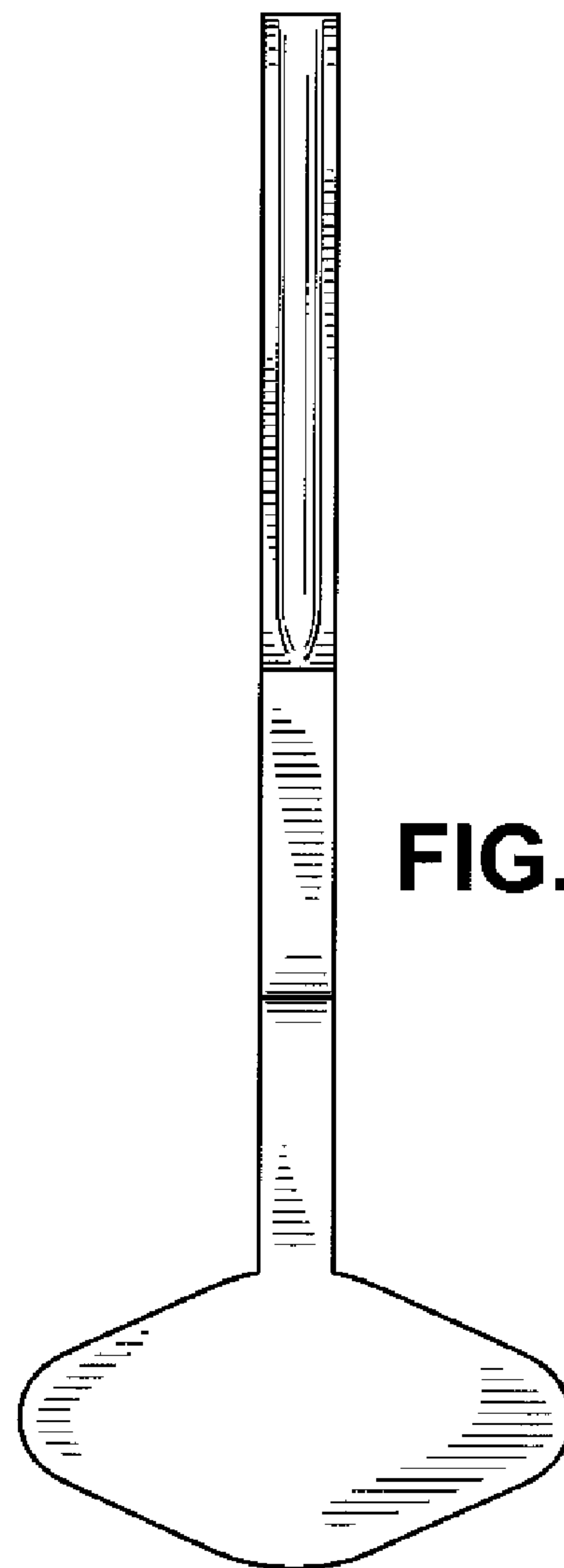


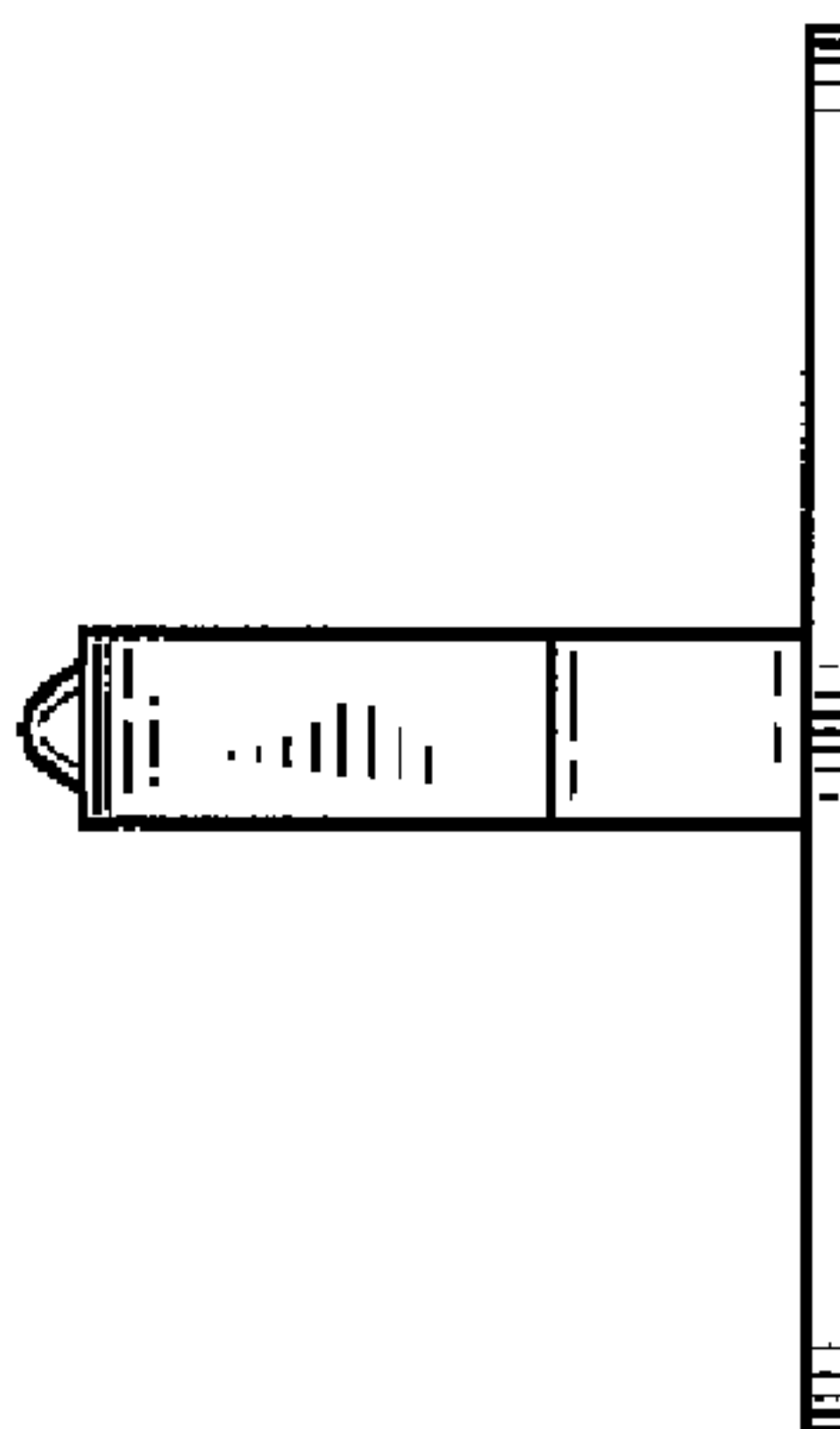
FIG. 1



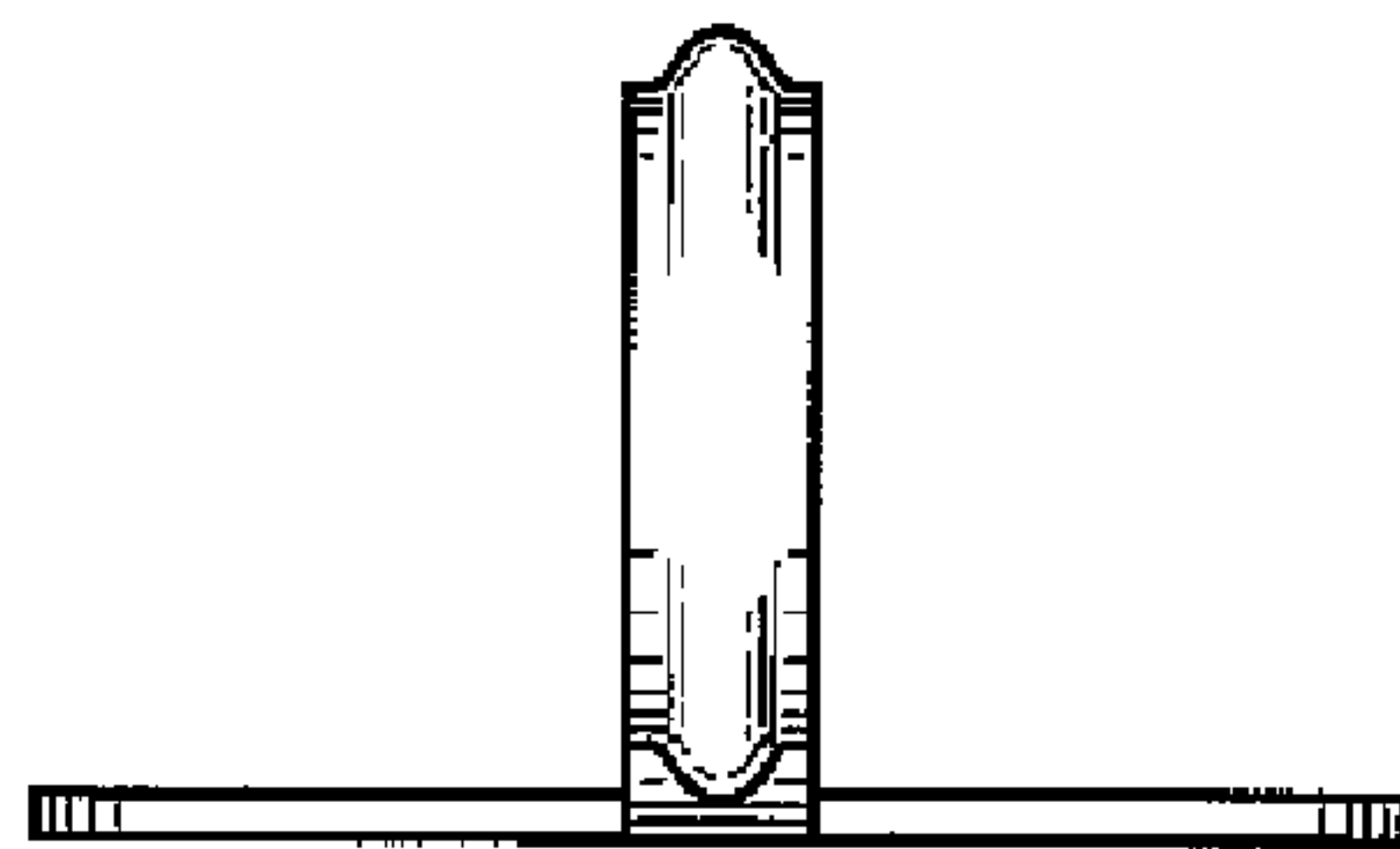
**FIG. 3**



**FIG. 4**



**FIG. 5**



**FIG. 6**

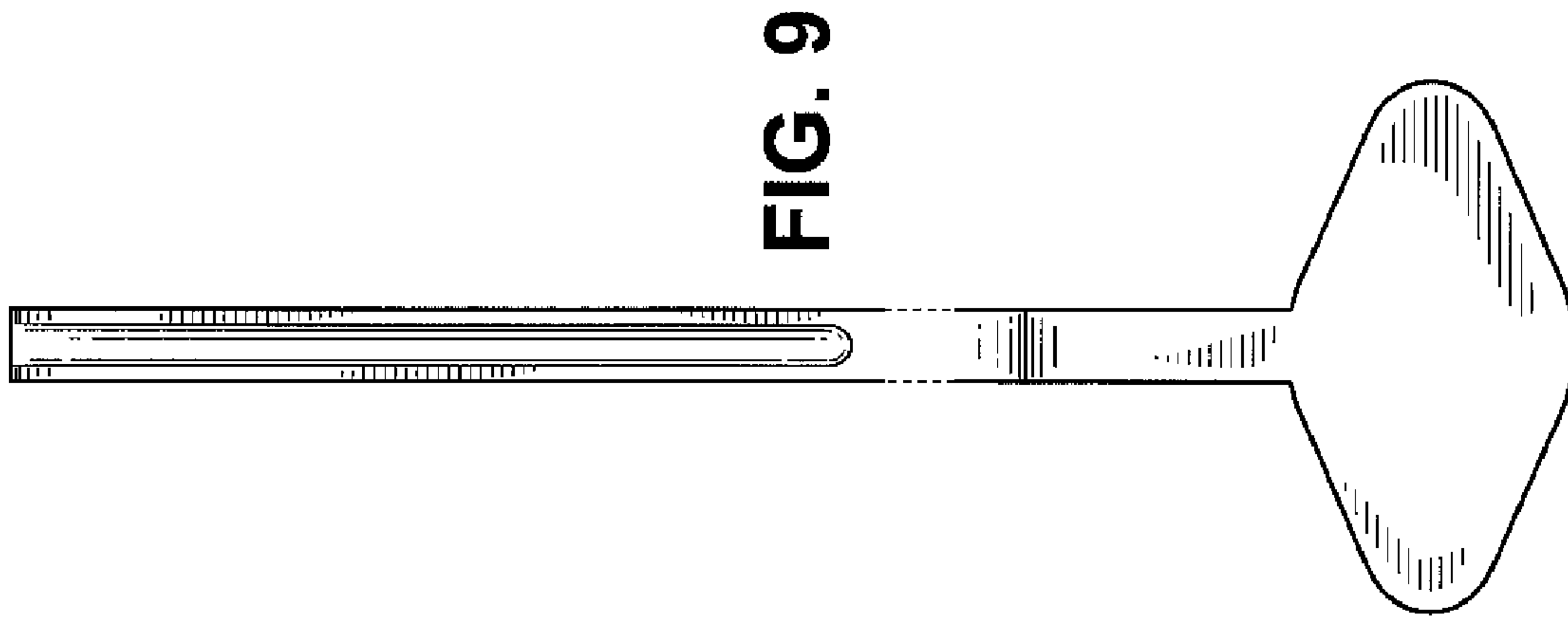


FIG. 9

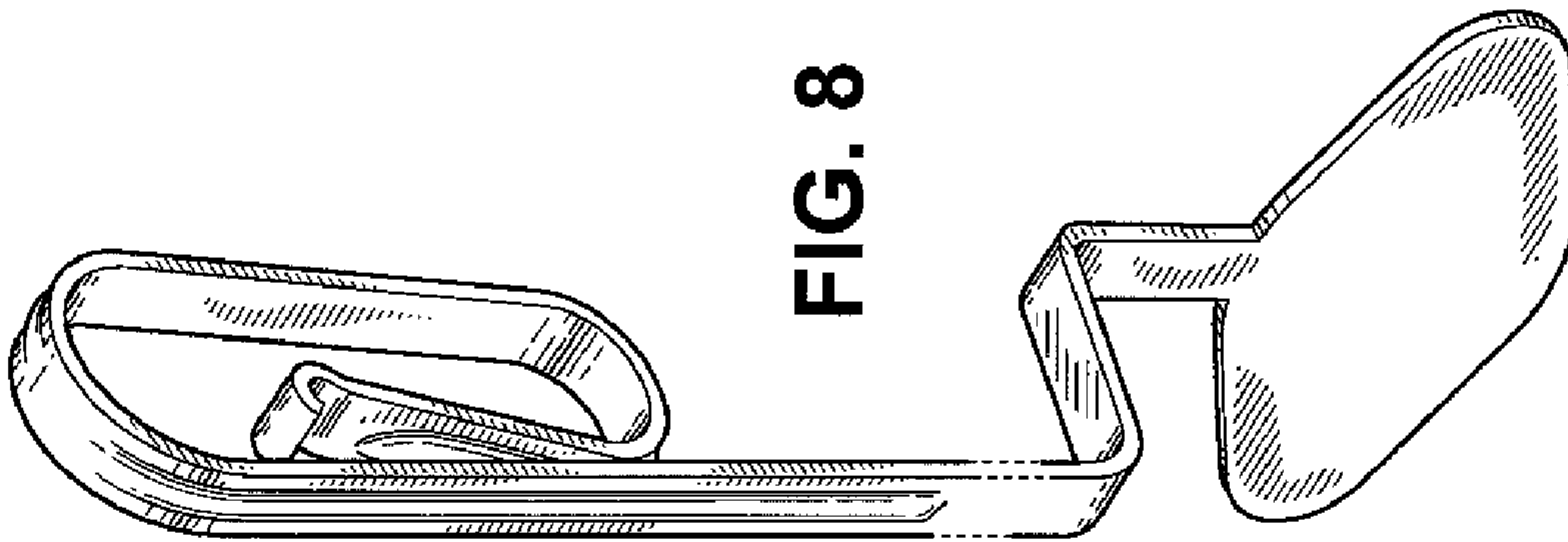


FIG. 8

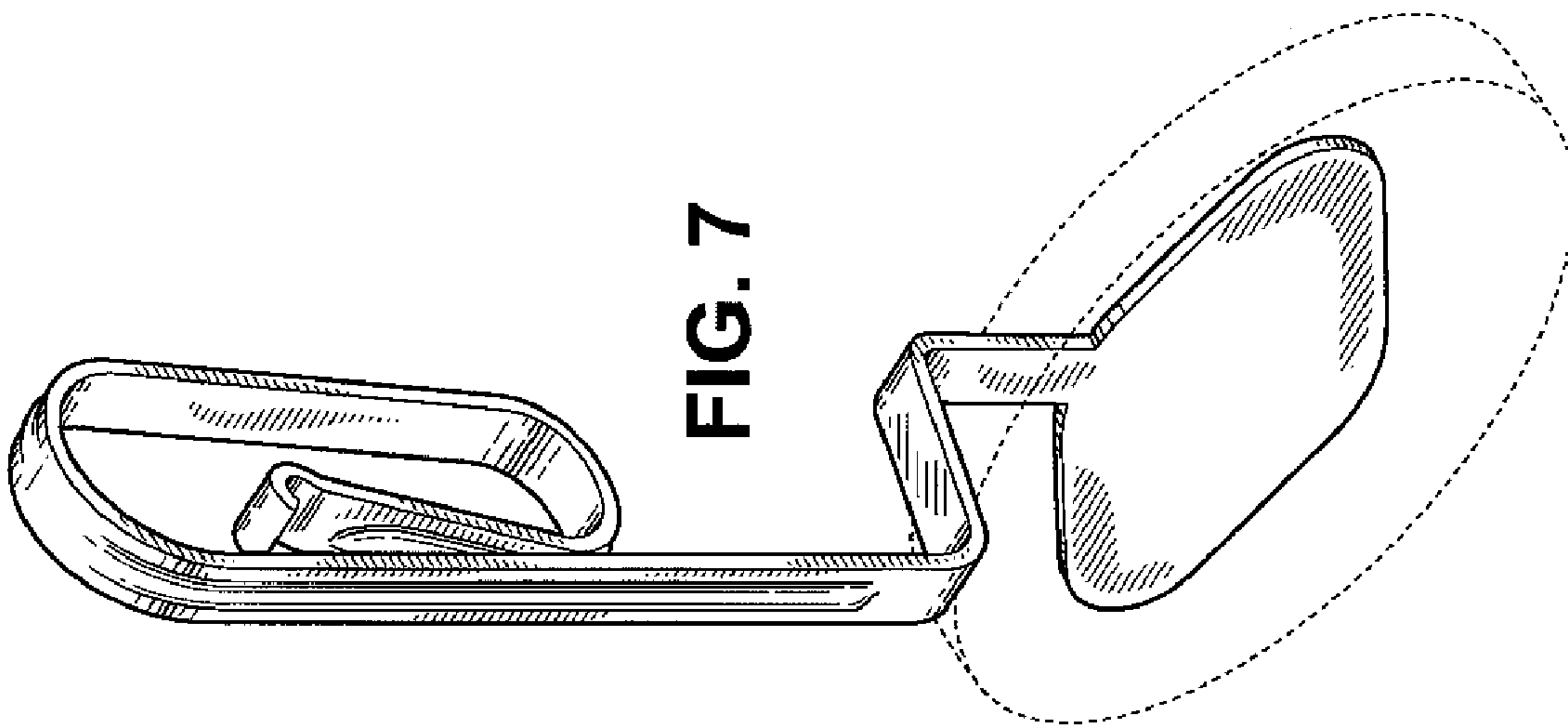
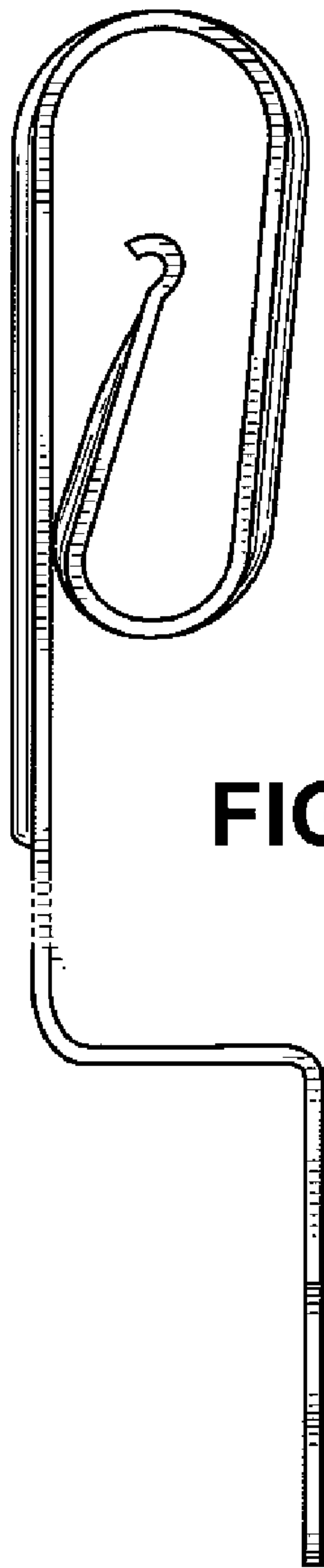
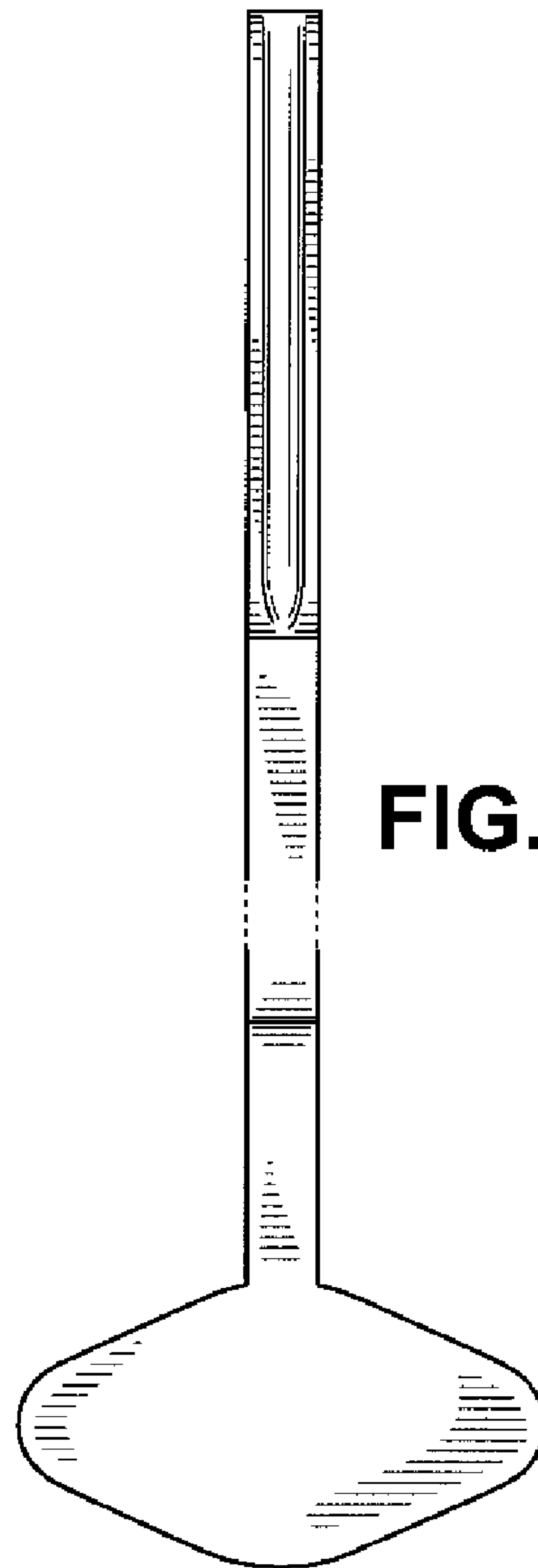


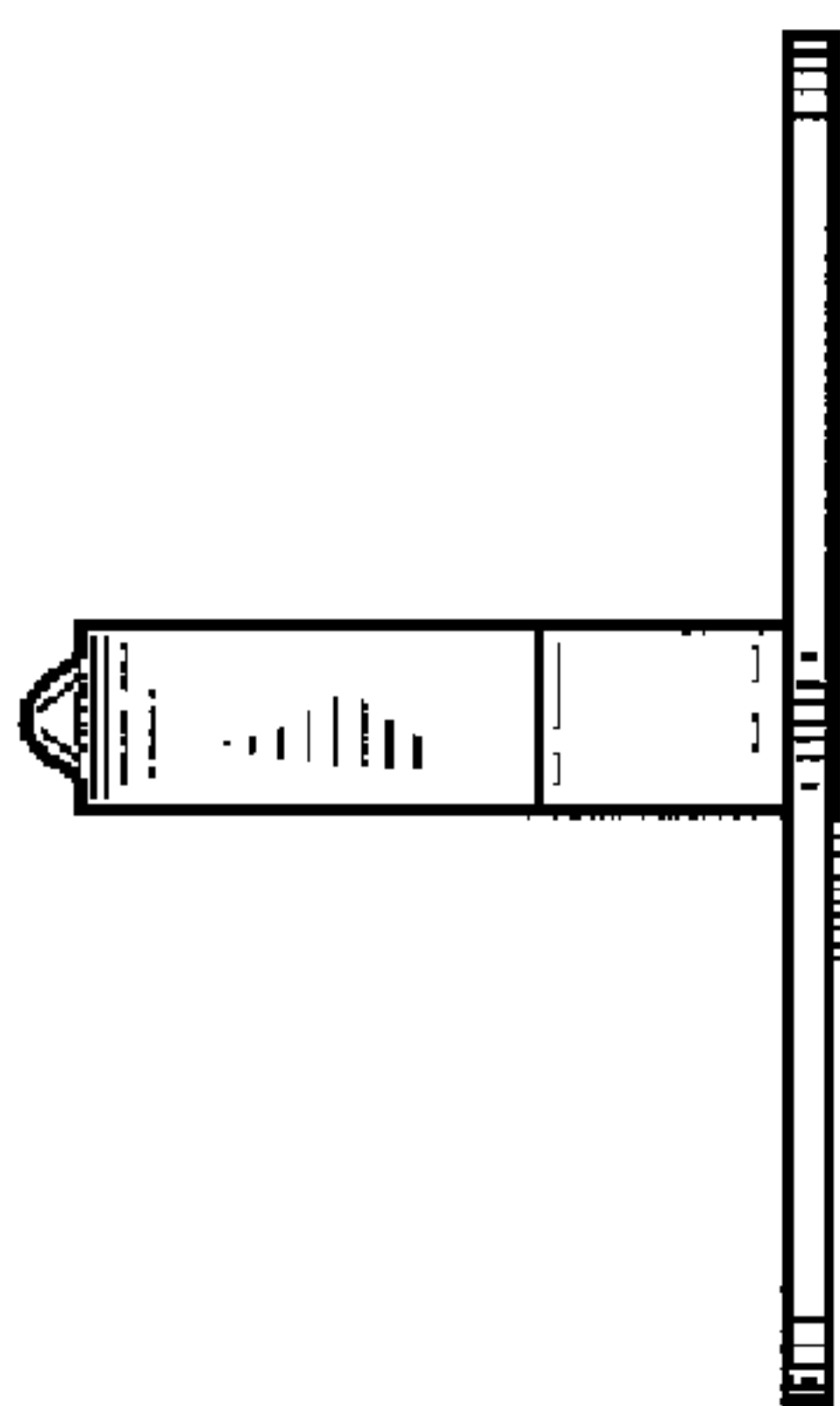
FIG. 7



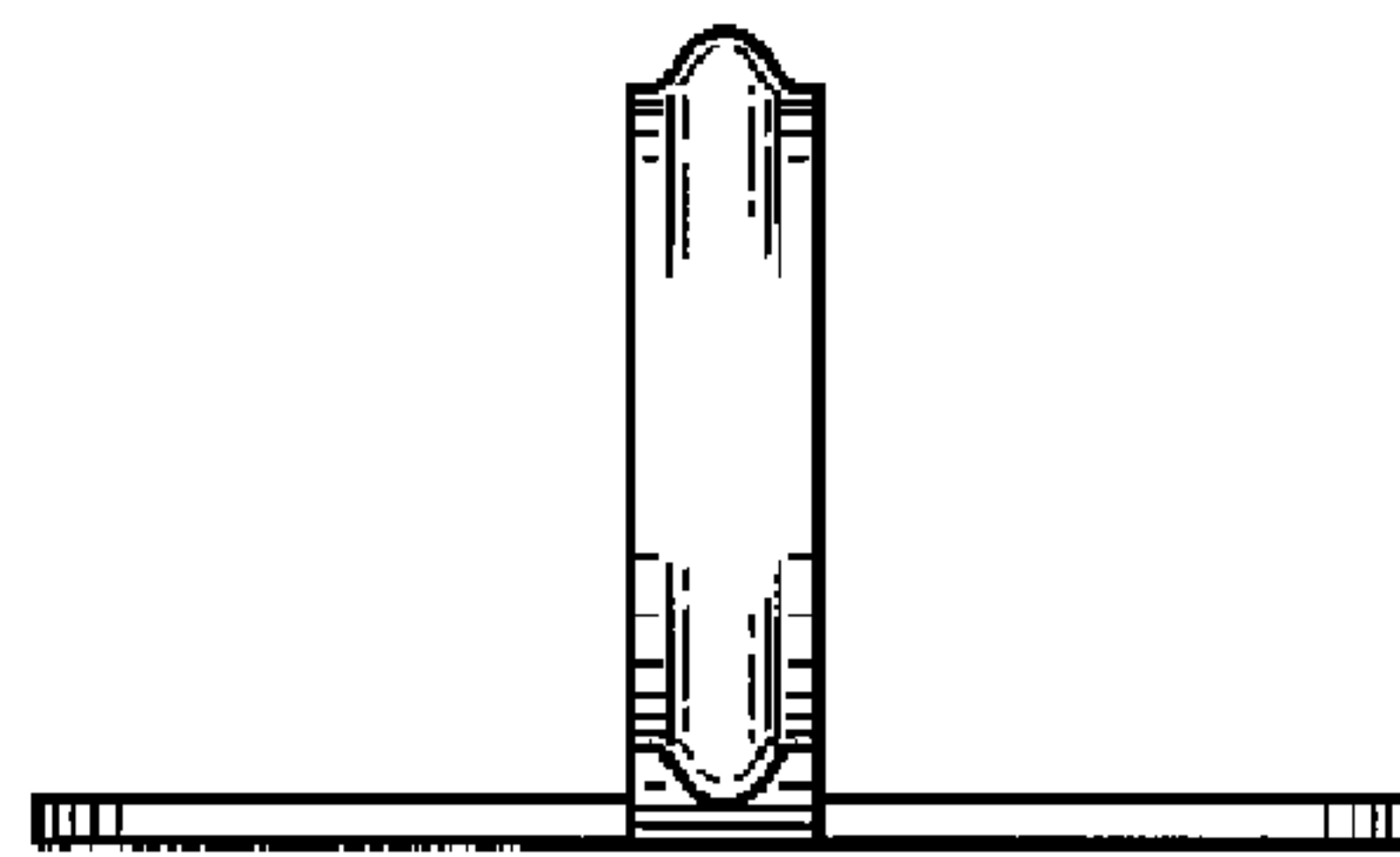
**FIG. 10**



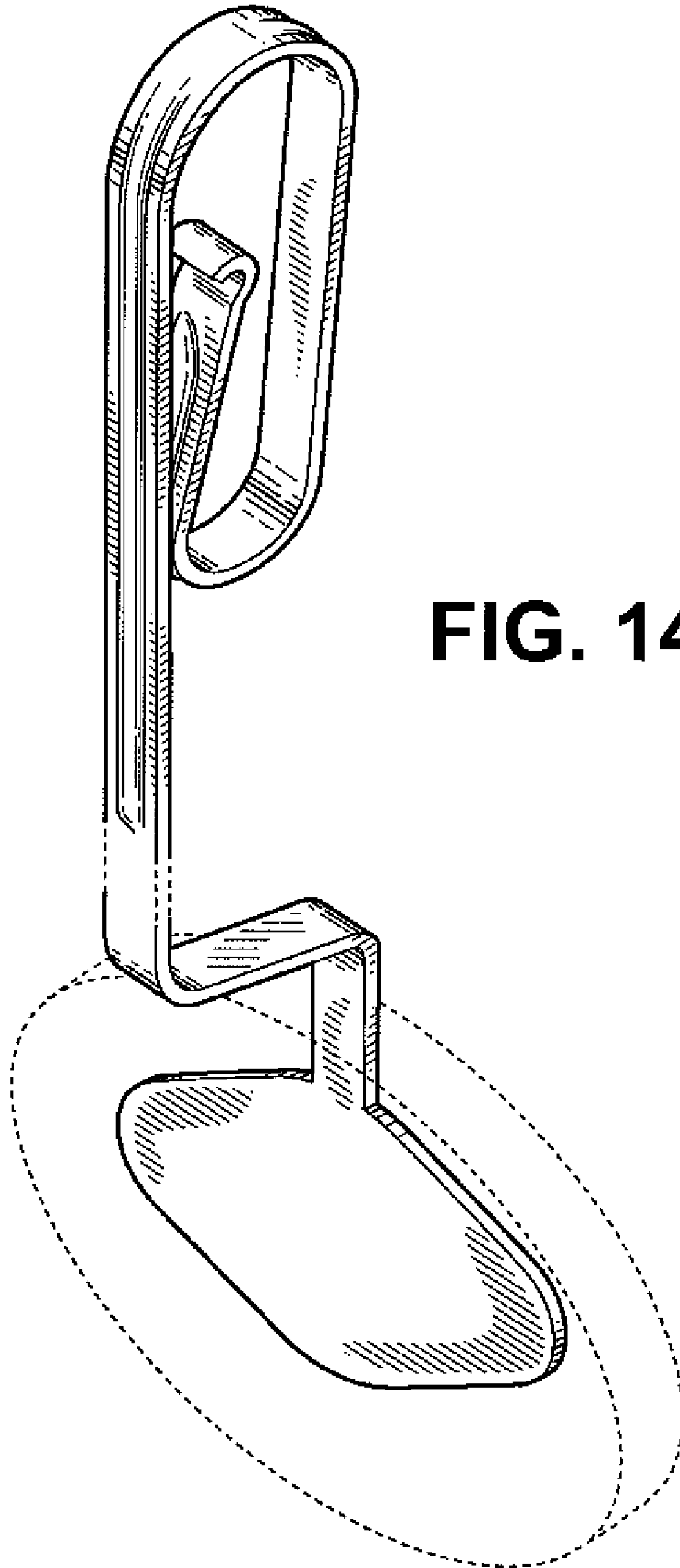
**FIG. 11**



**FIG. 12**



**FIG. 13**



**FIG. 14**