



US00D558850S

(12) **United States Design Patent**
Banta

(10) **Patent No.:** **US D558,850 S**

(45) **Date of Patent:** **** Jan. 1, 2008**

(54) **PLAY SLIDE**

(76) **Inventor:** **Bradford C. Banta**, 655 S. Raymond Ave., Pasadena, CA (US) 91105

(**) **Term:** **14 Years**

(21) **Appl. No.:** **29/266,998**

(22) **Filed:** **Oct. 2, 2006**

(51) **LOC (8) Cl.** **21-03**

(52) **U.S. Cl.** **D21/818**

(58) **Field of Classification Search** D21/818-822;
472/116-117; 282/35-36

See application file for complete search history.

(56) **References Cited**

U.S. PATENT DOCUMENTS

D363,521 S *	10/1995	Gilles	D21/818
D410,059 S *	5/1999	Zeilinger	D21/818
D410,060 S *	5/1999	Zeilinger	D21/818
D438,279 S *	2/2001	Robertson et al.	D21/818
6,342,015 B1 *	1/2002	Robertson et al.	472/116
D520,590 S *	5/2006	Zeilinger et al.	D21/818

D522,604 S * 6/2006 Rieber D21/818

* cited by examiner

Primary Examiner—Mitchell Siegel

(74) *Attorney, Agent, or Firm*—James E. Brunton, Esq.

(57) **CLAIM**

The ornamental design for “play slide,” as shown.

DESCRIPTION

FIG. 1 is a perspective view of a “play slide” showing my new design;

FIG. 2 is a front view thereof;

FIG. 3 is a rear view thereof;

FIG. 4 is a side-elevational view thereof;

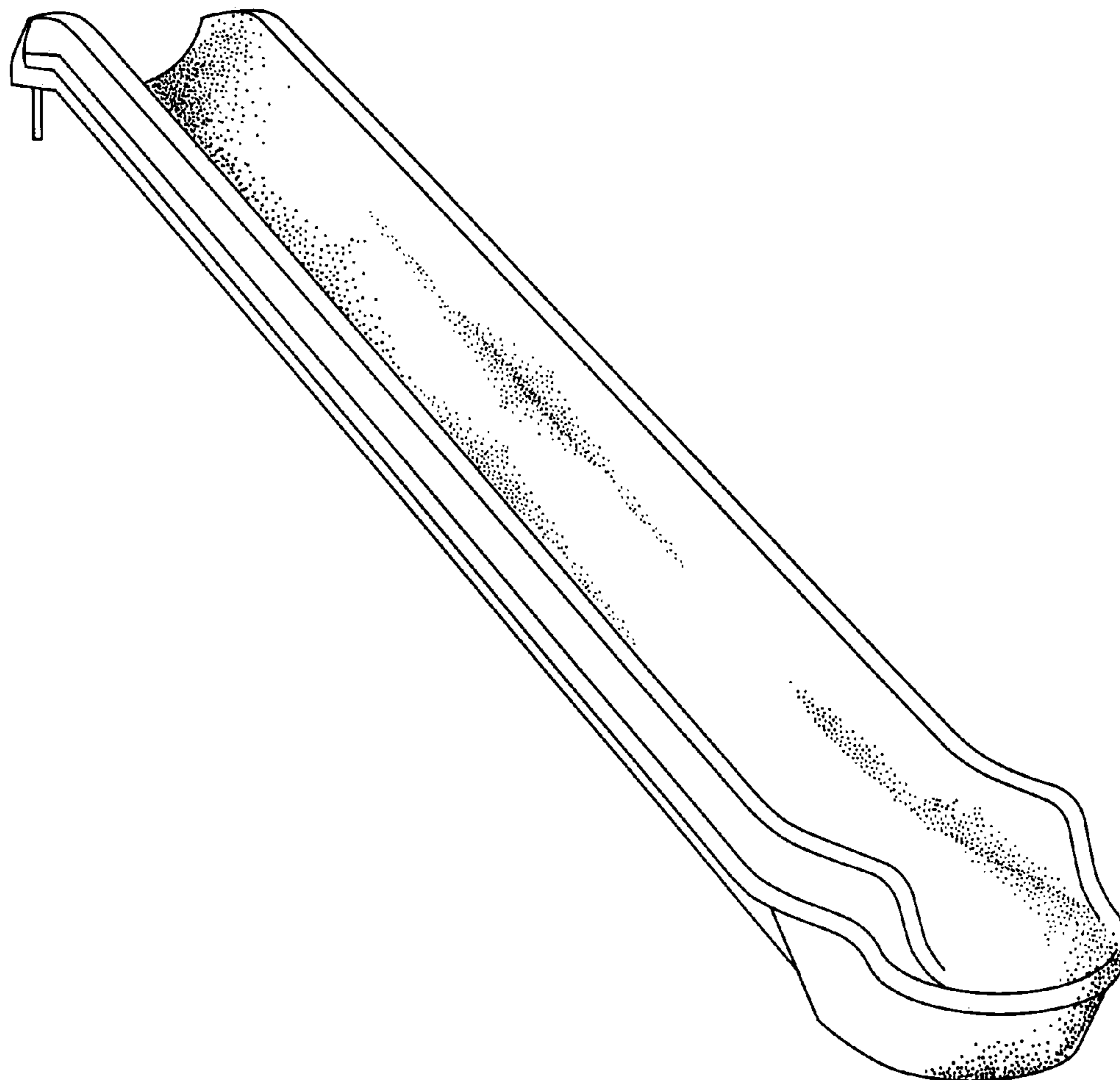
FIG. 5 is a view thereof taken along lines 5—5 of FIG. 4;

FIG. 6 is a top plan view thereof;

FIG. 7 is a bottom view thereof; and,

FIG. 8 is a cross-sectional view thereof taken along lines 8—8 of FIG. 6.

1 Claim, 4 Drawing Sheets



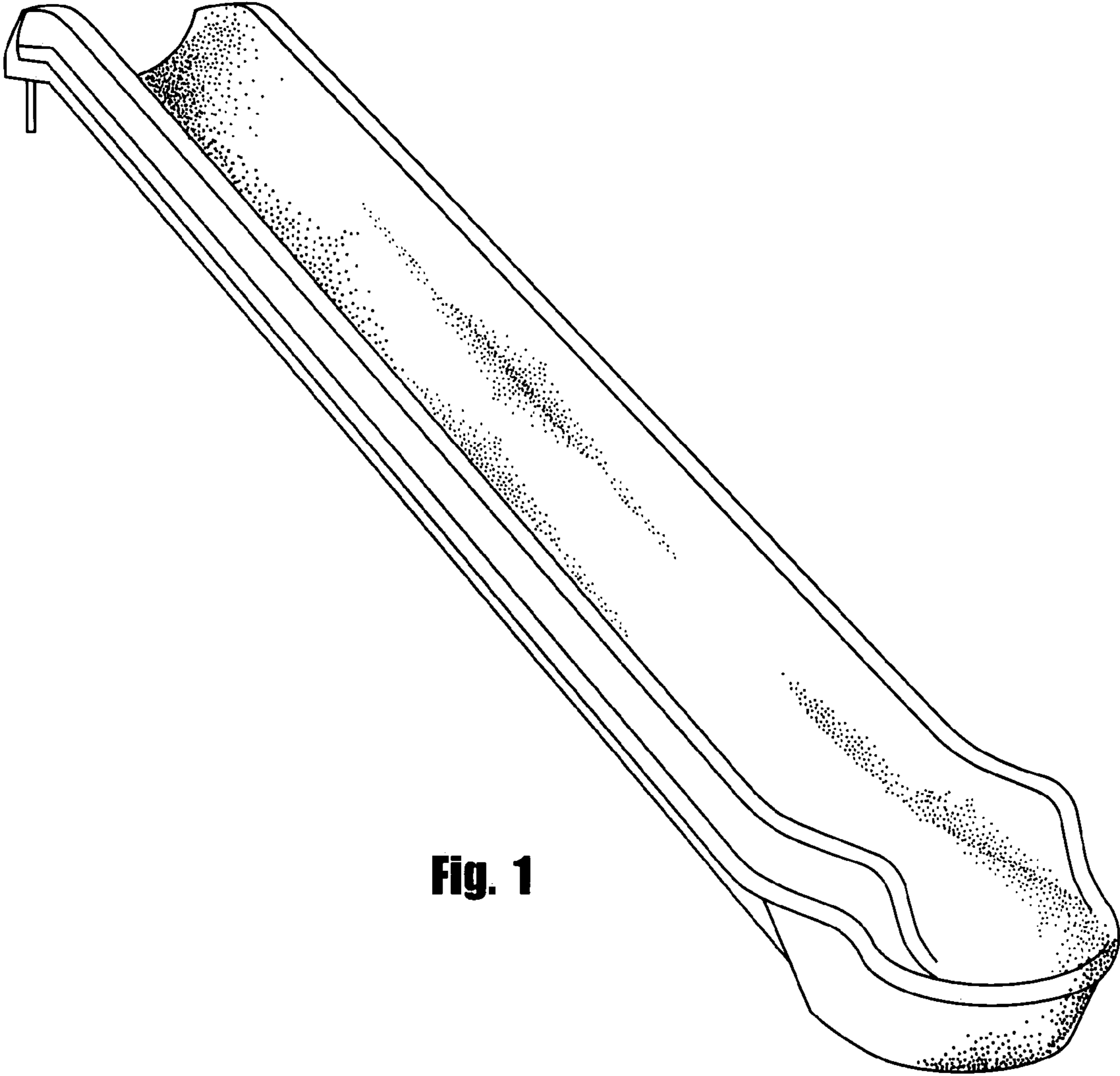


Fig. 1

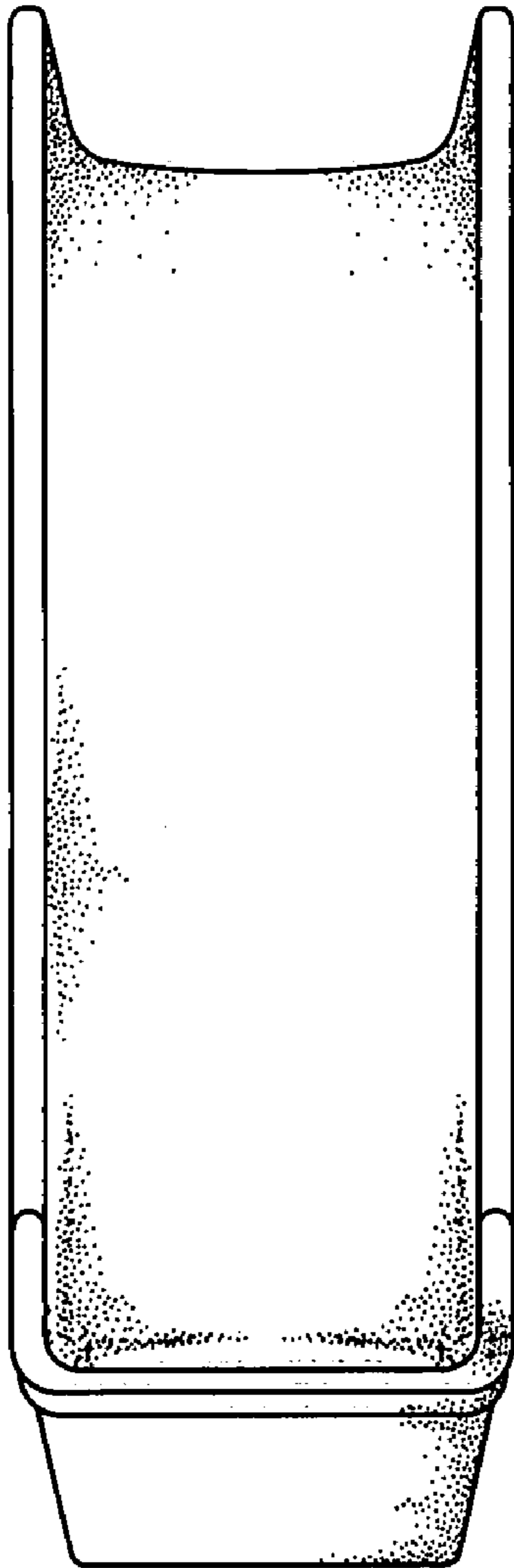


Fig. 2

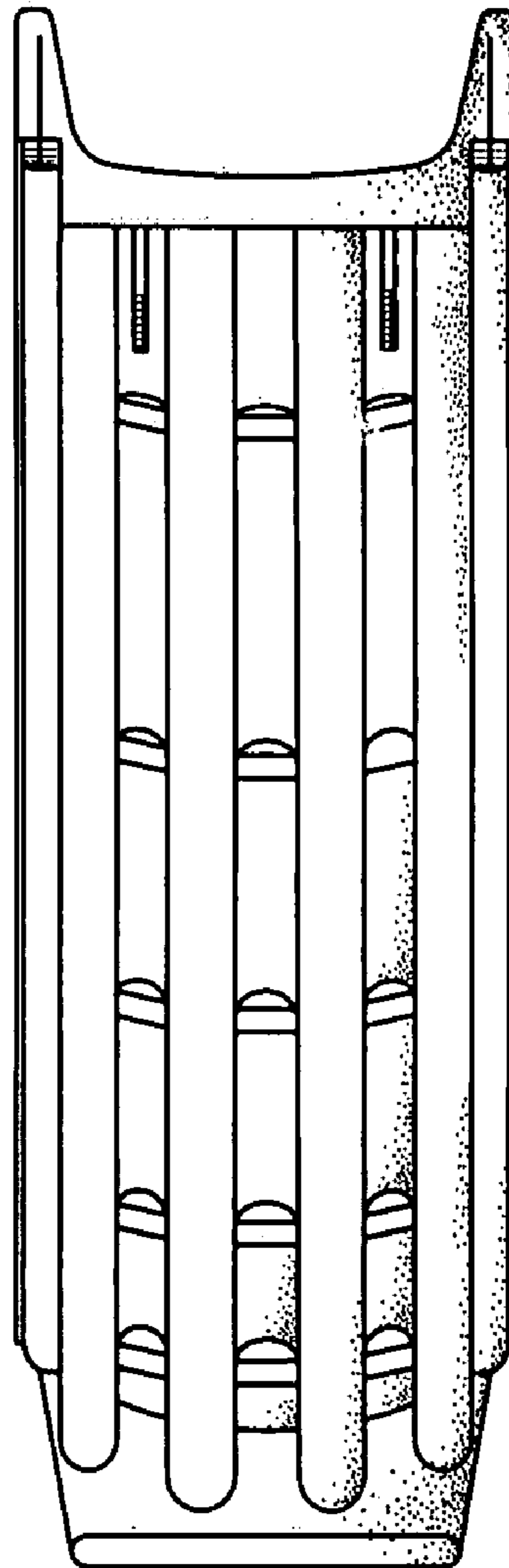
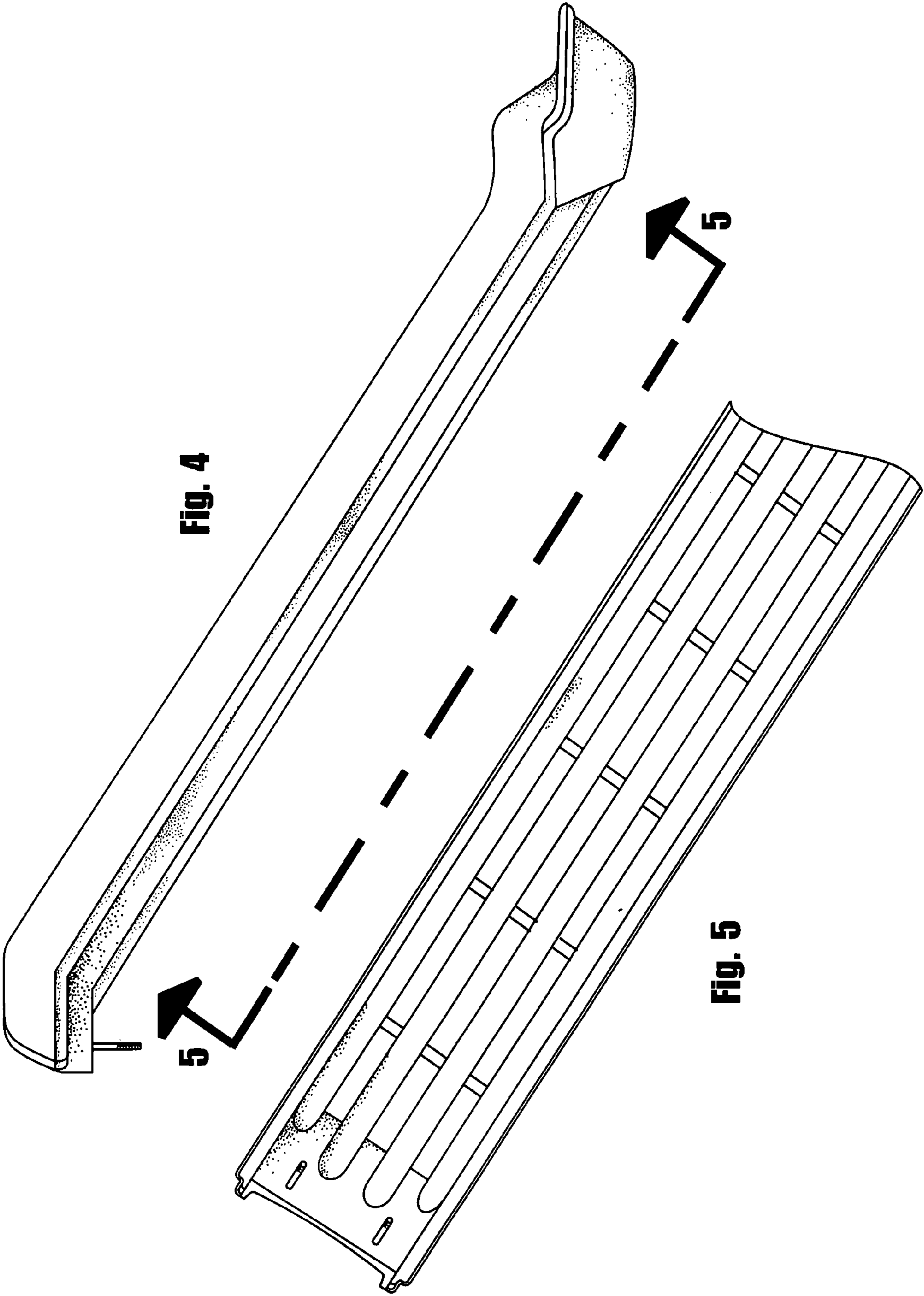


Fig. 3



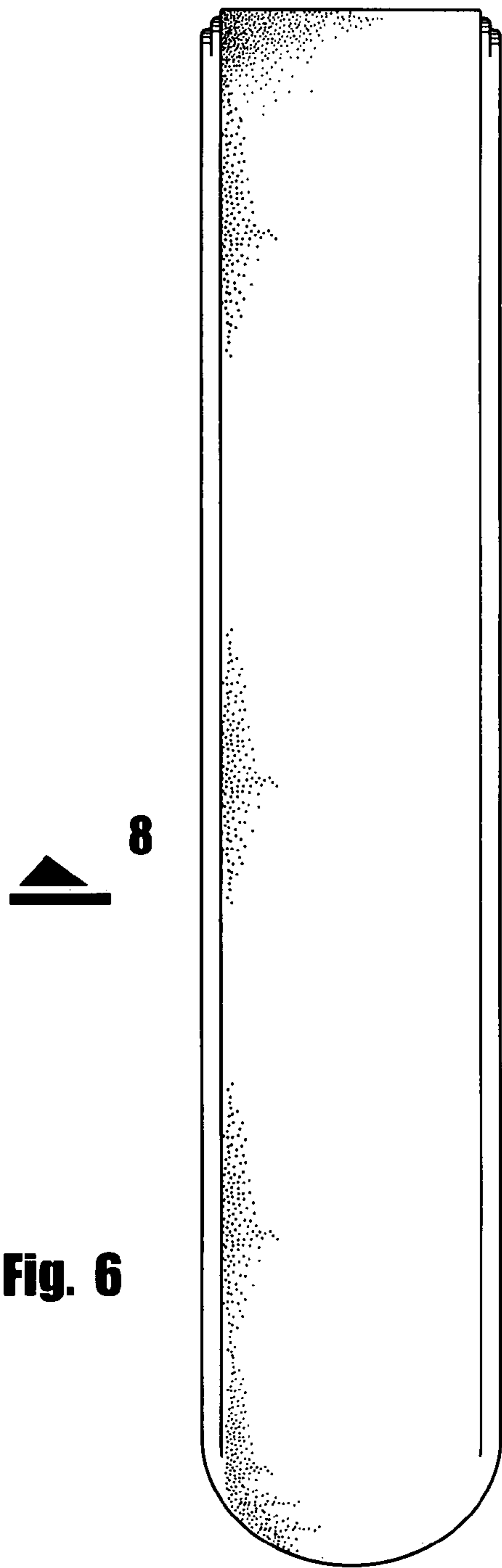


Fig. 6

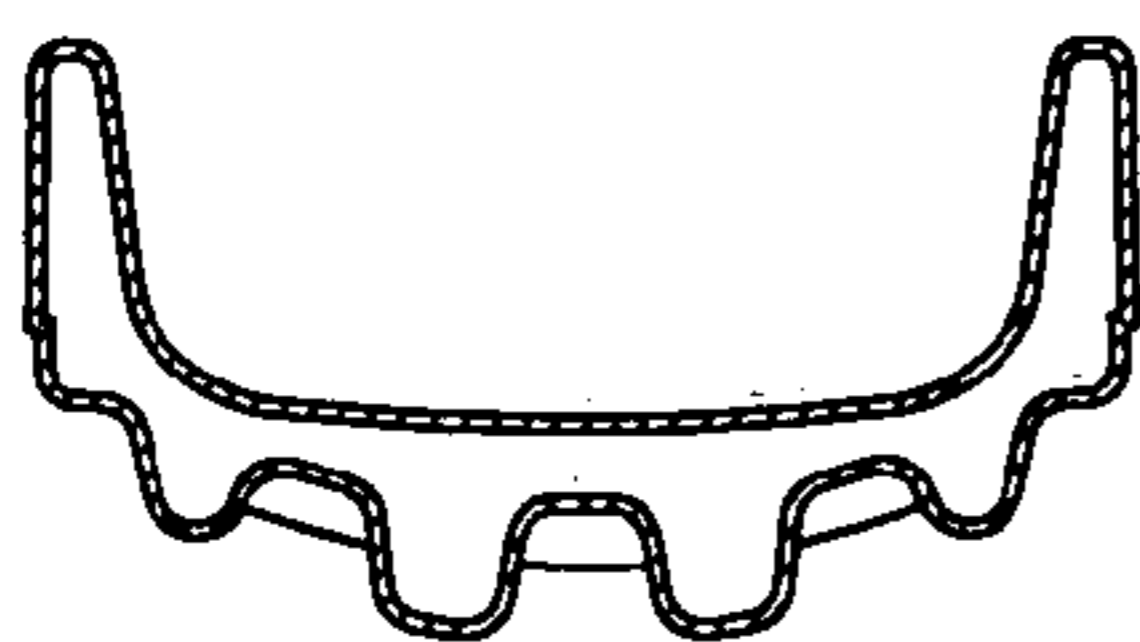


Fig. 8

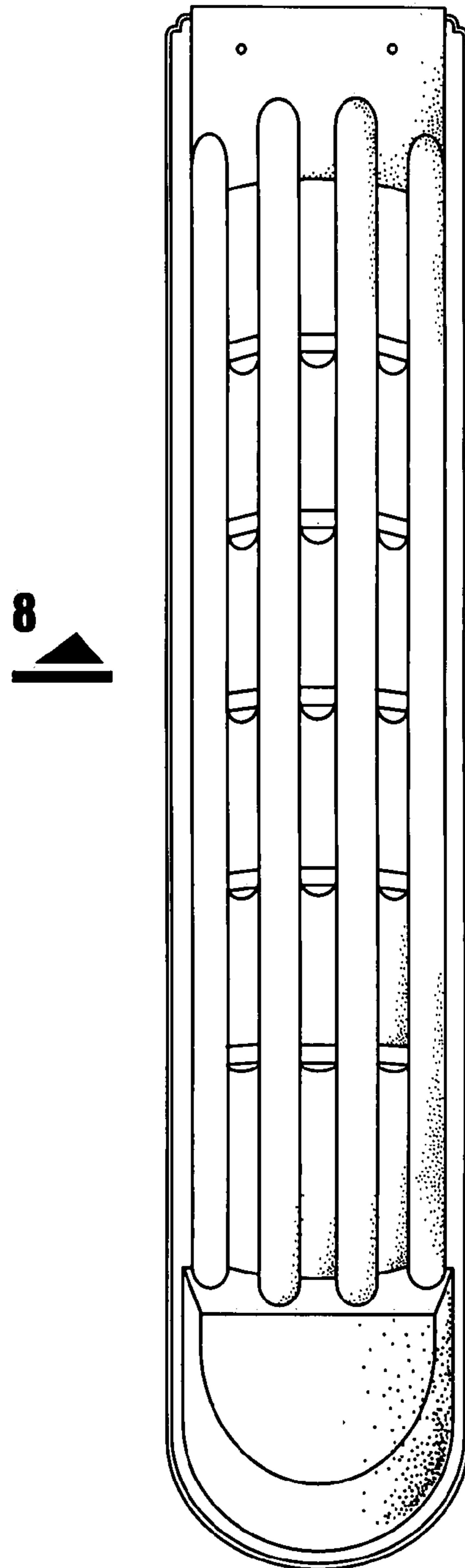


Fig. 7