



US00D558848S

(12) **United States Design Patent**
Moore, Sr.

(10) **Patent No.:** **US D558,848 S**

(45) **Date of Patent:** **** Jan. 1, 2008**

(54) **POOL TABLE**

6,053,818 A * 4/2000 McCormick 473/4
D494,241 S * 8/2004 Moore, Sr. D21/784
D495,766 S * 9/2004 Moore, Sr. D21/784

(75) Inventor: **William D. Moore, Sr.**, Colfax, NC
(US)

OTHER PUBLICATIONS

(73) Assignee: **Brunswick Bowling & Billiards Corporation**, Lake Forest, IL (US)

Dufferin catalog, May 2002.*
Olhausen pool tables 1999, pp. 6 and 8.*

(**) Term: **14 Years**

* cited by examiner

(21) Appl. No.: **29/265,307**

Primary Examiner—Prabhakar Deshmukh
(74) *Attorney, Agent, or Firm*—Timothy M. Morella;
Dykema Gossett PLLC

(22) Filed: **Aug. 29, 2006**

(51) **LOC (8) Cl.** **06-03**

(57) **CLAIM**

(52) **U.S. Cl.** **D21/784**

The ornamental design for pool table, as shown and described.

(58) **Field of Classification Search** D21/782-784;
D6/492-597; 473/1, 4, 9, 17, 21, 29, 33
See application file for complete search history.

DESCRIPTION

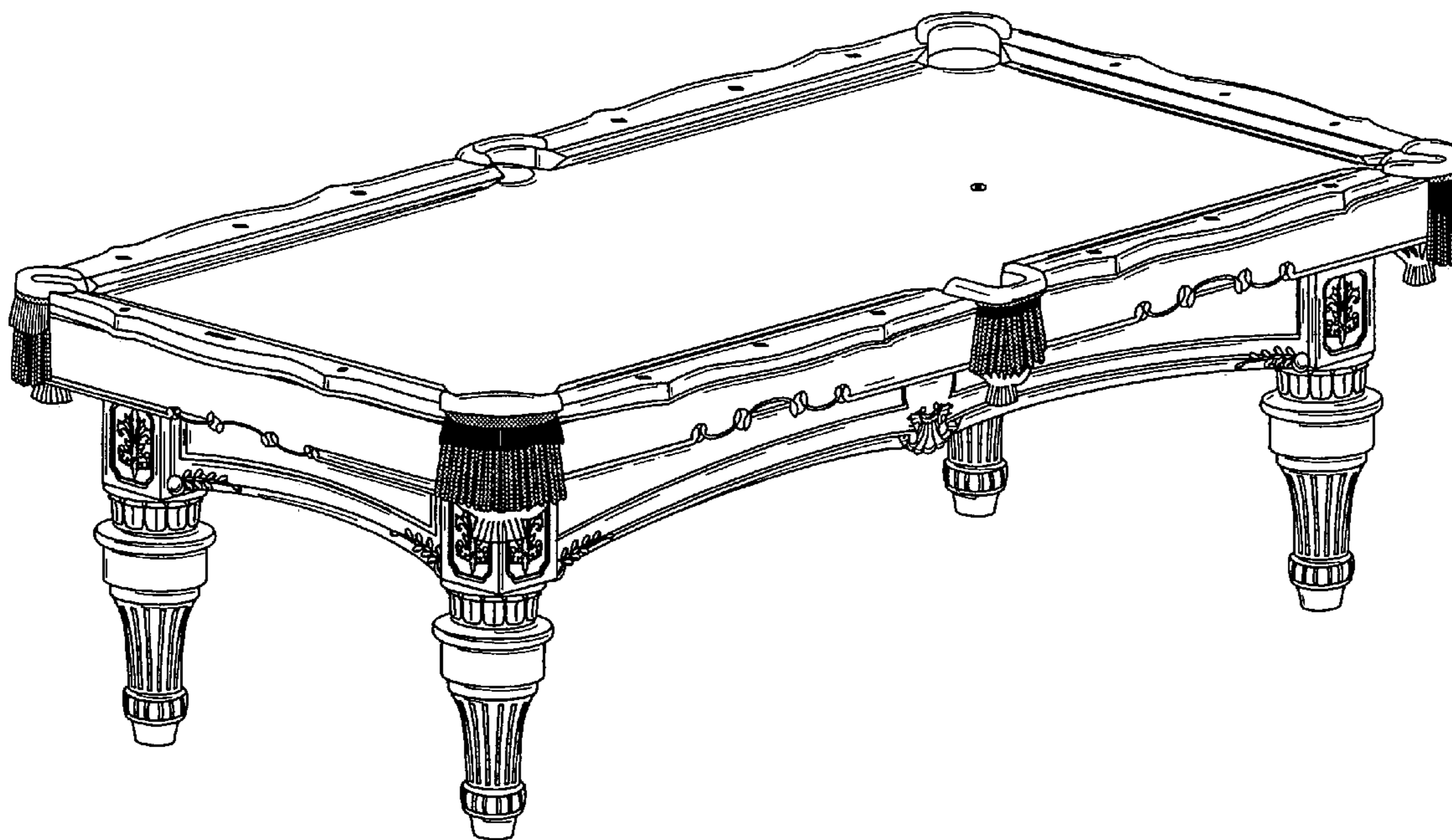
(56) **References Cited**

FIG. 1 is a top, side and front perspective view of a pool table showing my new design;
FIG. 2 is a side elevational view thereof;
FIG. 3 is a front elevational view thereof;
FIG. 4 is a top plan view thereof; and,
FIG. 5 is a bottom plan view thereof.

U.S. PATENT DOCUMENTS

D6,269 S * 11/1872 Benjamin D21/784
RE6,469 E * 6/1875 Collender 473/4
D14,834 S * 2/1884 Wagner D21/784
D22,594 S * 7/1893 Augenbraun D21/784
D40,092 S * 6/1909 Hine D21/784
1,656,416 A * 1/1928 Brinkman 473/22
D89,903 S * 5/1933 Matteson D21/784

1 Claim, 5 Drawing Sheets



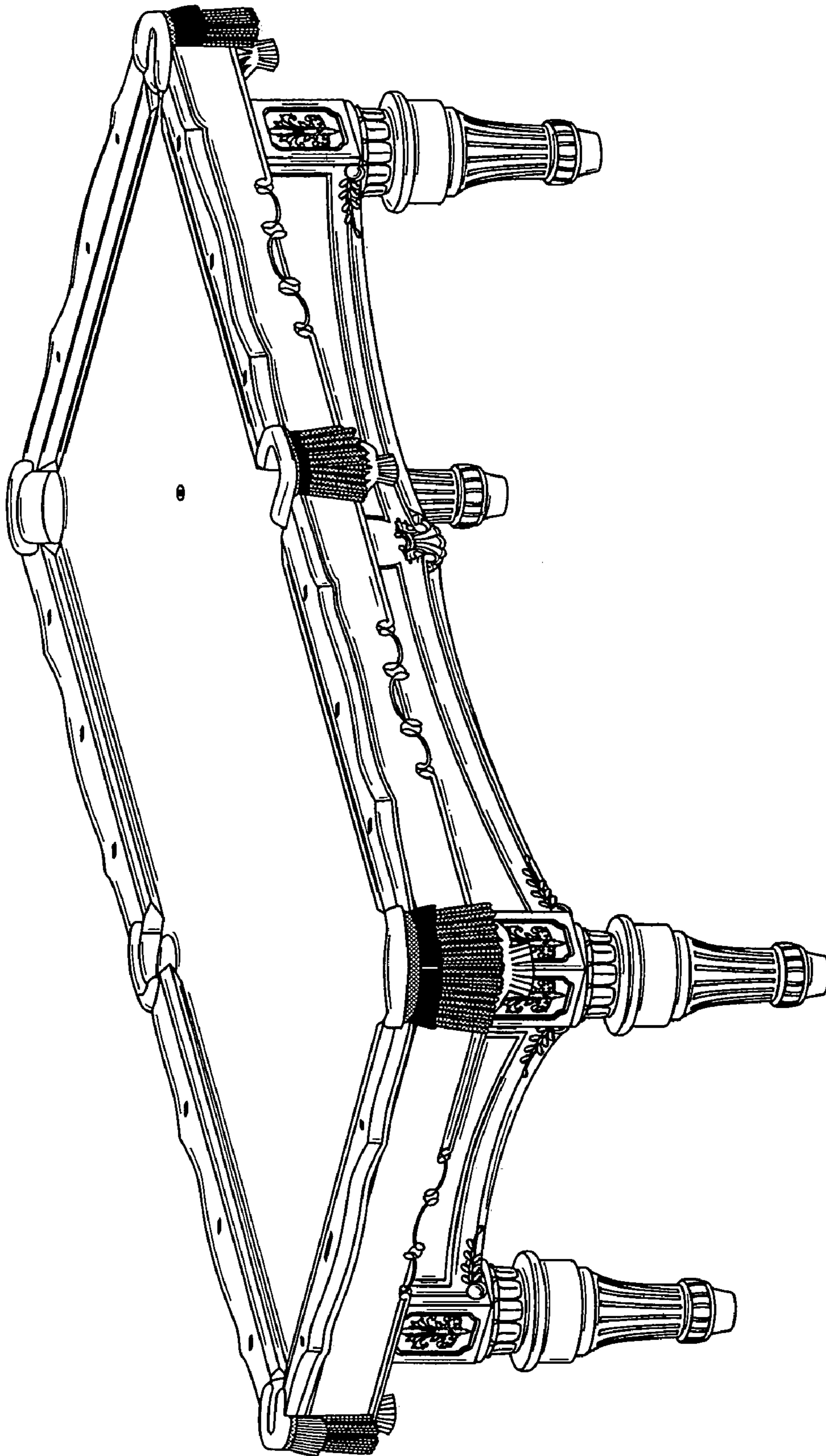


FIG. 1

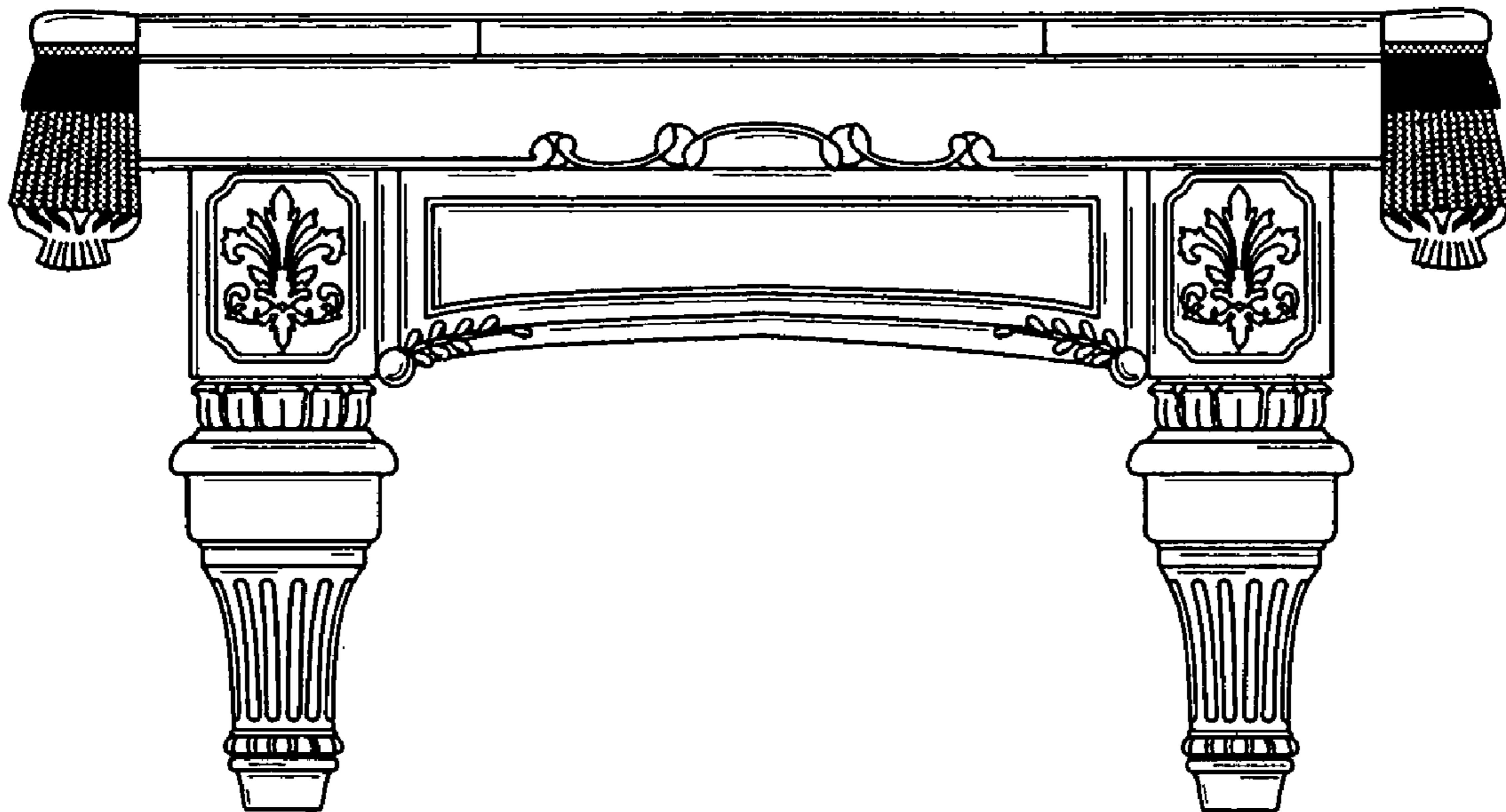


FIG. 2

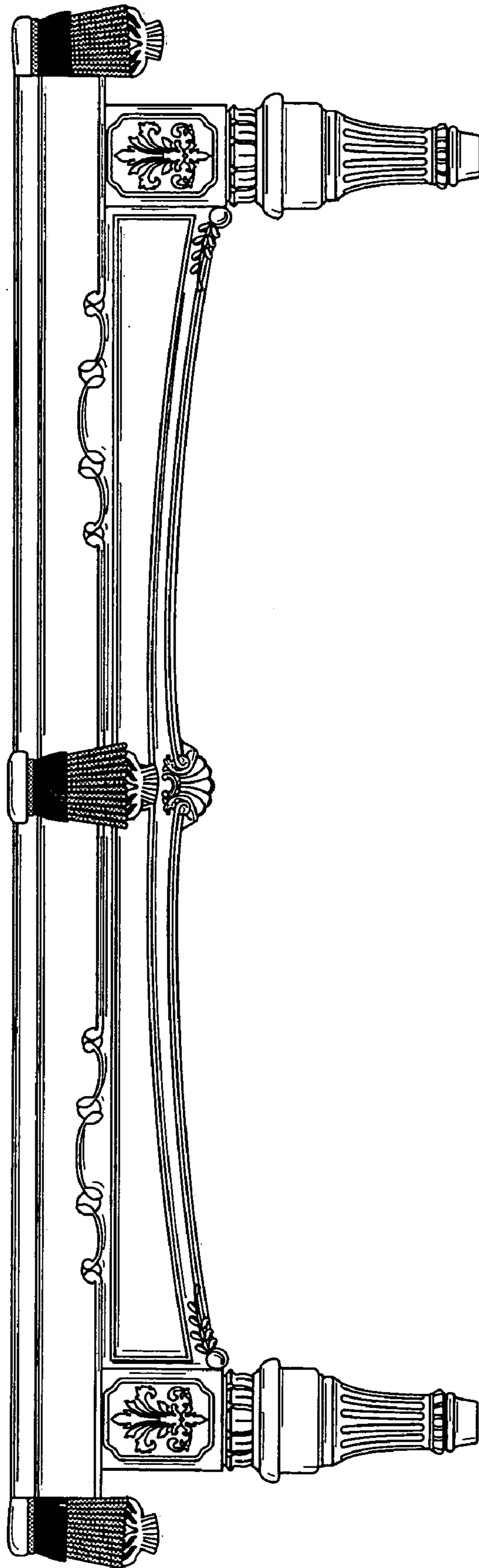


FIG. 3

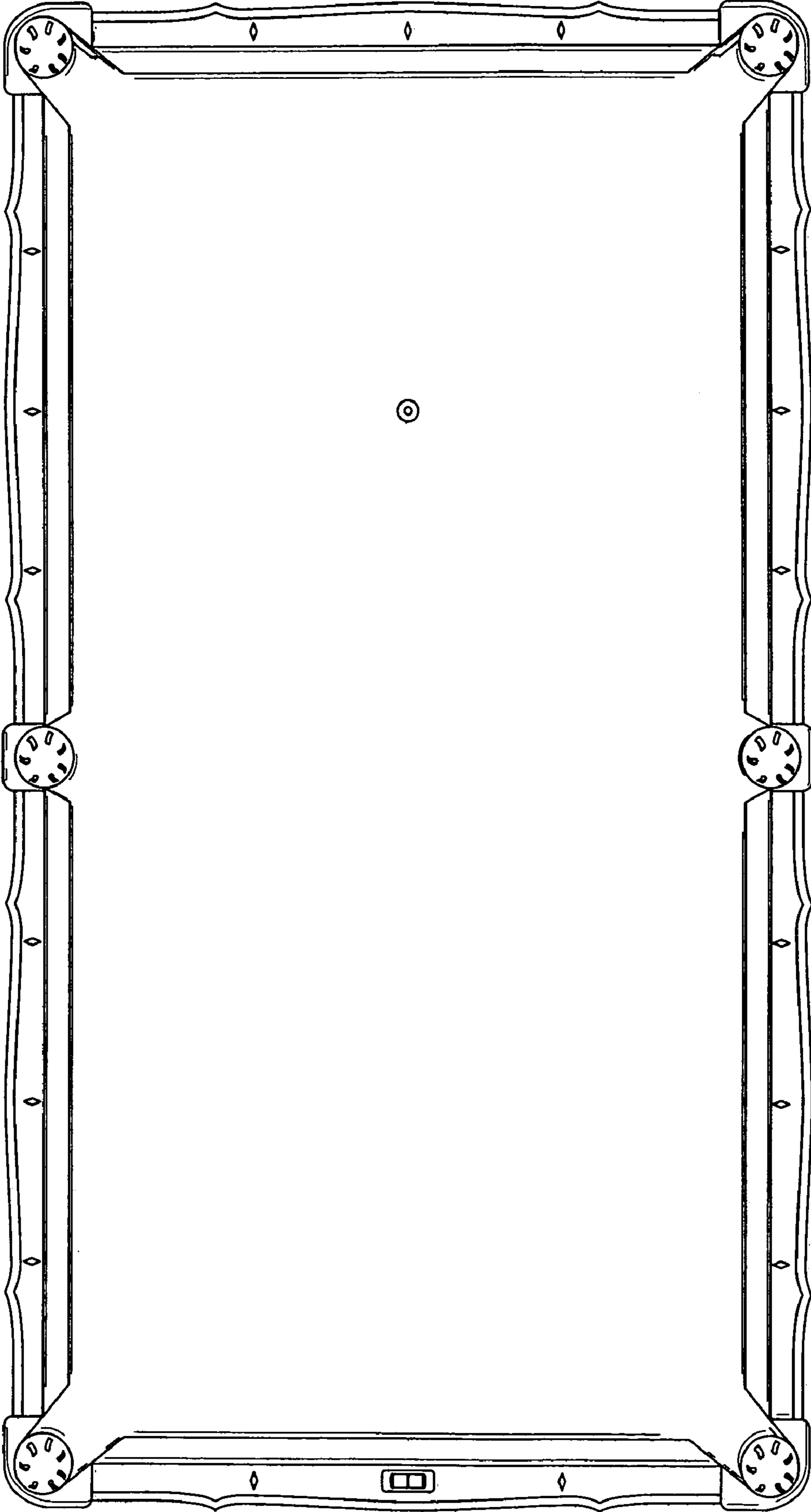


FIG. 4

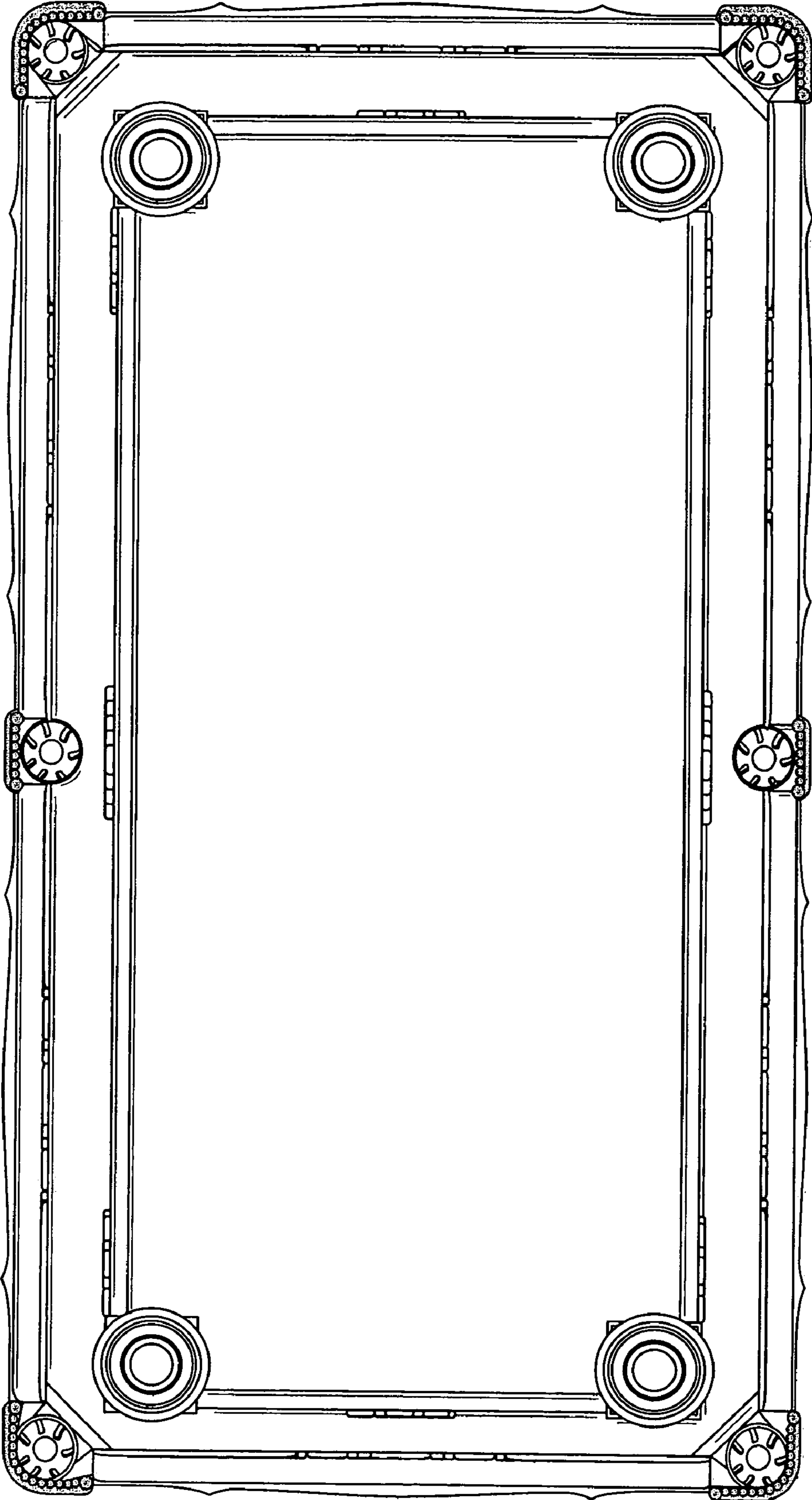


FIG. 5