



US00D558847S

(12) **United States Design Patent**
McCormick

(10) **Patent No.:** **US D558,847 S**

(45) **Date of Patent:** **** Jan. 1, 2008**

(54) **POOL TABLE**

D495,766 S * 9/2004 Moore, Sr. D21/784

(76) **Inventor:** **William R. McCormick**, 11035 87th
St., Pleasant Prairie, WI (US) 53158

(**) **Term:** **14 Years**

(21) **Appl. No.:** **29/259,393**

(22) **Filed:** **May 8, 2006**

(51) **LOC (8) Cl.** **06-03**

(52) **U.S. Cl.** **D21/784**

(58) **Field of Classification Search** D21/782-784;
D6/492-597; 473/1, 4, 9, 17, 21, 29, 33
See application file for complete search history.

(56) **References Cited**

U.S. PATENT DOCUMENTS

D6,269 S *	11/1872	Benjamin	D21/784
RE6,469 E *	6/1875	Collender	473/4
D14,834 S *	2/1884	Wagner	D21/784
D22,594 S *	7/1893	Augenbraun	D21/784
D40,092 S *	6/1909	Hine	D21/784
1,656,416 A *	1/1928	Brinkman	473/22
D89,903 S *	5/1933	Matteson	D21/784
6,053,818 A *	4/2000	McCormick	473/4
D494,241 S *	8/2004	Moore, Sr.	D21/784

OTHER PUBLICATIONS

Dufferin catalog, May 2002.*
Olhausen pool tables 1999, pp. 6 and 8.*

* cited by examiner

Primary Examiner—Prabhakar Deshmukh
(74) *Attorney, Agent, or Firm*—Timothy M. Morella;
Dykema Gossett PLLC

(57) **CLAIM**

The ornamental design for pool table, as shown and described.

DESCRIPTION

FIG. 1 is a top, side and front perspective view of a pool table showing my new design;

FIG. 2 is a top and side perspective view thereof;

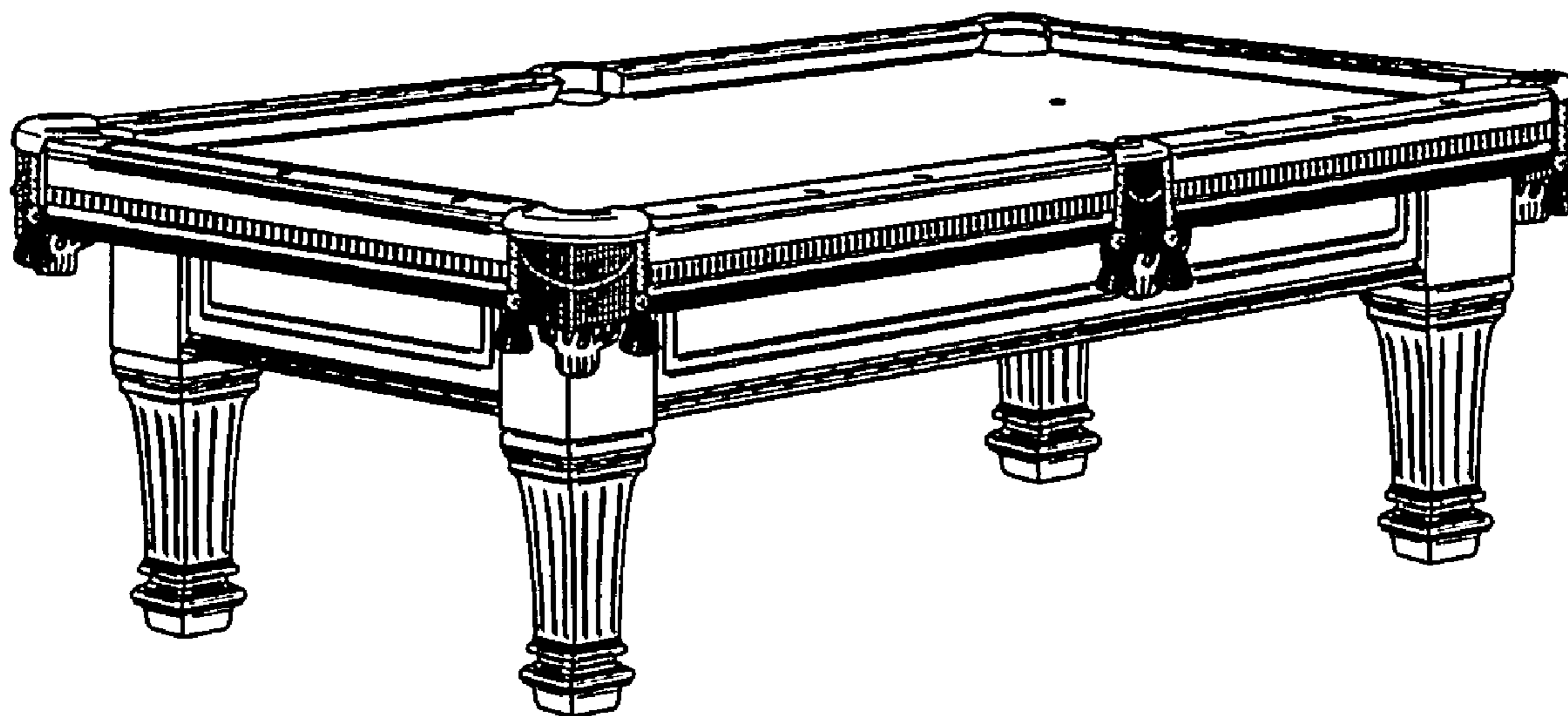
FIG. 3 is a front elevational view thereof;

FIG. 4 is a top plan view thereof;

FIG. 5 is a side elevational view thereof; and,

FIG. 6 is a bottom plan view thereof.

1 Claim, 3 Drawing Sheets



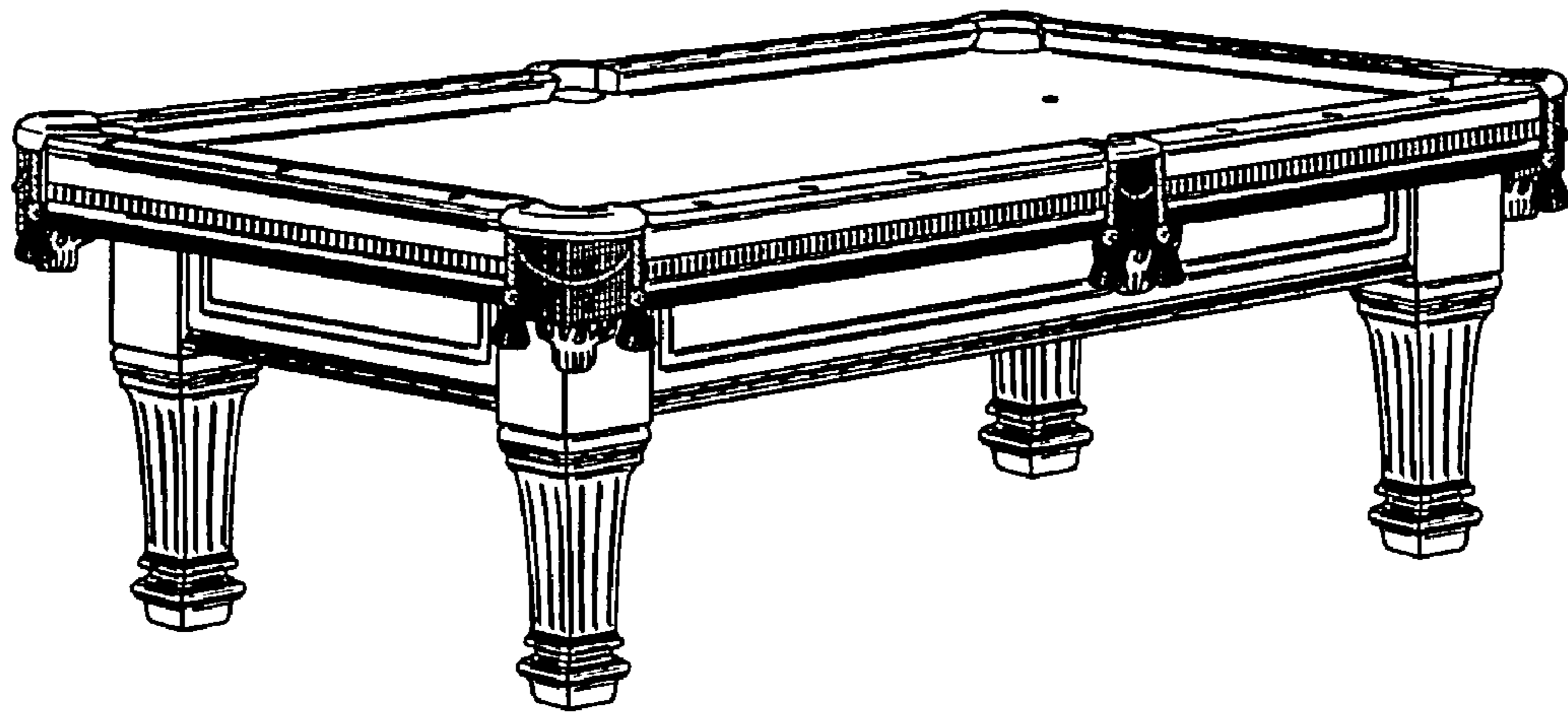


FIG. 1

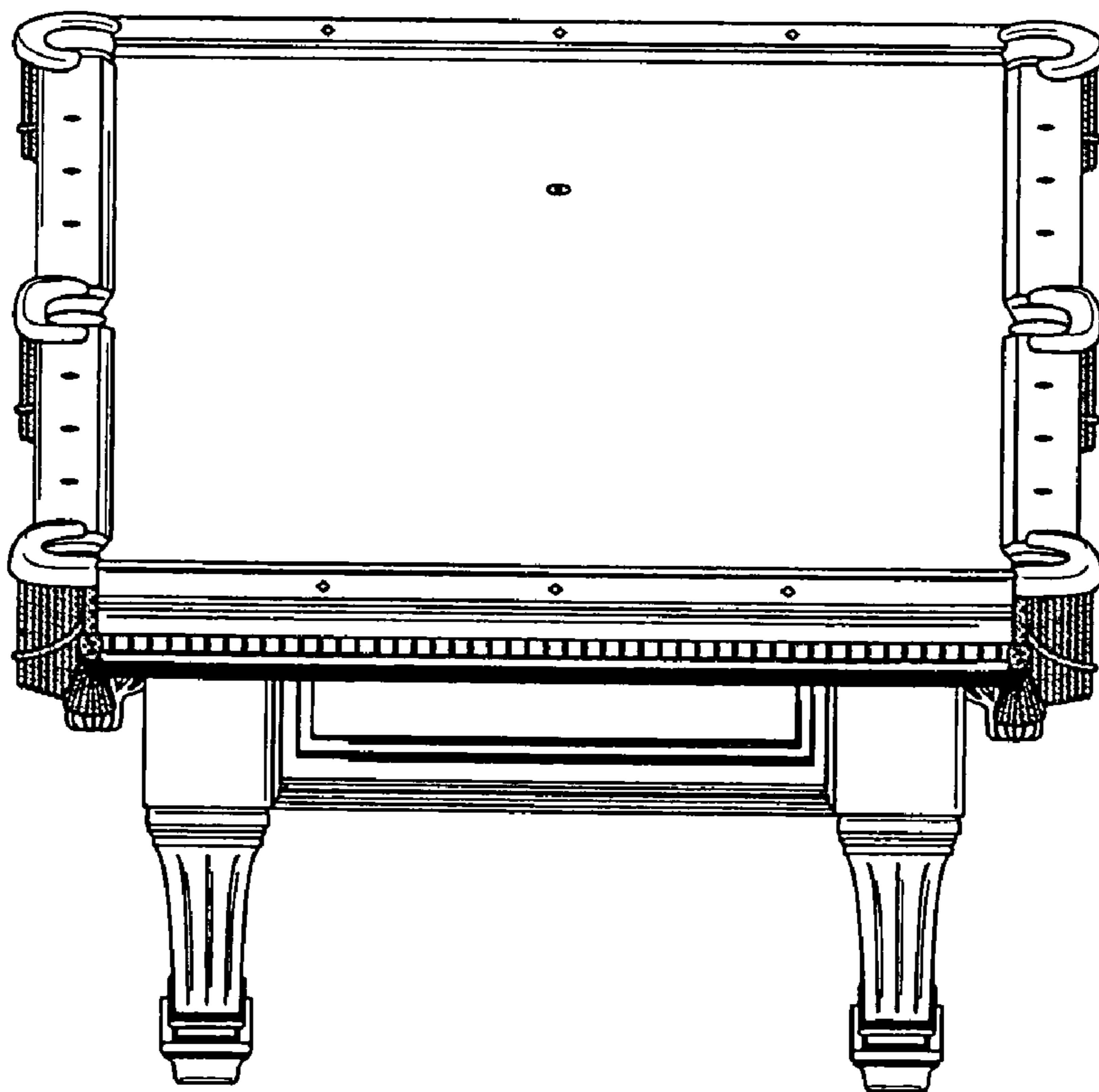


FIG. 2

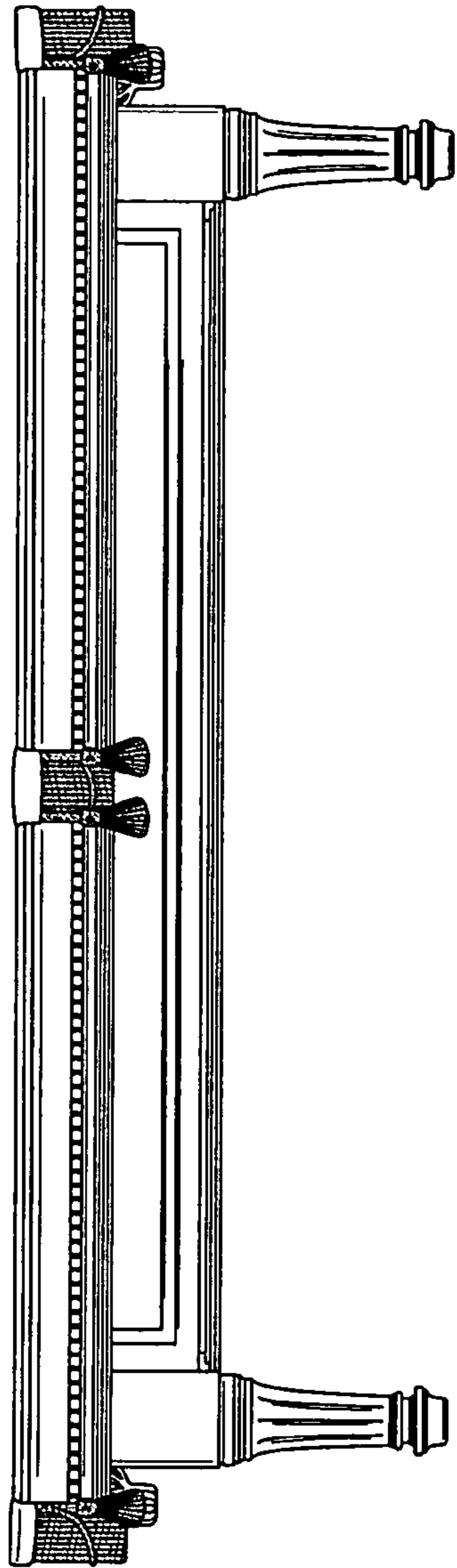


FIG. 3

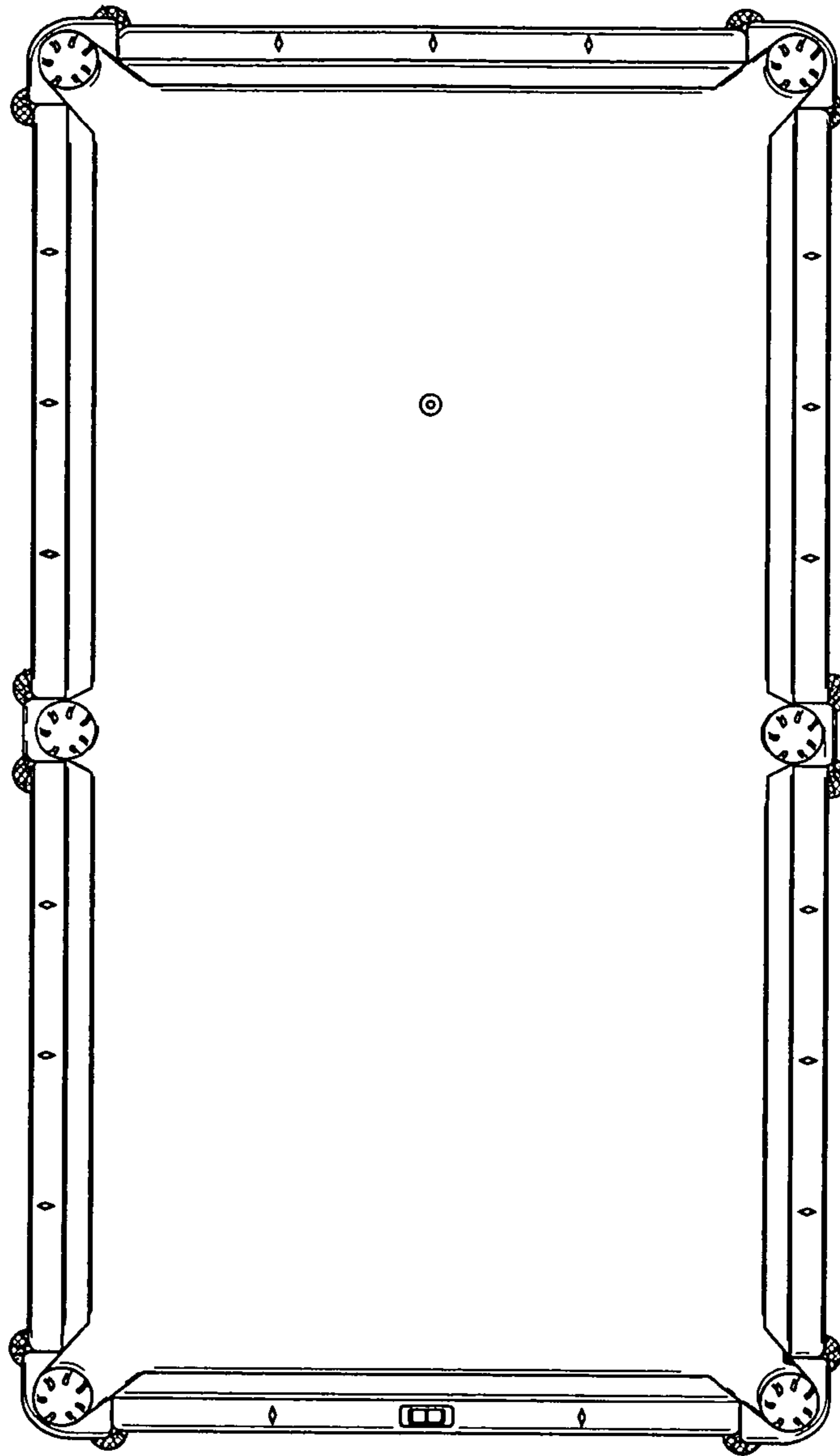


FIG. 4

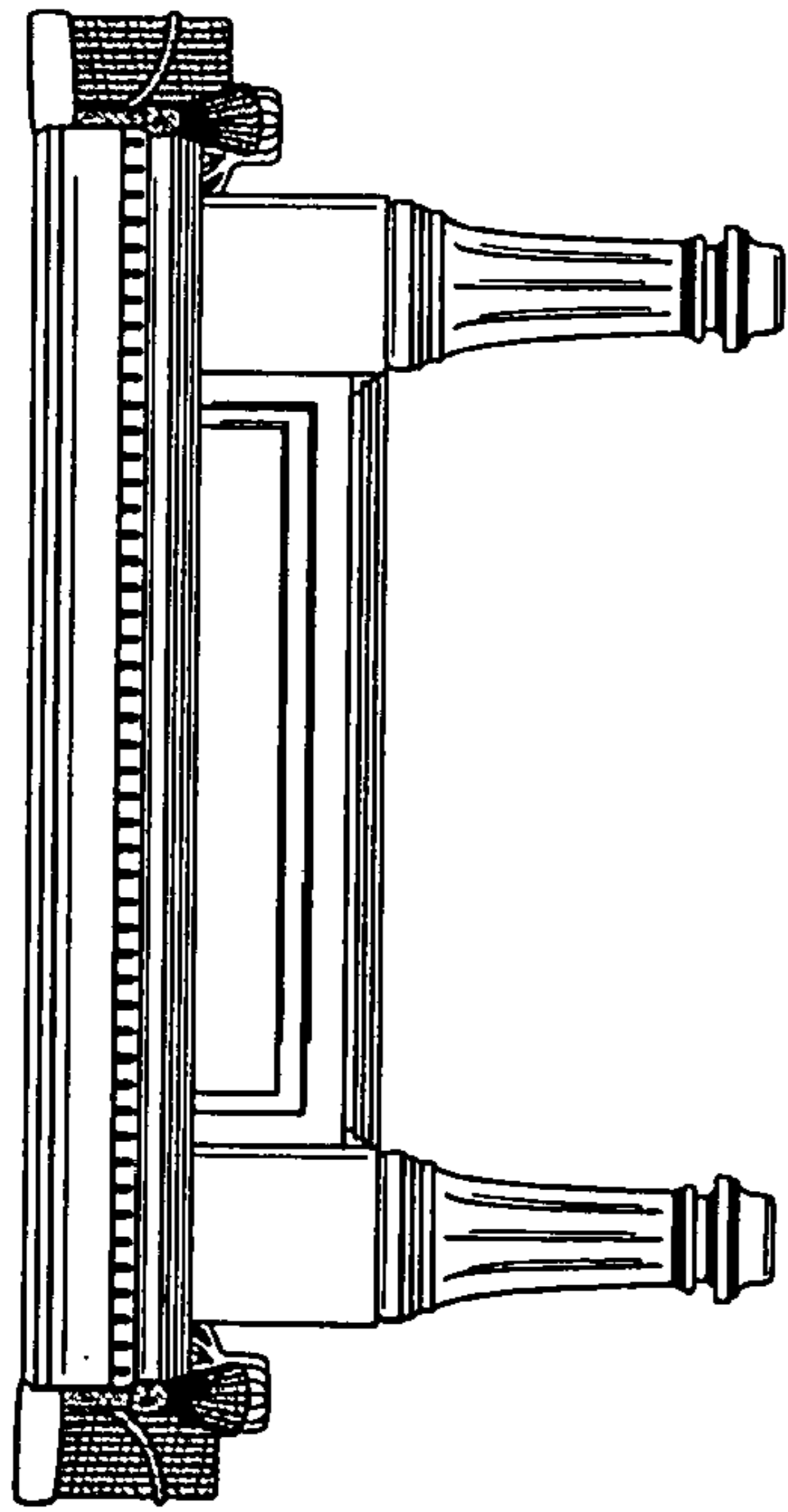


FIG. 5

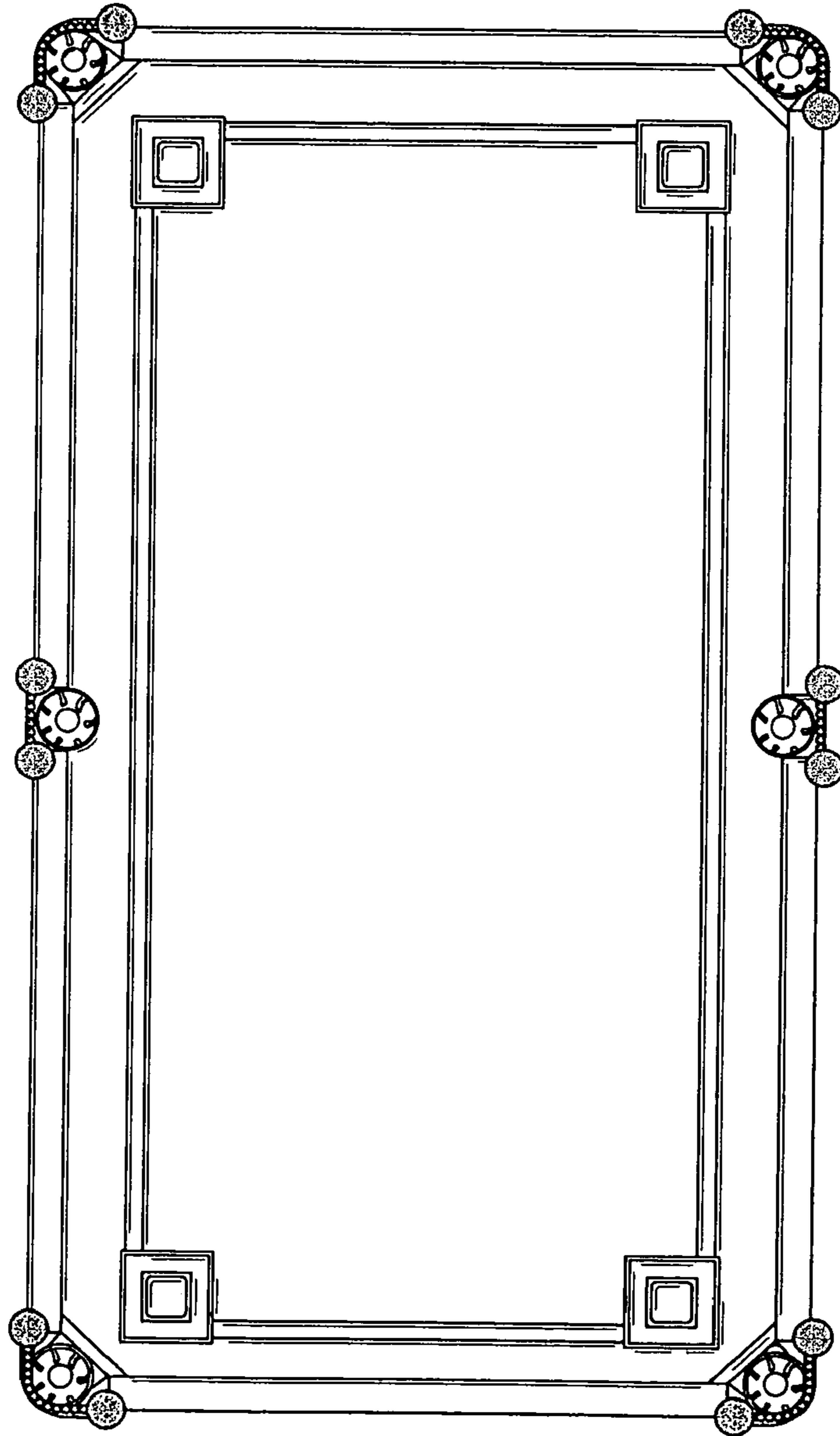


FIG. 6

UNITED STATES PATENT AND TRADEMARK OFFICE
CERTIFICATE OF CORRECTION

PATENT NO. : Des. 558,847 S
APPLICATION NO. : 29/259393
DATED : January 1, 2008
INVENTOR(S) : William R. McCormick

Page 1 of 1

It is certified that error appears in the above-identified patent and that said Letters Patent is hereby corrected as shown below:

Title Page item 73 insert
BRUNSWICK BOWLING AND BILLIARDS CORPORATION
Lake Forest, Illinois

Signed and Sealed this

Seventh Day of October, 2008

A handwritten signature in black ink that reads "Jon W. Dudas". The signature is written in a cursive style with a large, looped initial "J".

JON W. DUDAS

Director of the United States Patent and Trademark Office

UNITED STATES PATENT AND TRADEMARK OFFICE
CERTIFICATE OF CORRECTION

PATENT NO. : Des. 558,847 S
APPLICATION NO. : 29/259393
DATED : January 1, 2008
INVENTOR(S) : William R. McCormick

Page 1 of 1

It is certified that error appears in the above-identified patent and that said Letters Patent is hereby corrected as shown below:

Title Page; item (73); please insert;
BRUNSWICK BOWLING AND BILLIARDS CORPORATION
Lake Forest, Illinois

Signed and Sealed this

Twenty-eighth Day of October, 2008

A handwritten signature in black ink that reads "Jon W. Dudas". The signature is written in a cursive style with a large, looped initial "J".

JON W. DUDAS

Director of the United States Patent and Trademark Office