



US00D558845S

(12) **United States Design Patent**  
**Morgan**

(10) **Patent No.:** **US D558,845 S**

(45) **Date of Patent:** **\*\* Jan. 1, 2008**

(54) **ADAPTER FOR STRAP TYPE SNOWBOARD BINDING**

*Primary Examiner*—Janice E. Seeger  
*Assistant Examiner*—Zenia I. Bennett  
(74) *Attorney, Agent, or Firm*—Norman R. Rainer

(76) **Inventor:** **Richey Morgan**, P.O. Box 798,  
Hoodsport, WA (US) 98548

(57) **CLAIM**

(\*\*) **Term:** **14 Years**

The ornamental design for an adapter for strap type snowboard binding, as shown and described.

(21) **Appl. No.:** **29/256,681**

(22) **Filed:** **Mar. 24, 2006**

**DESCRIPTION**

(51) **LOC (8) Cl.** ..... **21-02**

(52) **U.S. Cl.** ..... **D21/773; D21/774**

(58) **Field of Classification Search** ..... D21/760–761,  
D21/765–766, 768, 771, 772–777; 441/68–70;  
280/601–606, 609–610, 842, 11.3, 11.31;  
D2/904

See application file for complete search history.

FIG. 1 is a perspective front and right side view of an adapter for strap type snowboard binding showing my new design, and shown in association with a snowboard binding depicted in phantom outline and not a part of this design;

FIG. 2 is a right side view thereof;

FIG. 3 is a left side view thereof;

FIG. 4 is a front view thereof;

FIG. 5 is a top view thereof showing the adapter in its closed state;

FIG. 6 is a top view thereof showing the adapter in its open state;

FIG. 7 is a rear view thereof;

FIG. 8 is a bottom view thereof; and,

FIG. 9 is a sectional view taken in the direction of the arrows upon the line 9–9 of FIG. 5.

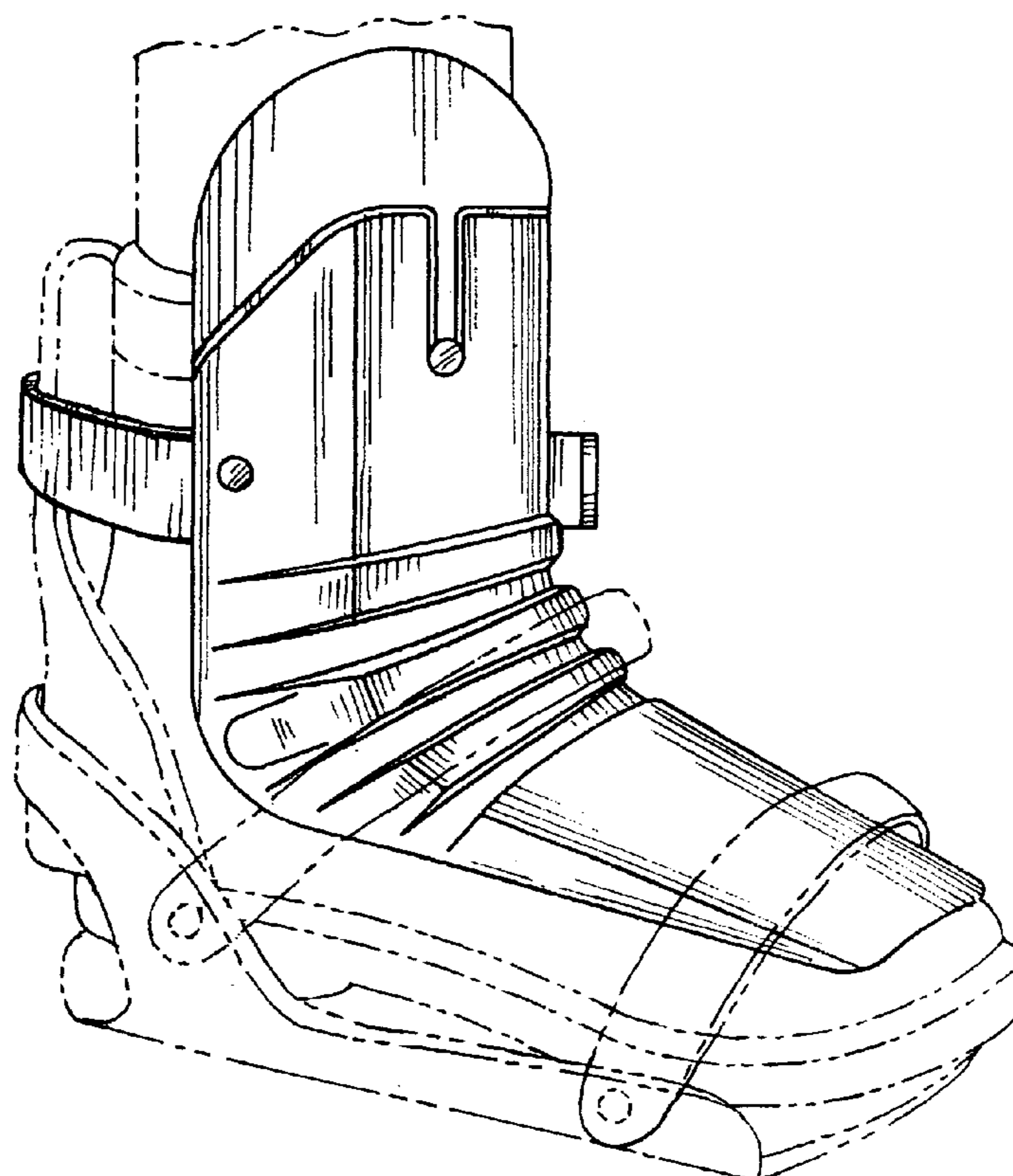
(56) **References Cited**

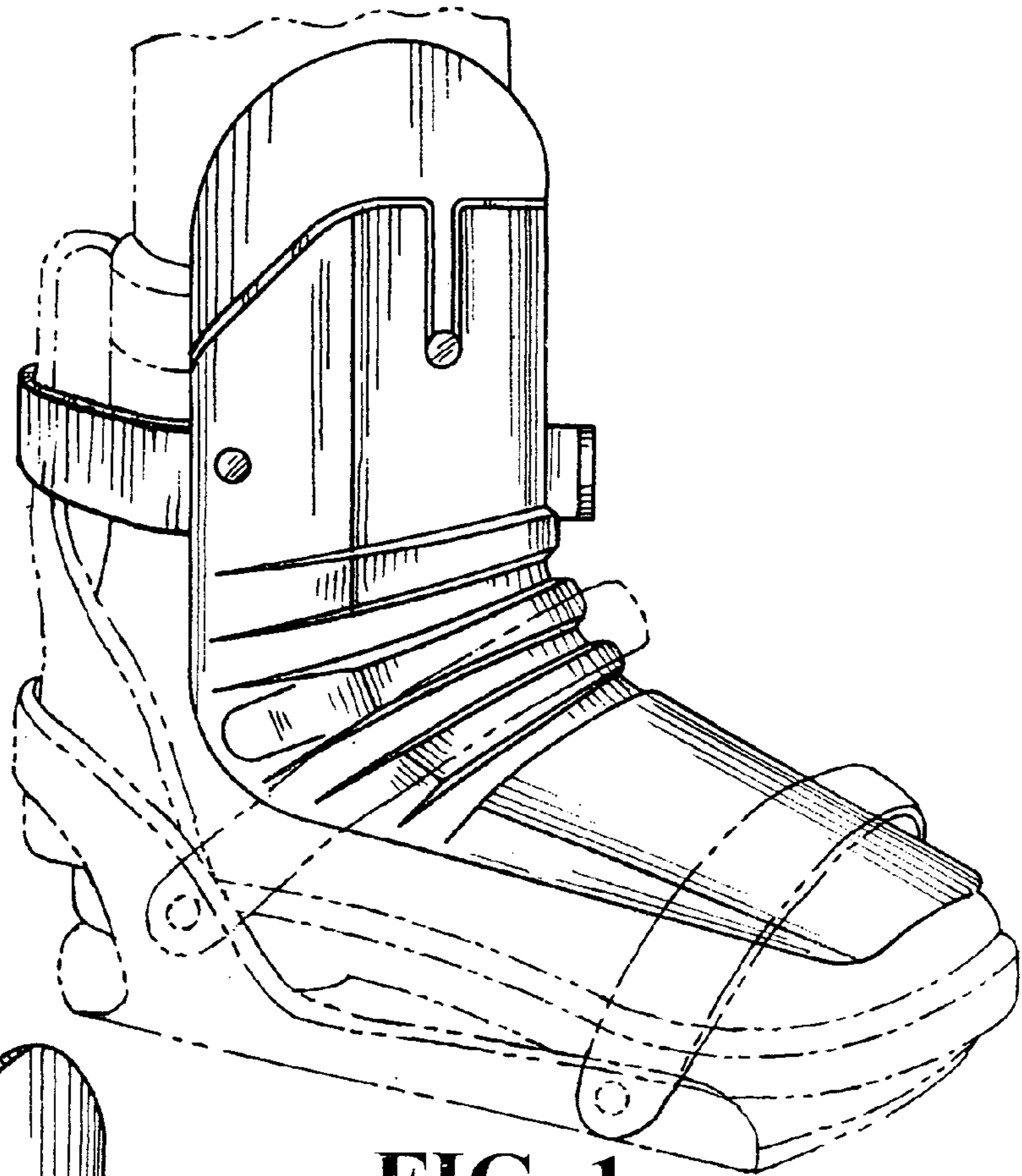
**U.S. PATENT DOCUMENTS**

3,898,749	A *	8/1975	Famolare, Jr.	36/100
D275,813	S *	10/1984	Sartor	D2/904
D344,119	S *	2/1994	Johnson et al.	D21/764
5,472,218	A *	12/1995	Pratt	280/11.209
D529,115	S *	9/2006	Stryjak et al.	D21/771
2002/0163146	A1 *	11/2002	Bennett	280/11.221
2003/0205871	A1 *	11/2003	Coburn	280/11.3
2004/0239057	A1 *	12/2004	Borel et al.	280/11.26

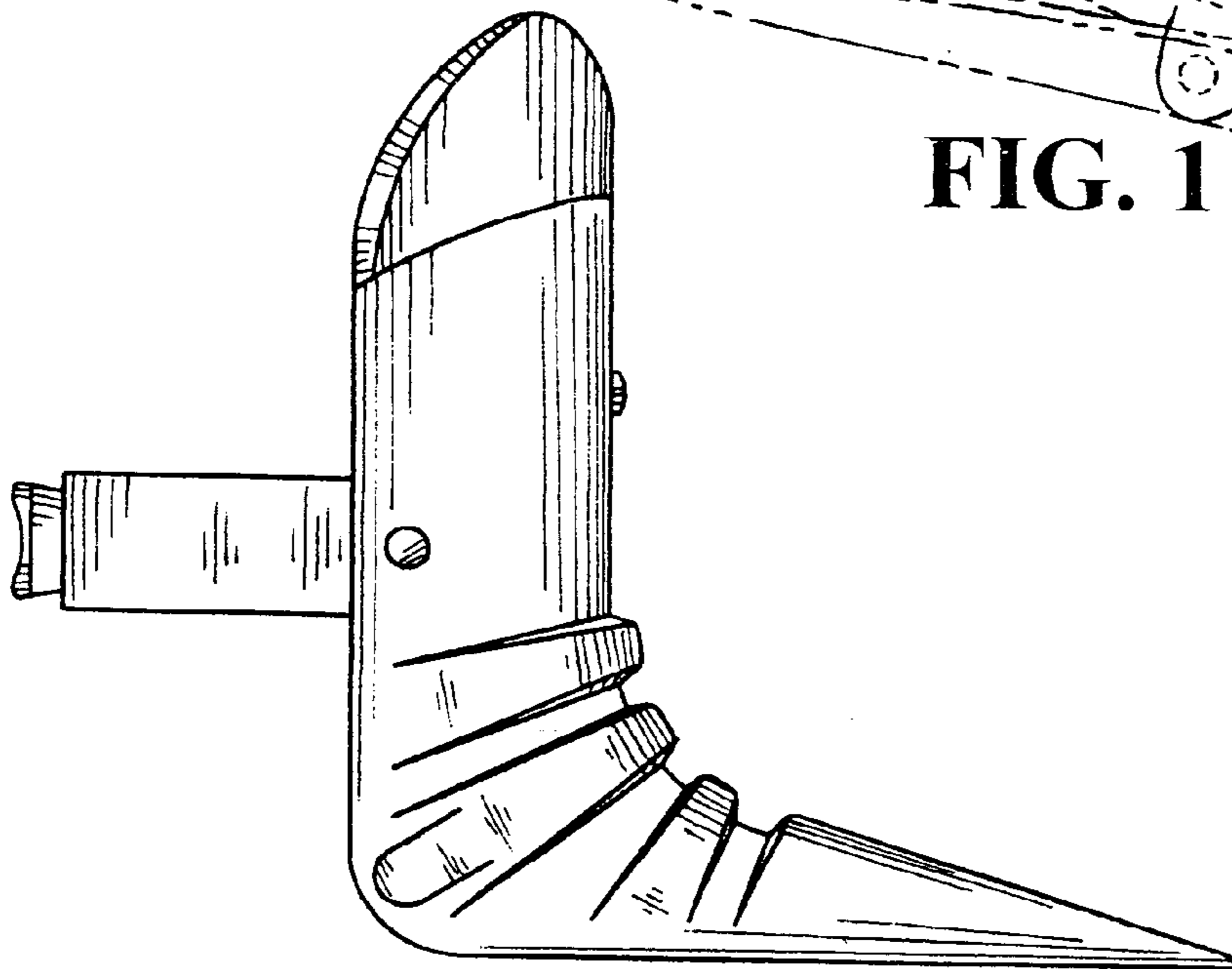
\* cited by examiner

**1 Claim, 4 Drawing Sheets**





**FIG. 1**



**FIG. 2**

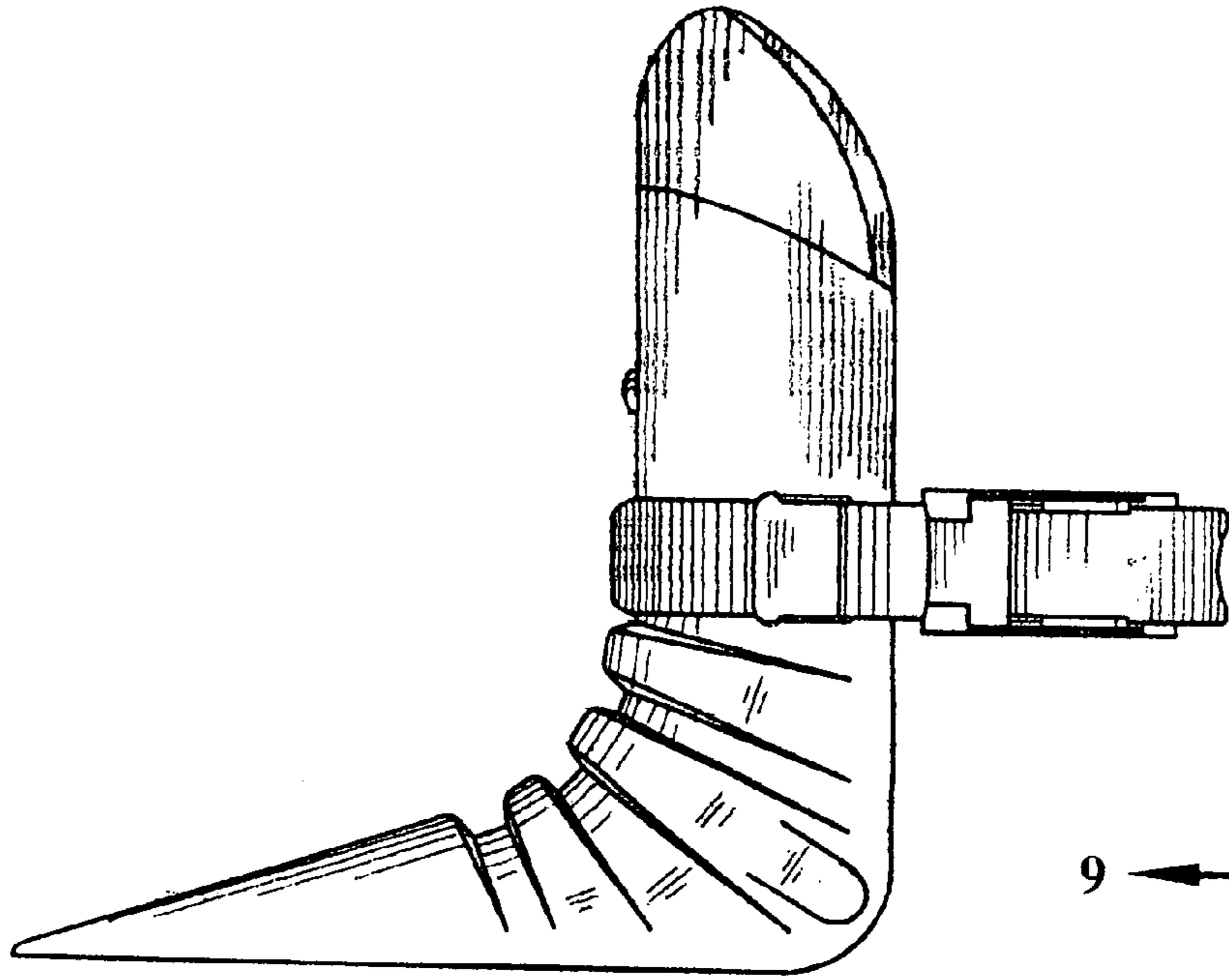


FIG. 3

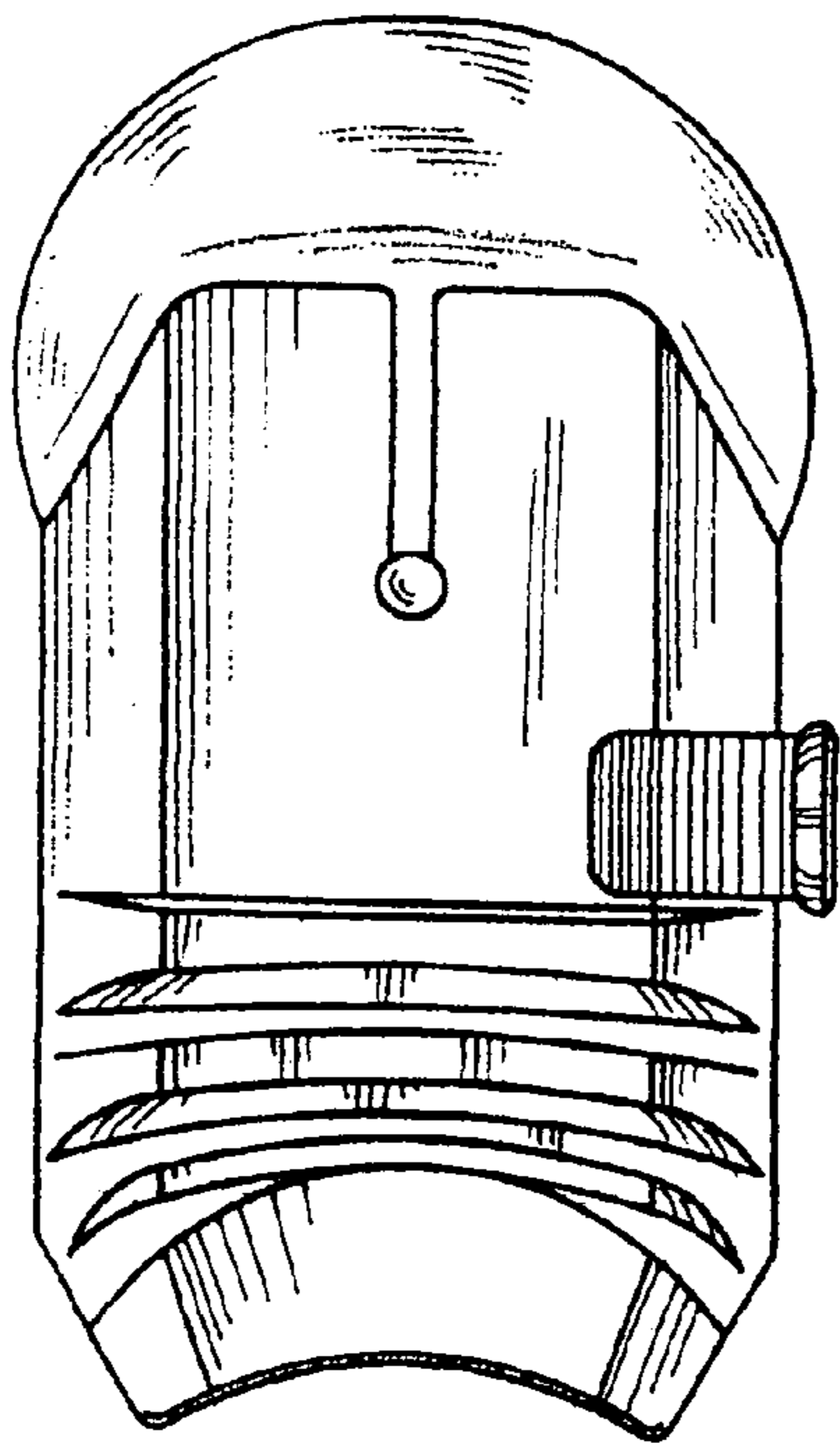


FIG. 4

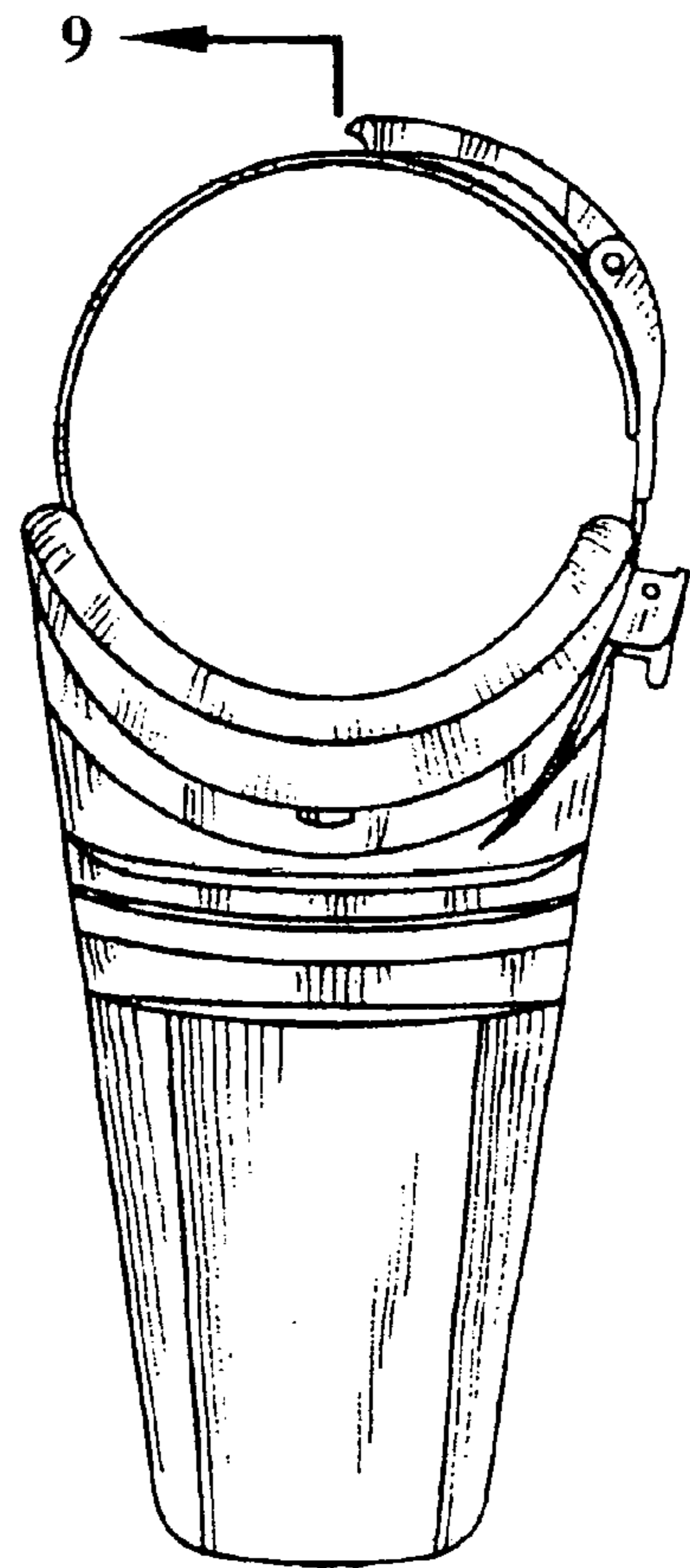
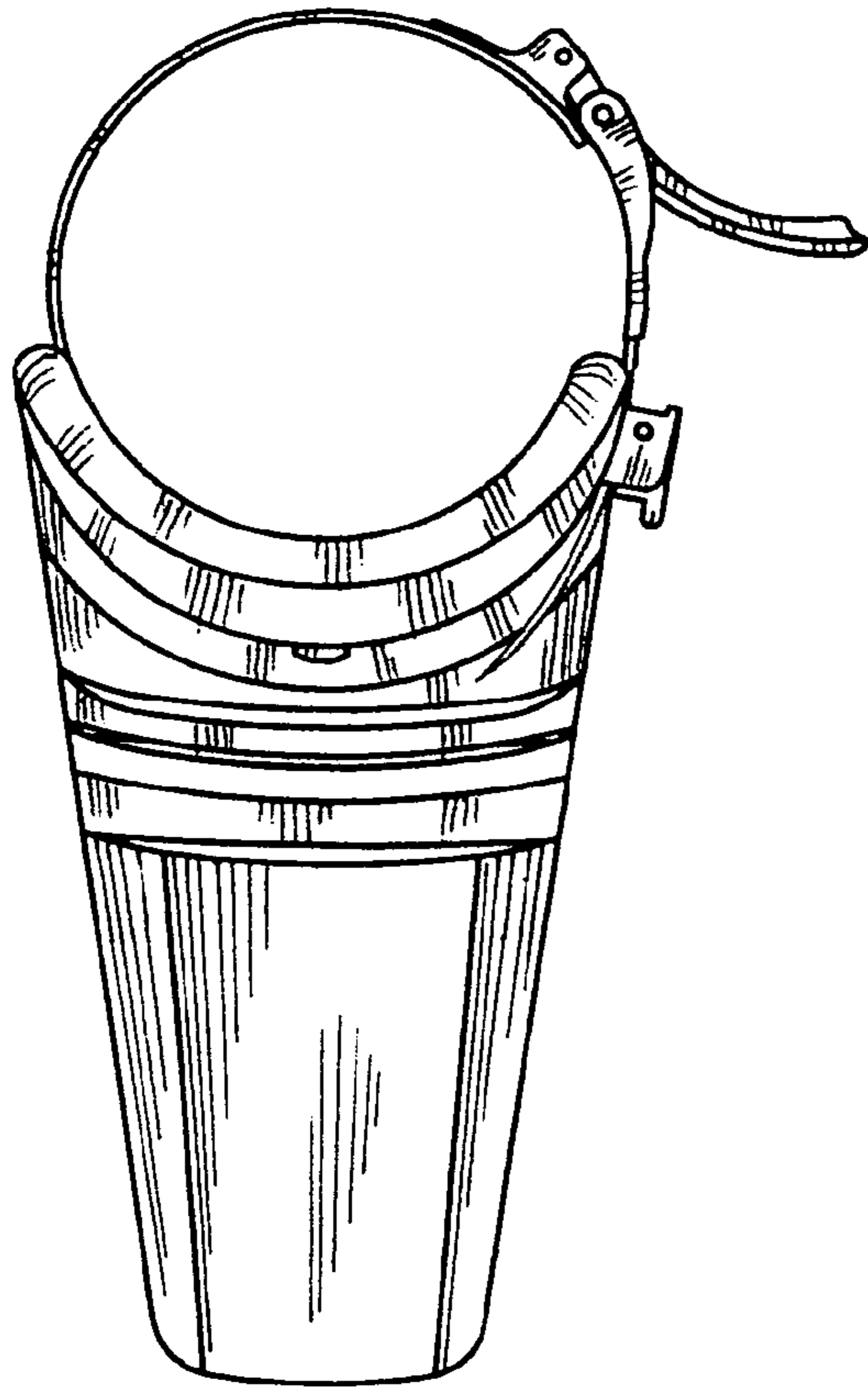
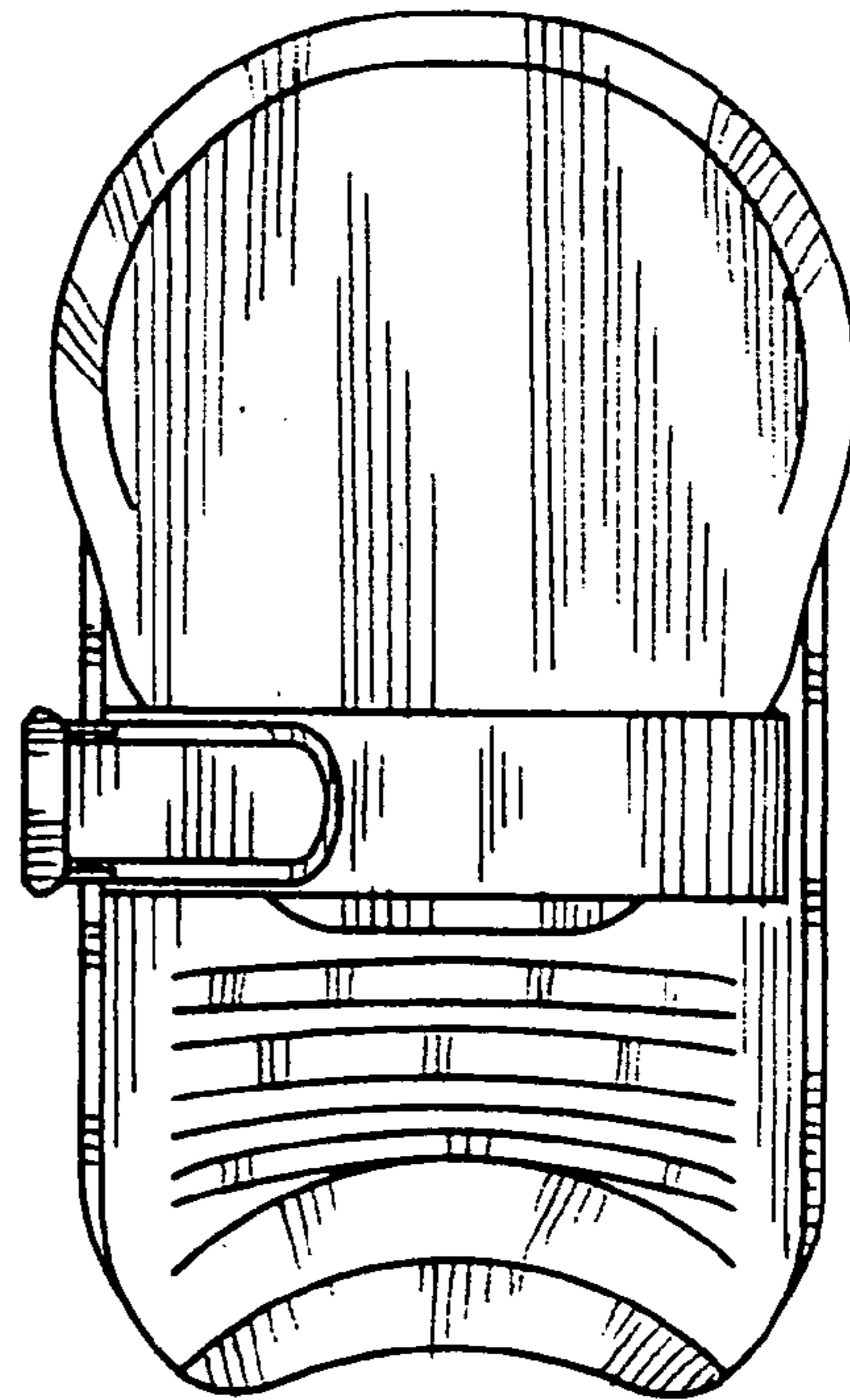


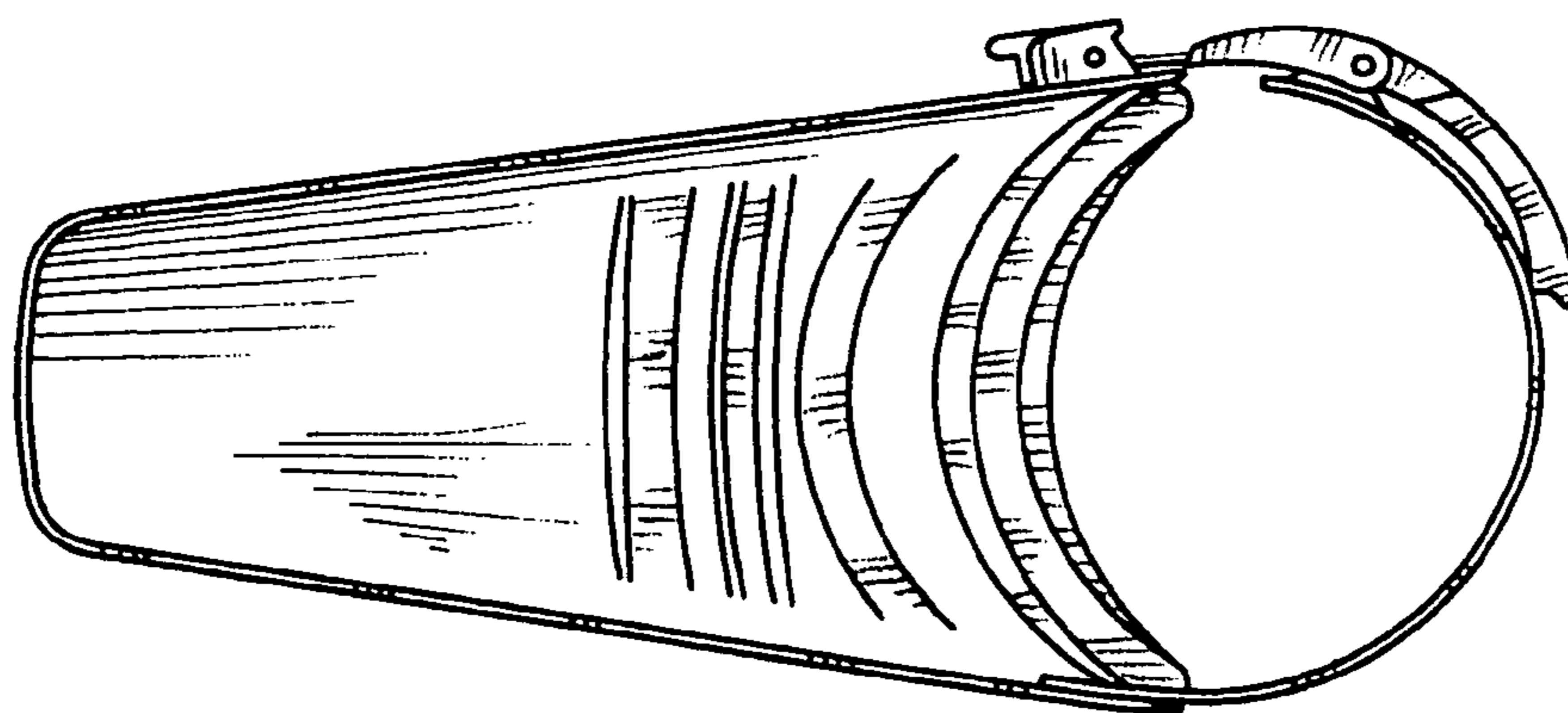
FIG. 5



**FIG. 6**



**FIG. 7**



**FIG. 8**

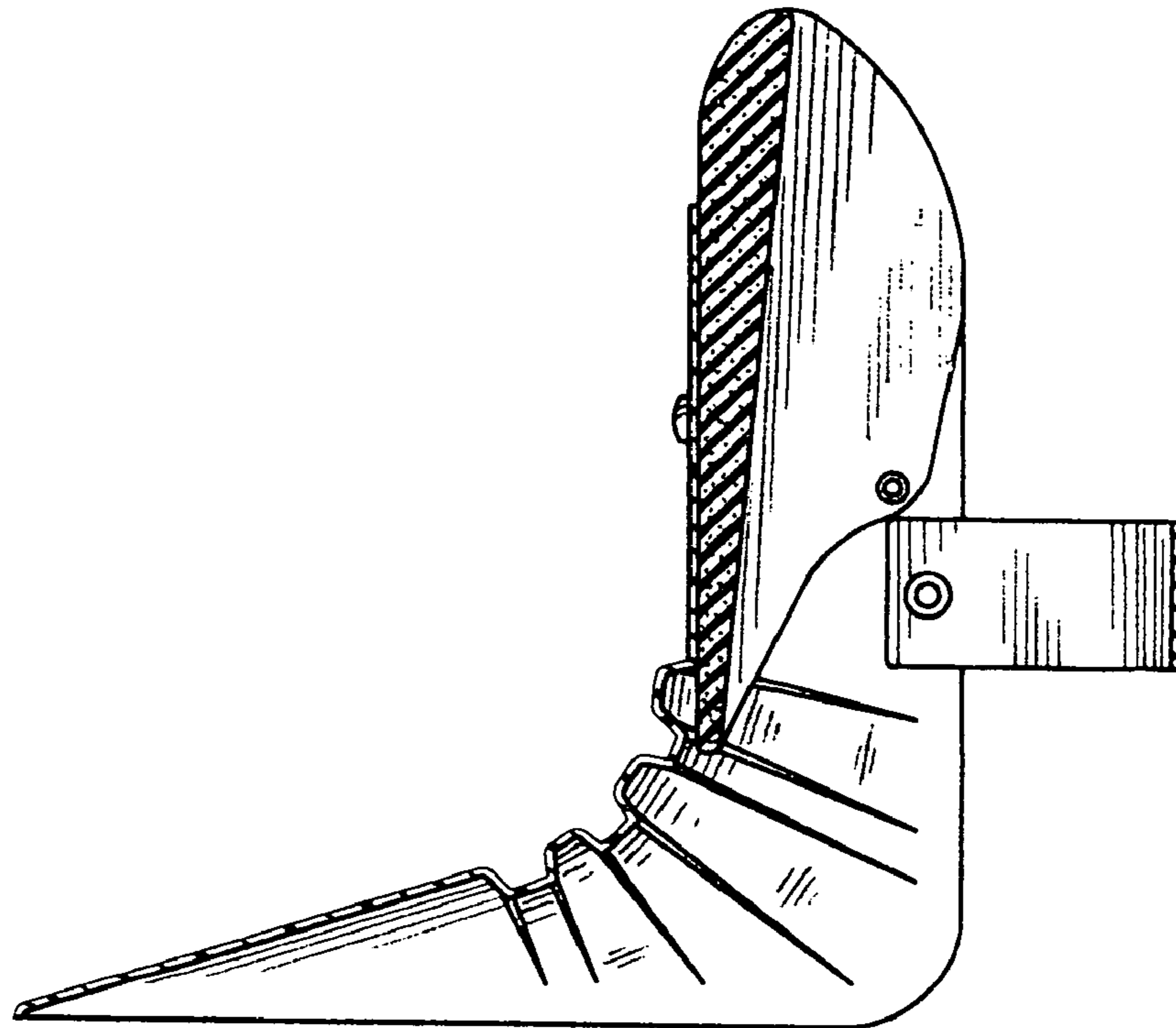


FIG. 9