



US00D558837S

(12) **United States Design Patent**
Orr

(10) **Patent No.:** **US D558,837 S**

(45) **Date of Patent:** **** Jan. 1, 2008**

(54) **FLAME SIDED POINT AND DROP TAIL PAINTBALL MARKER**

(76) Inventor: **Jeffrey G. Orr**, 3779 Trinity Cir.,
Corona, CA (US) 92881

(**) Term: **14 Years**

(21) Appl. No.: **29/258,607**

(22) Filed: **Apr. 24, 2006**

(51) **LOC (8) Cl.** **21-01**

(52) **U.S. Cl.** **D21/573**

(58) **Field of Classification Search** D21/567,
D21/570-575; D22/100, 101, 103, 104,
D22/108, 109; 124/41.1, 45, 49, 51.1, 55,
124/56, 69, 70-74, 79

See application file for complete search history.

(56) **References Cited**

U.S. PATENT DOCUMENTS

2,550,887 A	5/1951	Tratsch	124/1
3,273,553 A	9/1966	Doyle	124/3
4,207,799 A	6/1980	Tocco	89/196
4,589,327 A	5/1986	Smith	89/148
4,819,609 A	4/1989	Tippmann	124/72
5,078,118 A	1/1992	Perrone	124/74
5,228,427 A	7/1993	Gardner, Jr.	124/71
5,280,778 A	1/1994	Kotsiopoulos	124/73
5,349,939 A	9/1994	Perrone	124/76
5,370,105 A	12/1994	Firman	124/56
5,462,042 A	10/1995	Grenwell	124/76
5,503,137 A	4/1996	Fusco	124/72
5,634,456 A	6/1997	Perrone	124/76
5,878,736 A	3/1999	Lotuaco, III	124/71
5,881,707 A	3/1999	Gardner, Jr.	124/77
5,967,133 A	10/1999	Gardner, Jr.	124/77
6,003,504 A	12/1999	Rice et al.	124/73
6,048,280 A	4/2000	Palmer et al.	473/416
6,065,460 A	5/2000	Lotuaco, III	124/72
6,138,656 A	10/2000	Rice et al.	124/73

6,142,137 A	11/2000	MacLaughlin	124/72
6,439,217 B1	8/2002	Shih	124/77
6,494,194 B2	12/2002	Shipachev et al.	124/73
6,532,949 B1	3/2003	McKendrick	124/77
6,550,468 B1	4/2003	Tippmann, Jr.	124/71
6,590,386 B1	7/2003	Williams	324/178
6,629,379 B1	10/2003	Doiron	42/70.11
6,637,421 B2	10/2003	Smith et al.	124/77
D482,081 S *	11/2003	Chang	D21/573
D482,082 S *	11/2003	Chang	D21/573
D482,414 S *	11/2003	Carpenter	D21/573
D482,743 S *	11/2003	Chang	D21/573
6,694,963 B1	2/2004	Taylor	124/32
6,763,822 B1	7/2004	Styles	124/77
6,802,306 B1	10/2004	Rice	124/74
D512,110 S *	11/2005	Broesma	D21/573
D513,773 S *	1/2006	Orr	D21/573
2003/0178018 A1	9/2003	Cherry	124/76

* cited by examiner

Primary Examiner—Holly H. Baynham

Assistant Examiner—Cynthia M. Chin

(74) *Attorney, Agent, or Firm*—Keisling Pieper & Scott
PLC; David B. Pieper; Trent C. Keisling

(57) **CLAIM**

The ornamental design for a flame sided point and drop tail paintball marker, as shown and described.

DESCRIPTION

FIG. 1 is a right side view of a flame sided point and drop tail paintball marker showing my new design;

FIG. 2 is a left side view thereof;

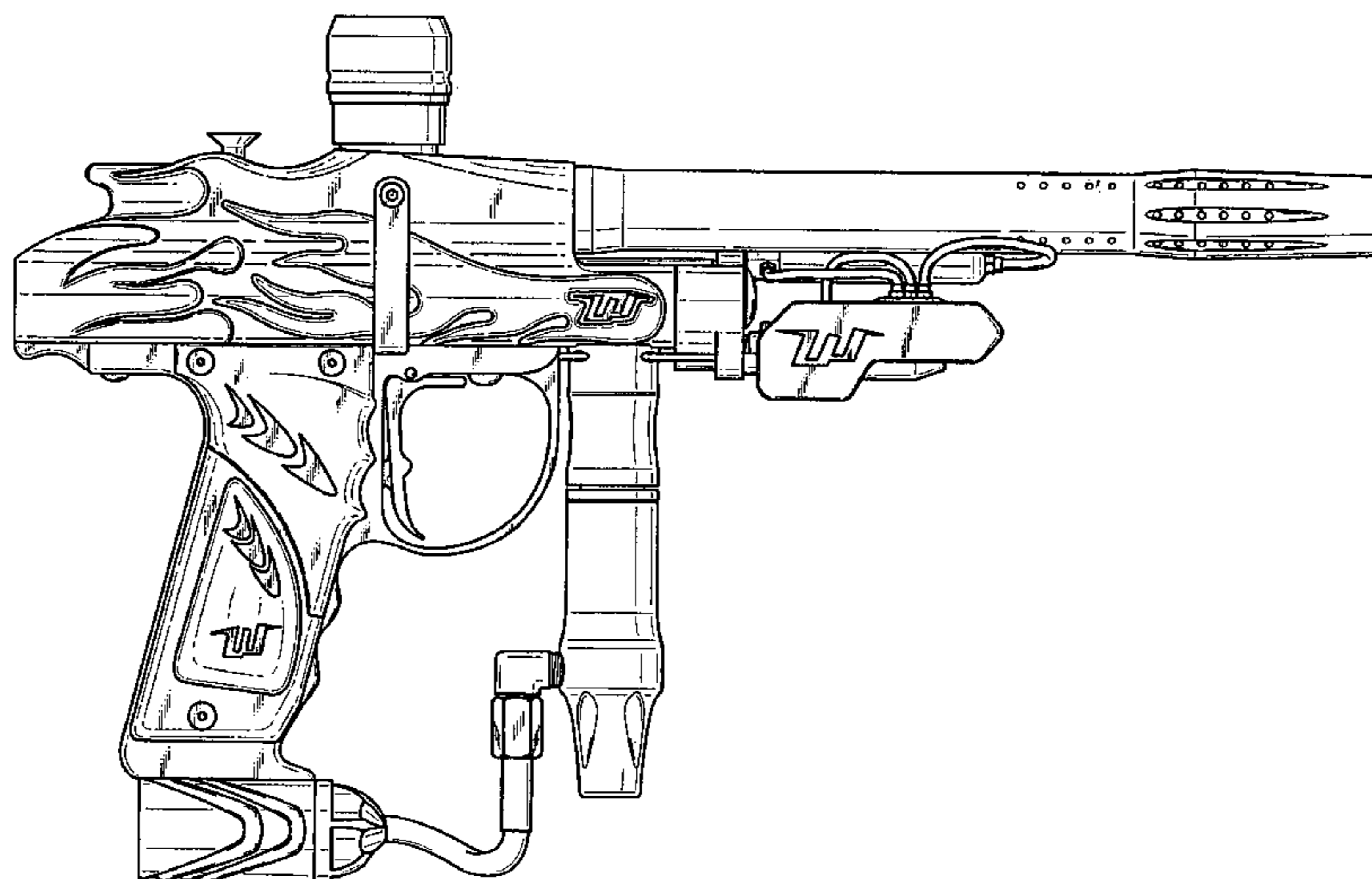
FIG. 3 is a top view thereof;

FIG. 4 is a bottom view thereof;

FIG. 5 is a back view thereof; and,

FIG. 6 is a front view thereof.

1 Claim, 4 Drawing Sheets



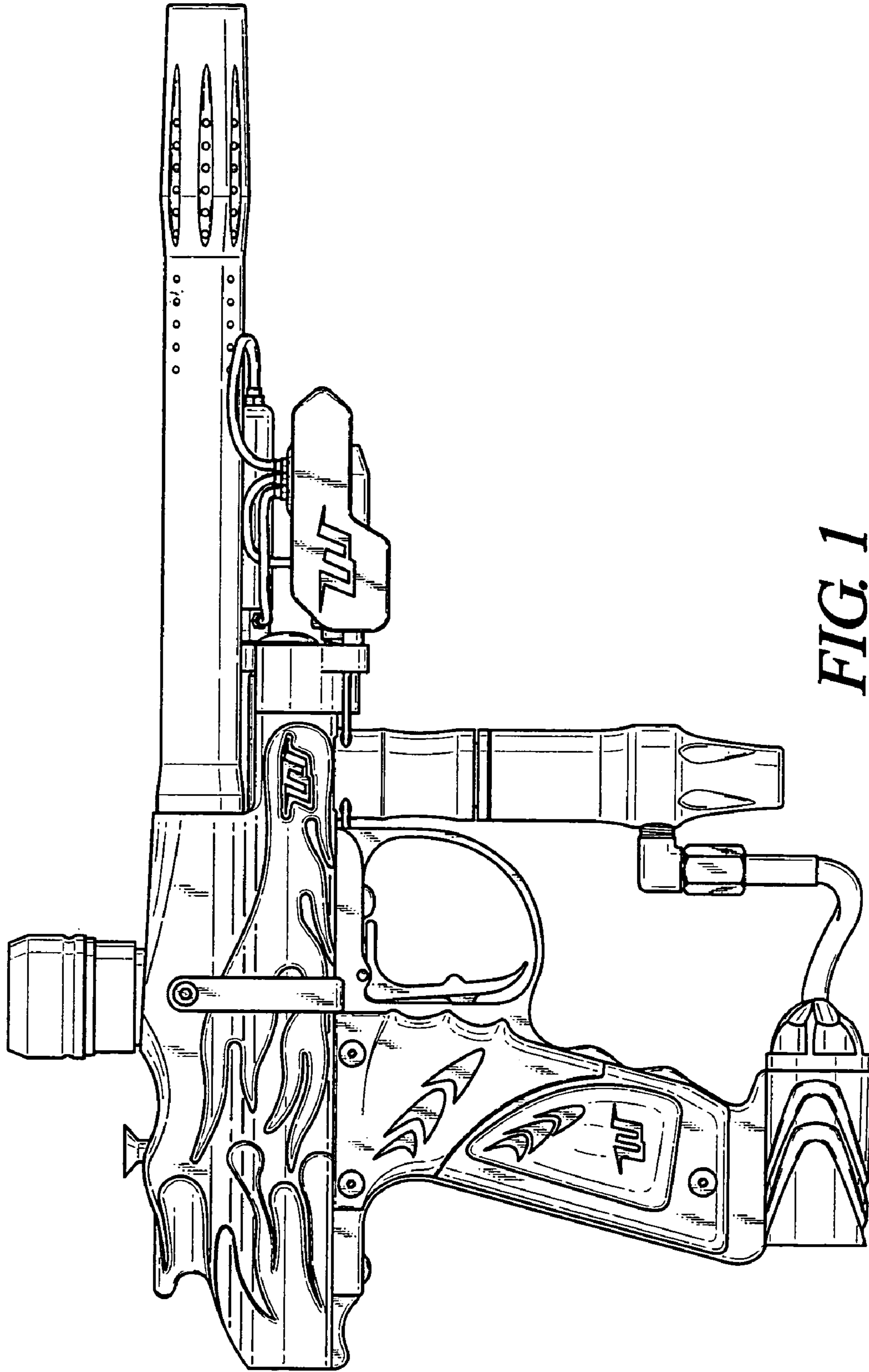


FIG. 1

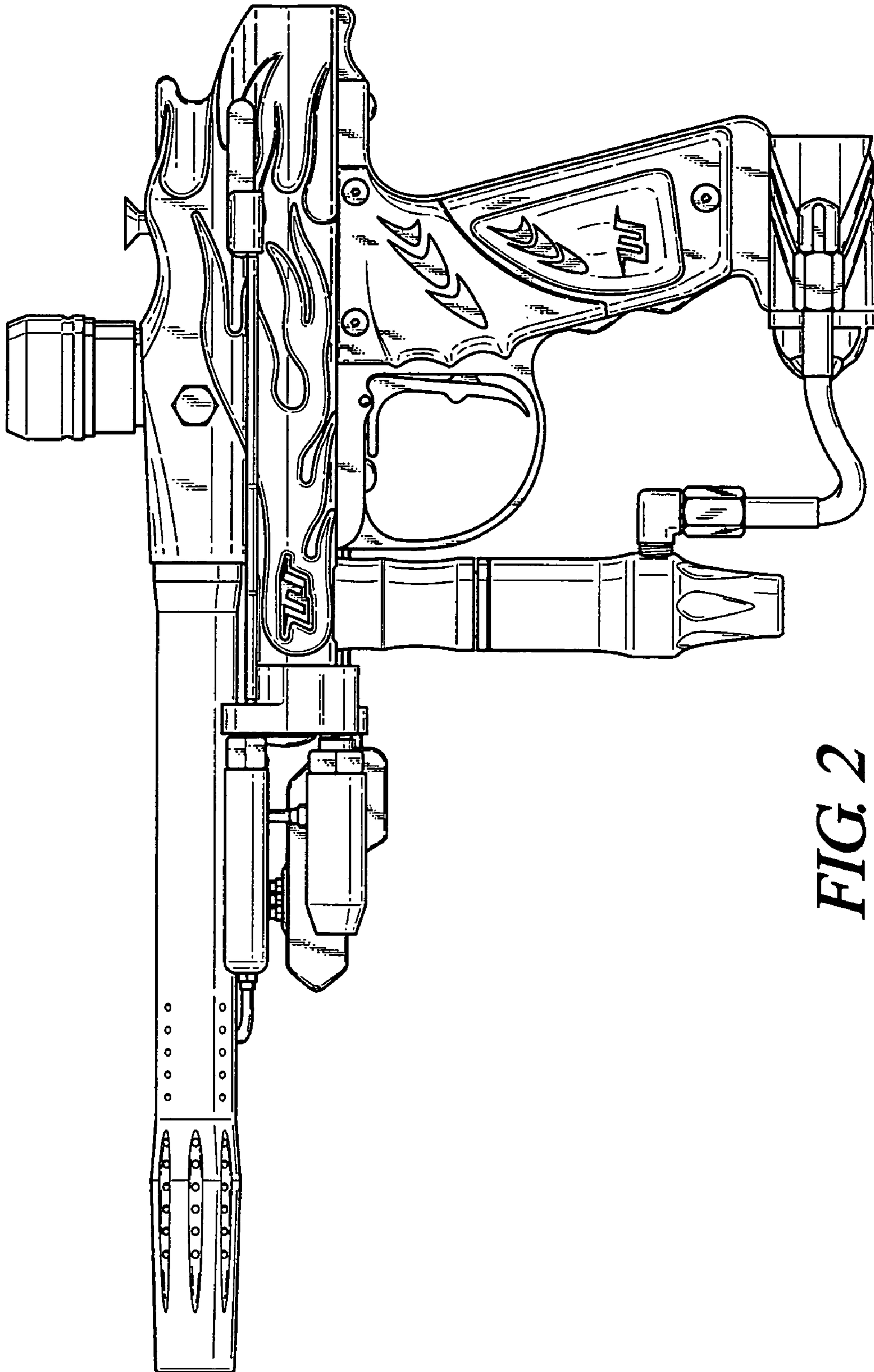


FIG. 2

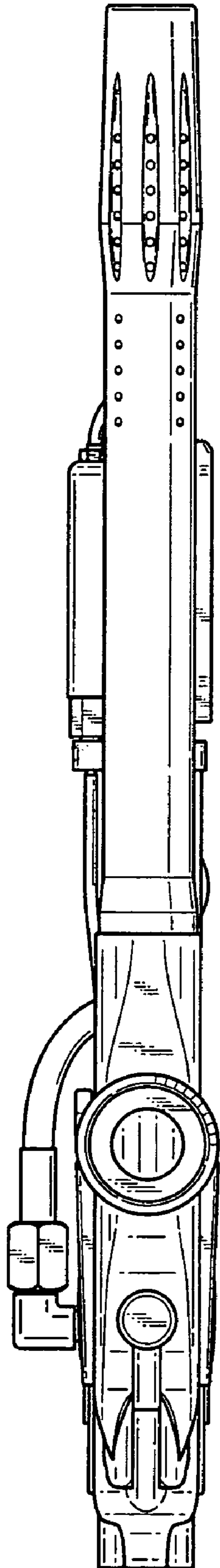


FIG. 3

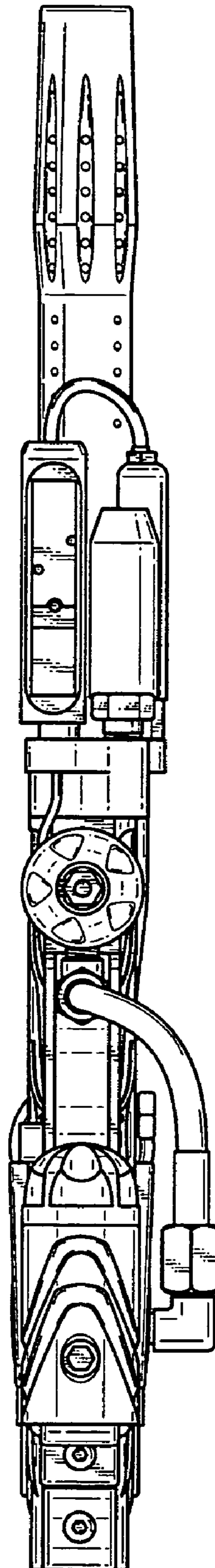


FIG. 4

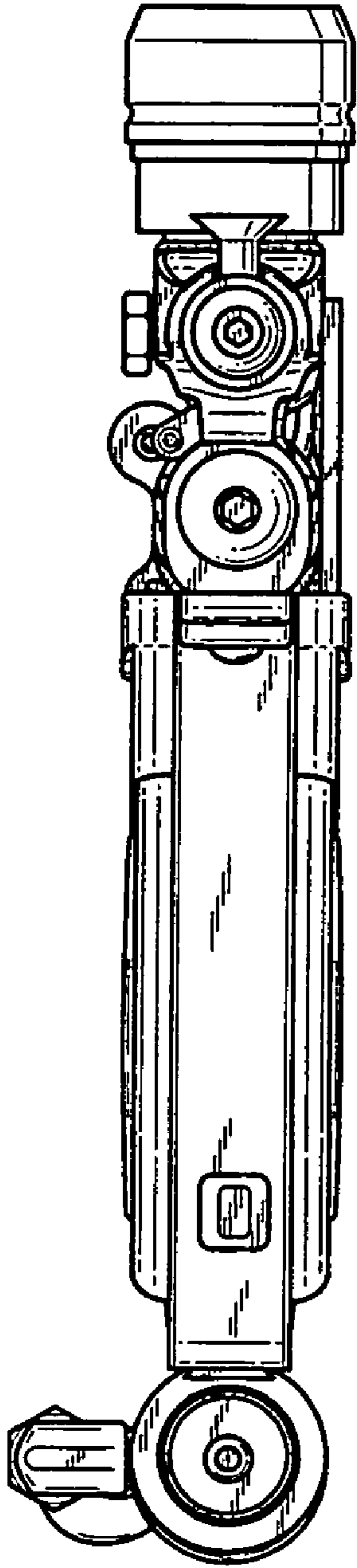


FIG. 5

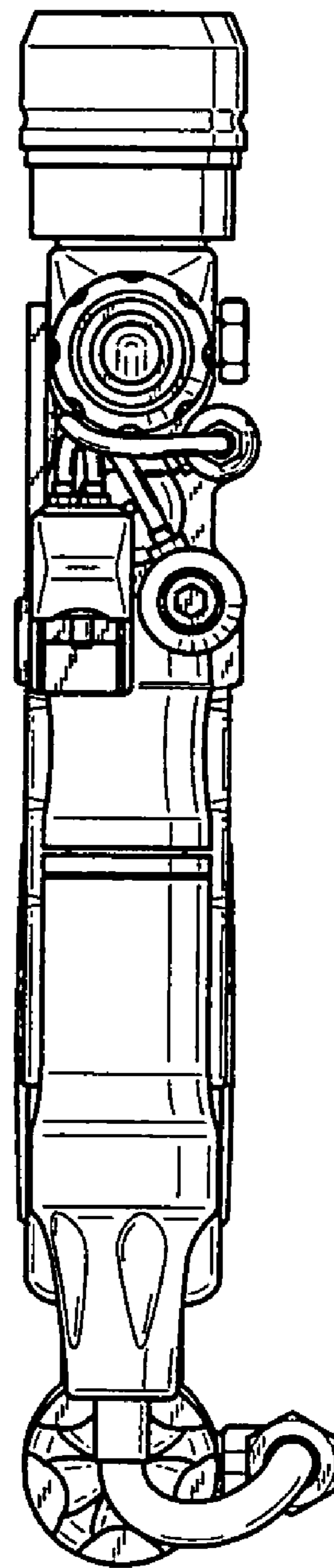


FIG. 6