



US00D558835S

(12) **United States Design Patent**  
**Zielinski**

(10) **Patent No.:** **US D558,835 S**  
(45) **Date of Patent:** **\*\* Jan. 1, 2008**

(54) **GAMING SYSTEM SYMBOL DISPLAY**

(75) Inventor: **John H. Zielinski**, Reno, NV (US)

(73) Assignee: **IGT**, Reno, NV (US)

(\*\*) Term: **14 Years**

(21) Appl. No.: **29/248,895**

(22) Filed: **Sep. 8, 2006**

(51) **LOC (8) Cl.** ..... **21-01**

(52) **U.S. Cl.** ..... **D21/385; D21/370**

(58) **Field of Classification Search** ..... D21/325,  
D21/329, 369–371, 374, 385; 463/16–17,  
463/20, 25, 42, 46–47

See application file for complete search history.

(56) **References Cited**

**U.S. PATENT DOCUMENTS**

1,978,395 A 10/1934 Groetchen

(Continued)

**FOREIGN PATENT DOCUMENTS**

DE 19873709026 9/1988

(Continued)

**OTHER PUBLICATIONS**

Austin Powers in Goldmember™ Advertisement written by IGT,  
published in 2003.

(Continued)

*Primary Examiner*—Sandra L. Morris

(74) *Attorney, Agent, or Firm*—Bell, Boyd & Lloyd LLP

(57) **CLAIM**

The ornamental design for a gaming system symbol display,  
as shown and described.

**DESCRIPTION**

FIG. 1 is a front perspective view of a gaming system  
symbol display of my new design, that portion shown in

phantom is not part of the design sought to be patented and  
is provided for environmental purposes only.

FIG. 2 is a left side view of the gaming system symbol  
display of my new design of FIG. 1, the right side being a  
mirror image thereof, that portion shown in phantom is not  
part of the design sought to be patented and is provided for  
environmental purposes only.

FIG. 3 is an front view of the gaming system symbol display  
of my new design of FIG. 1, that portion shown in phantom  
is not part of the design sought to be patented and is provided  
for environmental purposes only.

FIG. 4 is a back view of the gaming system symbol display  
of my new design of FIG. 1, that portion shown in phantom  
is not part of the design sought to be patented and is provided  
for environmental purposes only.

FIG. 5 is a top plan view of the gaming system symbol  
display of my new design of FIG. 1, that portion shown in  
phantom is not part of the design sought to be patented and  
is provided for environmental purposes only.

FIG. 6 is a front perspective view of an alternative embodi-  
ment of the gaming system symbol display of my new  
design, that portion shown in phantom is not part of the  
design sought to be patented and is provided for environ-  
mental purposes only.

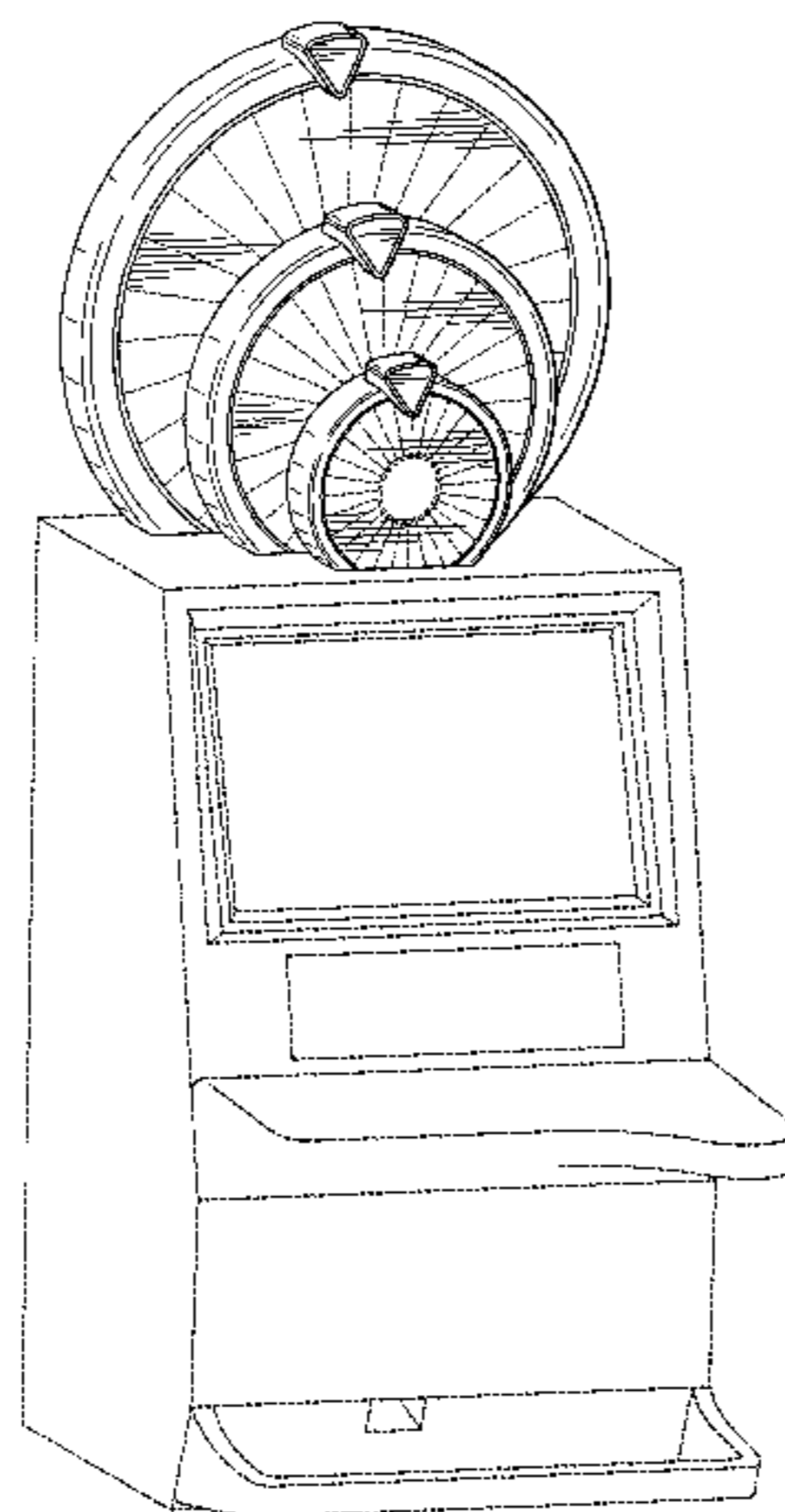
FIG. 7 is a left side view of the alternative gaming system  
symbol display of my new design of FIG. 6, the right side  
being a mirror image thereof, that portion shown in phantom  
is not part of the design sought to be patented and is provided  
for environmental purposes only.

FIG. 8 is an front view of the gaming system symbol display  
of my new design of FIG. 6, that portion shown in phantom  
is not part of the design sought to be patented and is provided  
for environmental purposes only.

FIG. 9 is a back view of the gaming system symbol display  
of my new design of FIG. 6, that portion shown in phantom  
is not part of the design sought to be patented and is provided  
for environmental purposes only; and,

FIG. 10 is a top plan view of the gaming system symbol  
display of my new design of FIG. 6, that portion shown in  
phantom is not part of the design sought to be patented and  
is provided for environmental purposes only.

**1 Claim, 10 Drawing Sheets**



# US D558,835 S

U.S. PATENT DOCUMENTS					
			6,322,309 B1	11/2001	Thomas et al.
			6,334,814 B1	1/2002	Adams
2,077,124 A	4/1937	Miller et al.	6,336,863 B1	1/2002	Baerlocher et al.
3,420,525 A	1/1969	Waders	6,343,988 B1	2/2002	Walker et al.
3,642,287 A	2/1972	Lally et al.	6,364,767 B1	4/2002	Brossard et al.
3,645,531 A	2/1972	Wright	6,375,187 B1	4/2002	Baerlocher
3,735,987 A	5/1973	Ohki	6,386,974 B1	5/2002	Adams
4,198,052 A	4/1980	Gauselmann	6,398,220 B1	6/2002	Inoue
4,326,351 A	4/1982	Heywood et al.	6,439,995 B1	8/2002	Hughs-Baird
4,346,900 A	8/1982	Lamlee	D462,397 S	9/2002	Baker et al.
4,448,419 A	5/1984	Telnaes	6,464,582 B1	10/2002	Baerlocher et al.
4,492,378 A	1/1985	Williams	6,506,117 B2	1/2003	DeMar et al.
4,695,053 A	9/1987	Vazquez, Jr. et al.	6,506,118 B1	1/2003	Baerlocher et al.
4,826,169 A	5/1989	Bessho et al.	D473,270 S	4/2003	Seelig et al.
5,152,529 A	10/1992	Okada	6,572,473 B1	6/2003	Baerlocher
5,184,821 A	2/1993	Korenek	6,589,114 B2	7/2003	Rose
5,188,363 A	2/1993	Marnell, II et al.	6,659,864 B2	12/2003	McGahn et al.
5,259,616 A	11/1993	Bergmann	6,663,488 B1	12/2003	Adams
5,292,127 A	3/1994	Kelly et al.	6,676,512 B2	1/2004	Fong et al.
5,364,100 A	11/1994	Ludlow et al.	D486,869 S	2/2004	Webb et al.
5,395,111 A	3/1995	Inoue	D487,582 S	3/2004	McGahn et al.
5,536,016 A	7/1996	Thompson	6,705,944 B2	3/2004	Luciano
5,553,851 A	9/1996	Malavazos et al.	6,715,756 B2	4/2004	Inoue
5,580,309 A	12/1996	Piechowiak et al.	6,726,204 B2	4/2004	Inoue
5,584,763 A	12/1996	Kelly et al.	6,726,563 B1	4/2004	Baerlocher et al.
5,584,764 A	12/1996	Inoue	6,793,577 B1	9/2004	Wilkins et al.
5,639,089 A	6/1997	Matsumoto et al.	D496,968 S	10/2004	Baerlocher
5,647,798 A	7/1997	Falciglia	6,855,052 B2	2/2005	Weiss et al.
D392,340 S	3/1998	DeSimone	D503,751 S	4/2005	Kaminkow et al.
5,752,881 A	5/1998	Inoue	D503,951 S	4/2005	Karstens
5,755,619 A	5/1998	Matsumoto et al.	6,899,625 B2	5/2005	Luciano, Jr. et al.
5,775,692 A	7/1998	Watts et al.	6,905,407 B2 *	6/2005	Nordman ..... 463/20
5,788,573 A	8/1998	Baerlocher et al.	D510,752 S	10/2005	Baerlocher
5,848,932 A	12/1998	Adams	D511,549 S	11/2005	Kaminkow et al.
5,879,235 A	3/1999	Kaneko et al.	D512,464 S	12/2005	Karstens
5,882,261 A	3/1999	Adams	D512,465 S	12/2005	Karstens
5,911,418 A	6/1999	Adams	6,988,731 B2	1/2006	Inoue
D412,347 S	7/1999	DeSimone et al.	7,021,624 B2	4/2006	Luciano et al.
5,947,820 A	9/1999	Morro et al.	D524,380 S *	7/2006	Seelig et al. .... D21/370
5,951,397 A	9/1999	Dickinson	2002/0072402 A1	6/2002	Baerlocher
5,980,384 A	11/1999	Barrie	2002/0142822 A1	10/2002	Baerlocher et al.
5,984,782 A	11/1999	Inoue	2002/0183109 A1	12/2002	McGahn et al.
6,004,207 A	12/1999	Wilson, Jr. et al.	2003/0027623 A1	2/2003	Rose et al.
6,015,346 A	1/2000	Bennett	2003/0040355 A1	2/2003	Baerlocher
6,027,115 A	2/2000	Griswold et al.	2003/0040360 A1	2/2003	Kaminkow
6,033,307 A	3/2000	Vancura	2003/0060277 A1	3/2003	Webb et al.
6,039,649 A	3/2000	Schulze	2003/0064796 A1	4/2003	Glavich et al.
6,039,976 A	3/2000	Mehra et al.	2003/0078093 A1	4/2003	Simms
6,059,289 A	5/2000	Vancura	2003/0078096 A1	4/2003	Kaminkow
6,059,658 A	5/2000	Mangano et al.	2003/0119583 A1	6/2003	Kaminkow et al.
6,082,734 A	7/2000	Uehara et al.	2003/0162578 A1	8/2003	Baerlocher et al.
6,086,066 A	7/2000	Takeuchi et al.	2003/0162579 A1	8/2003	Gauselmann
6,089,978 A	7/2000	Adams	2003/0162584 A1	8/2003	Hugh-Baird
6,095,921 A	8/2000	Walker et al.	2003/0190957 A1	10/2003	Tanskanen
6,102,798 A	8/2000	Bennett	2003/0195027 A1	10/2003	Baerlocher
6,105,962 A	8/2000	Malavazos et al.	2004/0000754 A1	1/2004	Inoue
6,117,009 A	9/2000	Yoseloff	2004/0002372 A1	1/2004	Rodgers et al.
6,142,873 A	11/2000	Weiss et al.	2004/0009807 A1	1/2004	Miller et al.
6,149,156 A	11/2000	Faela	2004/0012145 A1	1/2004	Inoue
6,159,098 A	12/2000	Slomiany et al.	2004/0014516 A1	1/2004	Inoue
6,162,121 A	12/2000	Morro et al.	2004/0014517 A1	1/2004	Inoue
6,168,520 B1	1/2001	Baerlocher et al.	2004/0017041 A1	1/2004	Inoue
6,190,255 B1	2/2001	Thomas et al.	2004/0018866 A1	1/2004	Inoue
6,217,022 B1	4/2001	Astaneha	2004/0026854 A1	2/2004	Inoue
D442,641 S *	5/2001	Seelig et al. .... D21/370	2004/0036218 A1	2/2004	Inoue
6,224,483 B1	5/2001	Mayeroff	2004/0038726 A1	2/2004	Inoue
6,231,442 B1	5/2001	Mayeroff	2004/0048645 A1	3/2004	Webb et al.
6,302,790 B1	10/2001	Brossard	2004/0053660 A1	3/2004	Webb et al.
6,309,299 B1	10/2001	Weiss	2004/0053665 A1	3/2004	Baerlocher
6,309,300 B1	10/2001	Glavich	2004/0082378 A1	4/2004	Peterson et al.
6,315,663 B1	11/2001	Sakamoto	2004/0102237 A1	5/2004	Baerlocher
6,315,664 B1	11/2001	Baerlocher	2004/0121838 A1	6/2004	Hughs-Baird et al.
6,319,124 B1	11/2001	Baerlocher et al.	2004/0147306 A1	7/2004	Randall et al.

2004/0150161 A1 8/2004 Inoue  
 2004/0155399 A1 8/2004 Inoue  
 2004/0183251 A1 9/2004 Inoue

FOREIGN PATENT DOCUMENTS

EP	1 184 822	2/2002
EP	1 653 416	5/2006
GB	2 062 922 A	5/1981
GB	2 090 690	7/1982
GB	2 096 376	10/1982
GB	2 097 160	10/1982
GB	2 100 905	1/1983
GB	2 105 891	3/1983
GB	2 117 155	10/1983
GB	2 137 392	10/1984
GB	2161 008	1/1986
GB	2 170 636	8/1986
GB	2 181 589	4/1987
GB	2 183 882	6/1987
GB	2 191 030	12/1987
GB	2 222 712	3/1990
GB	2 225 889	6/1990
GB	2 226 436	6/1990
GB	2 242 300	9/1991
GB	2 262 642	6/1993
GB	2 322 217	12/1997
GB	2 201 821	9/1998
WO	WO 00/12186	3/2000
WO	WO 00/32286	6/2000

OTHER PUBLICATIONS

Barn Yard Advertisement written by Aristocrat, available prior to Jun. 9, 2003.  
 Barn Yard Article written by Strictly Slots, published in Mar. 2002.

Description of Let's Make a Deal Television Show written by letsmakeadeal.com (2 pages), printed on Mar. 16, 2001.  
 Easy Street Advertisements and Articles written by Casino Data Systems, published in 2000.  
 Gold Fever Advertisements written by Atronic Casino Technology, Ltd., published 1999.  
 Gold Fever Atronic Web Page written by Atronic Casino Technology, Ltd., dated Mar. 2002.  
 Jewel in the Crown Advertisements written by IGT, published in 1999.  
 Jewel in the Crown Advertisements written by Barcrest Ltd., published 1999.  
 Let's Make a Deal Game Advertisement written by Bally Gaming Systems, not dated.  
 Let's Make a Deal geocities.com (2 pages), printed on Mar. 16, 2001.  
 Let's Make a Deal written by fortunecity.com (4 pages), printed on Mar. 21, 2001.  
 Let's Make a Deal written by geocities.com (10 pages), printed on Mar. 21, 2001.  
 Let's Make a Deal written by Illinoislottery.com (1 page), printed on Mar. 21, 2001.  
 Marshall Fey, Slot Machines a pictorial History of the Fifth 100 Years, Fifth Edition, 11 pages.  
 Take Your Pick Article and Brochure, written by Strictly Slots, IGT/Anchor Games, published in 1999.  
 The Deals of Let's Make a Deal written by fortunecity.com (2 pages), printed on Jul. 20, 2004.  
 The Official Let's Make a Deal Website written by Bally Gaming System Website, printed on Mar. 16, 2001.  
 Top Dollar Brochure, written by IGT, published in 1998.  
 Wheel of Fortune Brochure, written by IGT, published in 1998.  
 Wheel of Fortune Brochure, written by IGT, published in 1999.

\* cited by examiner

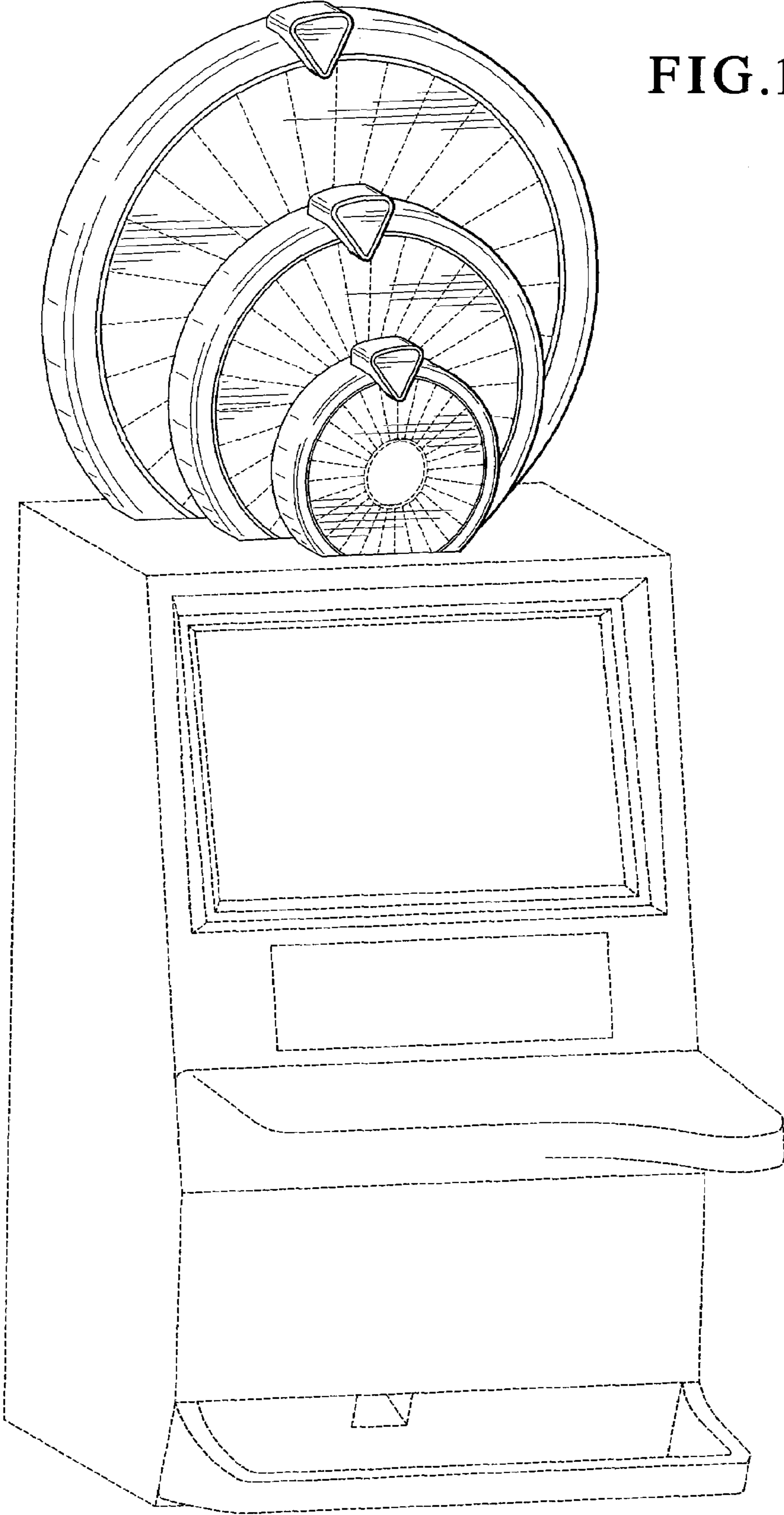


FIG. 1

FIG. 2

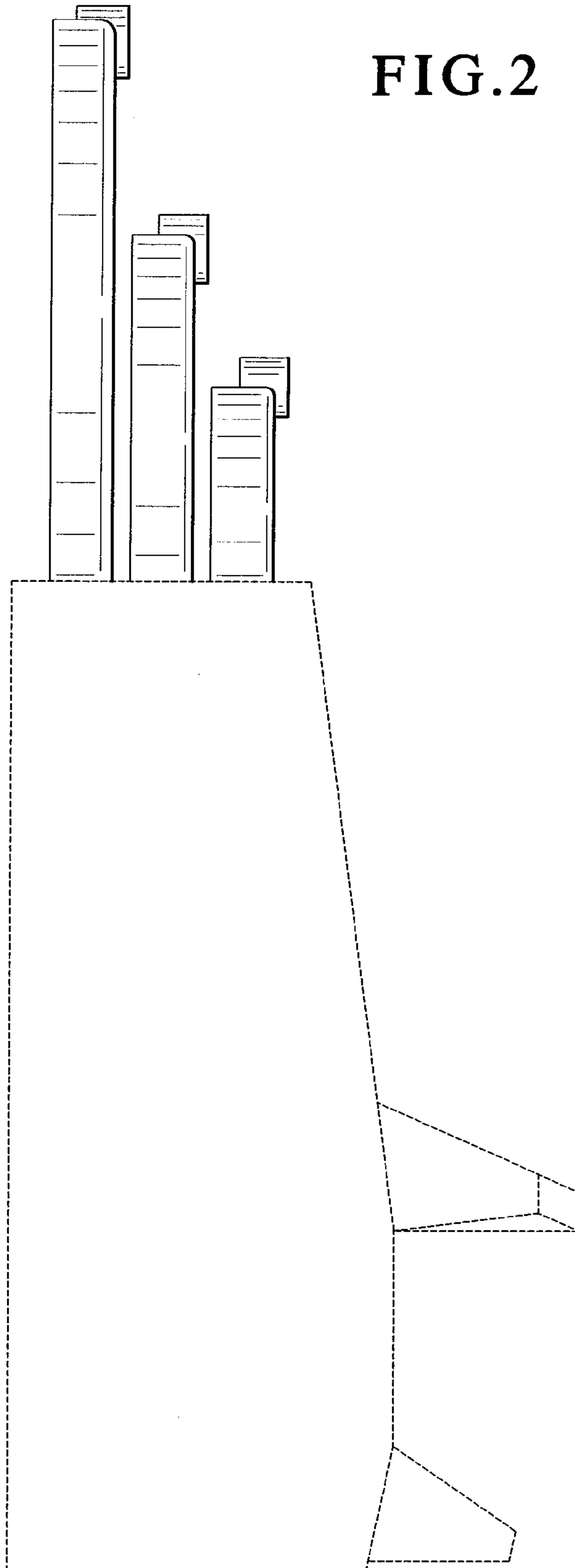


FIG. 3

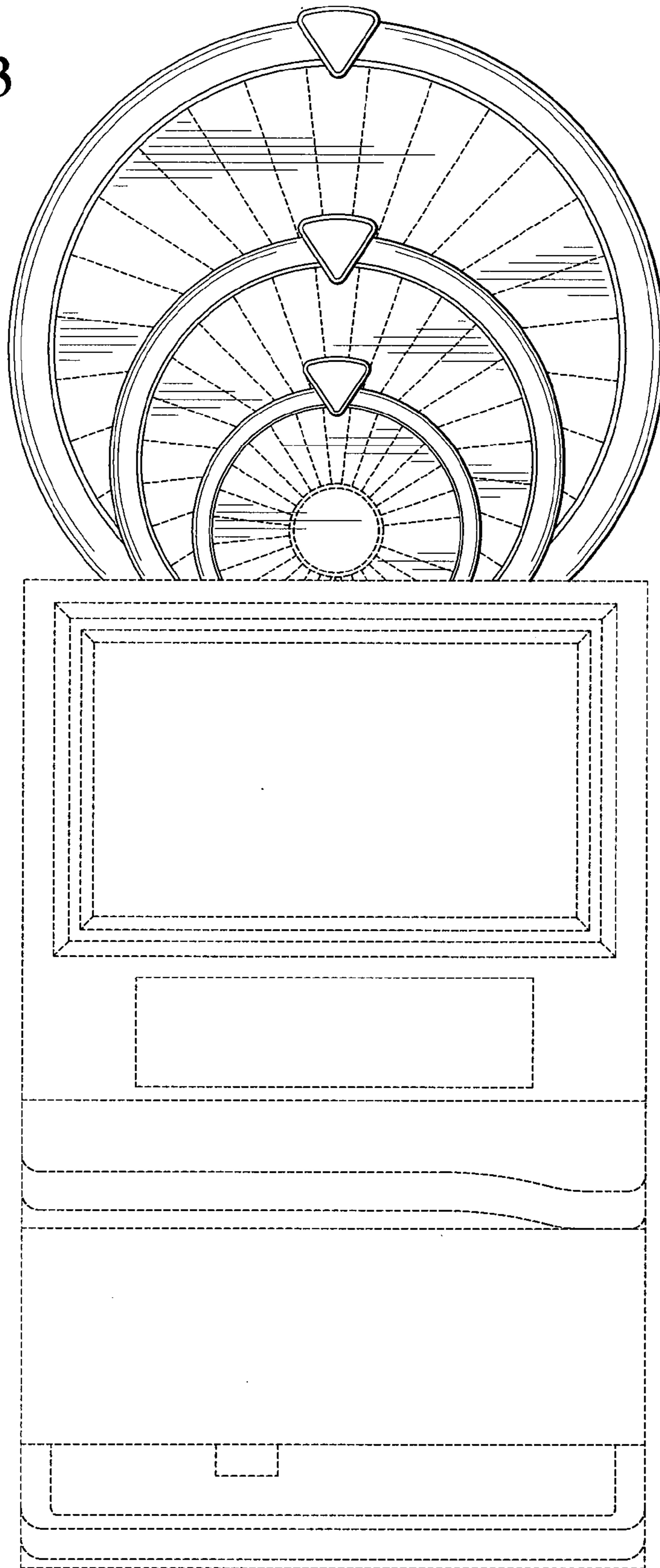


FIG. 4

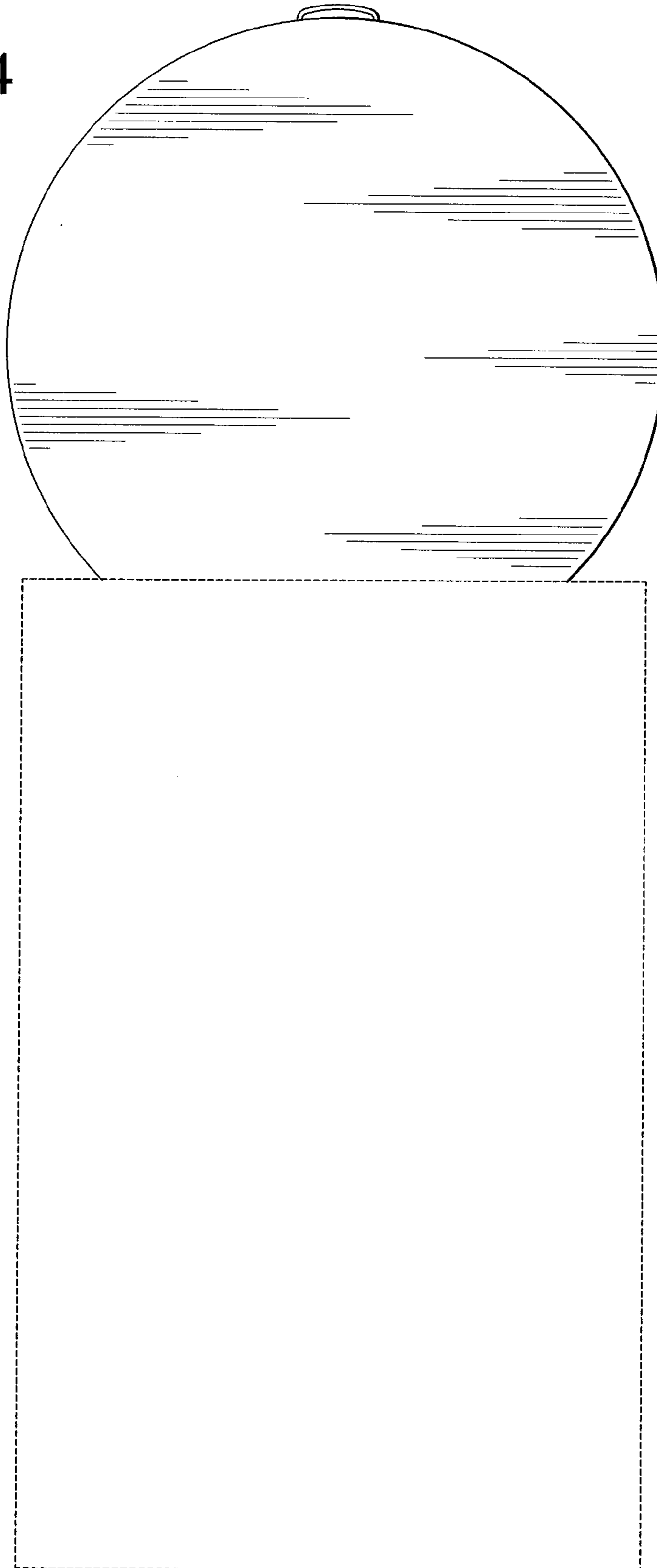


FIG. 5

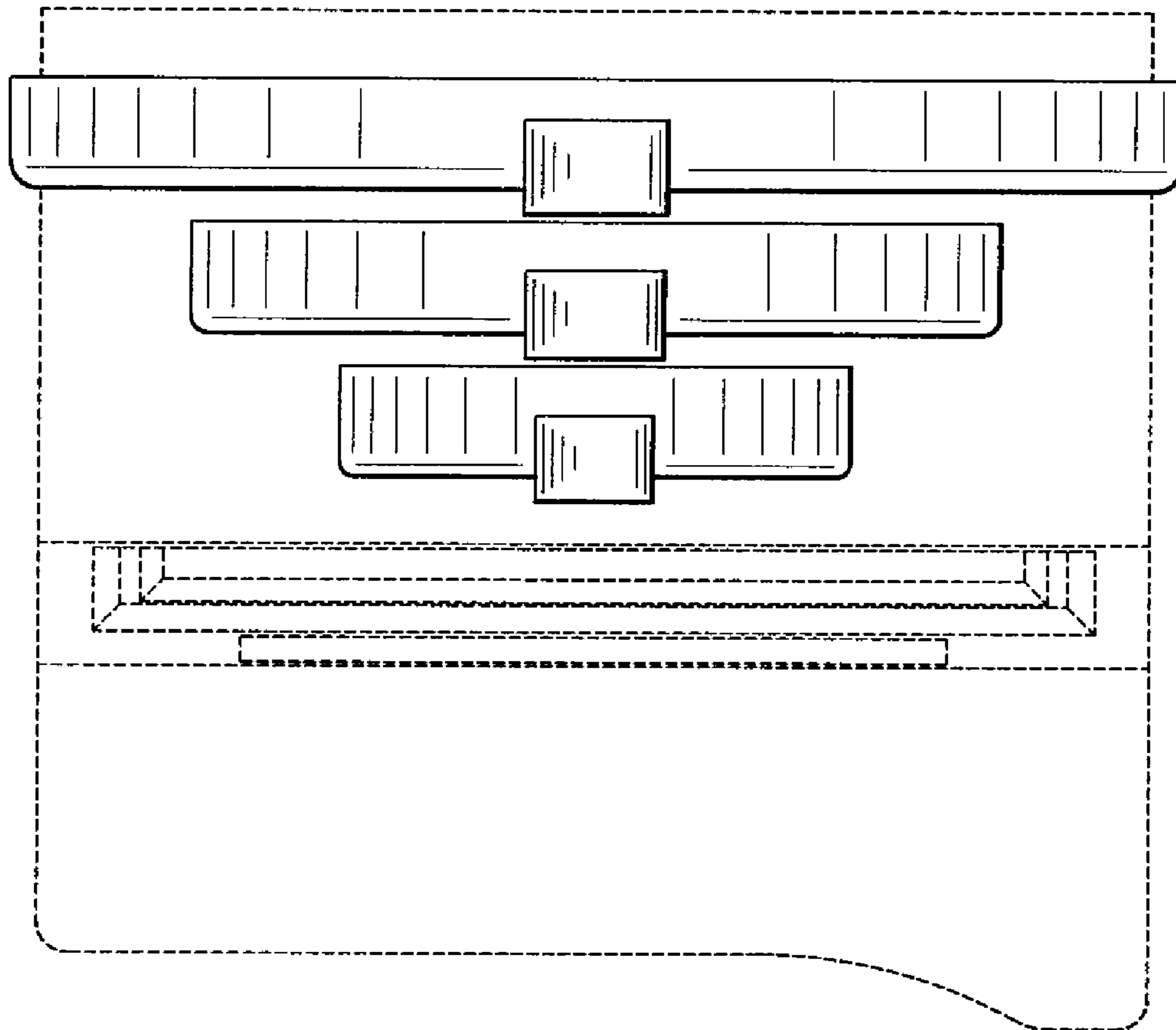




FIG. 6

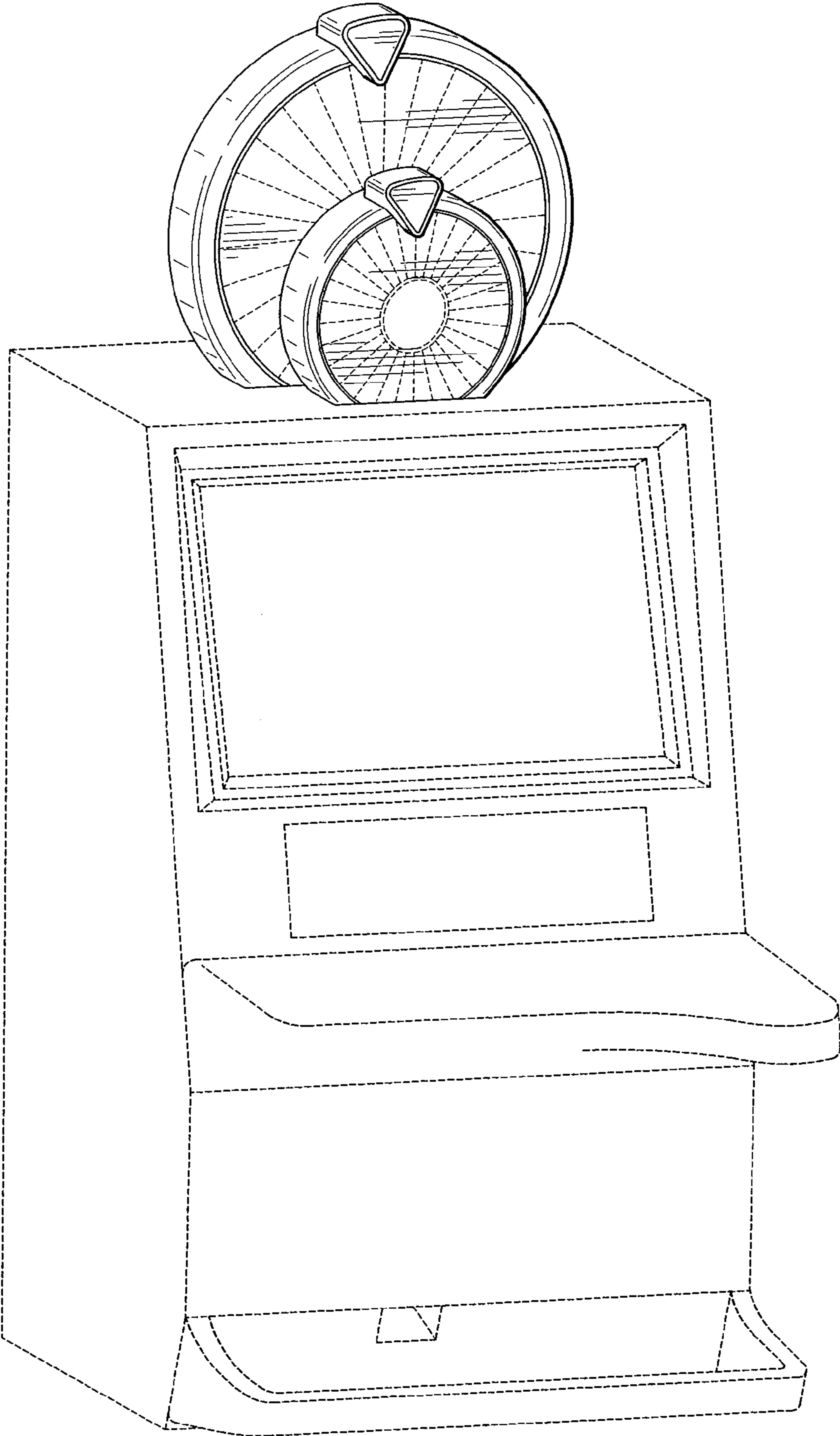


FIG. 7

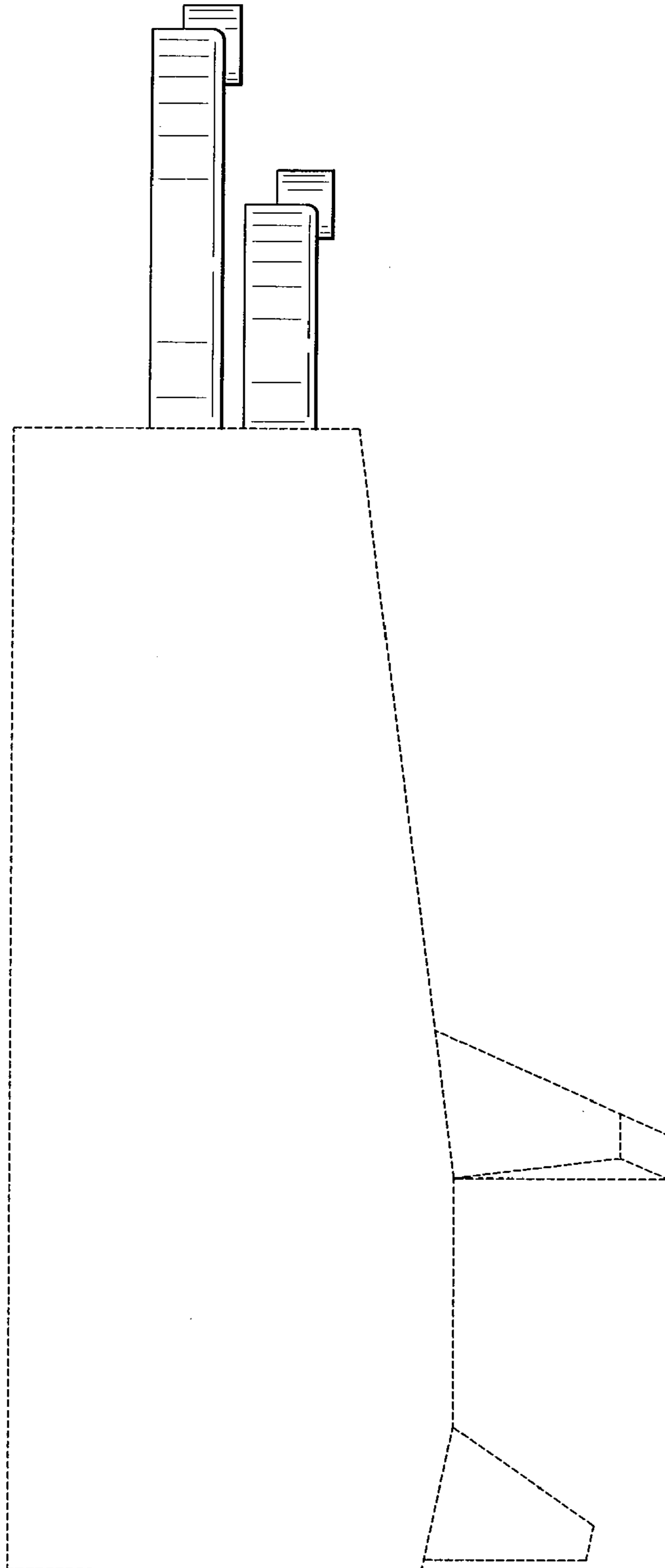


FIG. 8

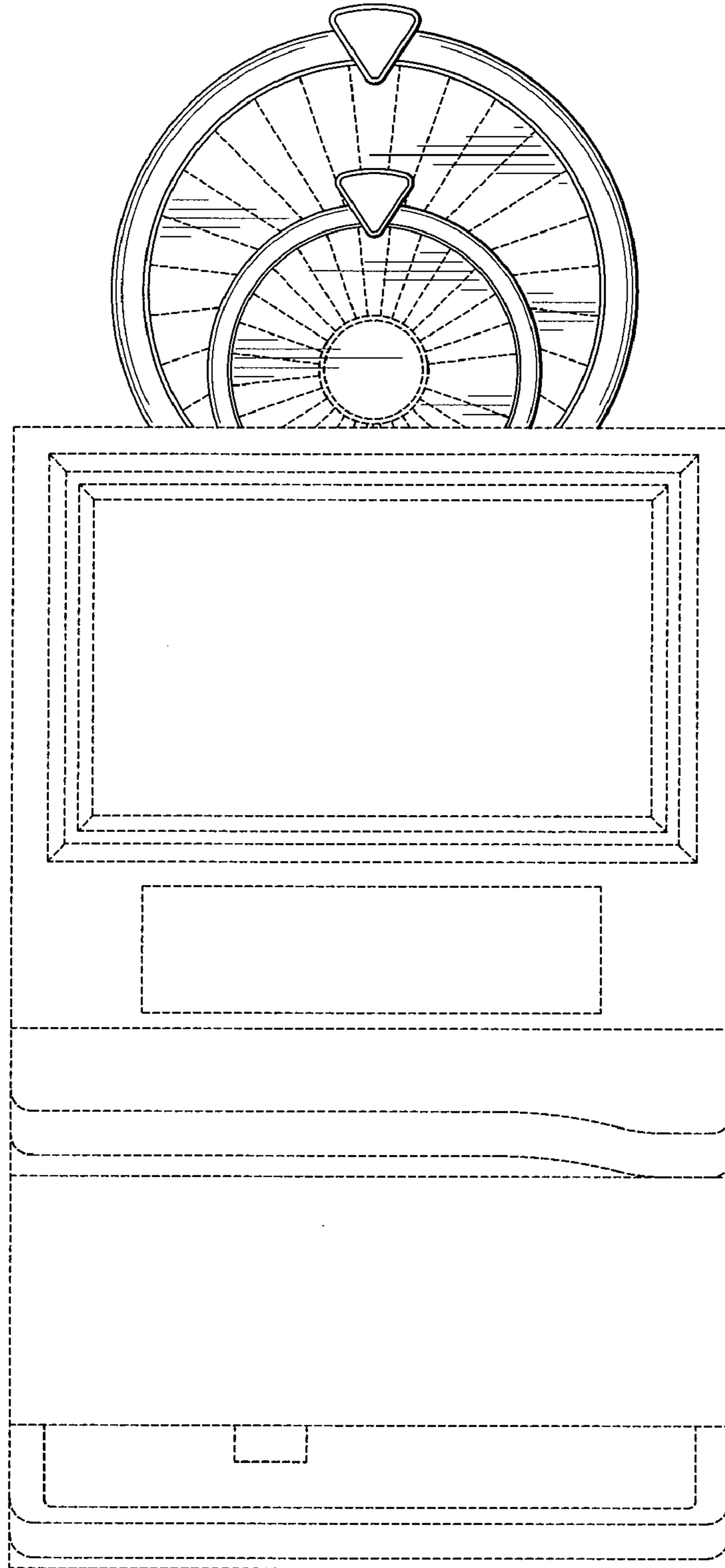


FIG. 9

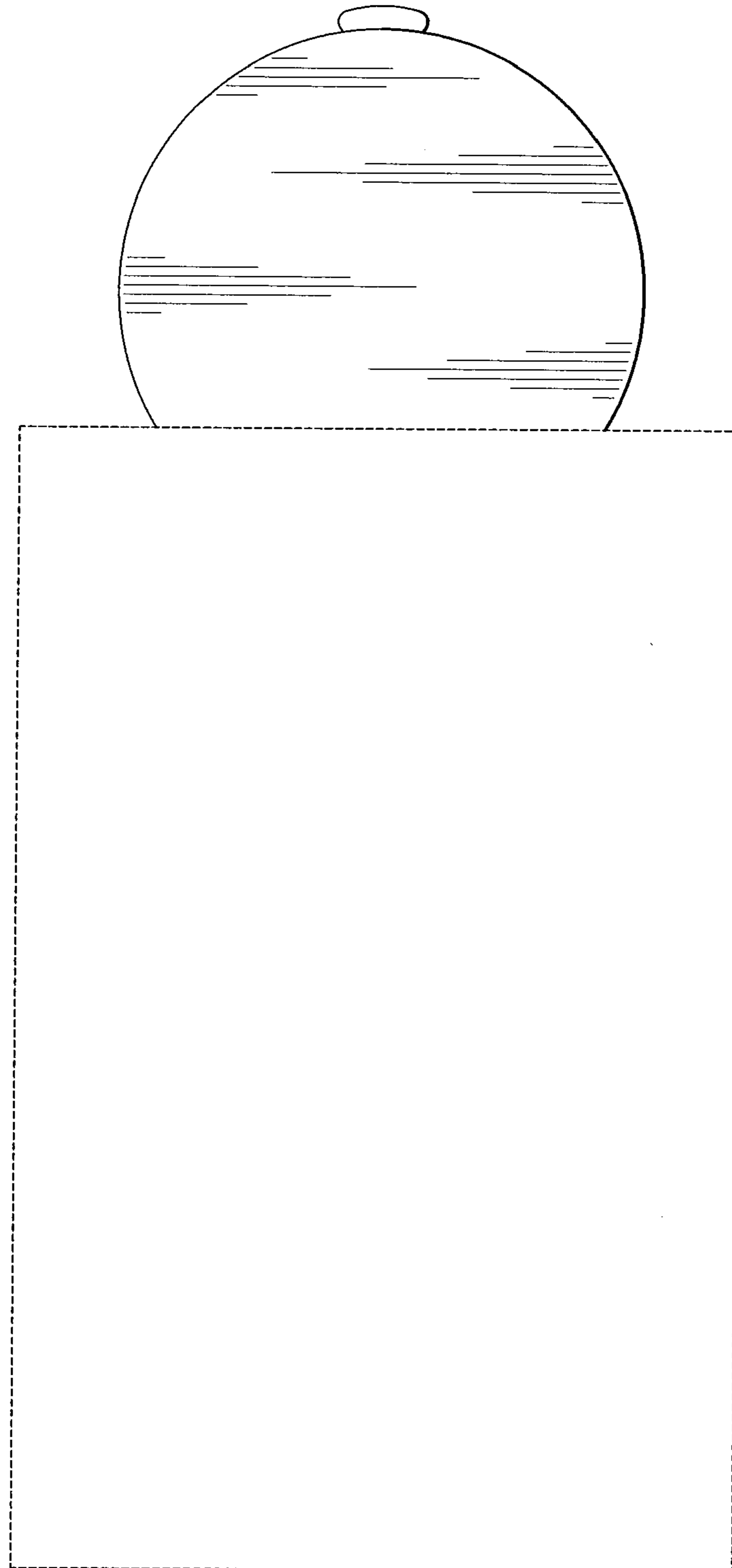


FIG.10

