



US00D558833S

(12) **United States Design Patent**  
**Itskov et al.**

(10) **Patent No.:** **US D558,833 S**  
(45) **Date of Patent:** **\*\* Jan. 1, 2008**

(54) **GAME TERMINAL**

(75) Inventors: **Boris Itskov**, Thornhill (CA); **Igor Starovoitov**, Toronto (CA)

(73) Assignee: **JVL Corporation**, Concord, ON (CA)

(\*\*) Term: **14 Years**

(21) Appl. No.: **29/212,481**

(22) Filed: **Sep. 2, 2004**

(30) **Foreign Application Priority Data**

Mar. 4, 2004 (CA) ..... 106121

(51) **LOC (8) Cl.** ..... **21-01**

(52) **U.S. Cl.** ..... **D21/329; D14/133**

(58) **Field of Classification Search** ..... D21/324-333,  
D21/369, 347, 274; 273/148 B, 138.1, 459-461;  
463/16, 17, 25, 1, 29-35, 46, 47; 700/1,  
700/2, 9

See application file for complete search history.

(56) **References Cited**

**U.S. PATENT DOCUMENTS**

D280,836 S \* 10/1985 Ludzia et al. .... D21/325  
4,752,069 A \* 6/1988 Okada ..... 463/23

D331,079 S \* 11/1992 Duhamel ..... D21/325  
5,213,327 A \* 5/1993 Kitaue ..... 463/38  
D359,516 S \* 6/1995 Brettschneider ..... D21/325  
5,611,731 A \* 3/1997 Bouton et al. .... 463/37  
D460,496 S \* 7/2002 Cole ..... D21/369  
6,852,026 B2 \* 2/2005 Huang ..... 463/16  
6,878,064 B2 \* 4/2005 Huang ..... 463/30  
D507,023 S \* 7/2005 Simonetti et al. .... D21/369

\* cited by examiner

*Primary Examiner*—Prabhakar Deshmukh

(57) **CLAIM**

The ornamental design for a game terminal, as shown.

**DESCRIPTION**

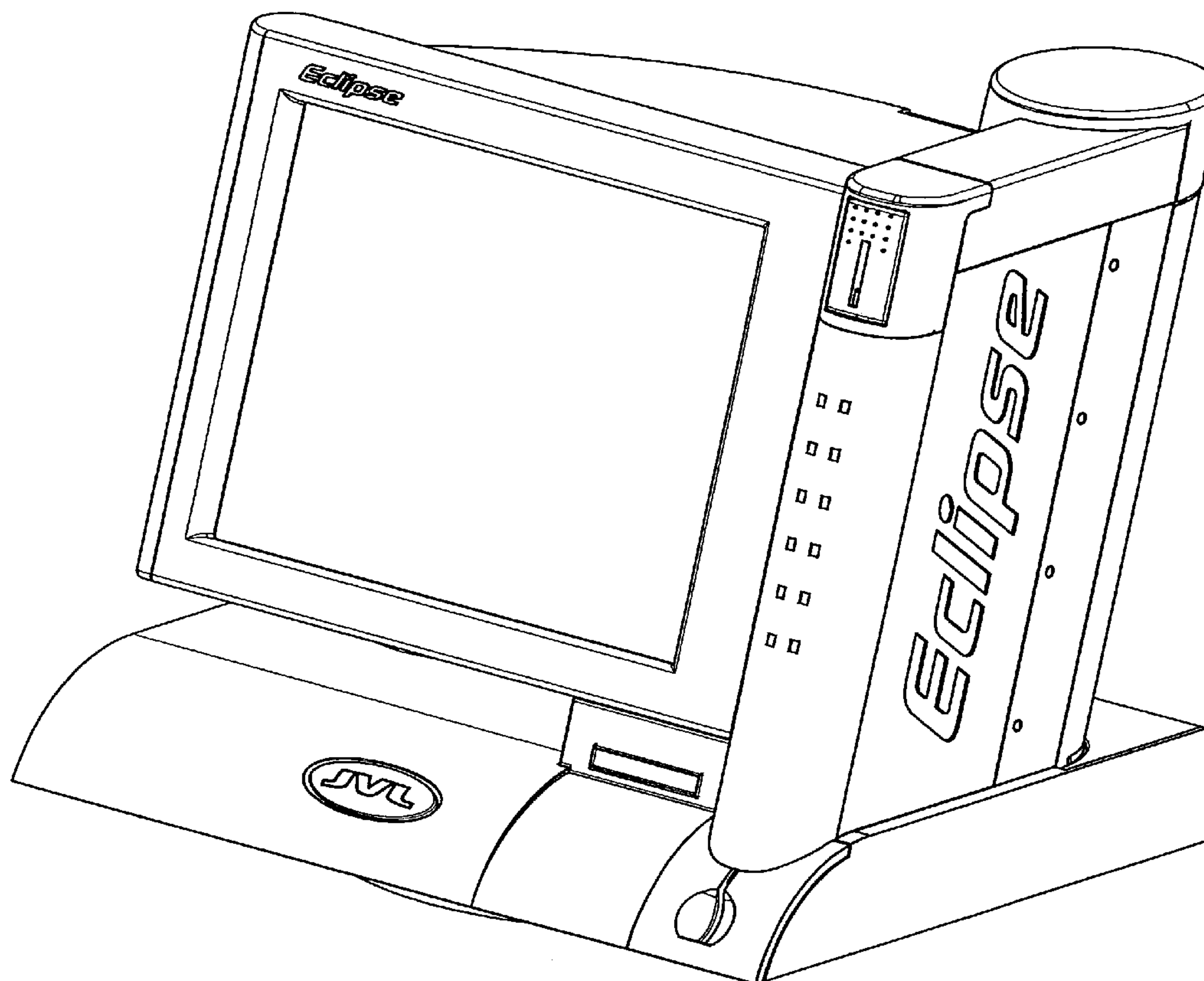
FIG. 1 is a right front perspective view of the game terminal;  
FIG. 2 is a left front perspective view of the game terminal  
of FIG. 1;

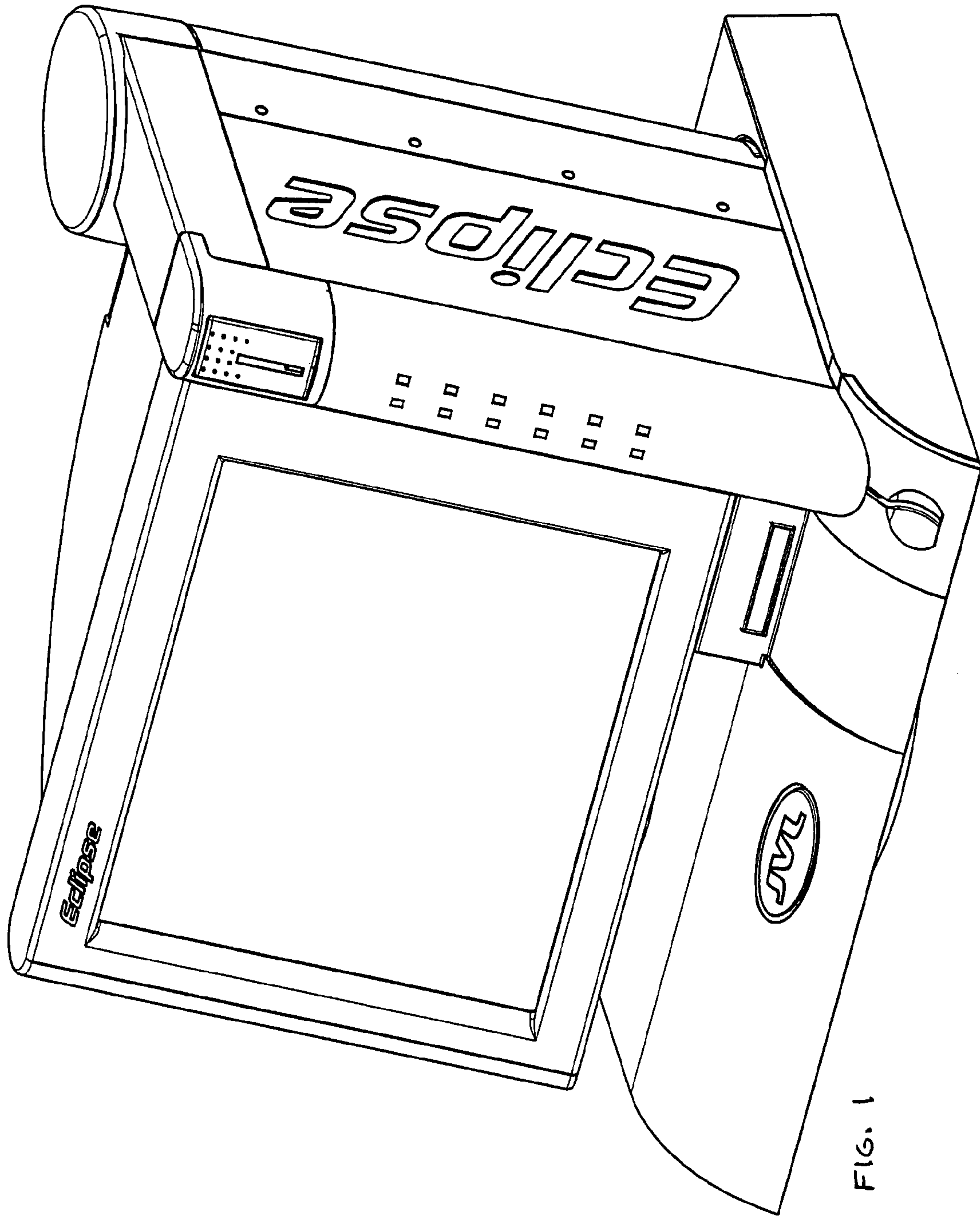
FIG. 3 is a left rear perspective view of the game terminal  
of FIG. 1;

FIG. 4 is a right rear perspective view of the game terminal  
of FIG. 1; and,

FIG. 5 is a bottom front perspective view of the game  
terminal of FIG. 1.

**1 Claim, 5 Drawing Sheets**





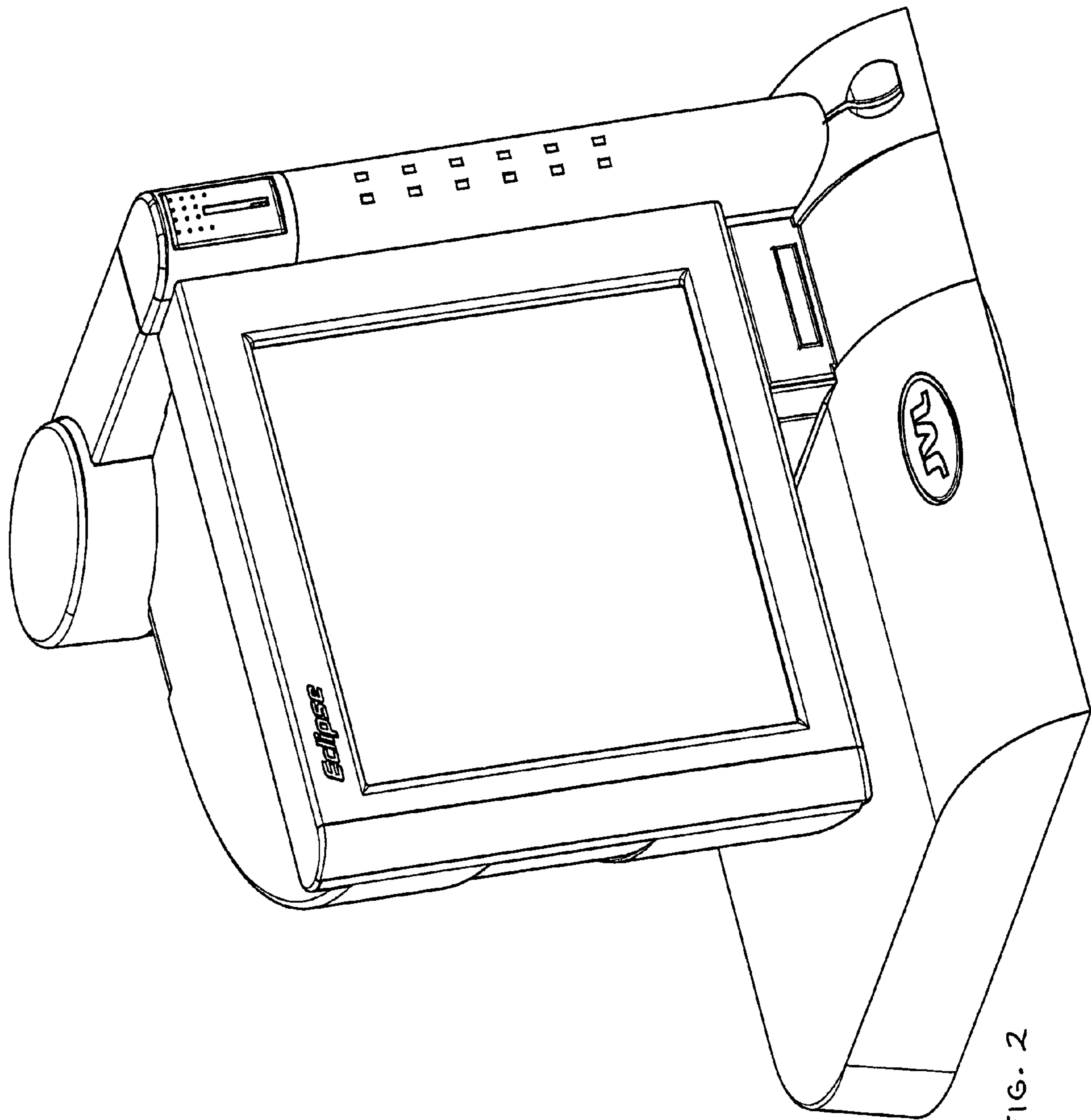


FIG. 2

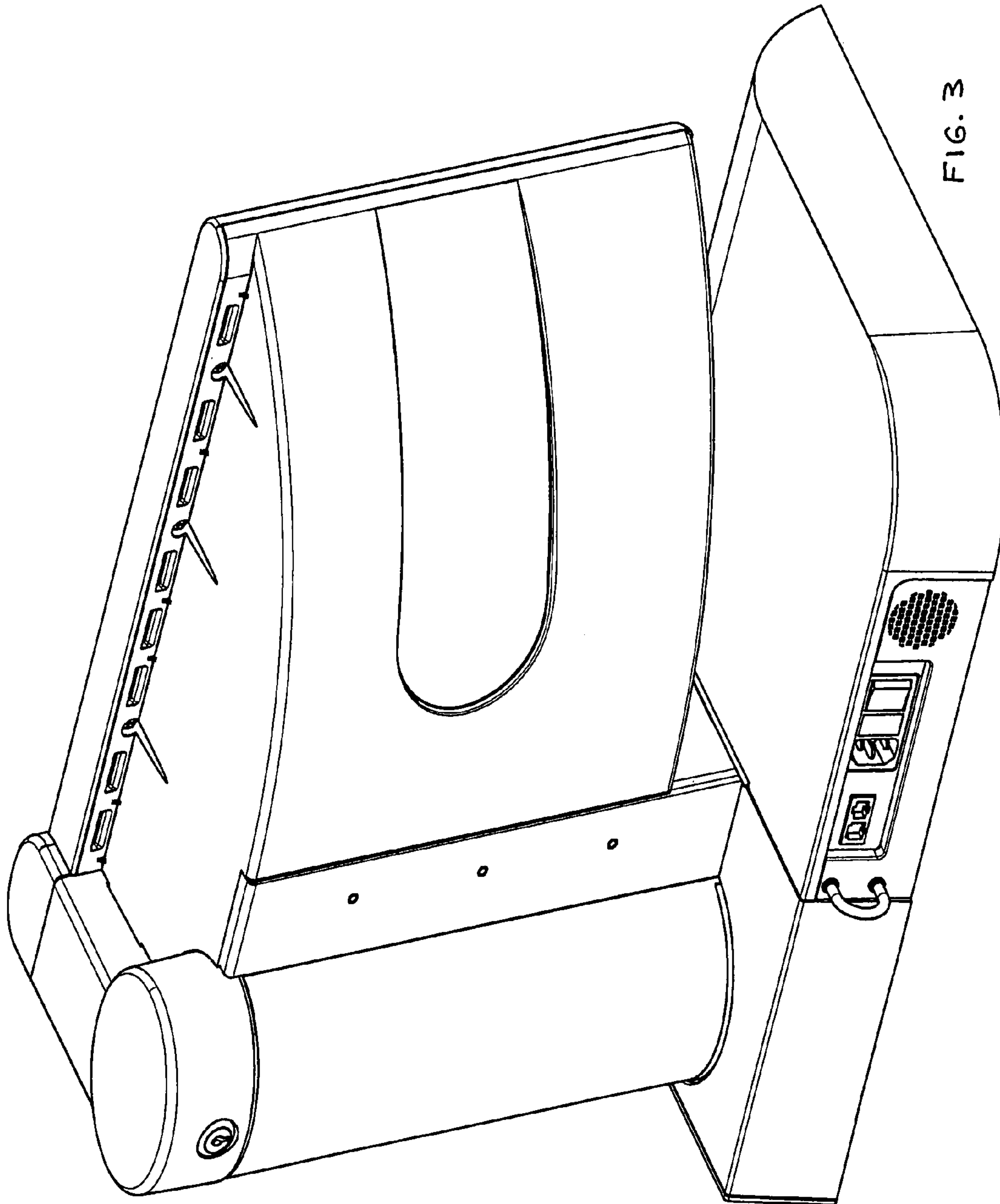


FIG. 3



