



US00D558830S

(12) **United States Design Patent**
Soodeen et al.

(10) **Patent No.:** **US D558,830 S**
(45) **Date of Patent:** **** Jan. 1, 2008**

(54) **SIMULATOR ENCLOSURE**

(75) Inventors: **Mark Soodeen**, Beaconsfield (CA);
Giuseppe Mallaci, Beaconsfield (CA)

(73) Assignee: **CAE Inc.**, Saint-laurent, Québec (CA)

(**) Term: **14 Years**

(21) Appl. No.: **29/277,648**

(22) Filed: **Mar. 5, 2007**

(51) **LOC (8) Cl.** **19-07**

(52) **U.S. Cl.** **D19/63**

(58) **Field of Classification Search** D19/59-64;
D6/451; D12/319; D21/30, 34-37; 434/55,
434/60; 463/36; 482/51

See application file for complete search history.

(56) **References Cited**

U.S. PATENT DOCUMENTS

D334,409 S *	3/1993	Harper	D19/63
D334,410 S *	3/1993	Harper	D19/63
D334,591 S *	4/1993	Harper	D19/63
D345,760 S *	4/1994	Liljenwall	D19/63
5,388,991 A *	2/1995	Morris	434/55
D366,513 S *	1/1996	Crowe et al.	D21/833
D382,620 S *	8/1997	Callan	D21/833
D387,122 S *	12/1997	Horstmann et al.	D21/833
D414,762 S *	10/1999	Gibbs et al.	D21/814
D417,480 S *	12/1999	Collins et al.	D21/811

D427,789 S *	7/2000	Hill	D6/338
D531,221 S *	10/2006	Shiraishi	D19/60
D531,670 S *	11/2006	Shiraishi	D19/60

* cited by examiner

Primary Examiner—Robert A. Delehanty

Assistant Examiner—Mark Cavanna

(74) *Attorney, Agent, or Firm*—Ogilvy Renault LLP

(57) **CLAIM**

The ornamental design for simulator enclosure, as shown and described.

DESCRIPTION

FIG. 1 is a rear perspective view of a simulator showing my new design invention;

FIG. 2 is a rear elevation view thereof;

FIG. 3 is a right side elevation view thereof, the opposite side being a mirror image thereof;

FIG. 4 is a top plan view thereof;

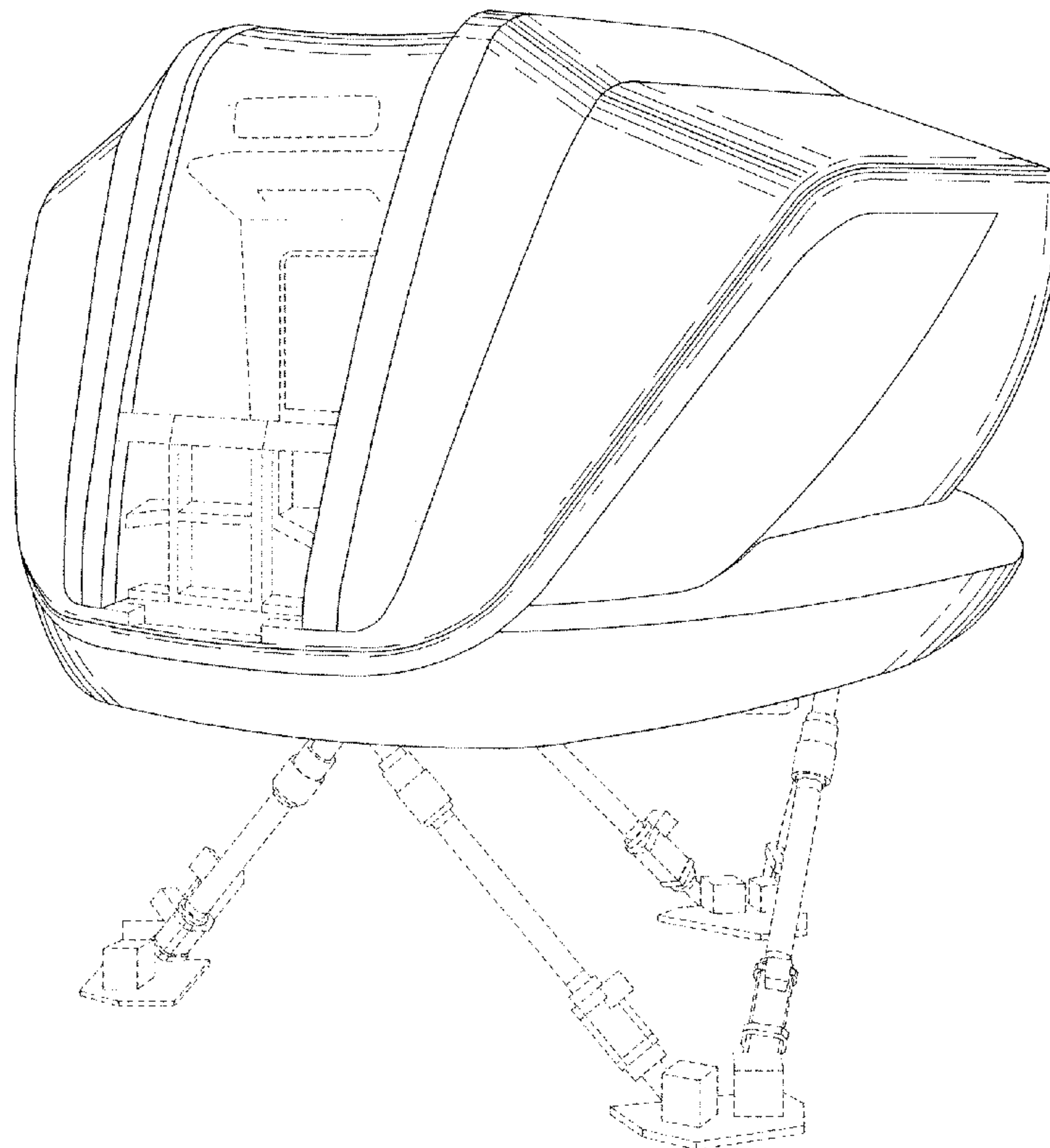
FIG. 5 is a bottom plan view thereof;

FIG. 6 is a front elevation view thereof; and,

FIG. 7 is a front perspective view thereof.

The broken line showing of simulator enclosure interior and supporting legs is included for illustration only and forms no part of the claimed design.

1 Claim, 7 Drawing Sheets



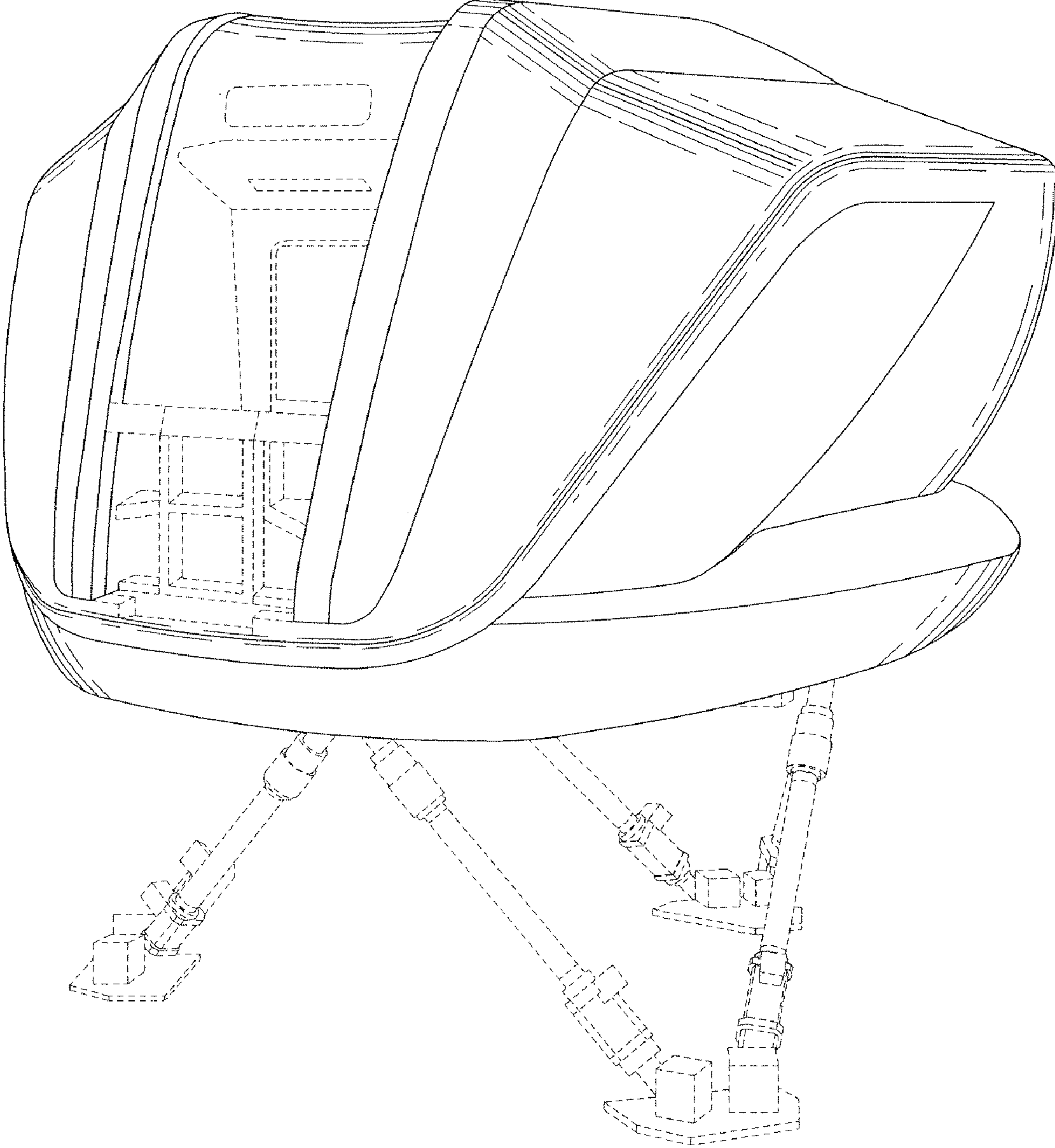


Fig. 1

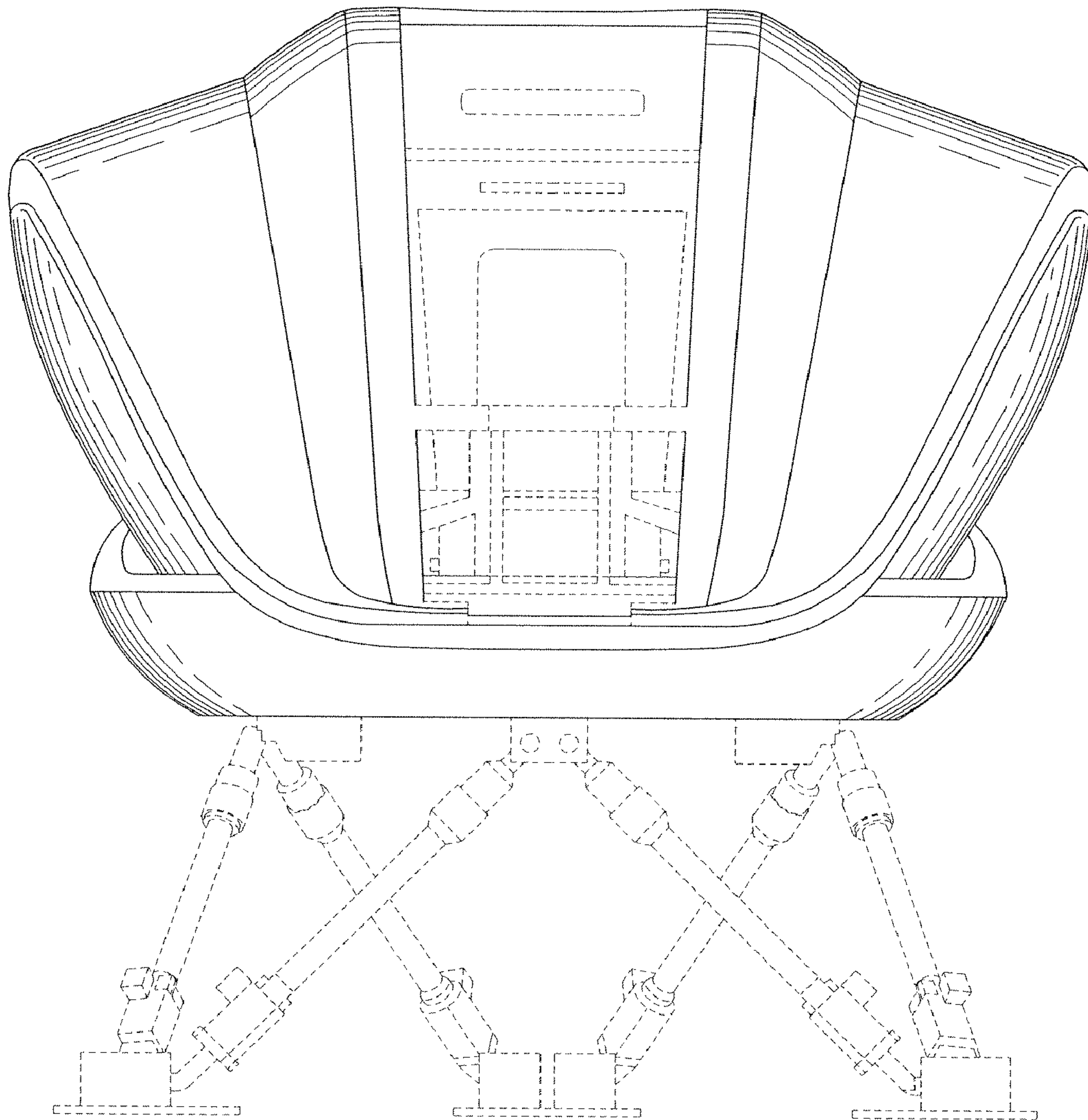


Fig. 2

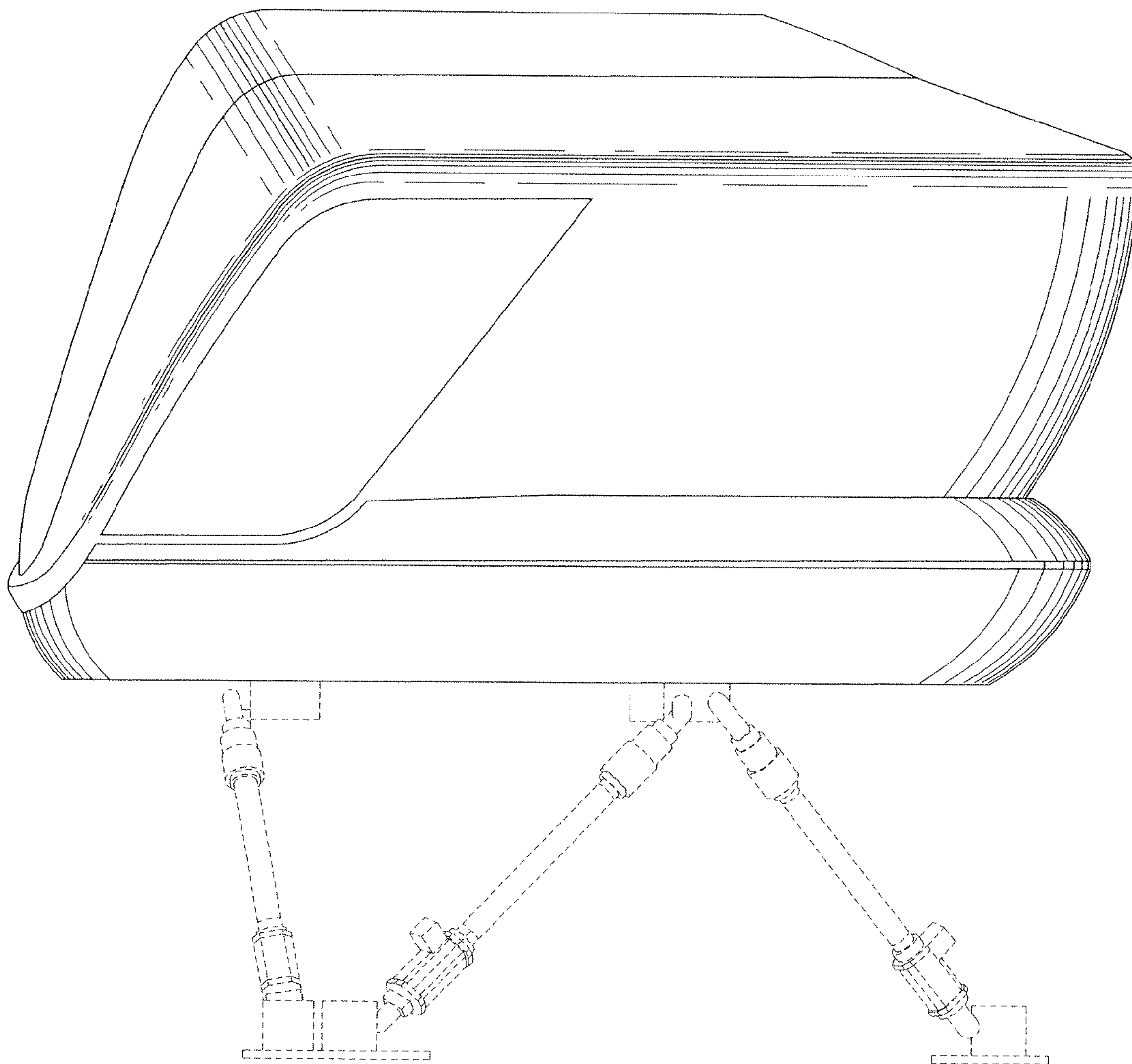


Fig. 3

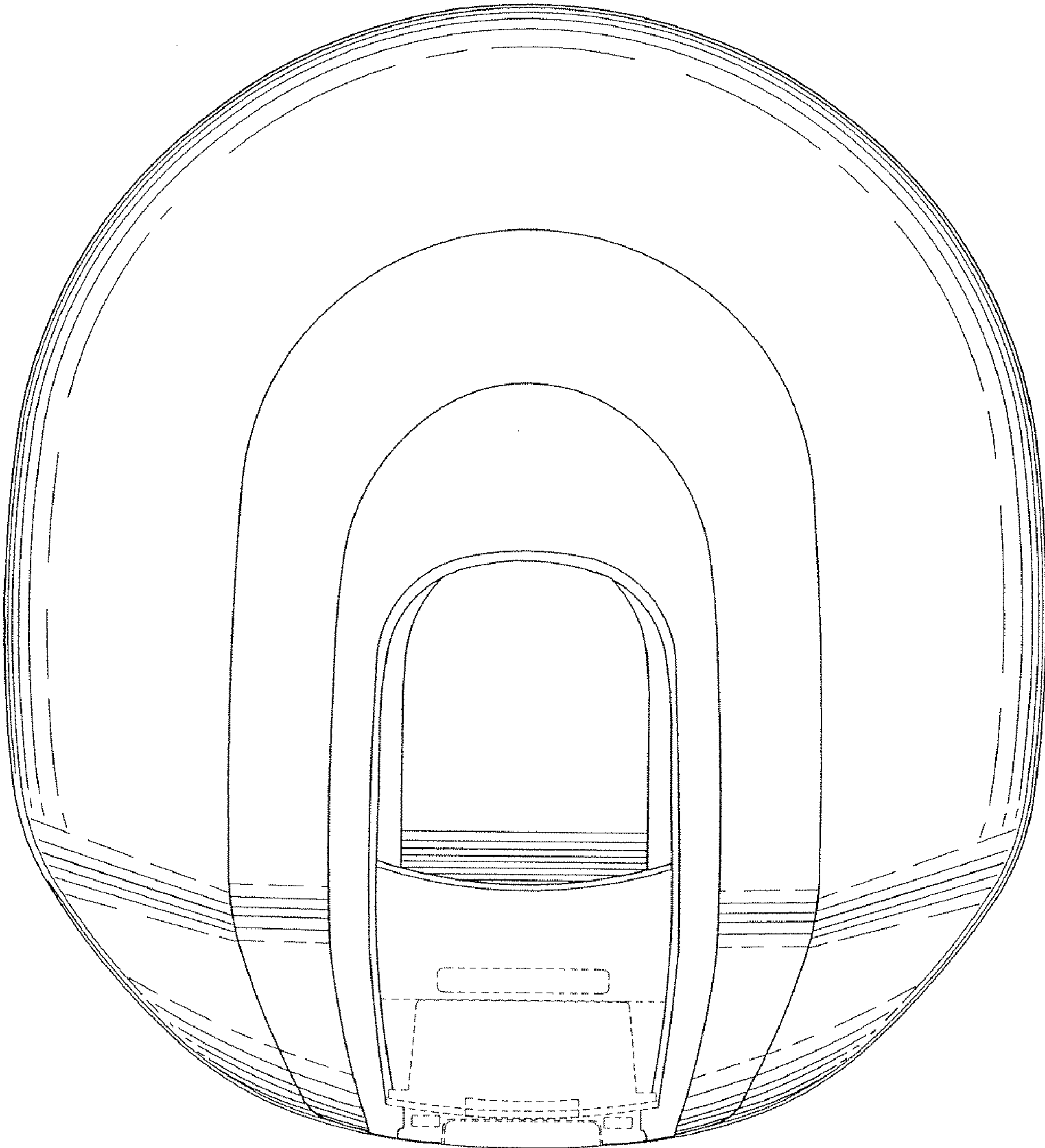


Fig. 4

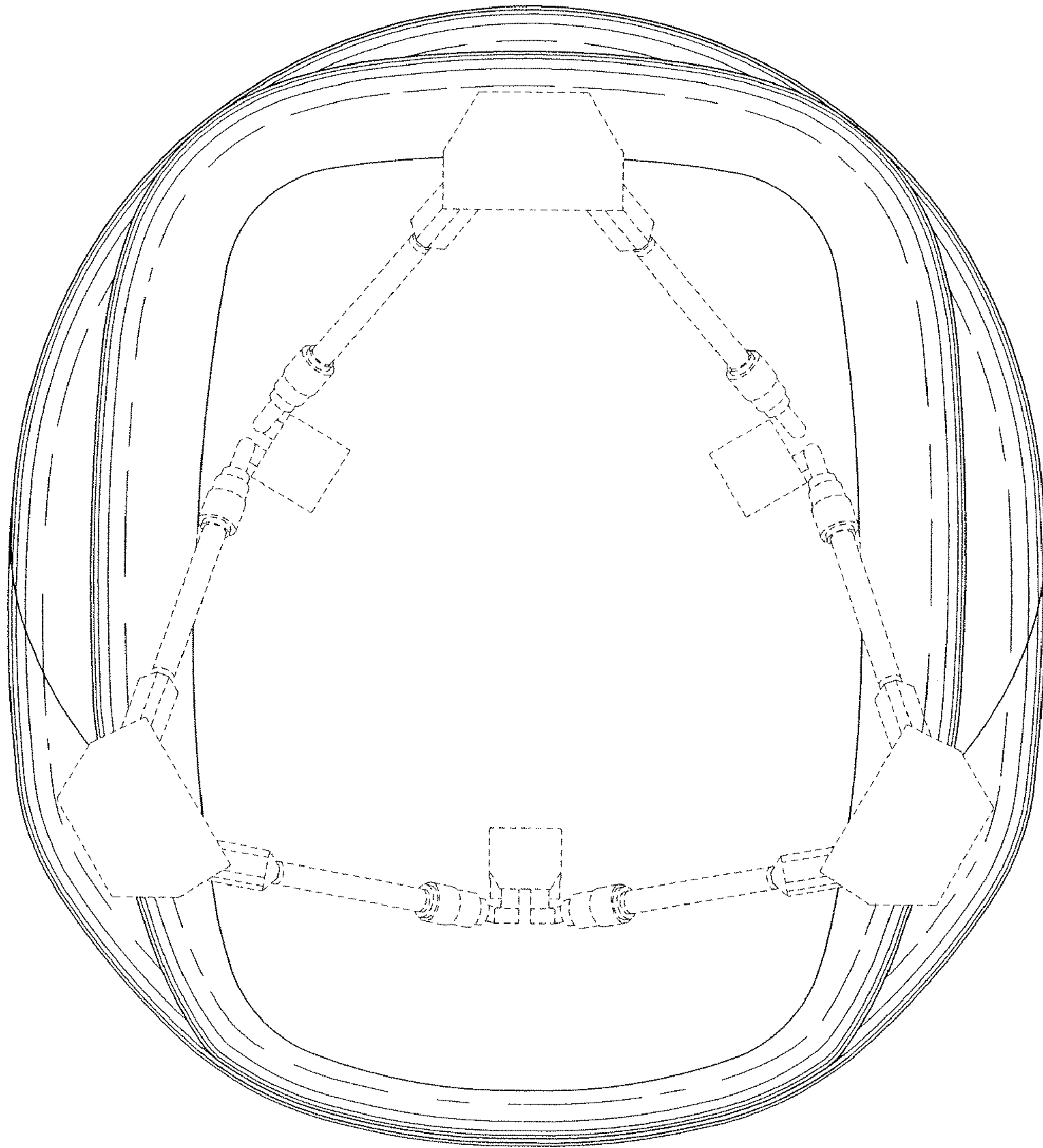


Fig. 5

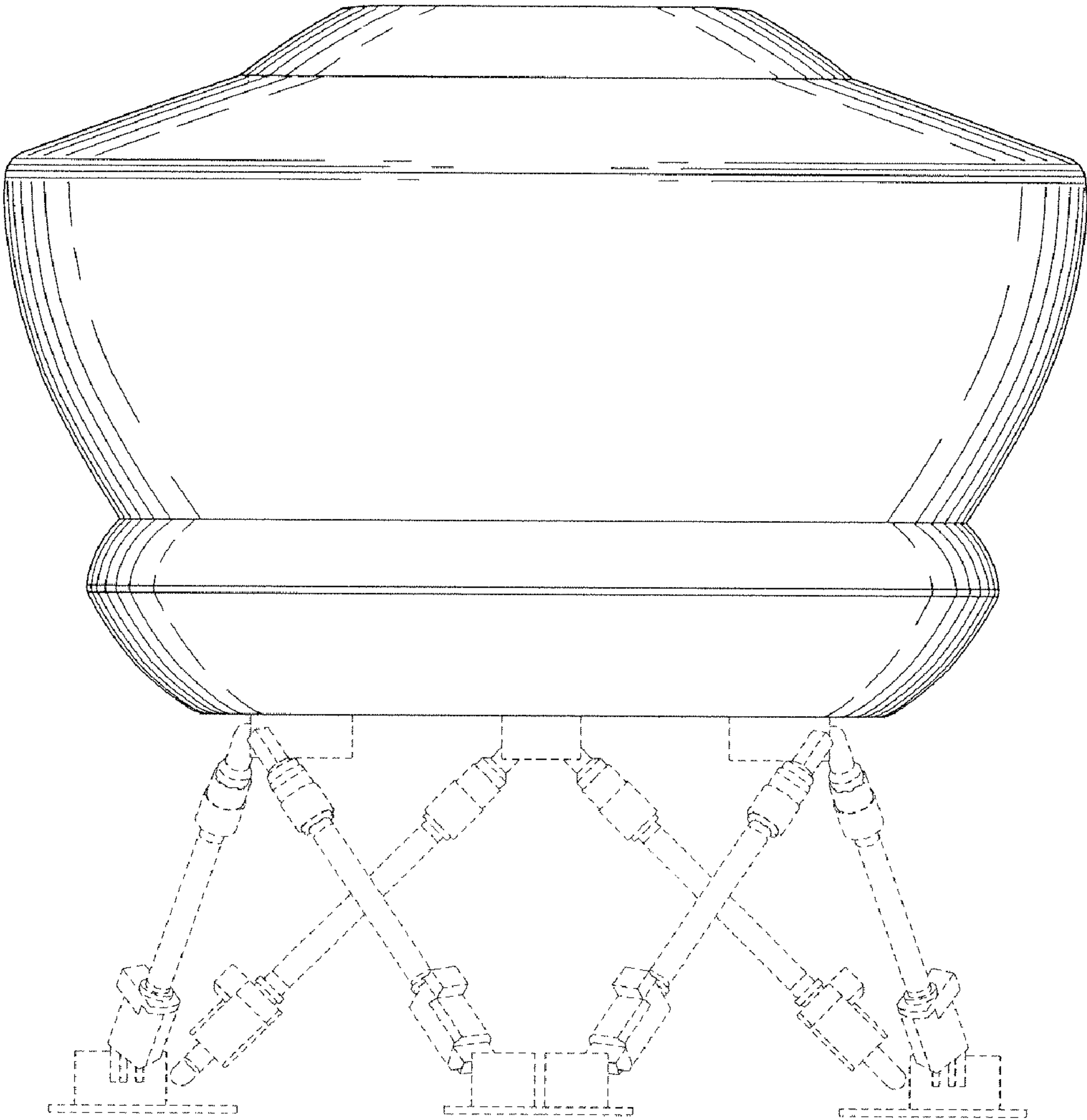


Fig. 6

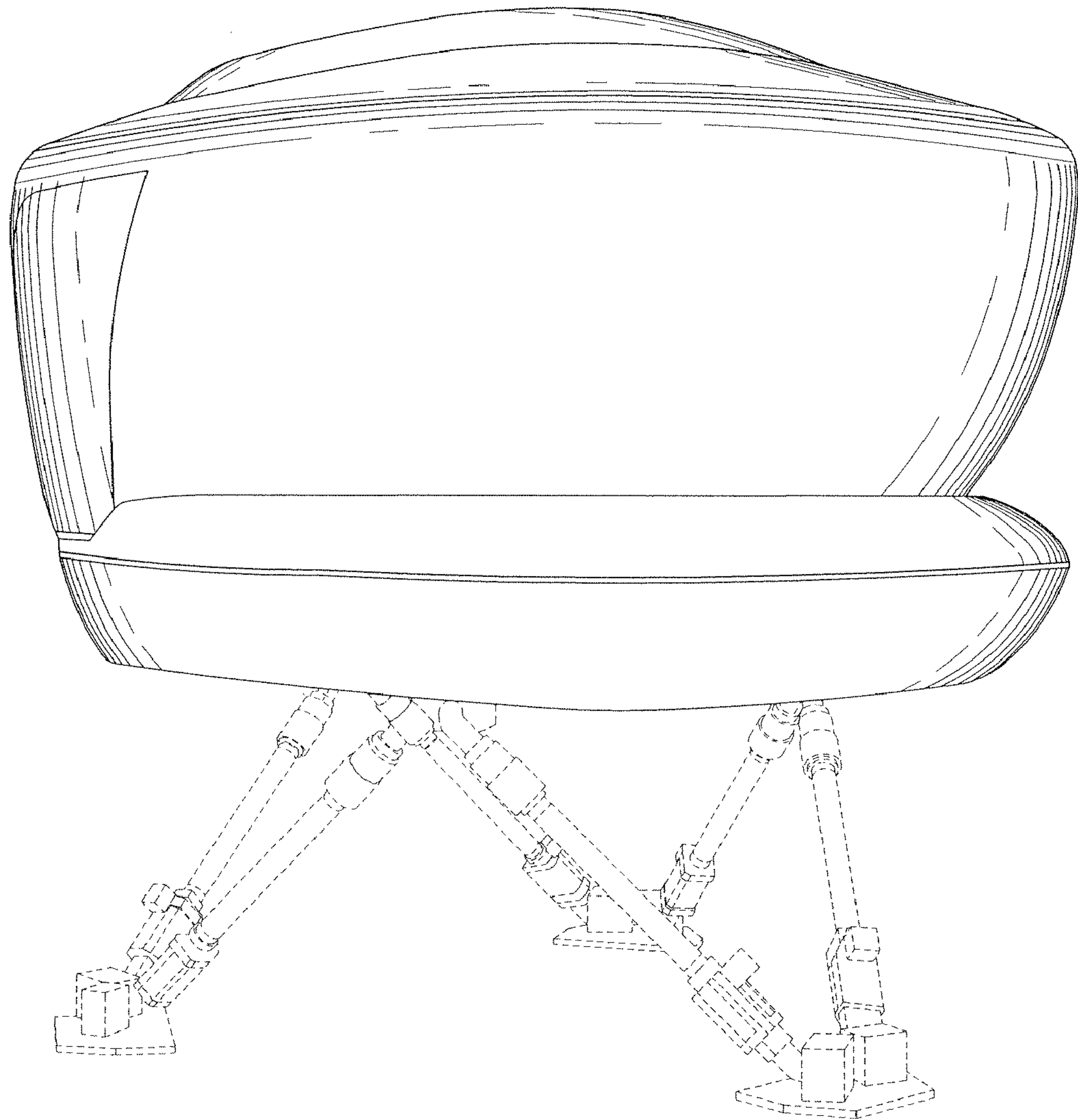


Fig. 7