



US00D558829S

(12) **United States Design Patent**
Soodeen et al.

(10) **Patent No.:** **US D558,829 S**
(45) **Date of Patent:** **** Jan. 1, 2008**

(54) **SIMULATOR ENCLOSURE**

D427,789 S * 7/2000 Hill D6/338
D531,221 S * 10/2006 Shiraiishi D19/60
D531,670 S * 11/2006 Shiraiishi D19/60

(75) Inventors: **Mark Soodeen**, Beaconsfield (CA);
Giuseppe Mallaci, Beaconsfield (CA)

* cited by examiner

(73) Assignee: **CAE Inc.**, Saint-laurent, Québec (CA)

Primary Examiner—Robert A. Delehanty

(**) Term: **14 Years**

Assistant Examiner—Mark Cavanna

(74) *Attorney, Agent, or Firm*—Ogilvy Renault LLP

(21) Appl. No.: **29/277,645**

(57) **CLAIM**

(22) Filed: **Mar. 5, 2007**

The ornamental design for simulator enclosure, as shown and described.

(51) **LOC (8) Cl.** **19-07**

(52) **U.S. Cl.** **D19/63**

(58) **Field of Classification Search** D19/59-64;
D6/451; D12/319; D21/30, 34-37; 434/55,
434/60; 463/36; 482/51

See application file for complete search history.

DESCRIPTION

FIG. 1 is a front perspective view of a simulator enclosure showing my new design invention;

FIG. 2 is a front elevation view thereof;

FIG. 3 is a rear elevation view thereof;

FIG. 4 is a top plan view thereof;

FIG. 5 is a bottom plan view thereof; and

FIG. 6 is a right side elevation view thereof; and,

FIG. 7 is a left side elevation view thereof.

The parts shown in dotted lines form no part of the invention.

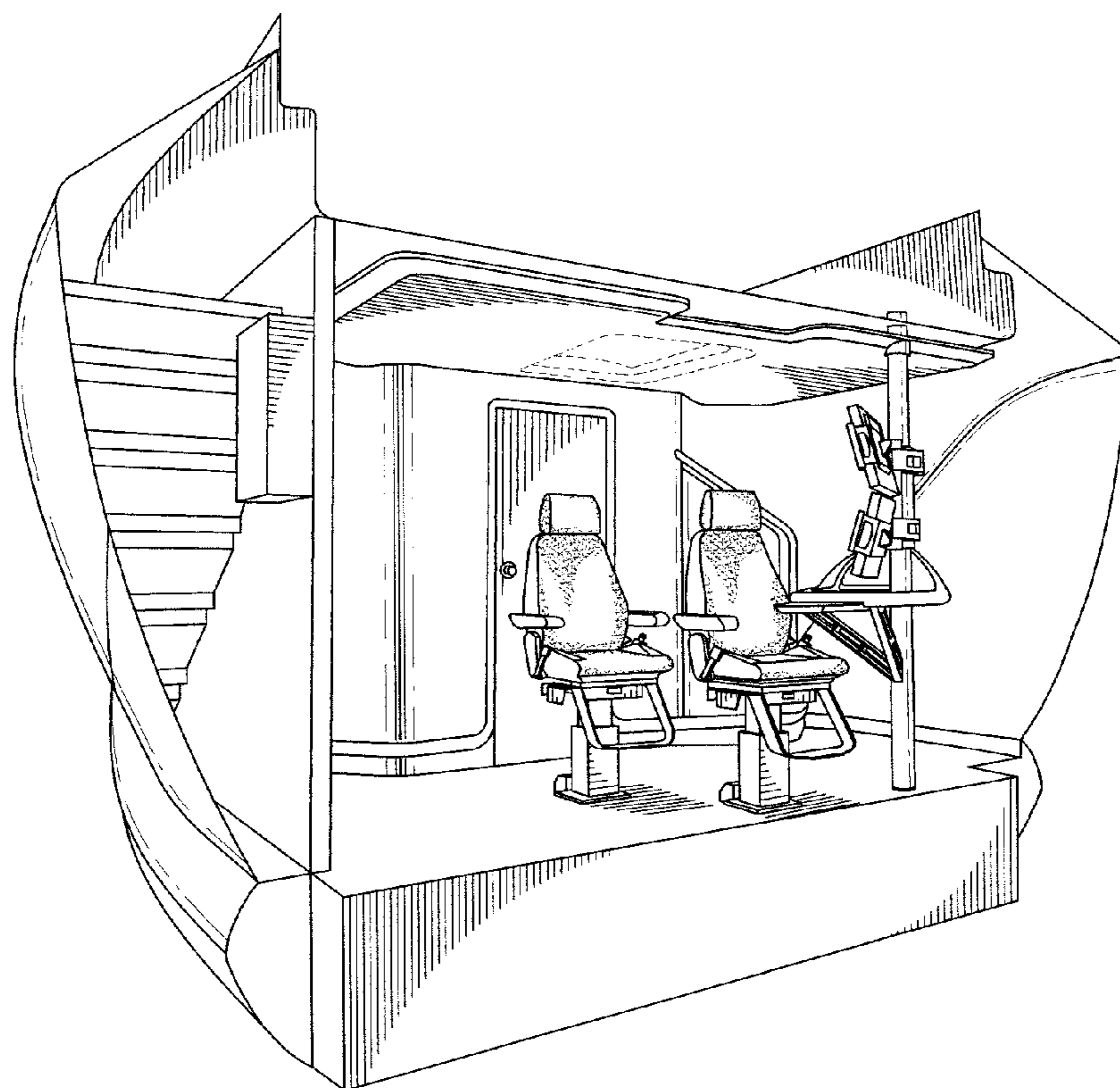
The broken lines are for illustration only and form no part of the claimed design.

(56) **References Cited**

U.S. PATENT DOCUMENTS

D334,409 S * 3/1993 Harper D19/63
D334,410 S * 3/1993 Harper D19/63
D334,591 S * 4/1993 Harper D19/63
D345,760 S * 4/1994 Liljenwall D19/63
5,388,991 A * 2/1995 Morris 434/55
D366,513 S * 1/1996 Crowe et al. D21/833
D382,620 S * 8/1997 Callan D21/833
D387,122 S * 12/1997 Horstmann et al. D21/833
D414,762 S * 10/1999 Gibbs et al. D21/814
D417,480 S * 12/1999 Collins et al. D21/811

1 Claim, 7 Drawing Sheets



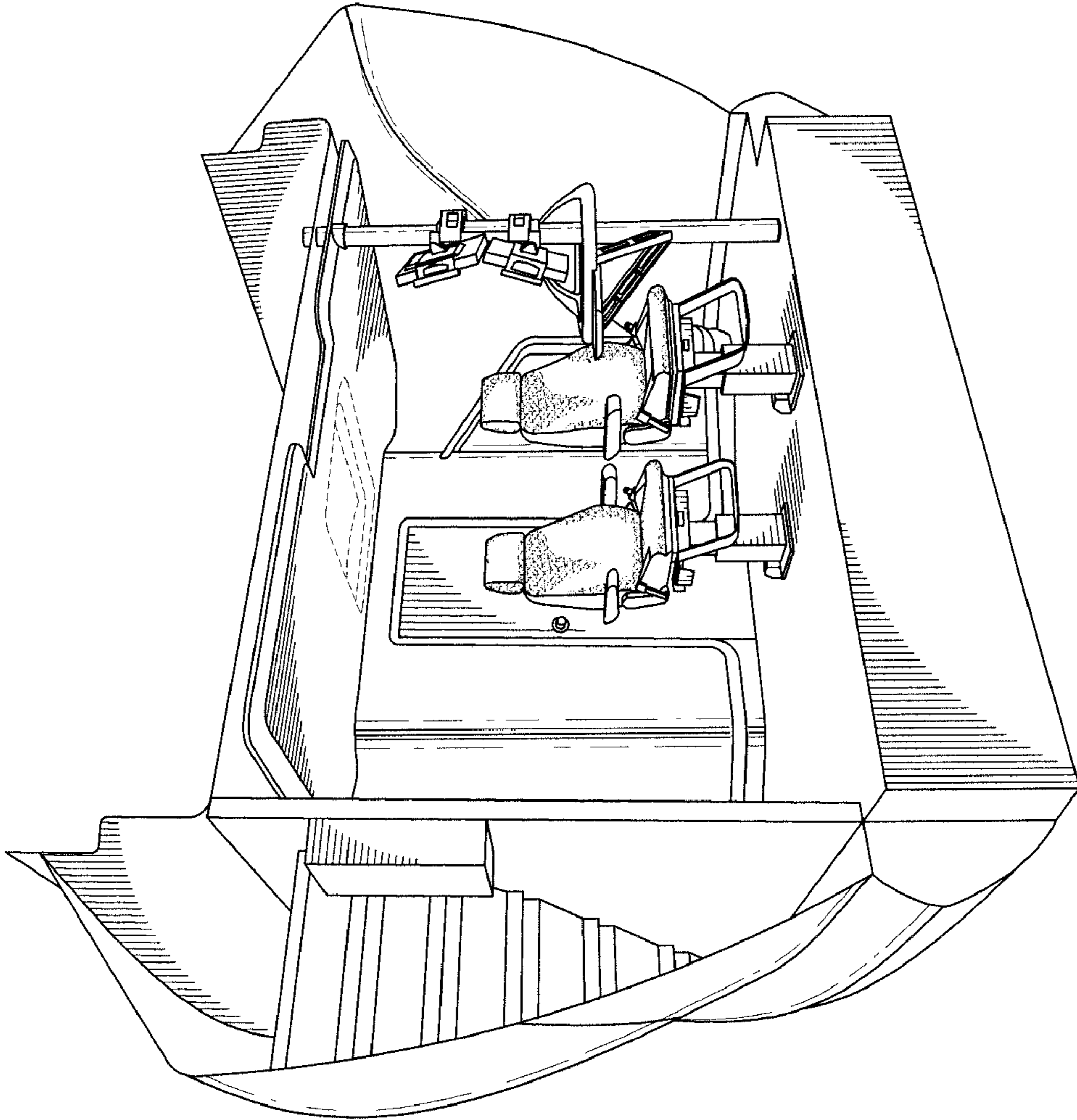


Fig-1

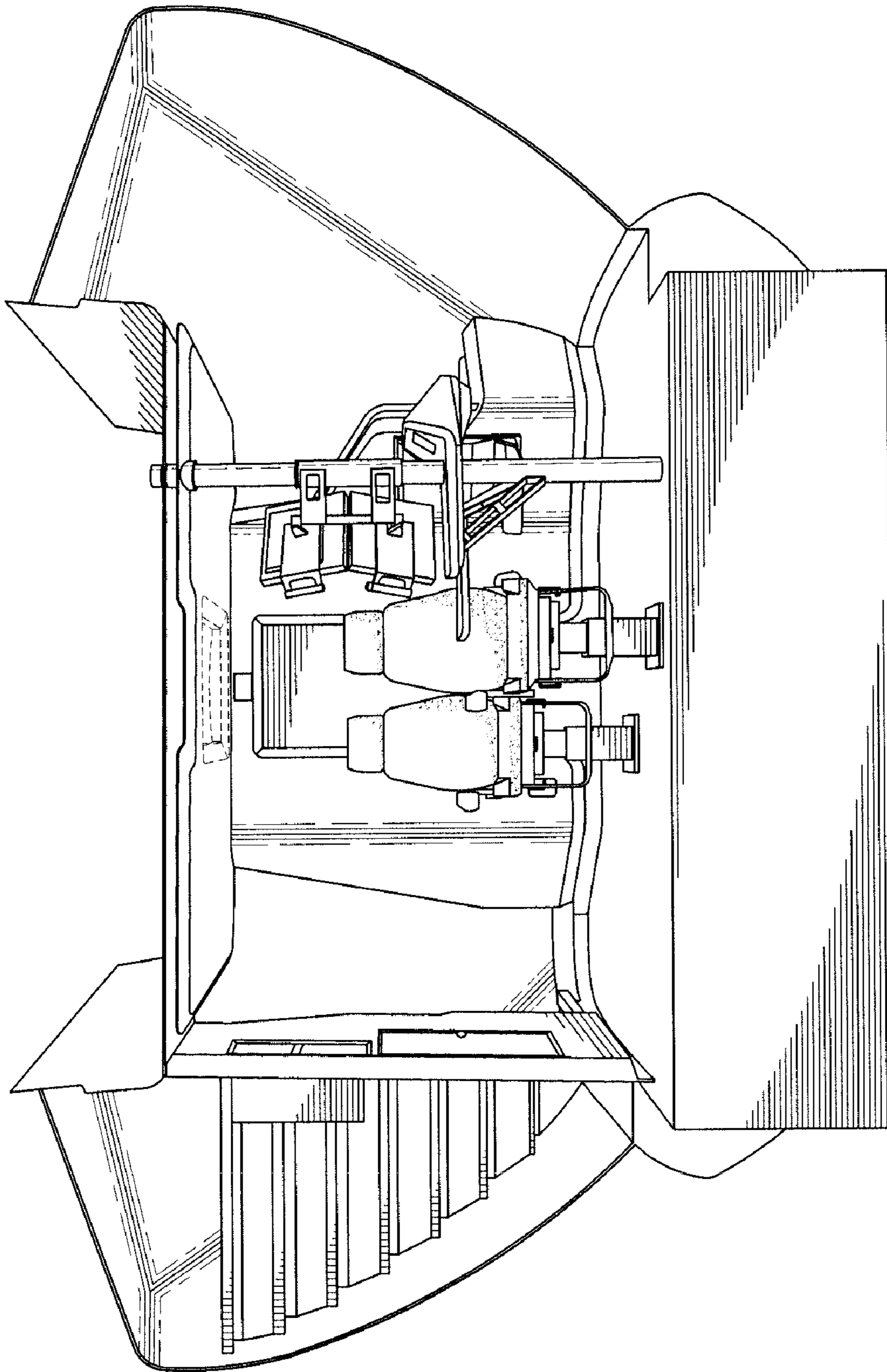


Fig. 2

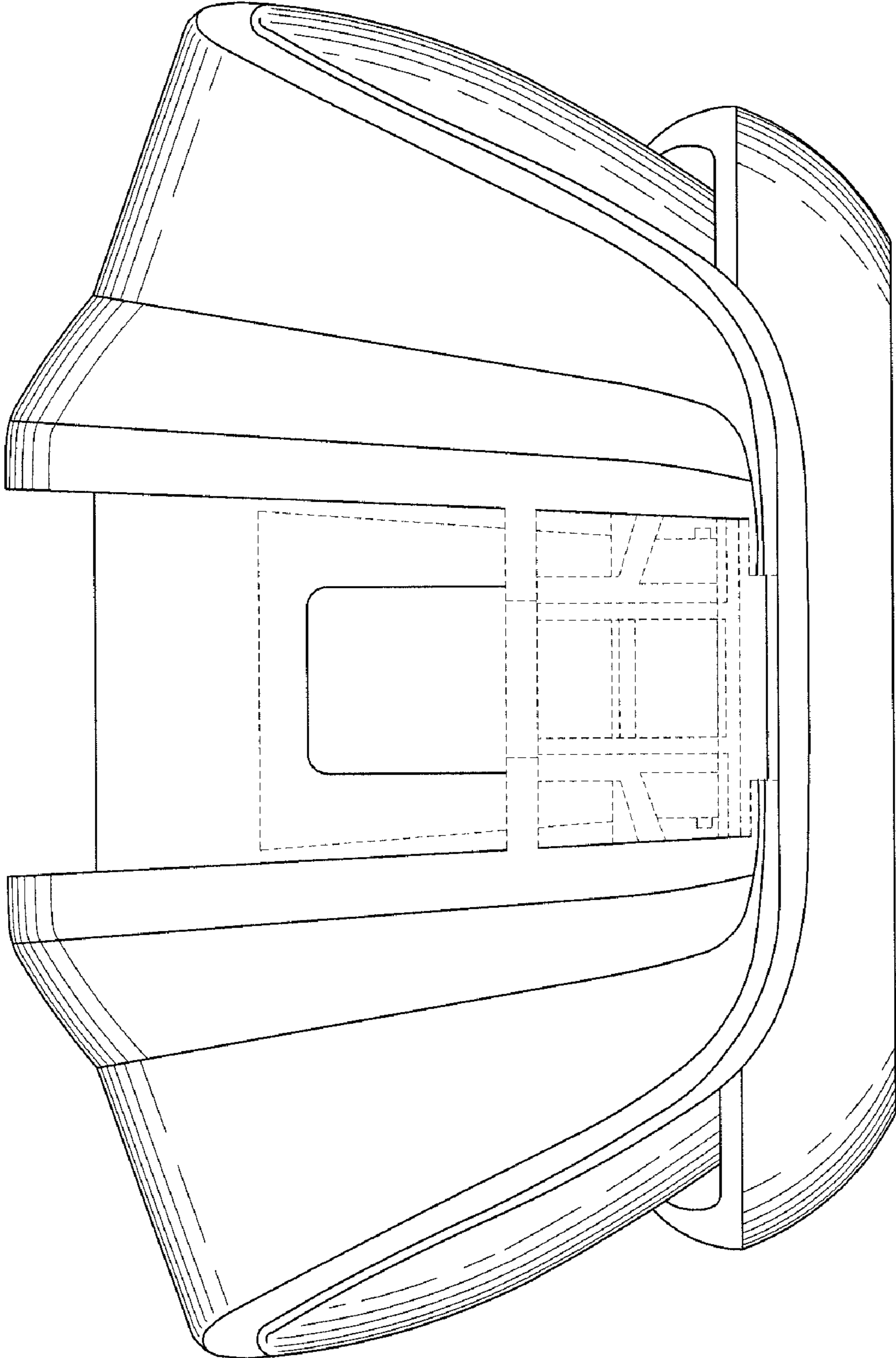


Fig. 3

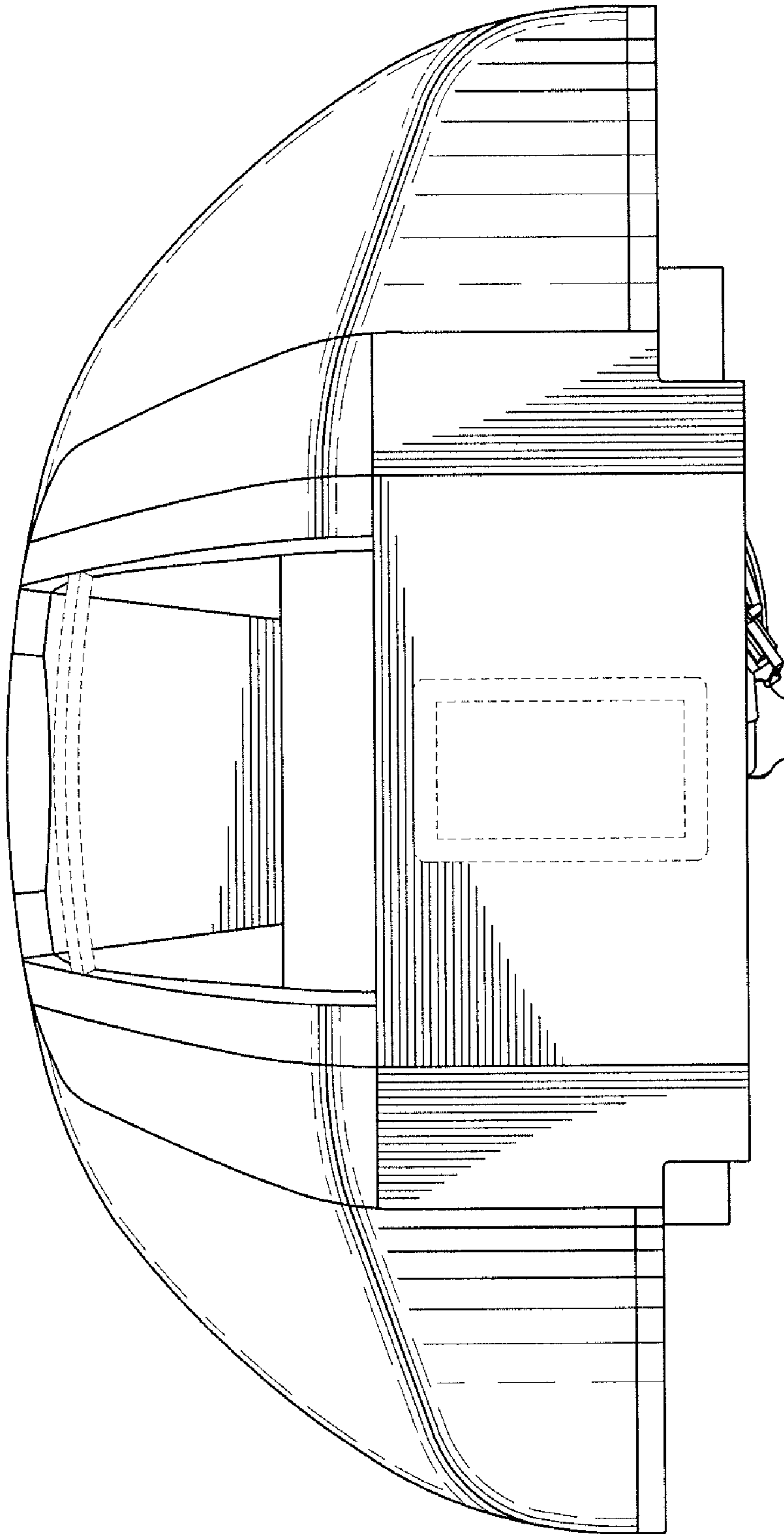


FIG. 4

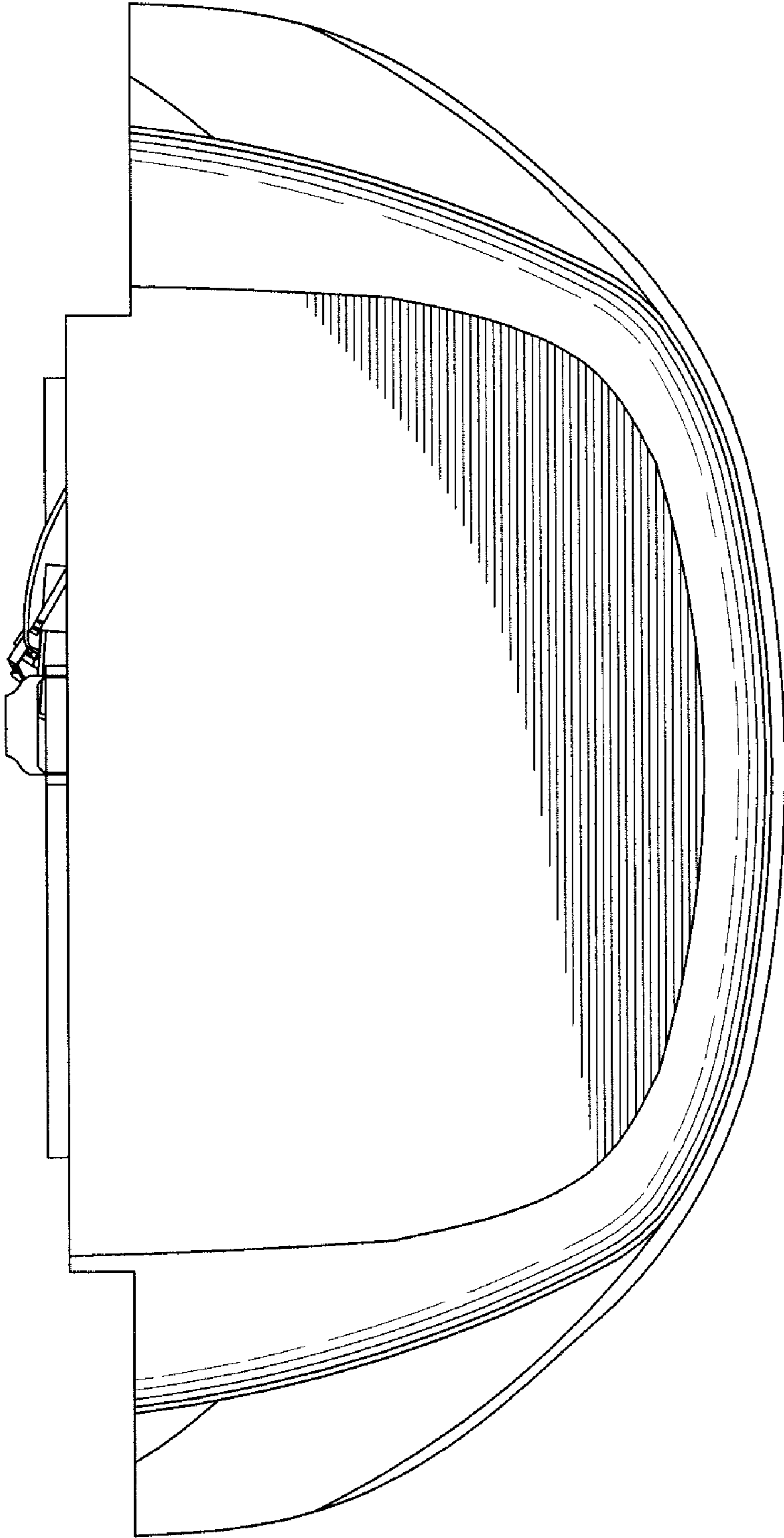


Fig. 5

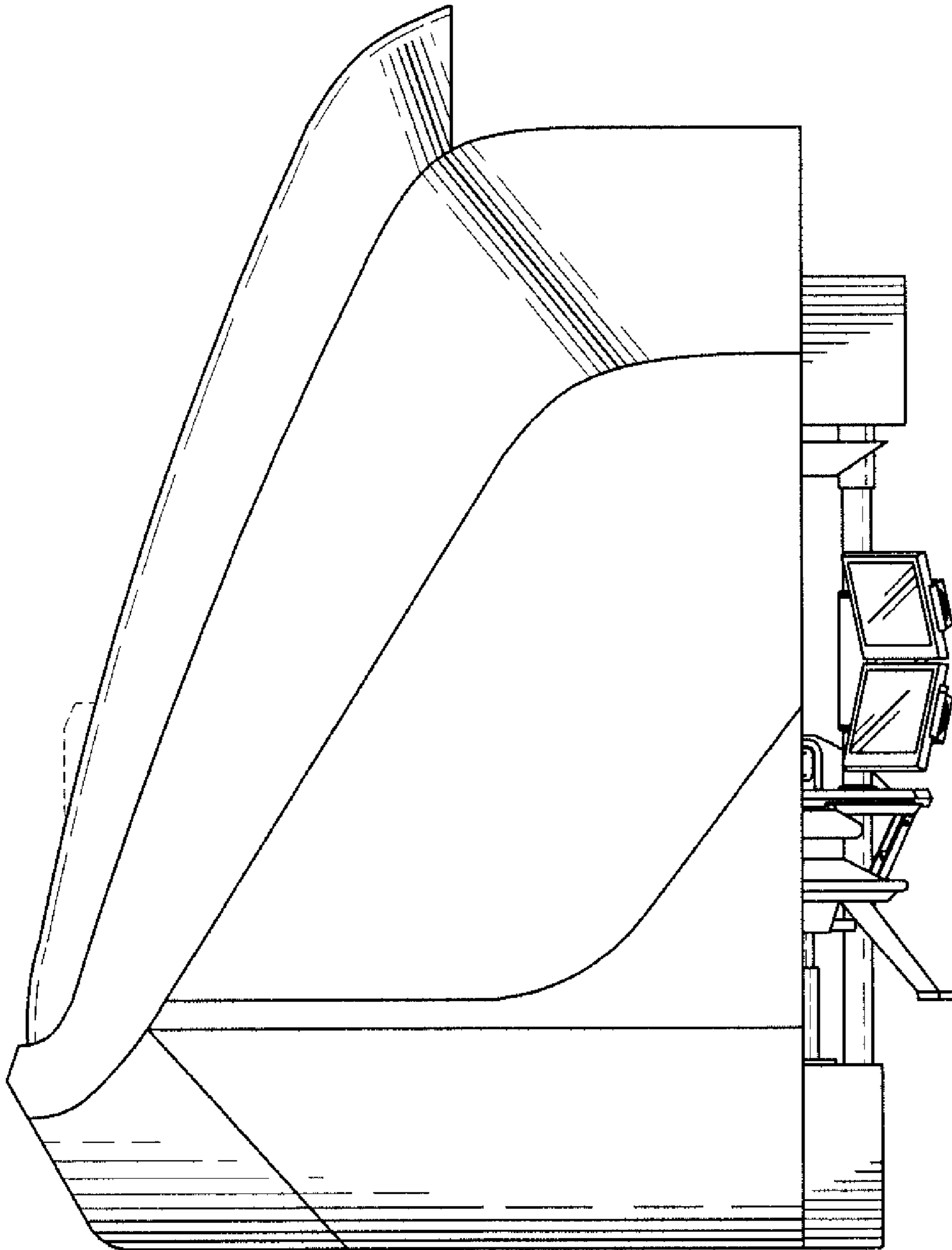


Fig. 6

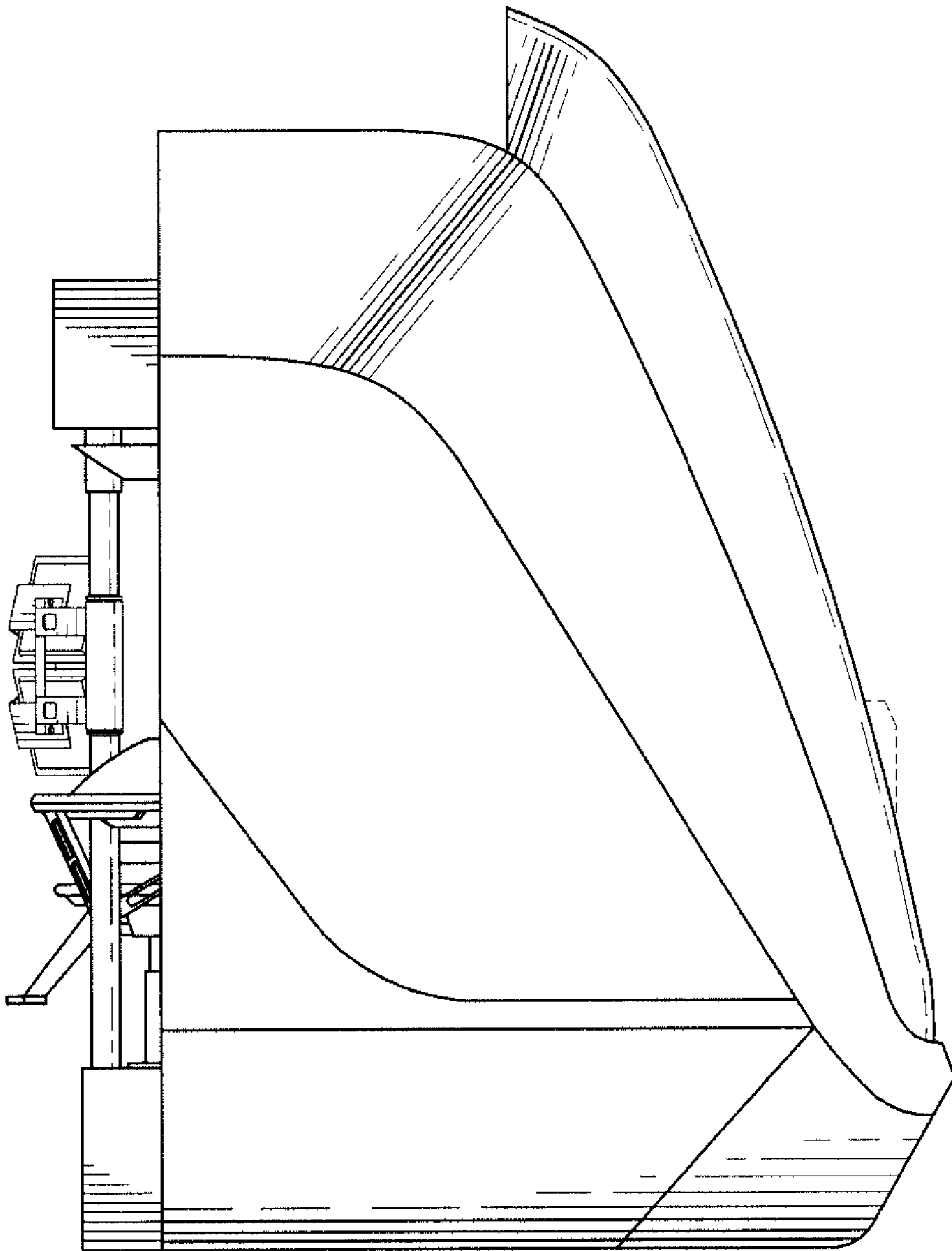


Fig-7