



US00D558828S

(12) **United States Design Patent**
Kent et al.

(10) **Patent No.:** **US D558,828 S**

(45) **Date of Patent:** **** Jan. 1, 2008**

(54) **WRITING INSTRUMENT**

(75) Inventors: **Michael Kent**, Cumberland, RI (US);
Christopher J. Kuskowski, Ansonia,
CT (US); **Gregory K. Hoffman**,
Redding, CT (US)

(73) Assignee: **Societe BIC**, Clichy (FR)

(**) Term: **14 Years**

(21) Appl. No.: **29/226,031**

(22) Filed: **Mar. 23, 2005**

(51) **LOC (8) Cl.** **19-06**

(52) **U.S. Cl.** **D19/51**

(58) **Field of Classification Search** D19/36,
D19/37, 41-51, 54-57; 24/11 R, 11 F, 11 P;
401/52, 99, 100, 104, 105, 106, 107, 108,
401/109, 192, 195, 243-247
See application file for complete search history.

(56) **References Cited**

U.S. PATENT DOCUMENTS

D431,599 S * 10/2000 Izushima D19/47
D441,015 S * 4/2001 Izushima D19/47

D448,803 S * 10/2001 Izushima D19/51
D457,563 S 5/2002 Moon
D458,306 S * 6/2002 Moon D19/51
D476,033 S * 6/2003 Bain D19/51
7,014,380 B2 * 3/2006 Ono et al. 401/17
D522,579 S * 6/2006 Sim D19/36

* cited by examiner

Primary Examiner—Elizabeth A. Albert

(74) *Attorney, Agent, or Firm*—The H.T. Than Law Group

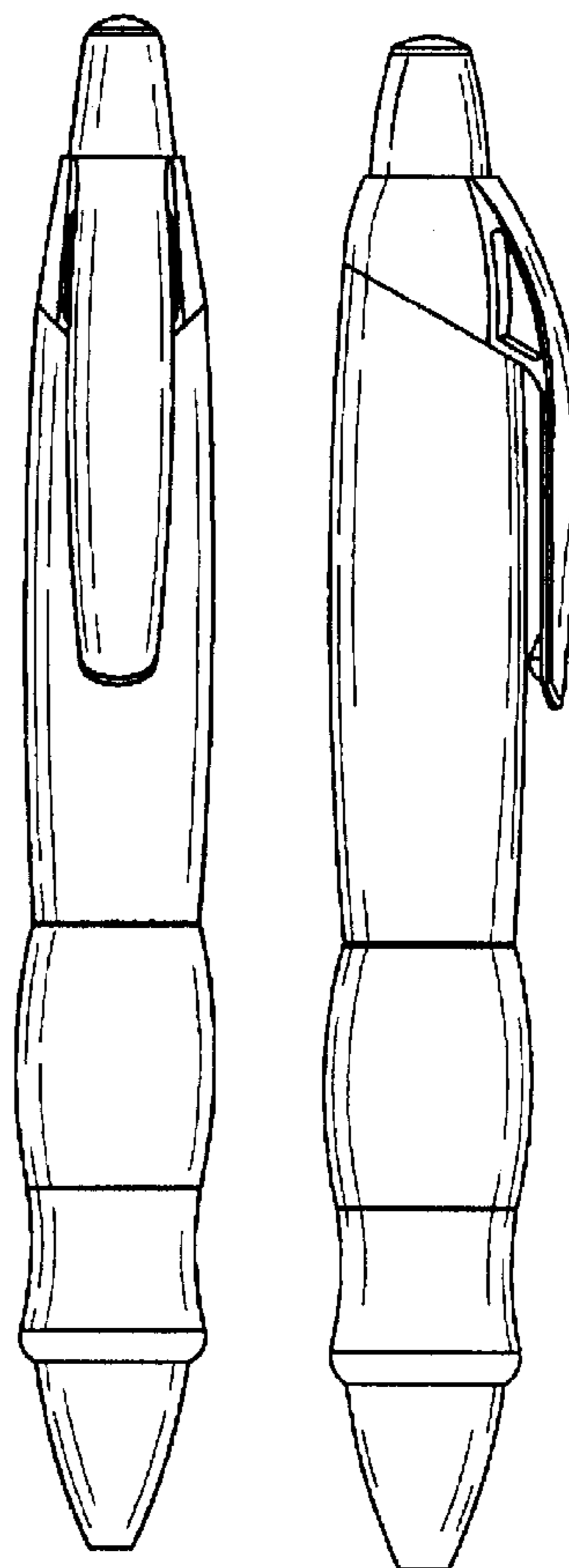
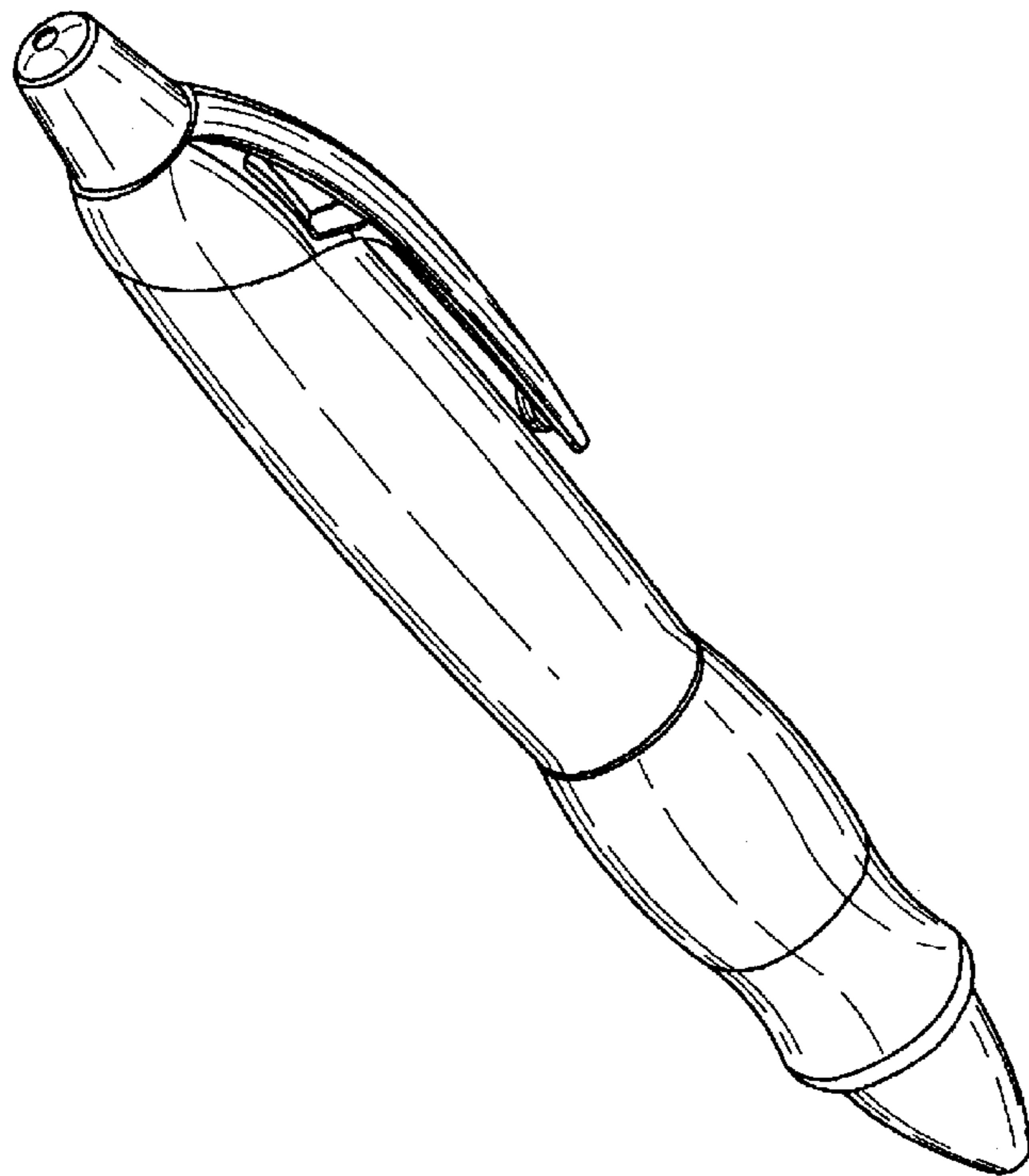
(57) **CLAIM**

The ornamental design for a writing instrument, as shown and described.

DESCRIPTION

FIG. 1 is a front, right perspective view of a writing instrument showing our new design; FIG. 2 is a front elevational view thereof; FIG. 3 is a back elevational view thereof; FIG. 4 is a right side elevational view thereof; FIG. 5 is a left side elevational view thereof; FIG. 6 is a top plan view thereof; and, FIG. 7 is a bottom plan view thereof.

1 Claim, 4 Drawing Sheets



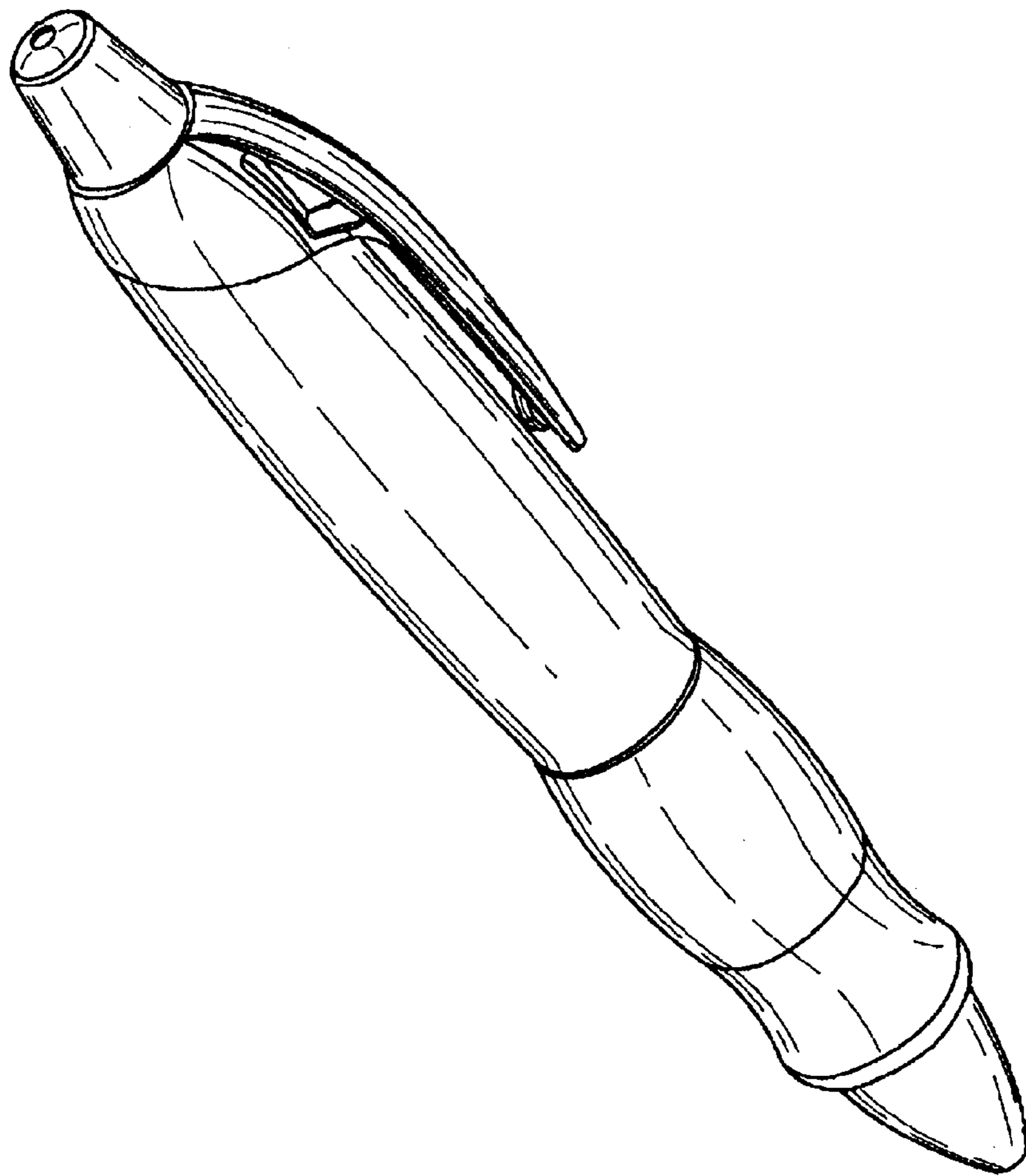


Fig. 1

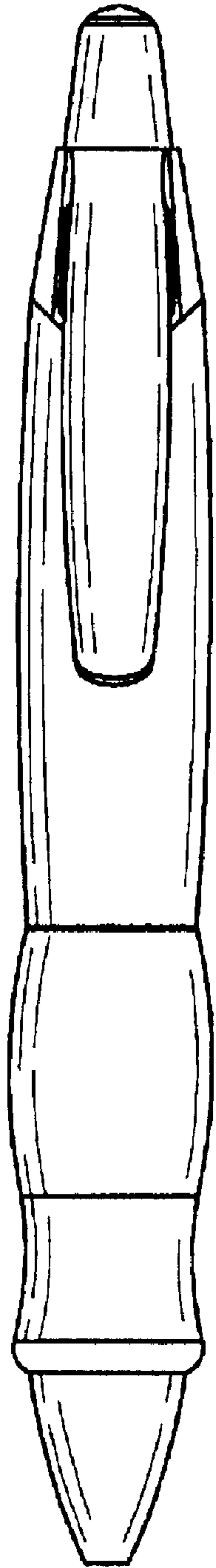


Fig. 2

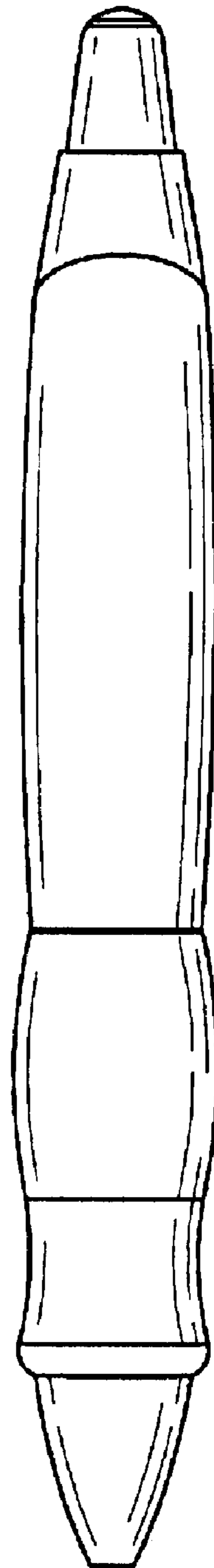


Fig. 3

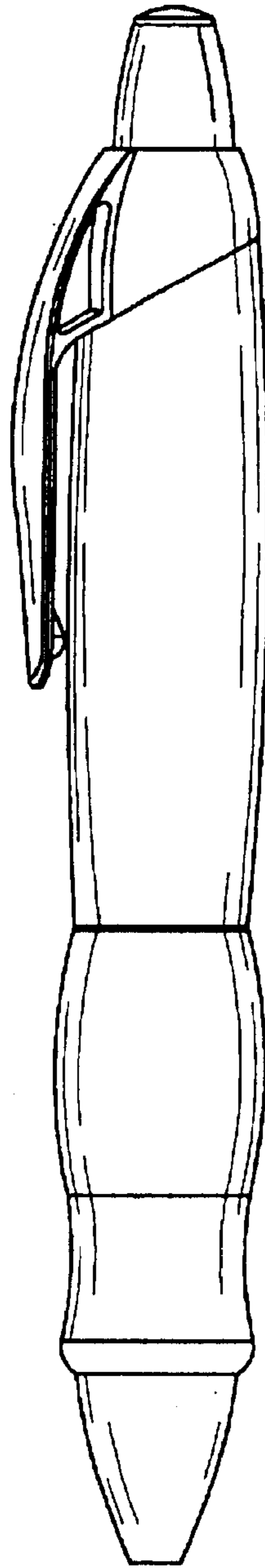


Fig. 4

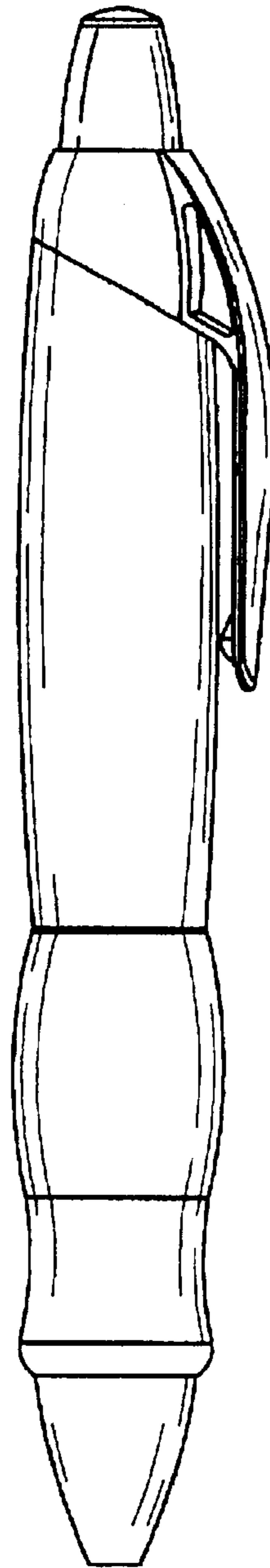


Fig. 5

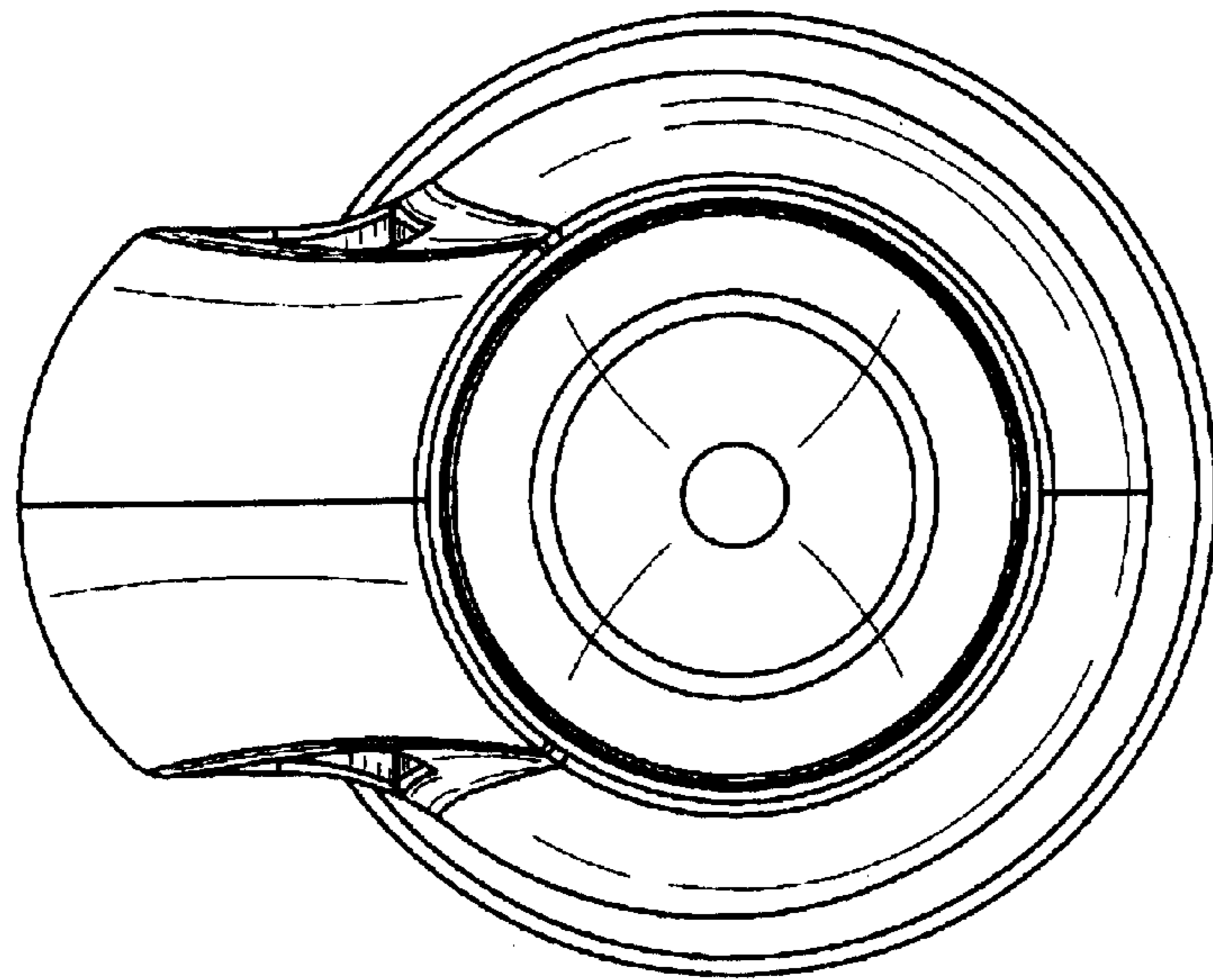


Fig. 6

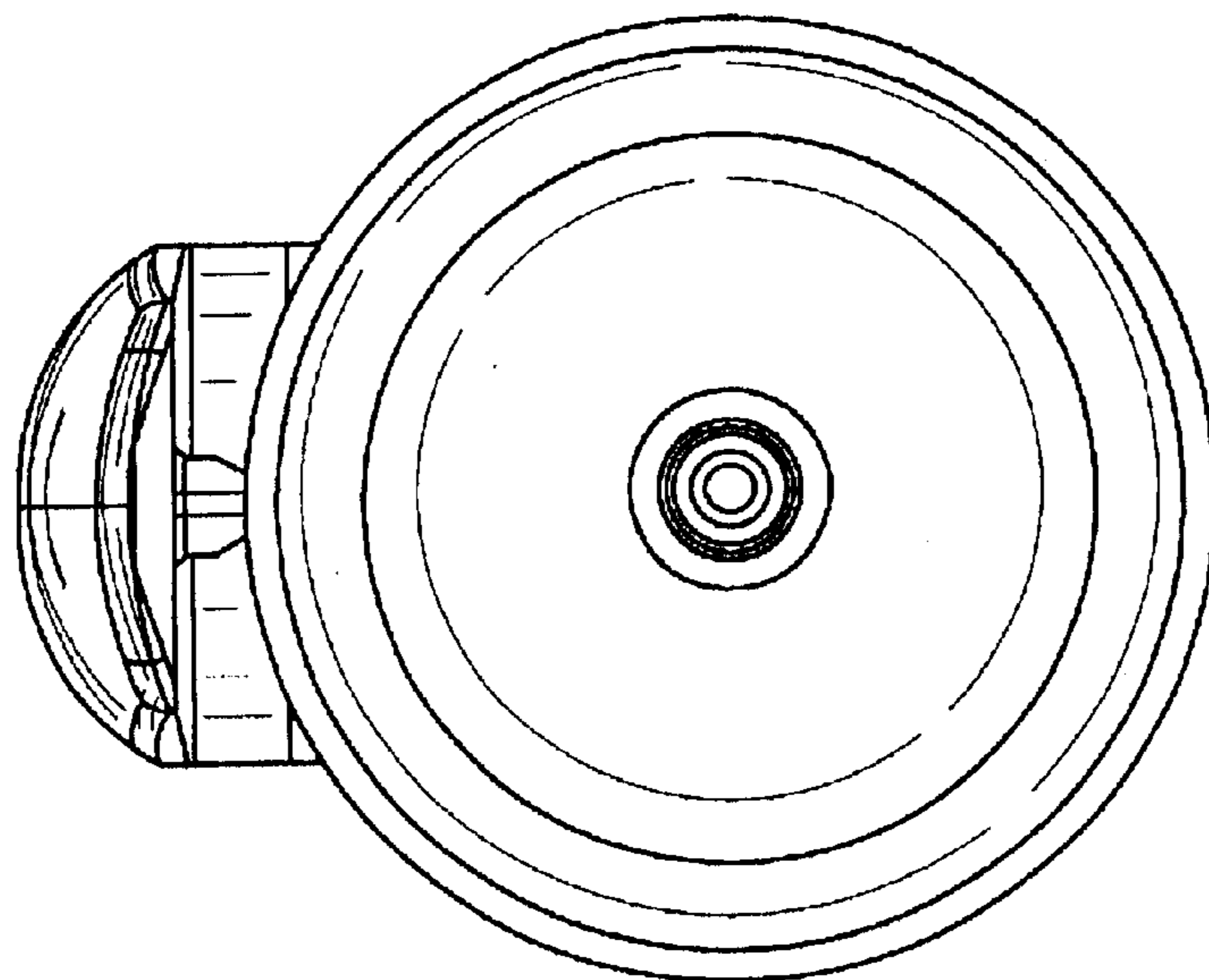


Fig. 7