



US00D558826S

(12) **United States Design Patent**
Tam

(10) **Patent No.:** **US D558,826 S**

(45) **Date of Patent:** **** Jan. 1, 2008**

(54) **INFO PEN**

(75) **Inventor:** **Sai Ying Tam**, Kowloon (HK)

(73) **Assignee:** **Samson Innovation Corporation Ltd.**,
Kowloon (HK)

(**) **Term:** **14 Years**

(21) **Appl. No.:** **29/262,959**

(22) **Filed:** **Jul. 14, 2006**

(51) **LOC (8) Cl.** **19-06**

(52) **U.S. Cl.** **D19/36**

(58) **Field of Classification Search** D19/35,
D19/36, 41-51, 53-57; 24/11 R, 11 F, 11 P;
401/52, 99, 100, 104, 105, 106, 107, 108,
401/109, 192, 195, 196

See application file for complete search history.

(56) **References Cited**

U.S. PATENT DOCUMENTS

1,262,972	A *	4/1918	Olson	40/334
1,561,725	A *	11/1925	Kerley	40/334
2,224,470	A *	12/1940	Boust	242/588.1
2,601,650	A *	6/1952	Walter et al.	225/44
D297,649	S *	9/1988	Schiffner	D19/36
4,984,379	A *	1/1991	Lee	40/334
D324,068	S *	2/1992	Herbst et al.	D19/50
D329,459	S *	9/1992	Sullivan	D19/36
D338,036	S *	8/1993	Sullivan	D19/36

D393,280	S *	4/1998	Cheng	D19/42
D401,967	S *	12/1998	Tam	D19/36
D444,498	S *	7/2001	Izushima	D19/49
D519,563	S *	4/2006	Pellissa Beneyto	D19/51
7,040,829	B2 *	5/2006	Lin	401/195
2006/0222442	A1 *	10/2006	Lin	401/195

FOREIGN PATENT DOCUMENTS

WO DM/067506 * 2/2006

* cited by examiner

Primary Examiner—Elizabeth A. Albert

(74) *Attorney, Agent, or Firm*—Rabin & Berdo, P.C.

(57) **CLAIM**

The ornamental design for a info pen, as shown and described.

DESCRIPTION

FIG. 1 is a front view of a info pen showing my new design;

FIG. 2 is a rear view thereof;

FIG. 3 is a left side view thereof;

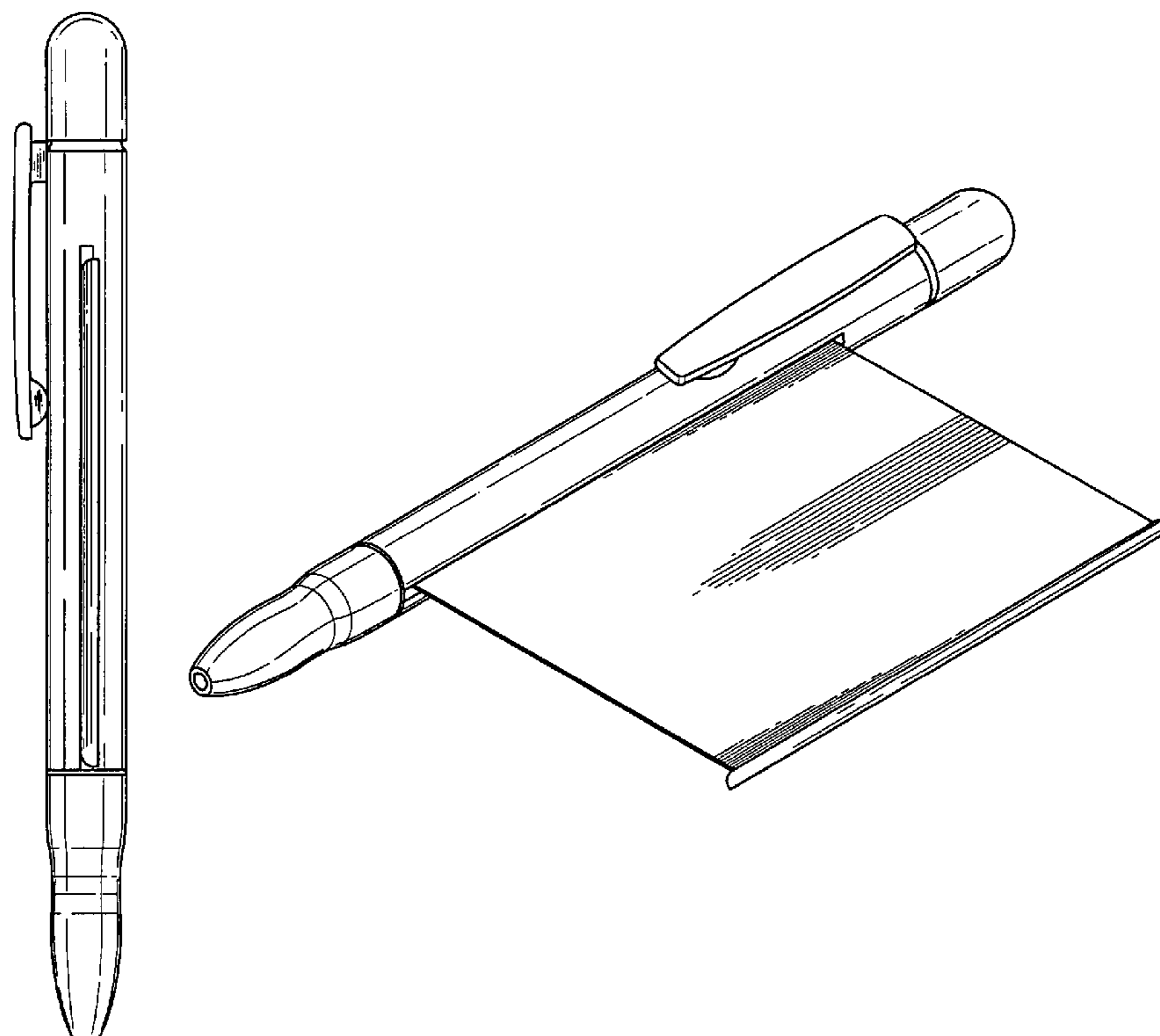
FIG. 4 is a right side view thereof;

FIG. 5 is a top view thereof;

FIG. 6 is a bottom view thereof; and,

FIG. 7 is a perspective view in a condition of use.

1 Claim, 3 Drawing Sheets



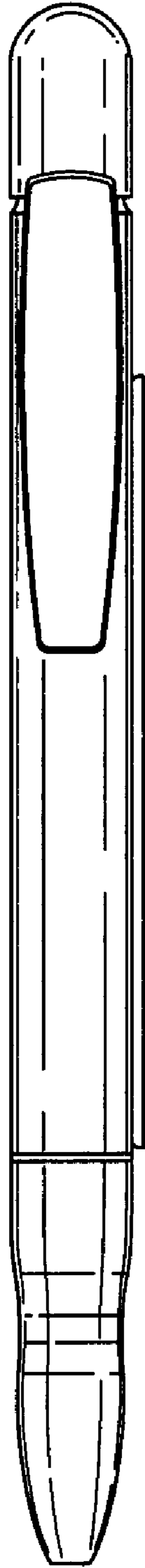


Fig 1



Fig 2

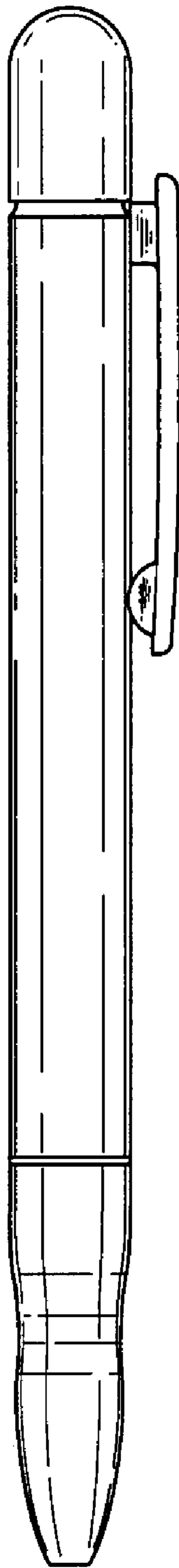


Fig 3

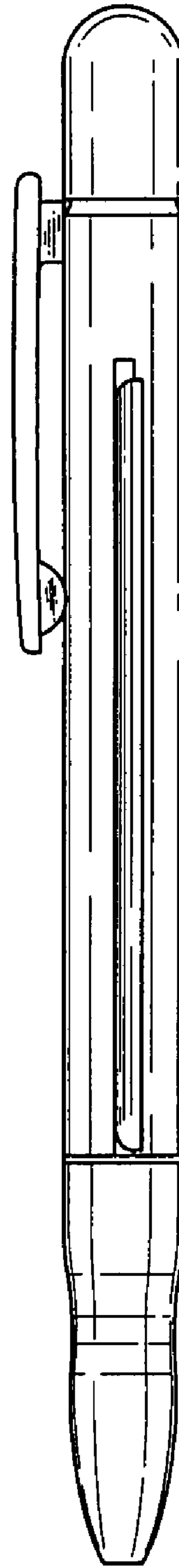


Fig 4

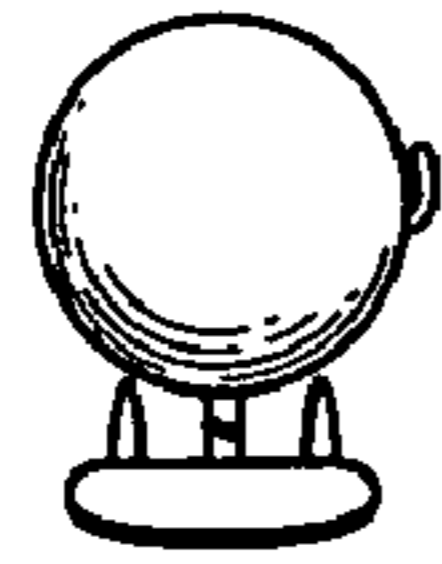


Fig 5

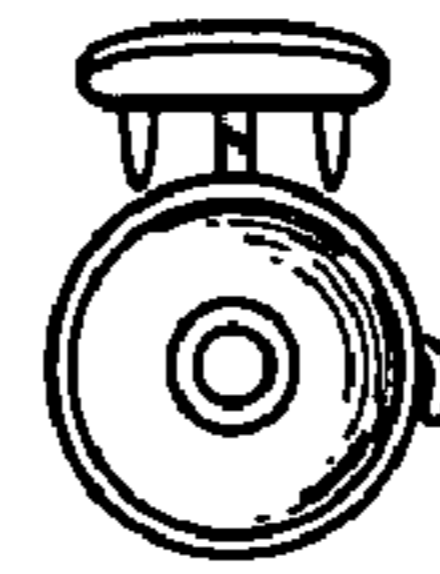


Fig 6

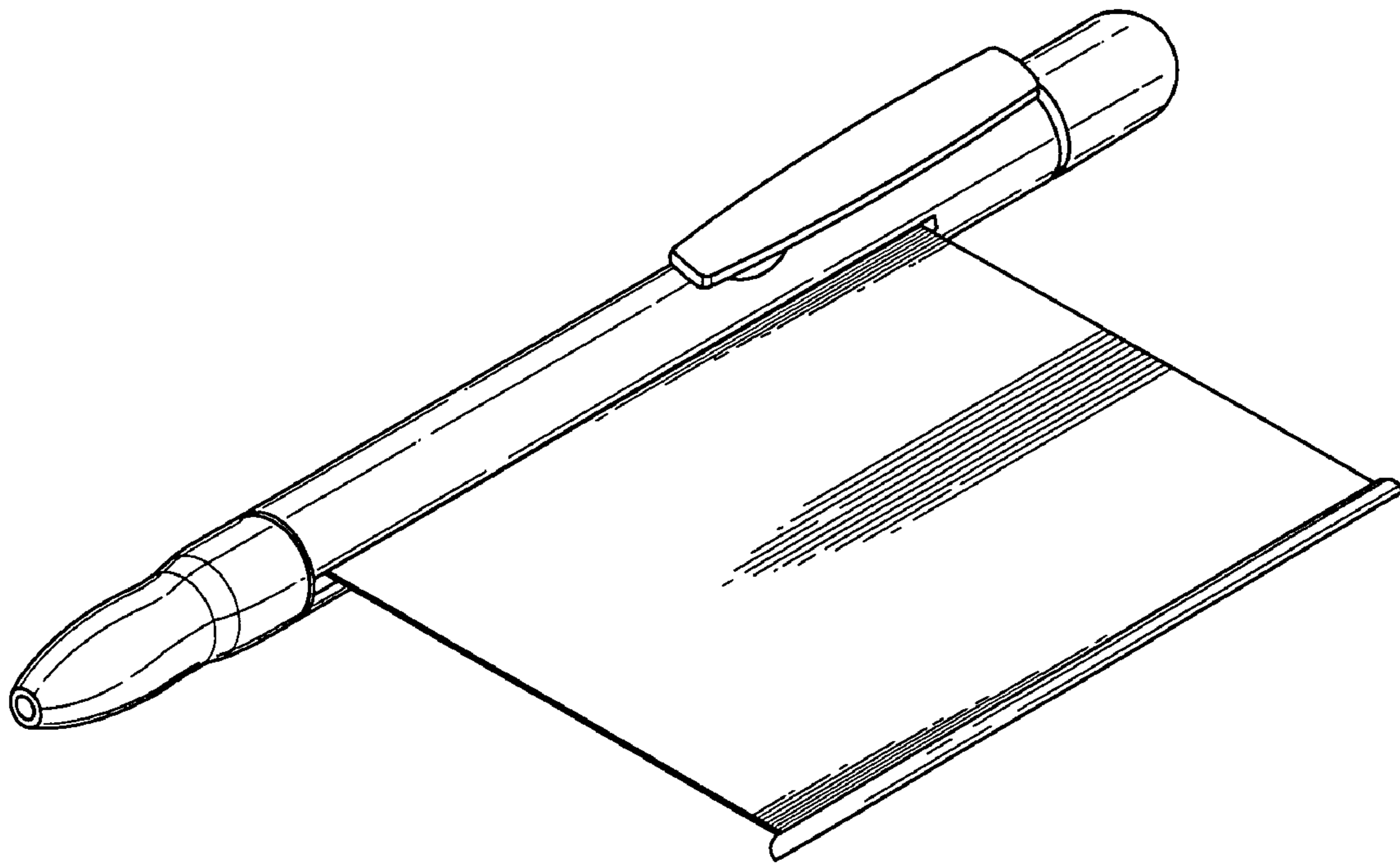


Fig 7