



US00D558823S

(12) **United States Design Patent**
Alfonso et al.

(10) **Patent No.:** **US D558,823 S**

(45) **Date of Patent:** **** Jan. 1, 2008**

(54) **PRINTER HOUSING**

(75) Inventors: **Pedro M. Alfonso**, Austin, TX (US);
Michael E. Smith, Austin, TX (US)

(73) Assignee: **Dell Products L.P.**, Round Rock, TX (US)

(**) Term: **14 Years**

(21) Appl. No.: **29/249,506**

(22) Filed: **Oct. 10, 2006**

(51) **LOC (8) Cl.** **14-02**

(52) **U.S. Cl.** **D18/55**

(58) **Field of Classification Search** D18/36-39,
D18/50, 54, 54.1, 55; D14/420-425, 462-463;
400/613, 613.1-613.4, 690.1-690.4, 691-694
See application file for complete search history.

(56) **References Cited**

U.S. PATENT DOCUMENTS

D350,765 S *	9/1994	Hiroki et al.	D18/36
D483,401 S *	12/2003	LaBarbera	D18/39
D499,759 S	12/2004	Kobayashi et al.	D18/55
D501,019 S *	1/2005	Yoshida et al.	D18/39
D501,667 S *	2/2005	Ishigami et al.	D18/50
D505,447 S	5/2005	Wong et al.	D18/50
D508,713 S	8/2005	Fetherolf et al.	D18/55
D509,831 S	9/2005	Mitani et al.	D14/486
D509,845 S	9/2005	Miyauchi et al.	D18/50

D528,155 S *	9/2006	Katayama	D18/55
D532,450 S *	11/2006	Smith et al.	D18/55
D533,218 S *	12/2006	Gant et al.	D18/55
D549,770 S *	8/2007	Clark, III	D18/39

* cited by examiner

Primary Examiner—Cathy Anne MacCormac

(74) *Attorney, Agent, or Firm*—Hamilton & Terrile, LLP;
Stephen A. Terrile

(57) **CLAIM**

The ornamental design for a printer housing, as shown and described.

DESCRIPTION

FIG. 1 is a front perspective view of the printer housing in open position comprising the present invention;

FIG. 2 is a front view thereof;

FIG. 3 is a right side view thereof;

FIG. 4 is a left side view thereof;

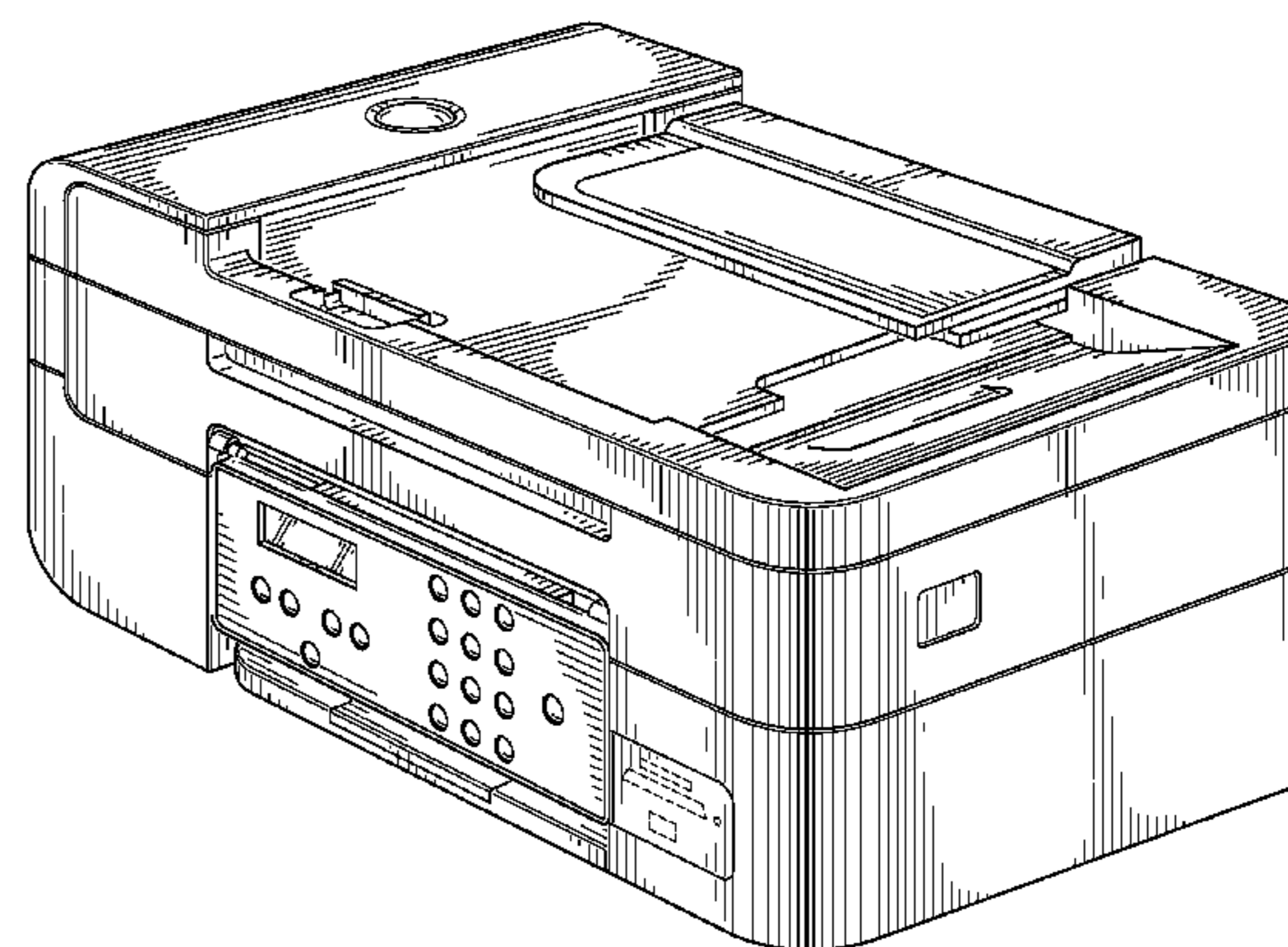
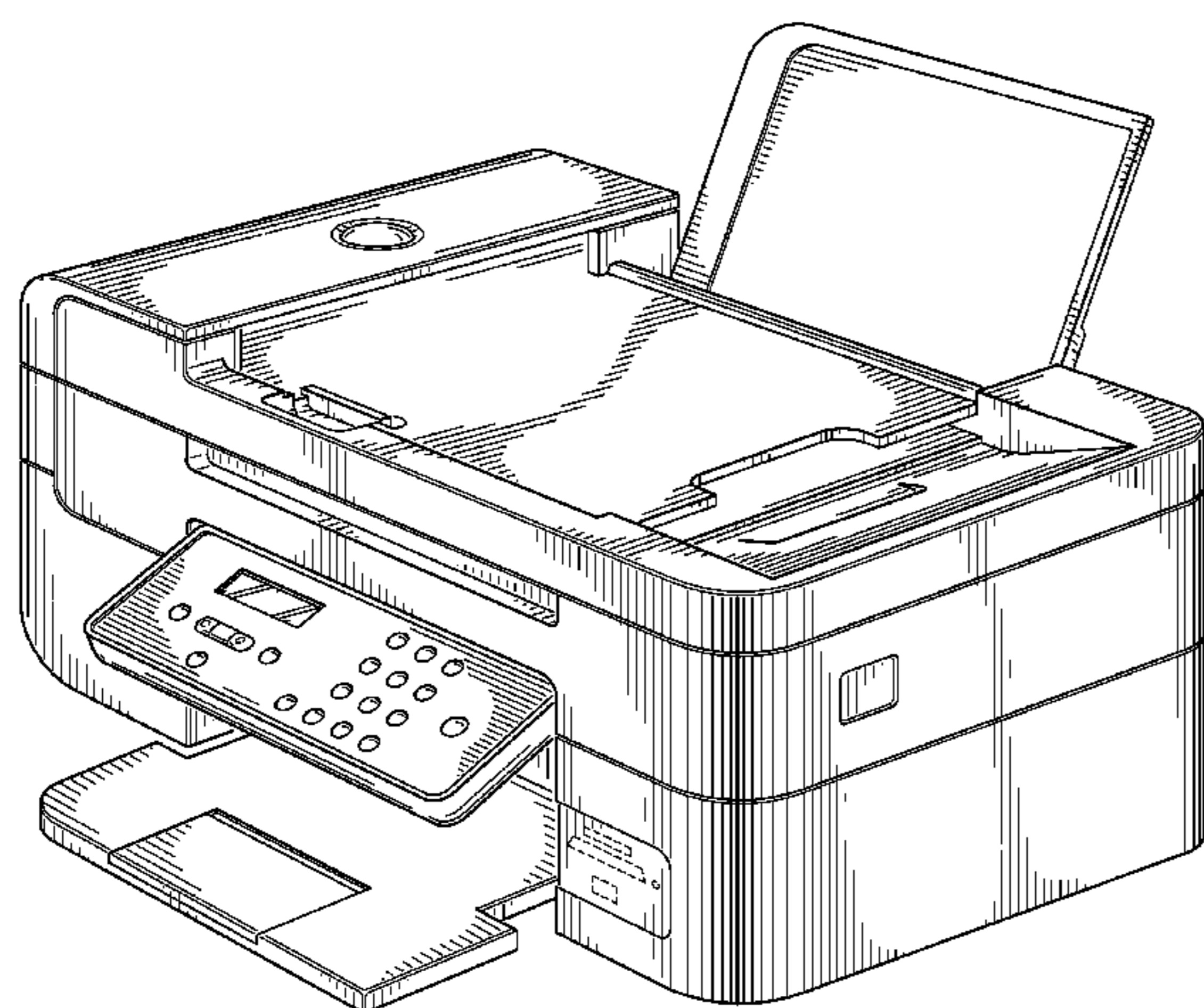
FIG. 5 is a rear view thereof;

FIG. 6 is a top view thereof; and,

FIG. 7 is another front perspective view thereof in closed position.

The broken lines are for illustrative purposes only and form no part of the claimed design.

1 Claim, 5 Drawing Sheets



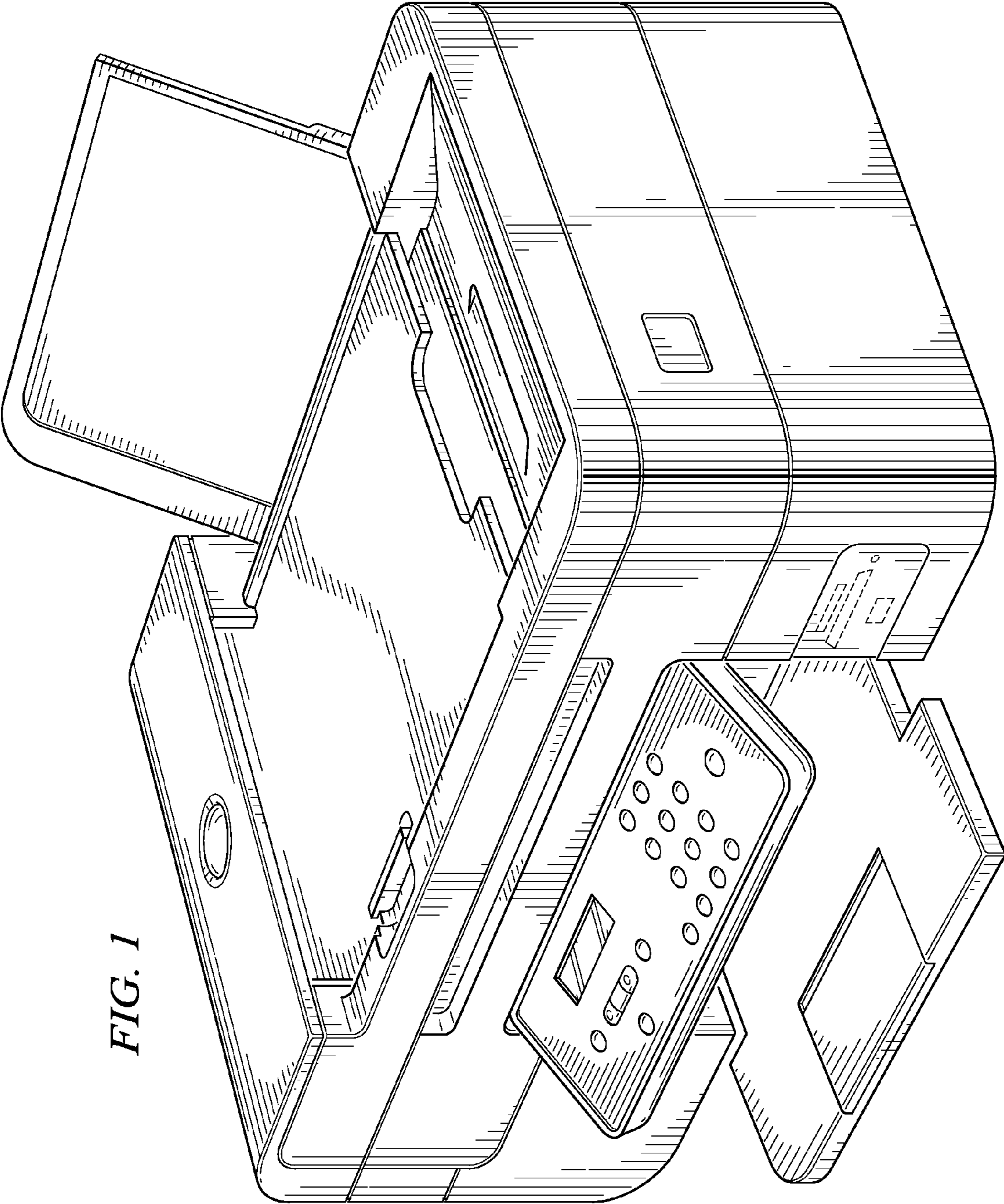


FIG. 1

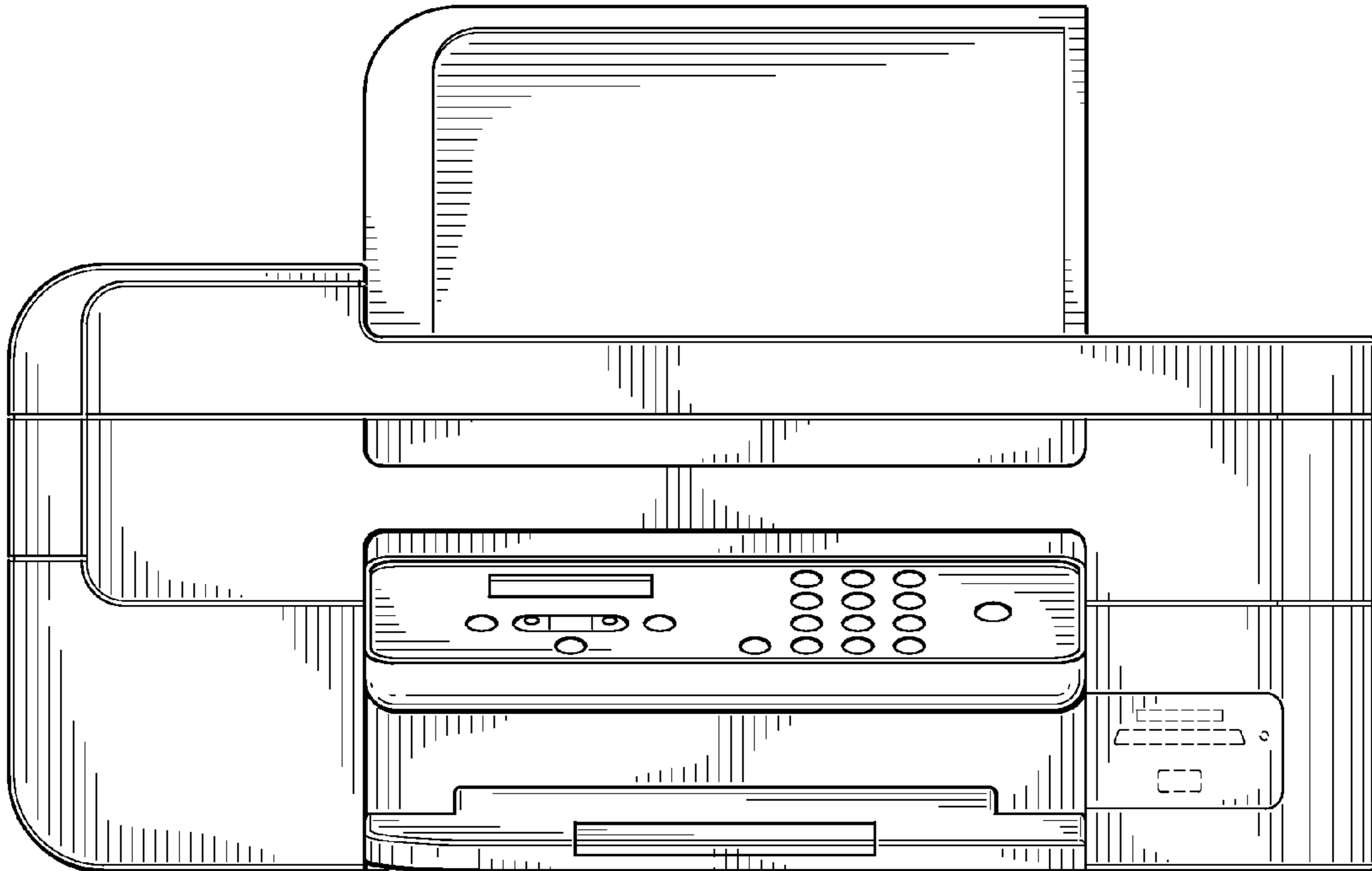


FIG. 2

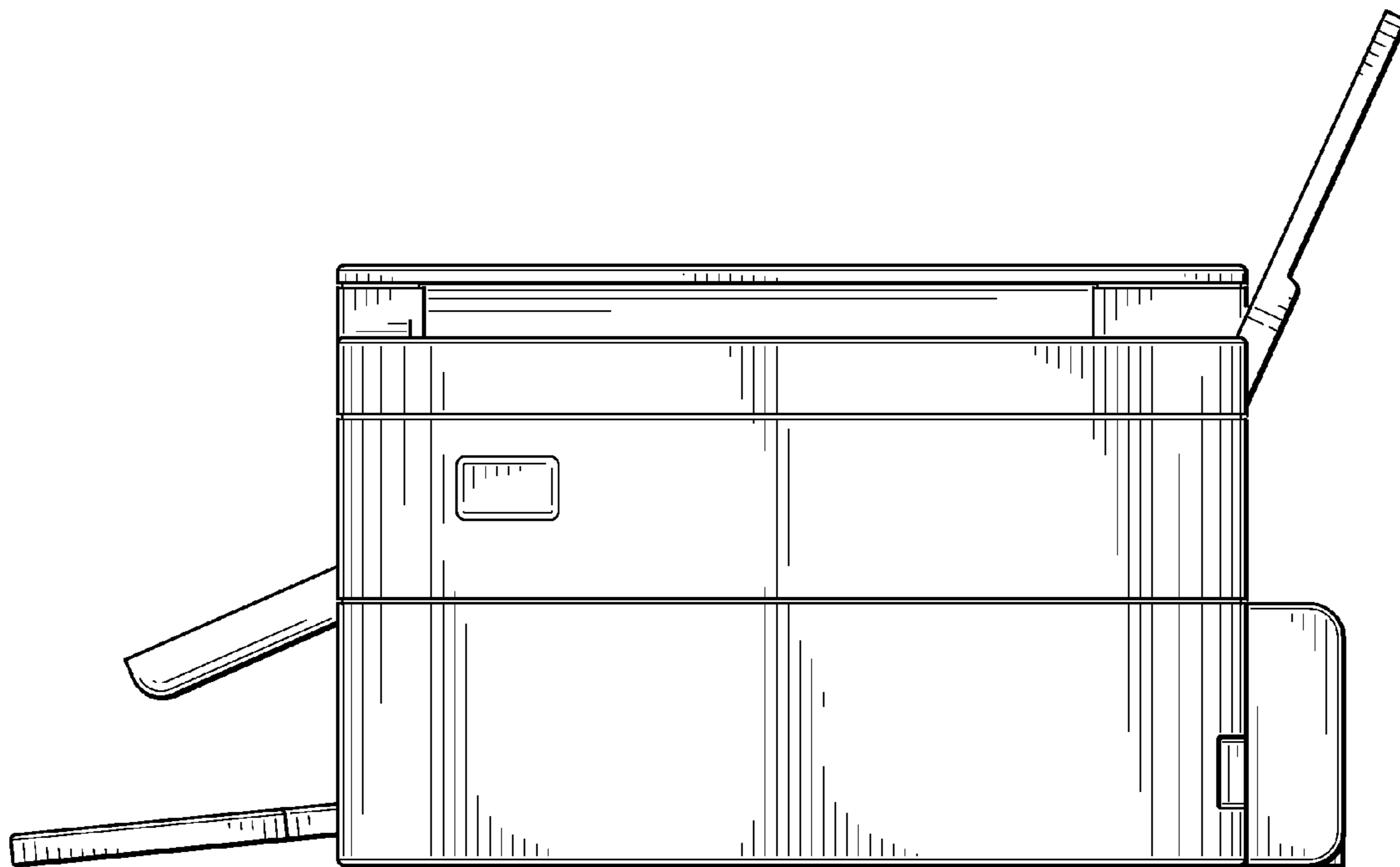


FIG. 3

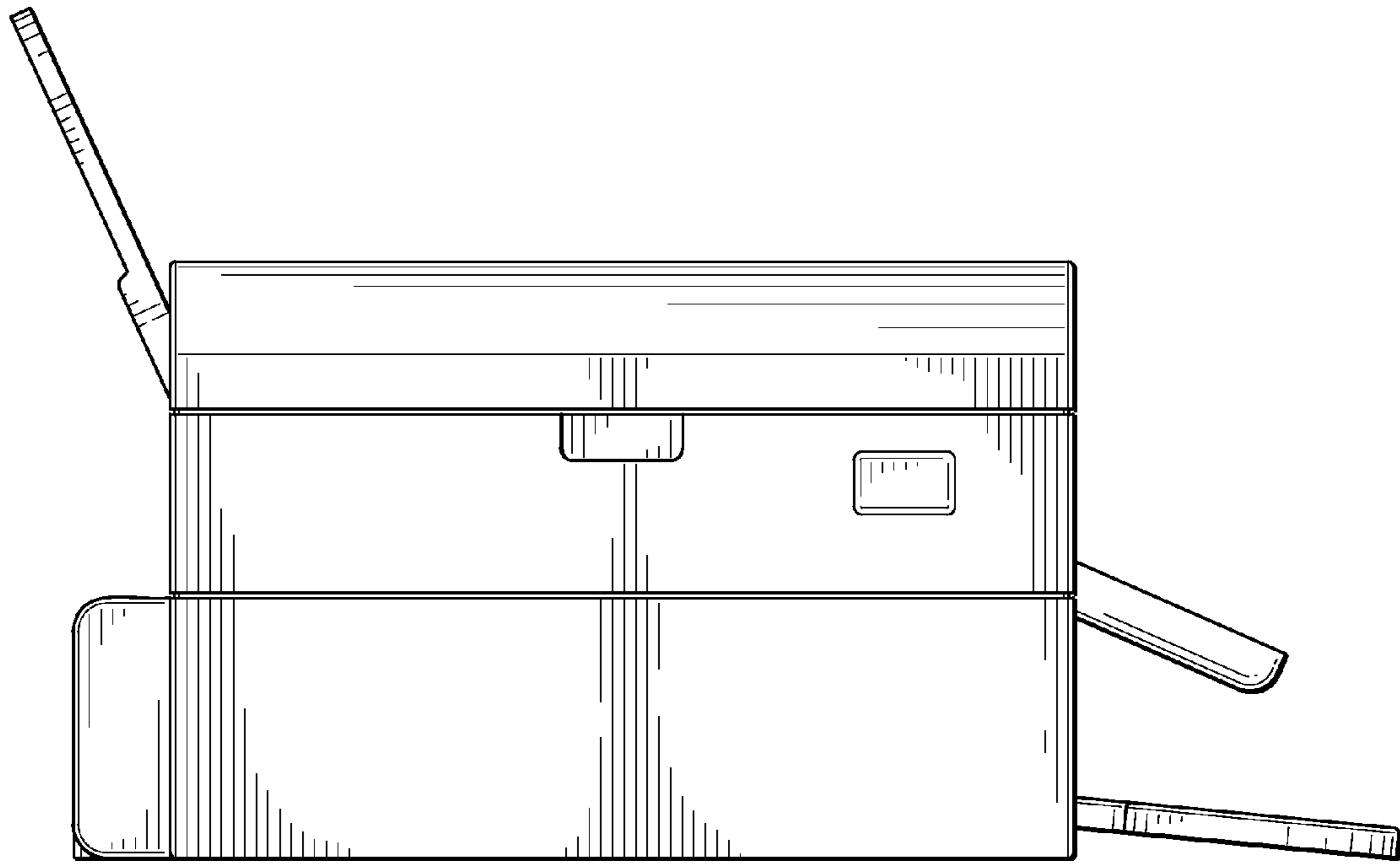


FIG. 4

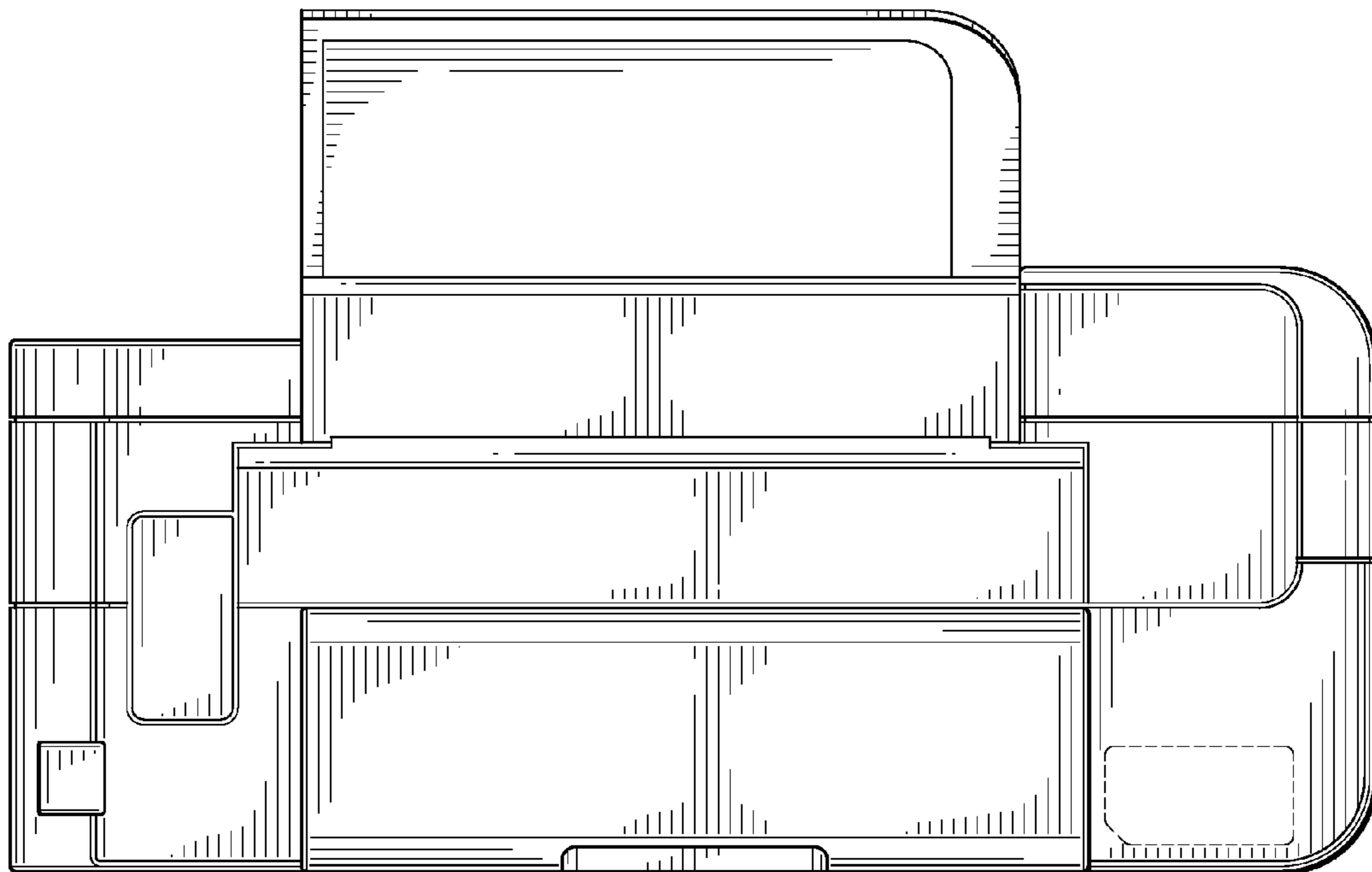


FIG. 5

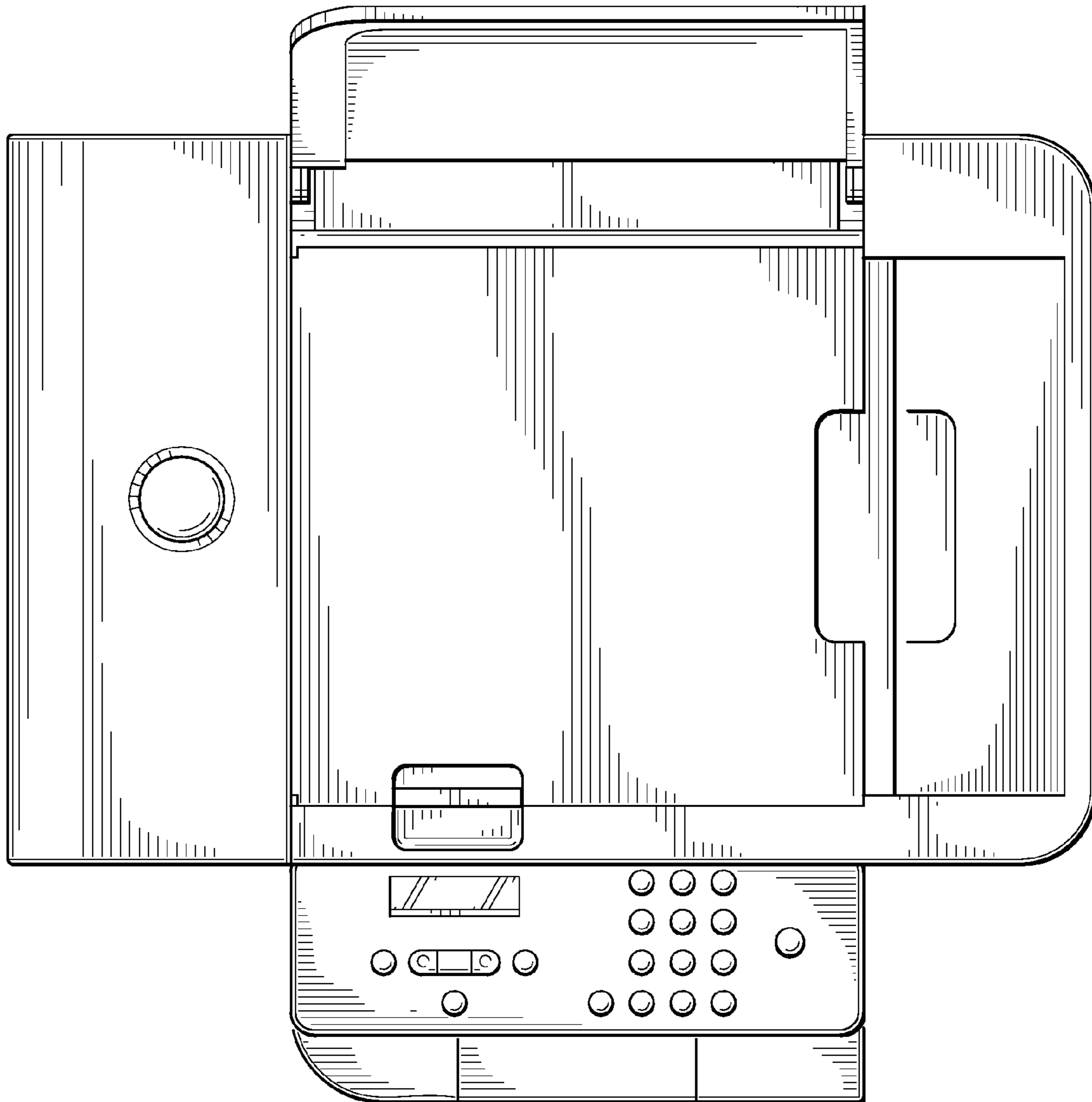


FIG. 6

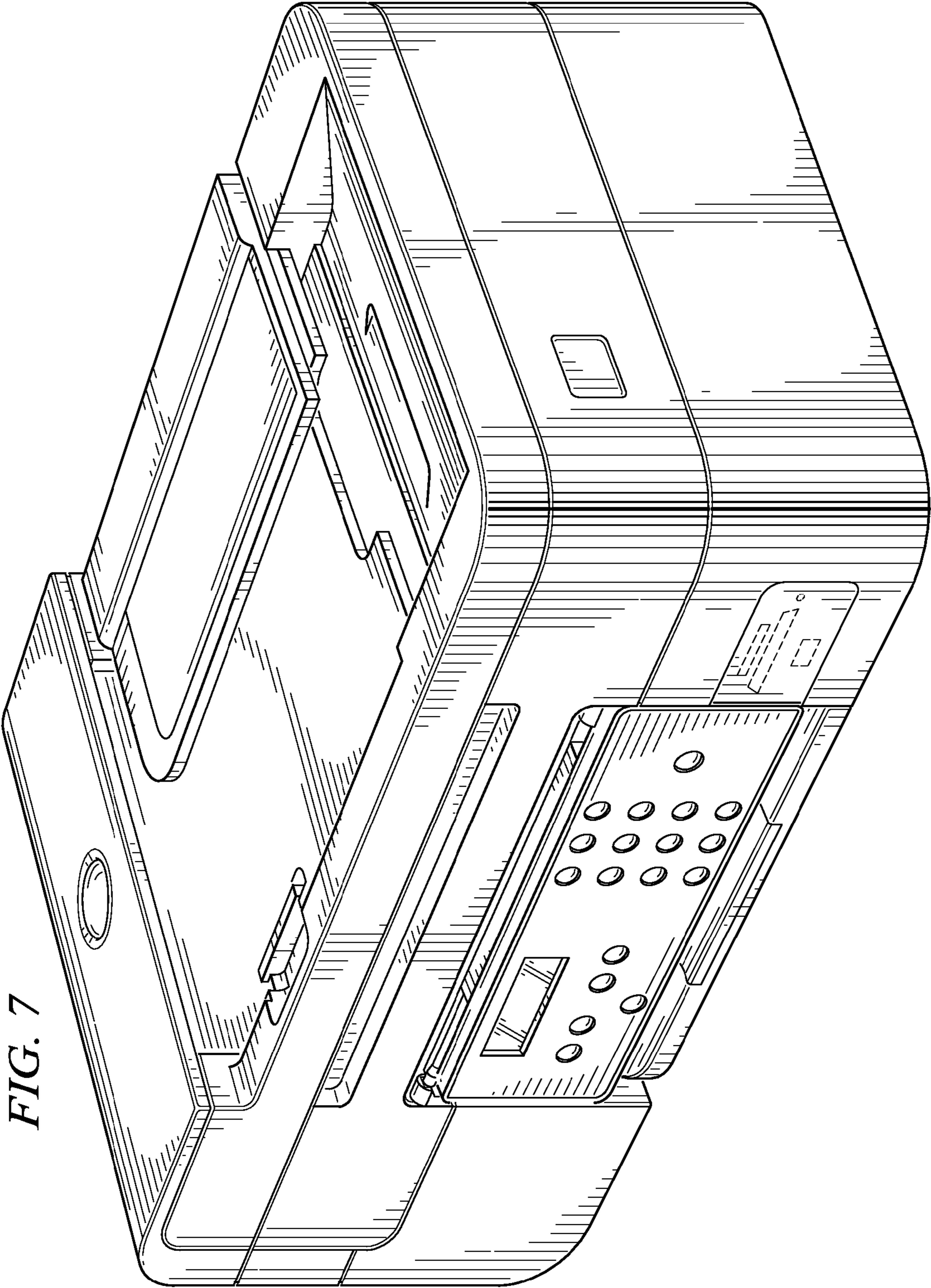


FIG. 7