

US00D558822S

(12) **United States Design Patent**  
**Smith et al.**

(10) **Patent No.:** **US D558,822 S**  
(45) **Date of Patent:** **\*\* Jan. 1, 2008**

(54) **PRINTER HOUSING**

(75) Inventors: **Michael Smith**, Austin, TX (US);  
**Pedro M. Alfonso**, Austin, TX (US);  
**Aaron Vom Eigen**, Austin, TX (US)

(73) Assignee: **Dell Products L.P.**, Round Rock, TX (US)

(\*\*) Term: **14 Years**

(21) Appl. No.: **29/248,836**

(22) Filed: **Sep. 7, 2006**

(51) **LOC (8) Cl.** ..... **18-02**

(52) **U.S. Cl.** ..... **D18/55**

(58) **Field of Classification Search** ..... D18/50,  
D18/54, 54.1, 55; D14/420-425, 462-470;  
400/613, 613.1-613.4, 691-694, 690.1-690.4  
See application file for complete search history.

(56) **References Cited**

**U.S. PATENT DOCUMENTS**

D470,164 S *	2/2003	Obata	.....	D18/50
D501,503 S *	2/2005	Leong et al.	.....	D18/55
D501,874 S	2/2005	Ishigami	.....	D18/50
D502,732 S	3/2005	Ishigami	.....	D18/50
D505,154 S	5/2005	Wong et al.	.....	D18/50

D519,549 S *	4/2006	Tanio	.....	D18/50
D529,950 S *	10/2006	Katayama et al.	.....	D18/50
D532,816 S *	11/2006	Smith et al.	.....	D18/50
D536,373 S *	2/2007	Inoue et al.	.....	D18/55
D540,852 S *	4/2007	Huang et al.	.....	D18/50

\* cited by examiner

*Primary Examiner*—Cathy Anne MacCormac

(74) *Attorney, Agent, or Firm*—Hamilton & Terrile, LLP;  
Robert W. Holland

(57) **CLAIM**

The ornamental design for a printer housing, as shown.

**DESCRIPTION**

FIG. 1 is a right front perspective view of a printer housing comprising the present invention;

FIG. 2 is a front elevation view thereof;

FIG. 3 is a right side elevation view thereof;

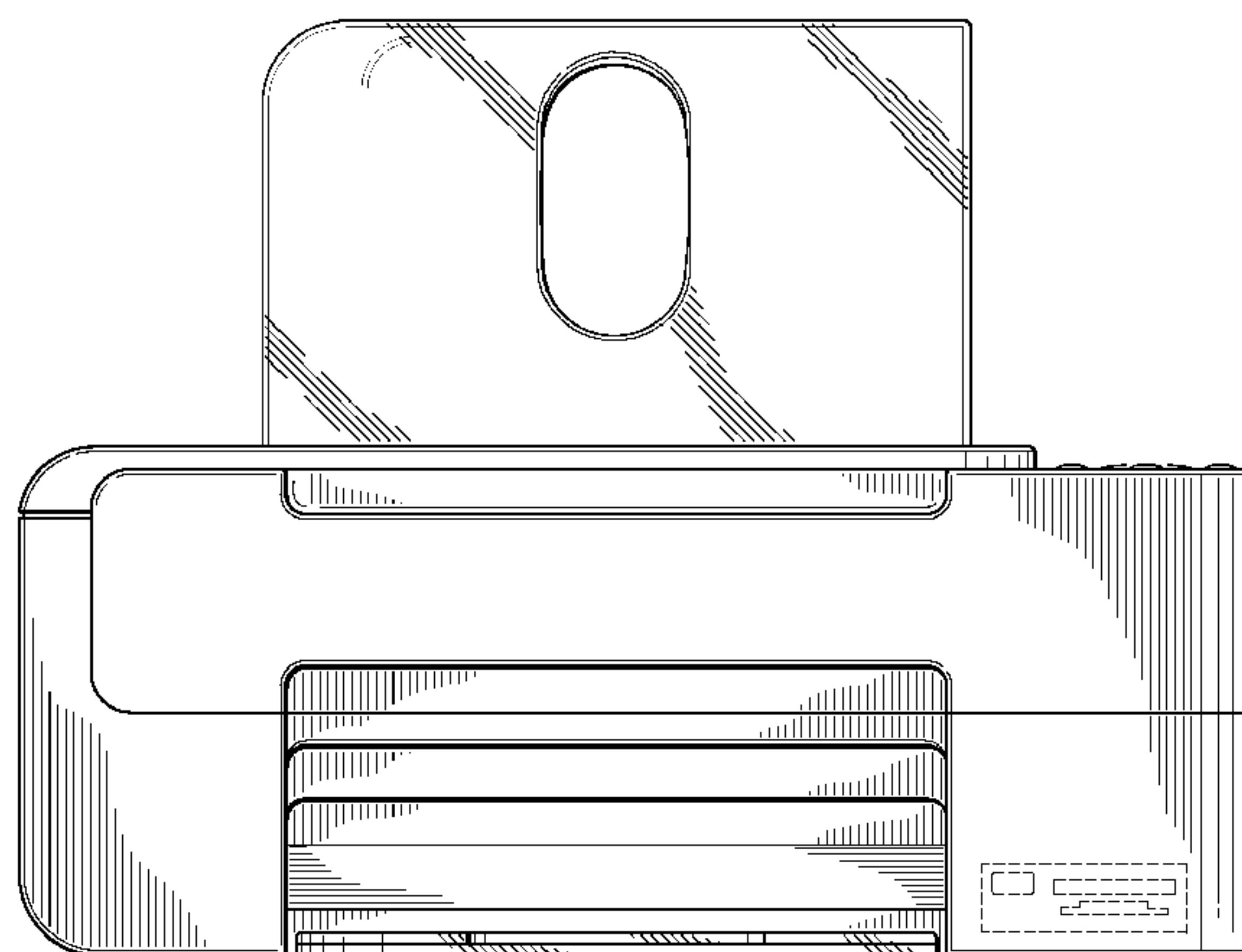
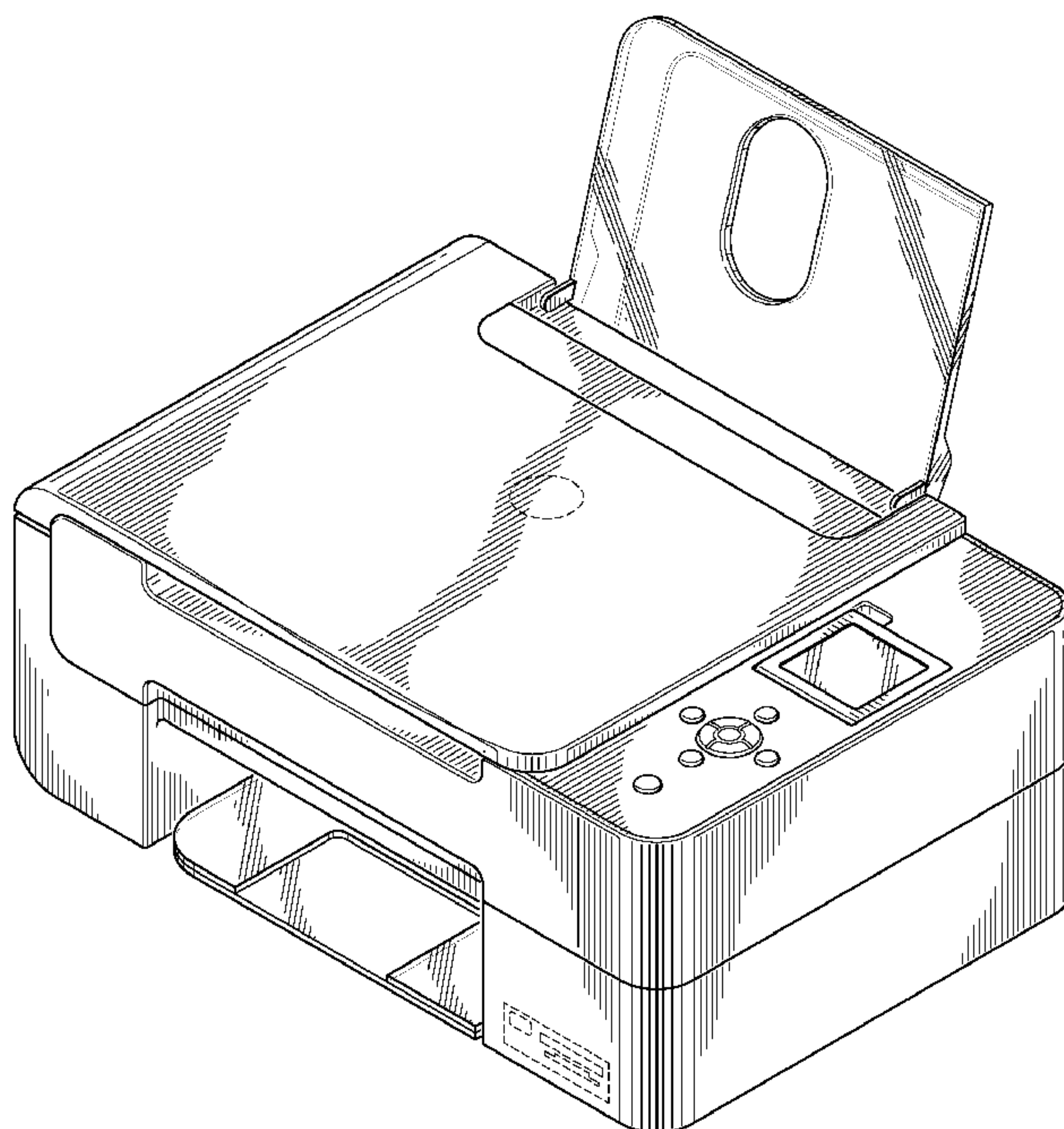
FIG. 4 is a left side elevation view thereof;

FIG. 5 is a rear elevation view thereof; and,

FIG. 6 is a top plan view thereof.

The broken lines are for purposes of illustration only and form no part of the claimed design.

**1 Claim, 4 Drawing Sheets**



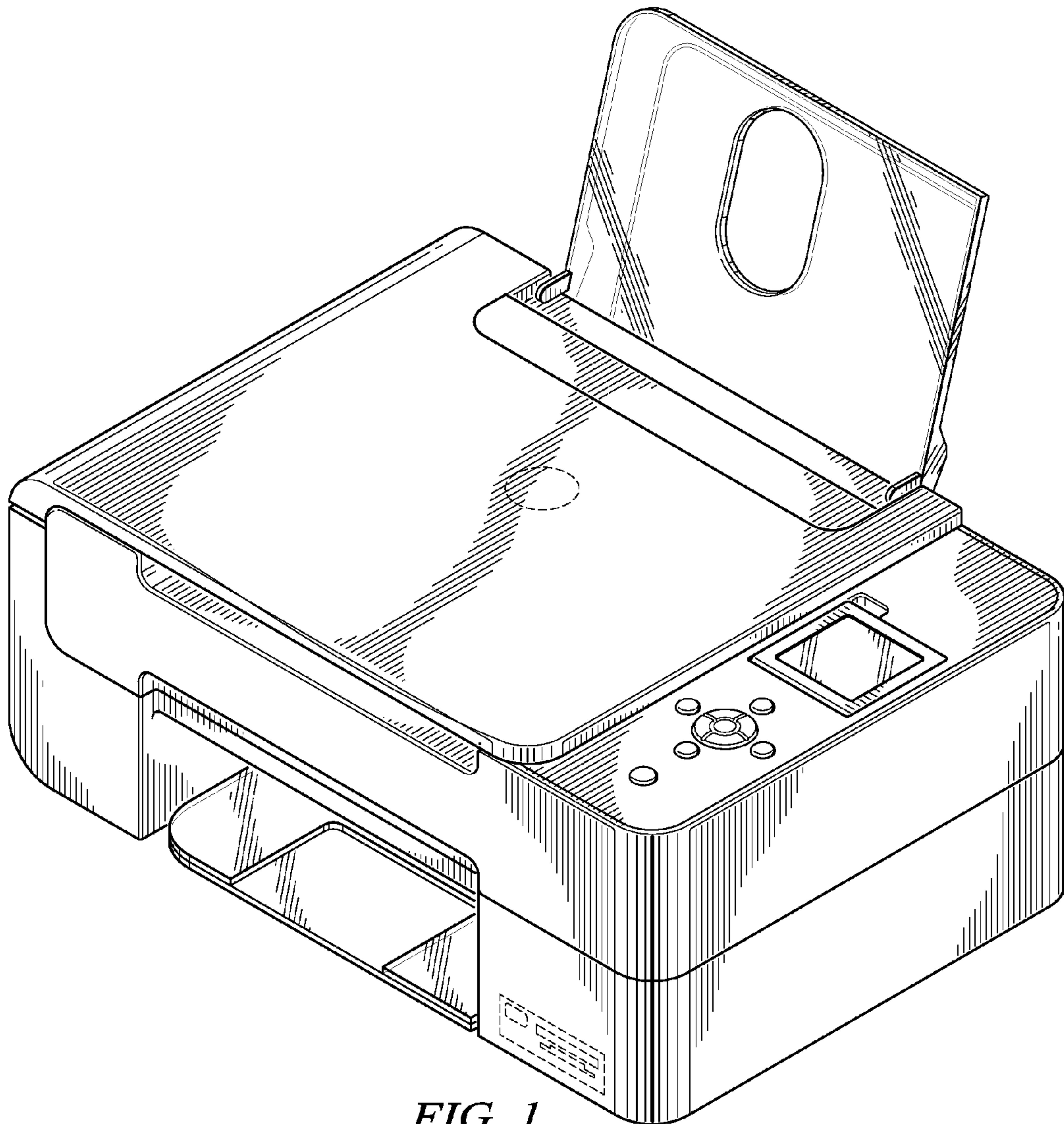
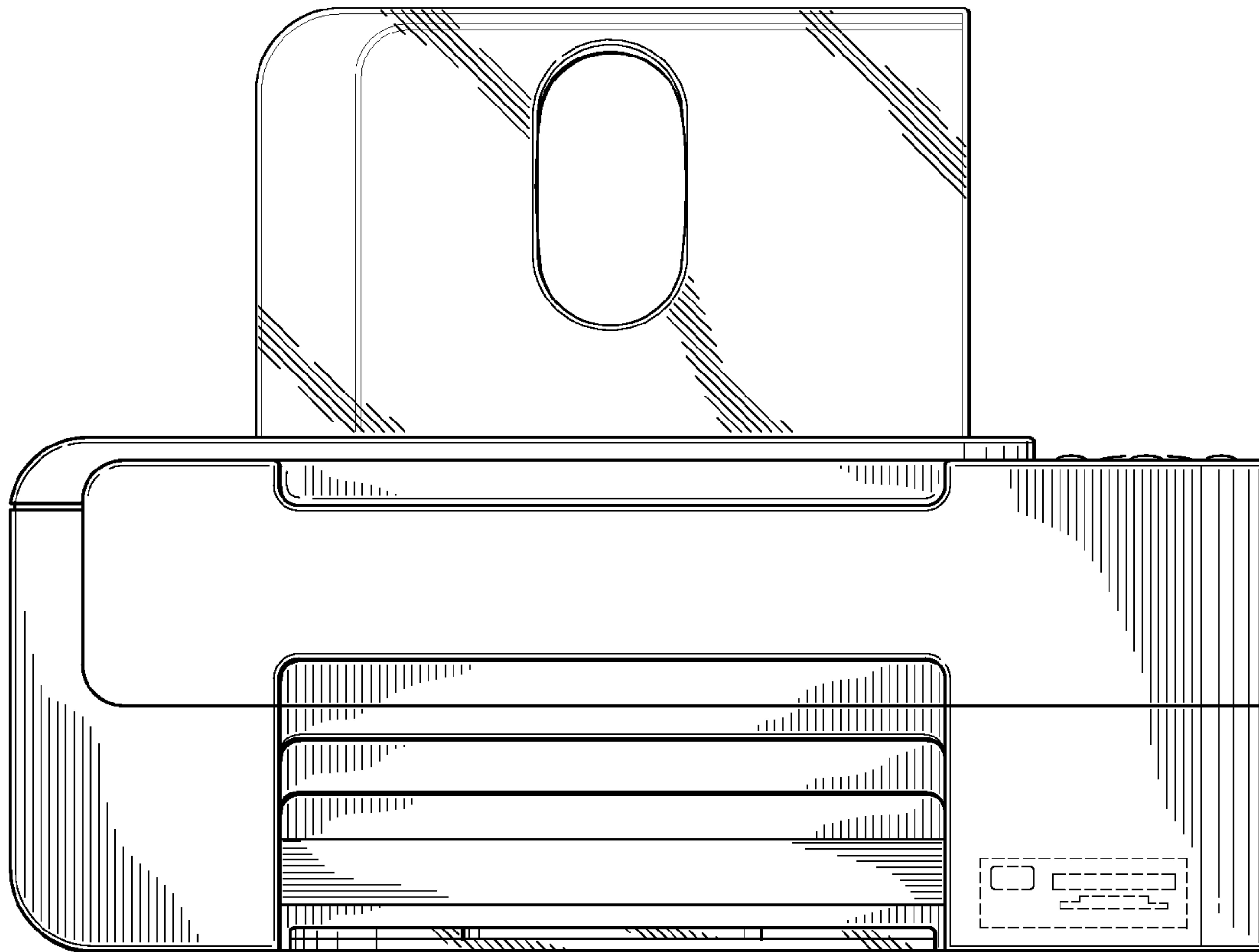
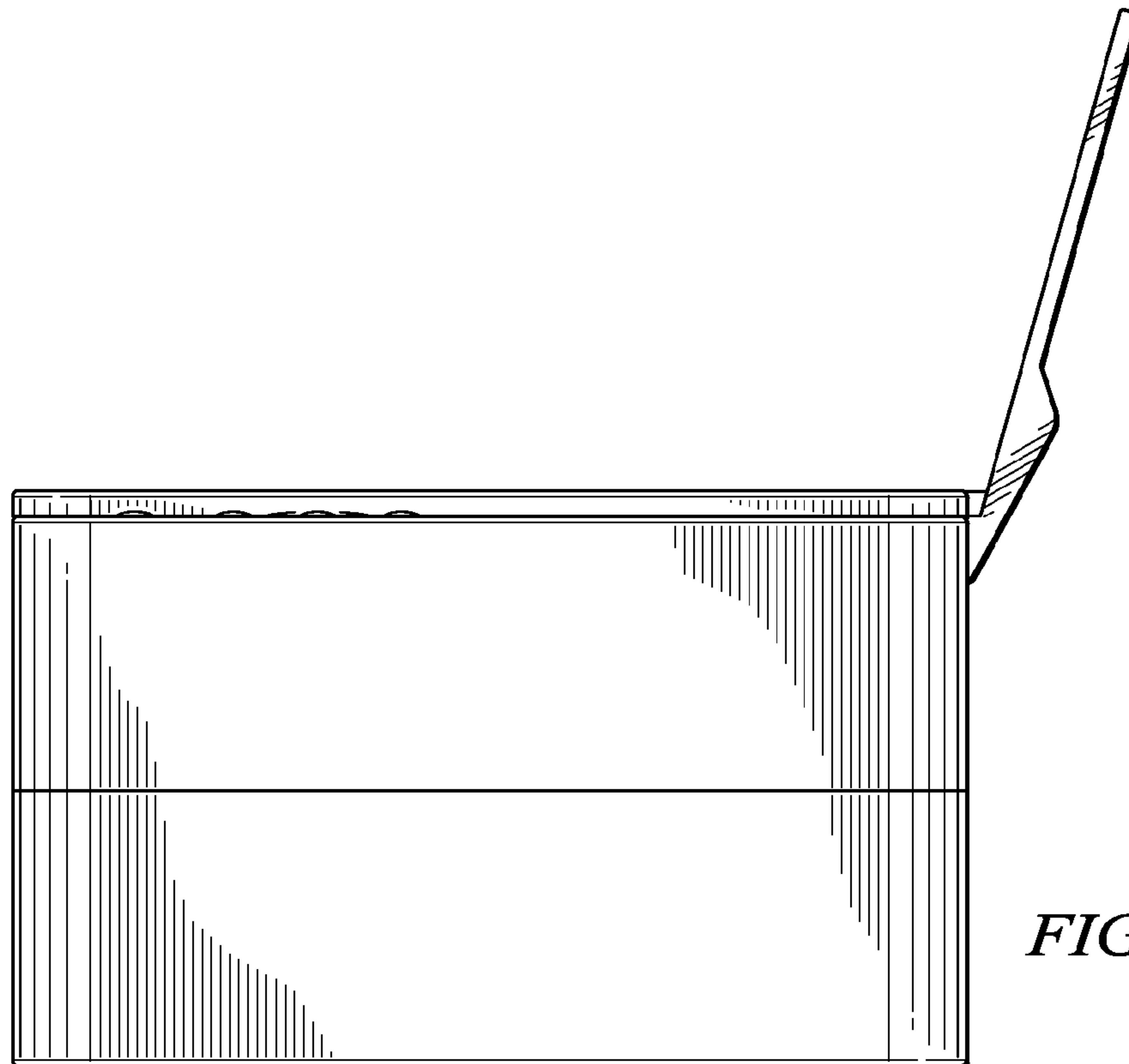


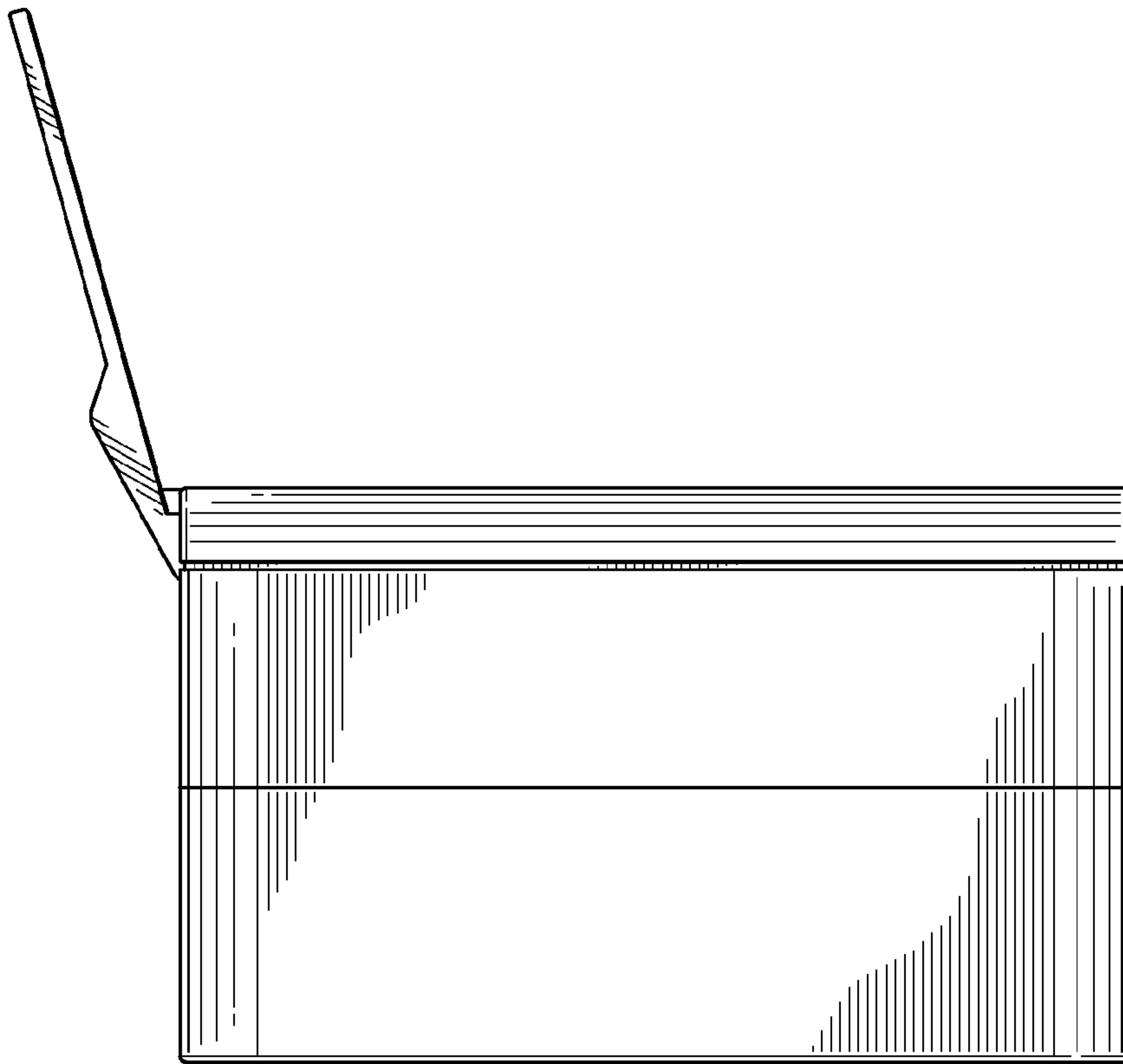
FIG. 1



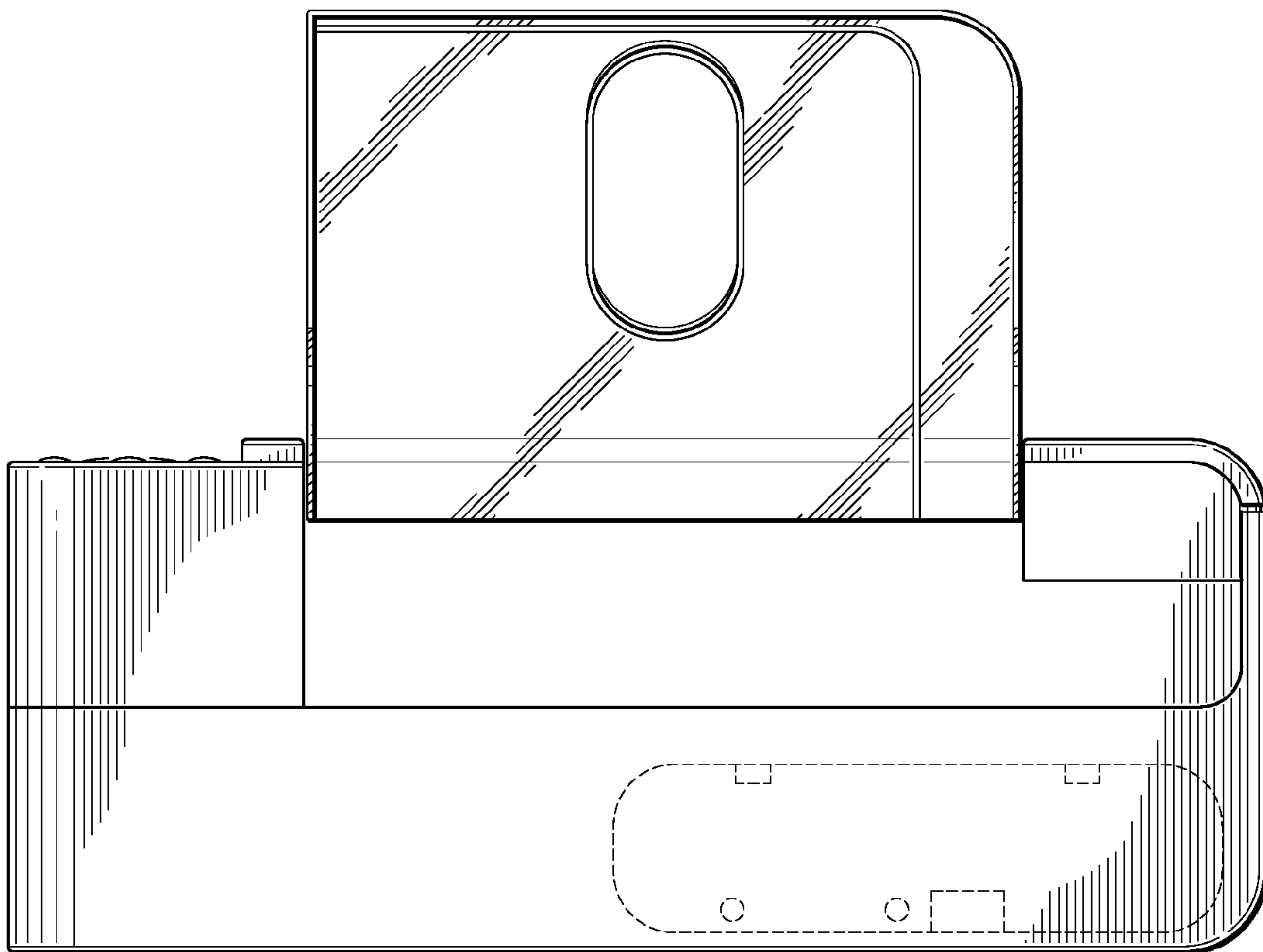
*FIG. 2*



*FIG. 3*



*FIG. 4*



*FIG. 5*

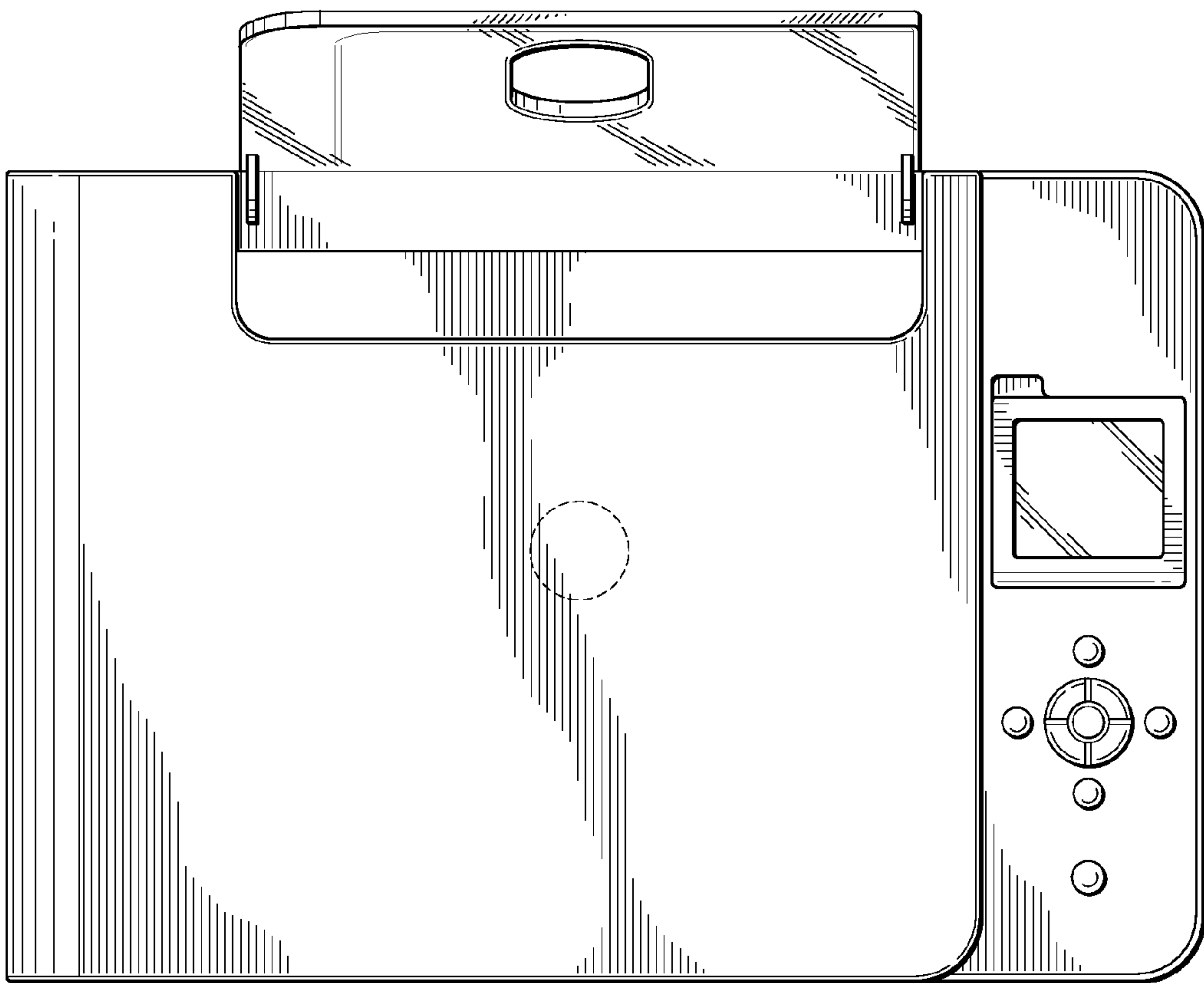


FIG. 6