



US00D558821S

(12) **United States Design Patent**
Smith et al.

(10) **Patent No.:** **US D558,821 S**

(45) **Date of Patent:** **** Jan. 1, 2008**

(54) **PRINTER HOUSING**

(75) Inventors: **Michael Smith**, Austin, TX (US); **Gadi Amit**, Belmont, CA (US); **Kuoyong Huang**, Cedar Park, TX (US); **Michael Massuco**, Oakland, CA (US)

(73) Assignee: **Dell Products L.P.**, Round Rock, TX (US)

(**) Term: **14 Years**

(21) Appl. No.: **29/248,691**

(22) Filed: **Aug. 29, 2006**
(Under 37 CFR 1.47)

(51) **LOC (8) Cl.** **18-02**

(52) **U.S. Cl.** **D18/55**

(58) **Field of Classification Search** D18/50,
D18/54, 54.1, 55; D14/420-425, 462-470;
400/613, 613.1-613.4, 691-694, 690.1-690.4
See application file for complete search history.

(56) **References Cited**

U.S. PATENT DOCUMENTS

D501,874 S 2/2005 Ishigami D18/50
D502,732 S 3/2005 Ishigami D18/50

D505,154 S 5/2005 Wong et al. D18/50
D519,549 S * 4/2006 Tanio D18/50
D532,816 S * 11/2006 Smith et al. D18/50
D536,373 S * 2/2007 Inoue et al. D18/55
D537,477 S * 2/2007 Lim et al. D18/55
D540,852 S * 4/2007 Huang et al. D18/50

* cited by examiner

Primary Examiner—Cathy Anne MacCormac

(74) *Attorney, Agent, or Firm*—Hamilton & Terrile, LLP

(57) **CLAIM**

The ornamental design for a printer housing, as shown.

DESCRIPTION

FIG. 1 is a right front perspective view of a printer housing comprising the present invention;

FIG. 2 is a front elevation view thereof;

FIG. 3 is a right side elevation view thereof;

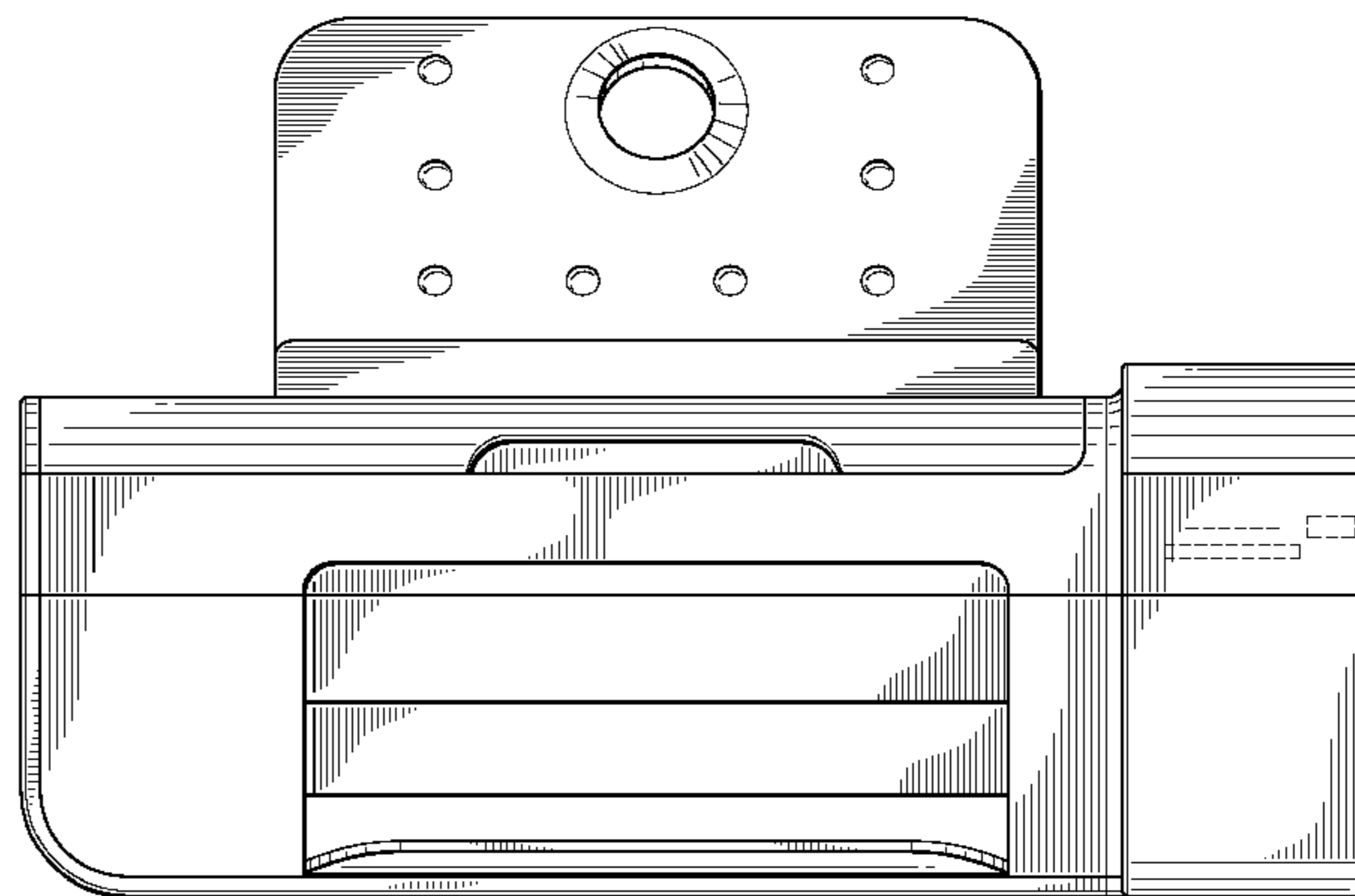
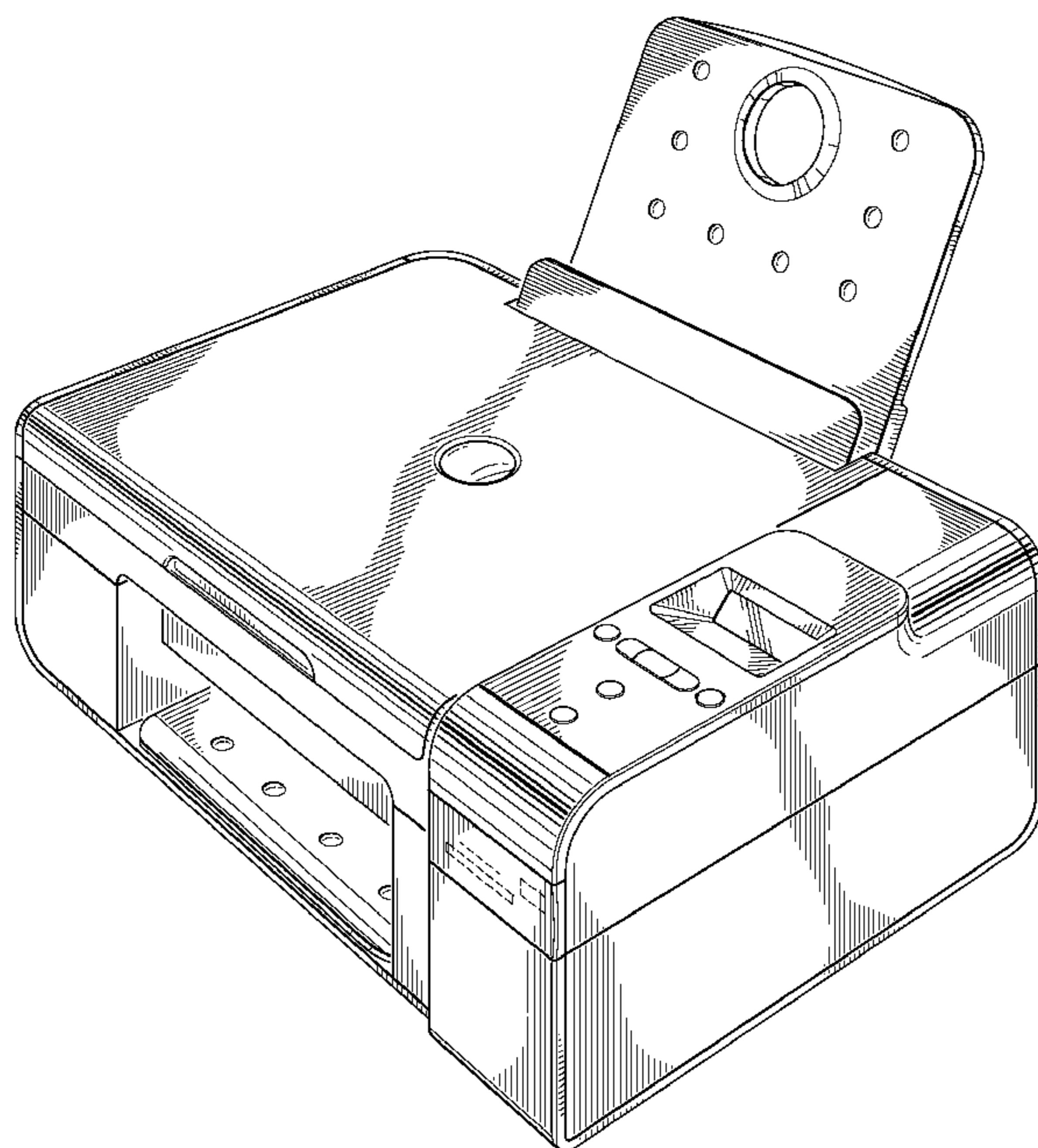
FIG. 4 is a left side elevation view thereof;

FIG. 5 is a rear elevation view thereof; and,

FIG. 6 is a top plan view thereof.

The broken lines are for illustrative purposes only and form no part of the claimed design.

1 Claim, 4 Drawing Sheets



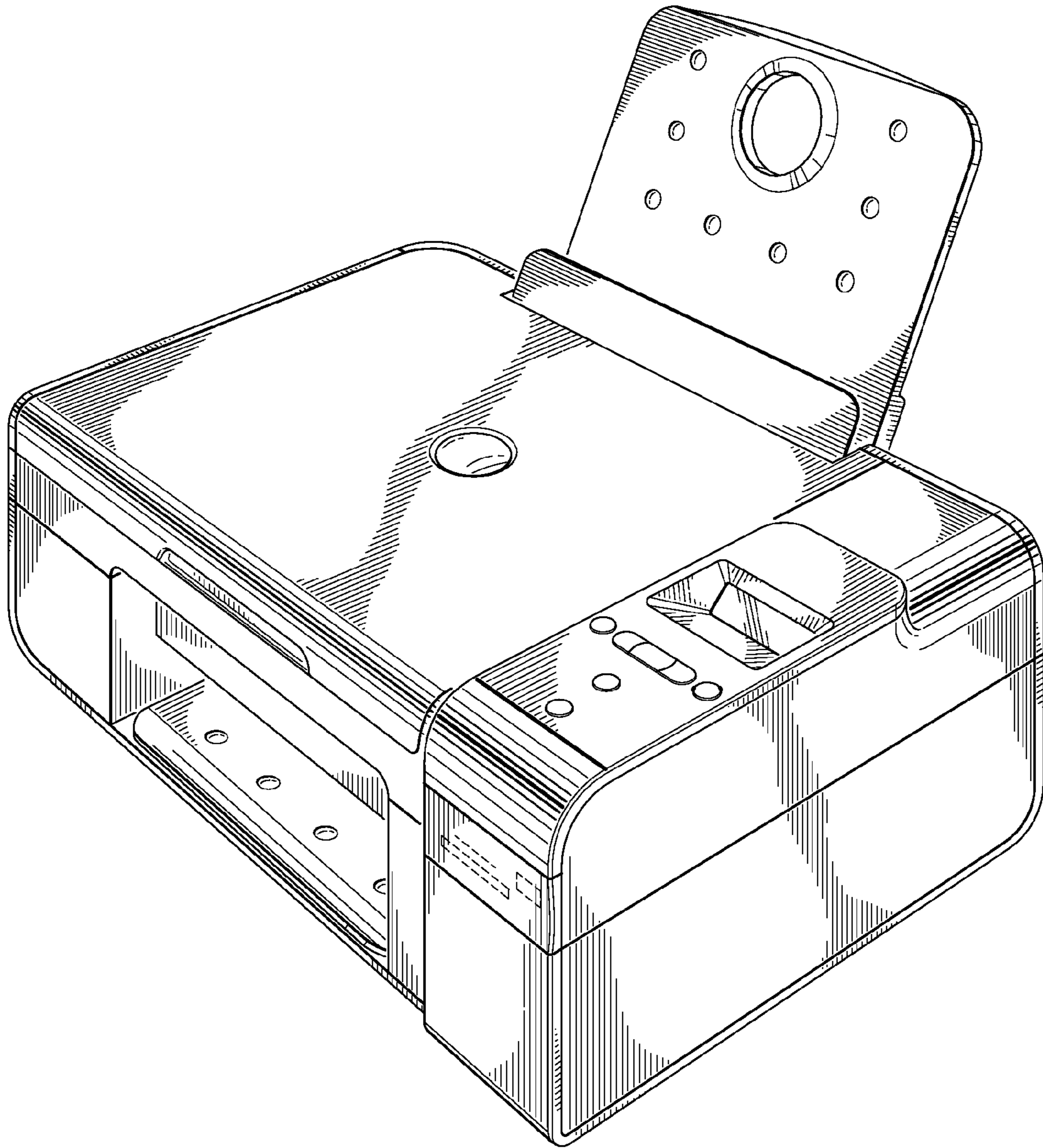


FIG. 1

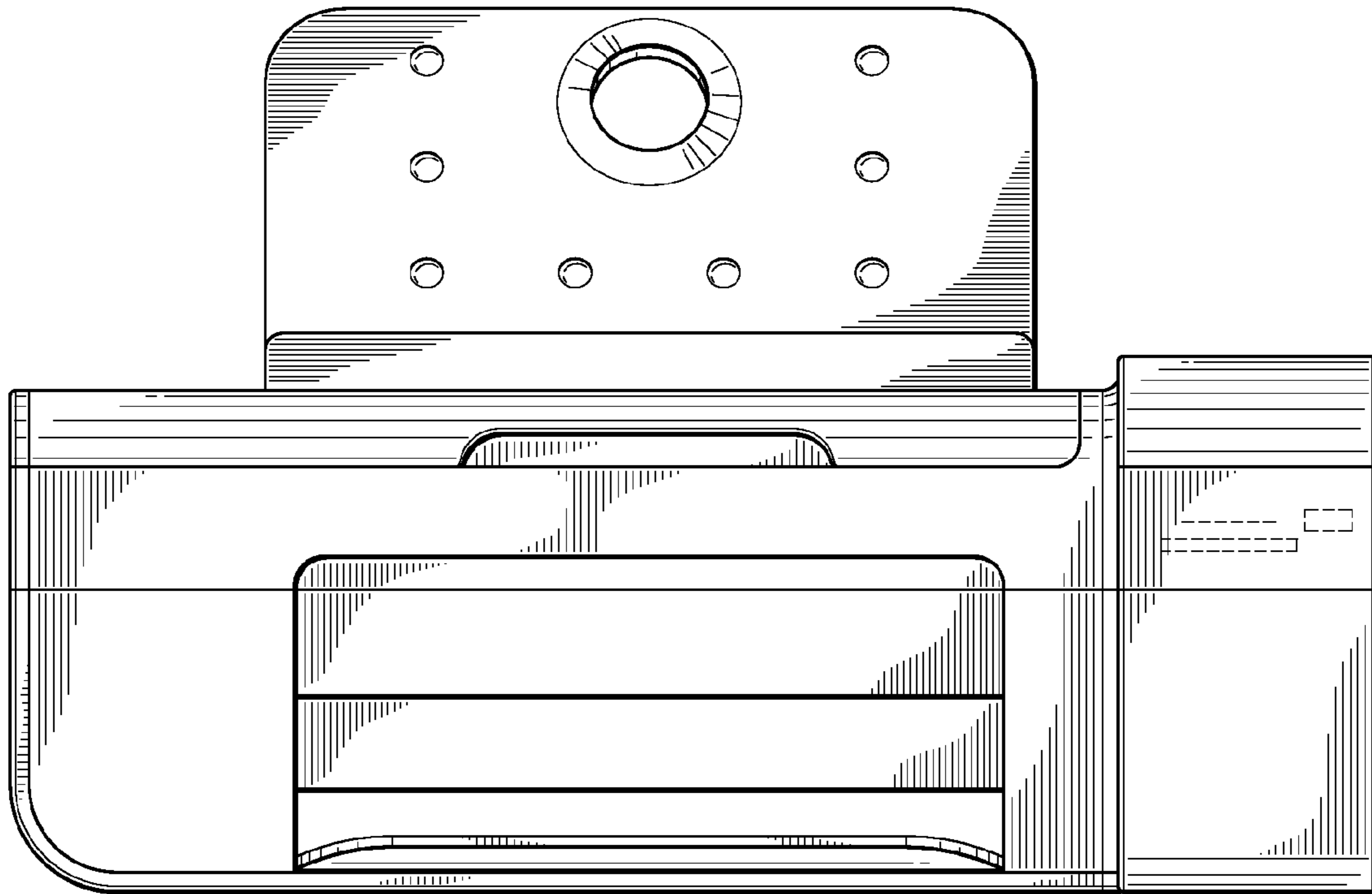


FIG. 2

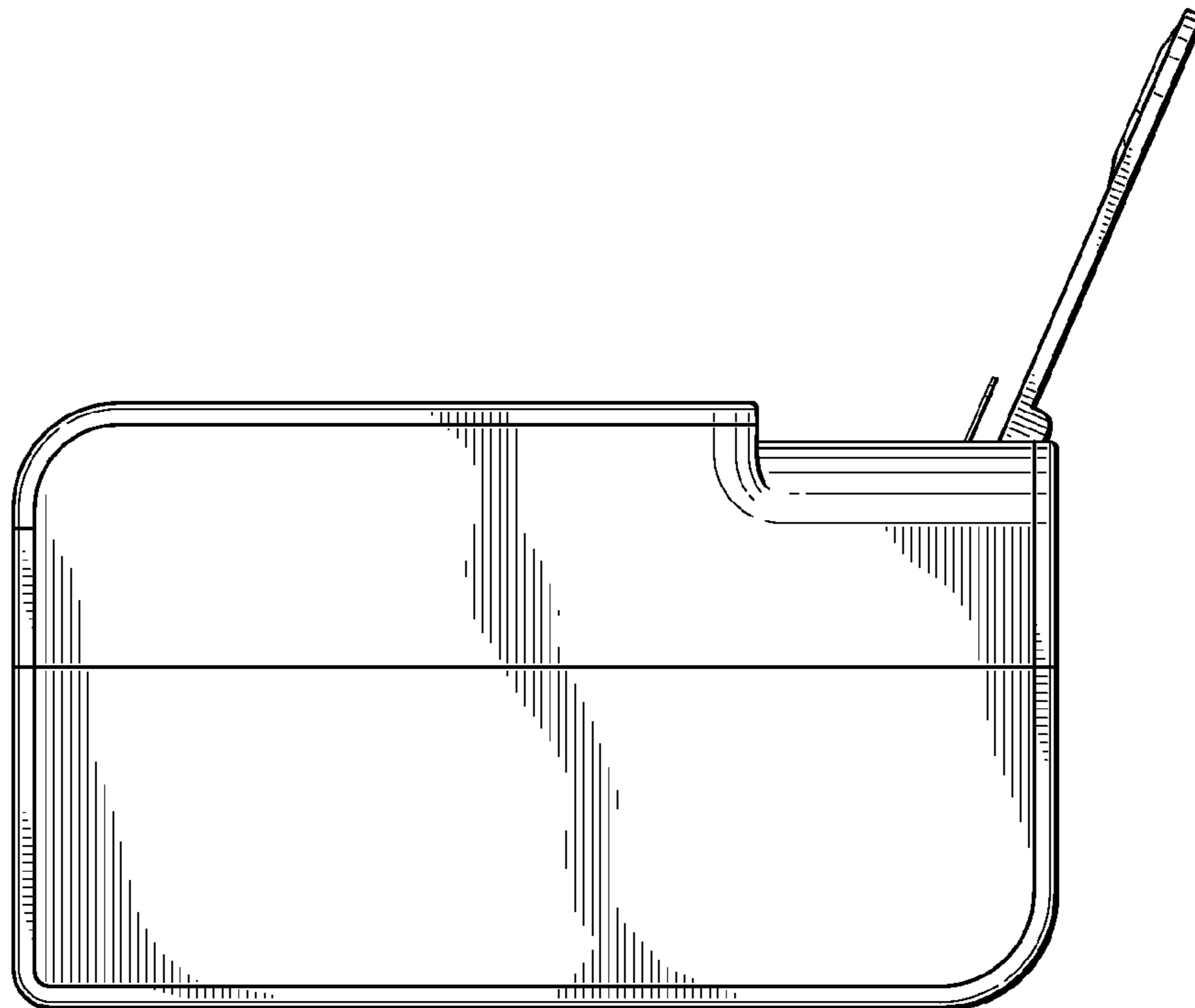


FIG. 3

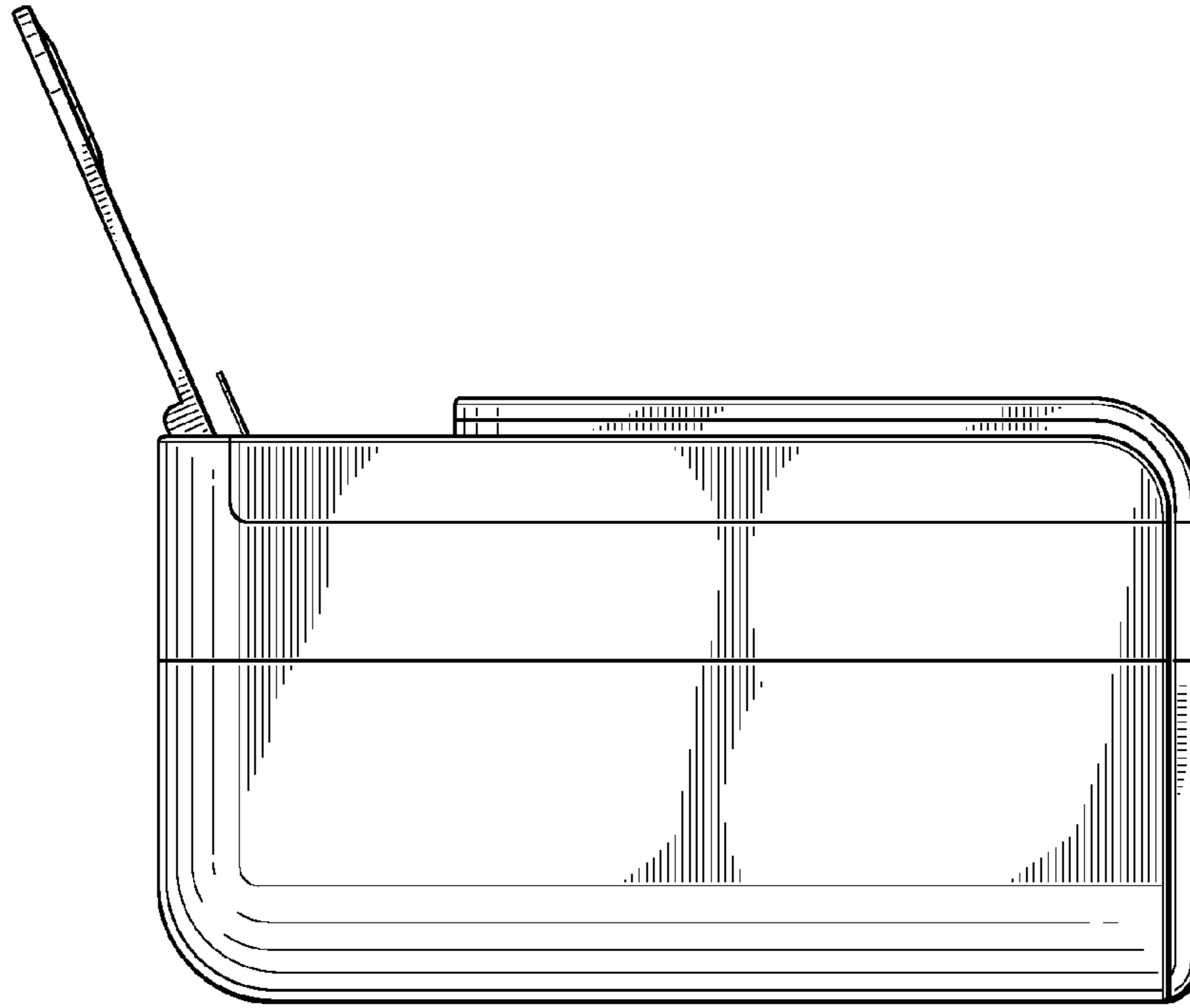


FIG. 4

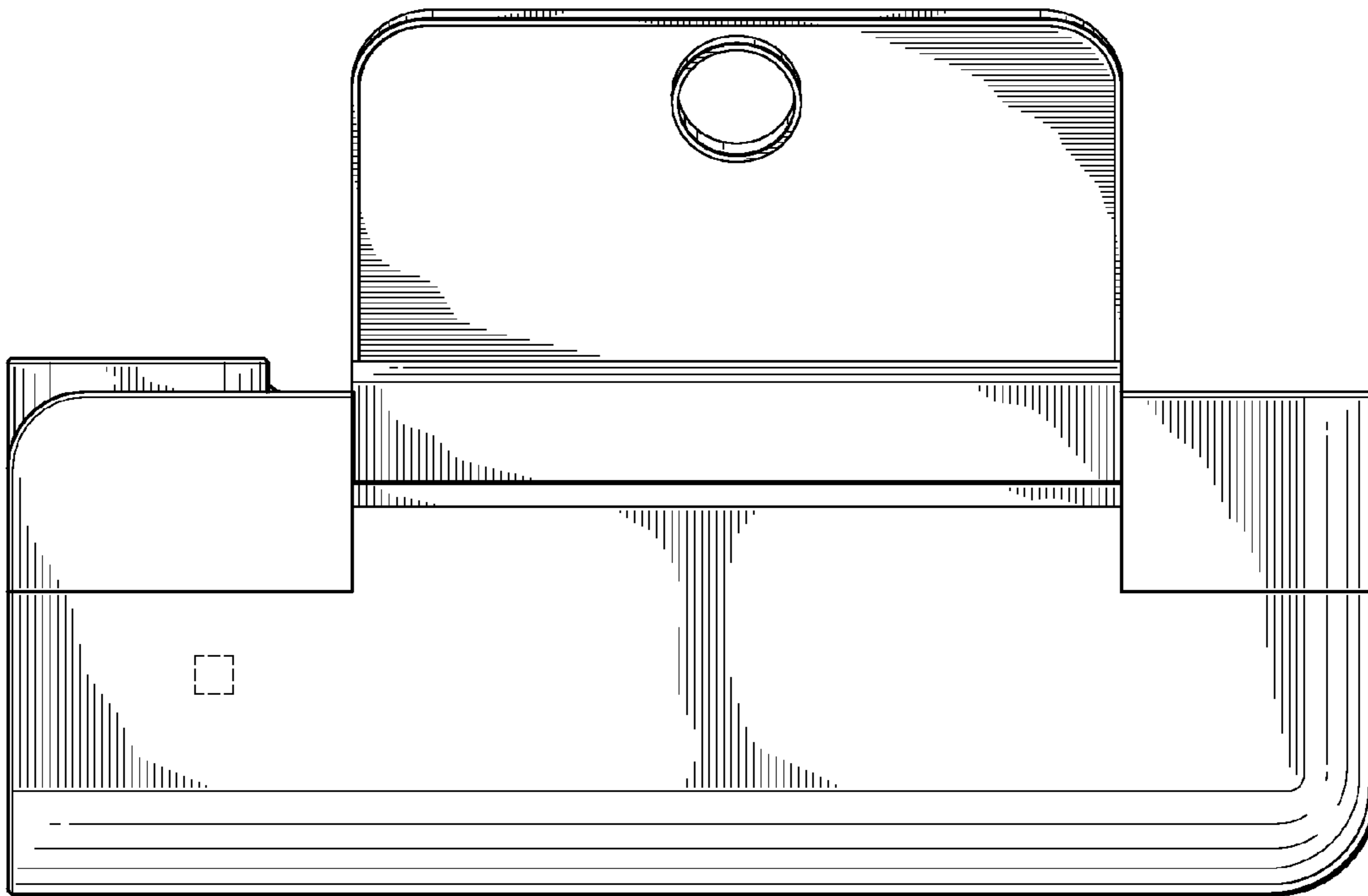


FIG. 5

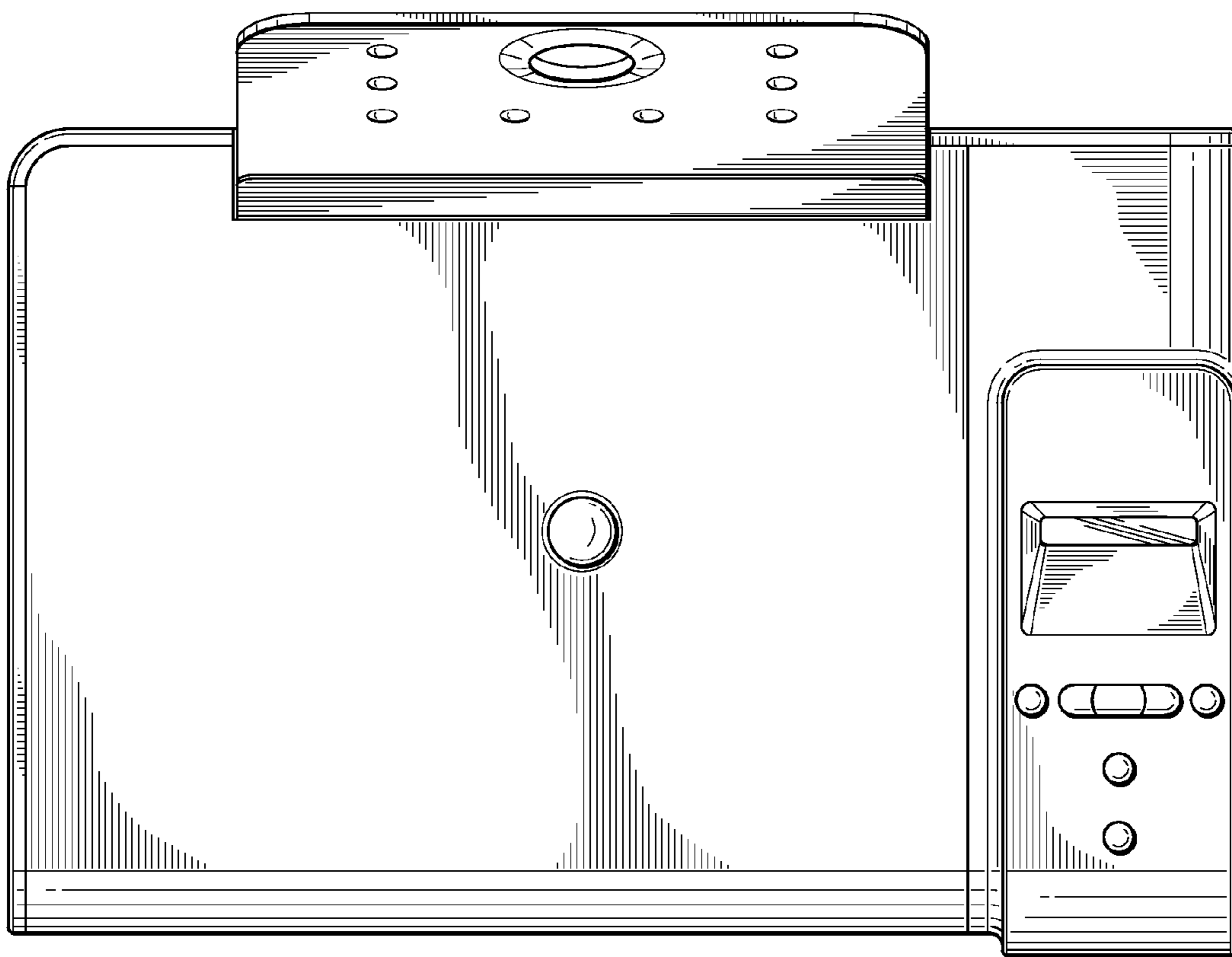


FIG. 6