



US00D558820S

(12) **United States Design Patent**
Hong et al.

(10) **Patent No.:** **US D558,820 S**
(45) **Date of Patent:** **** Jan. 1, 2008**

(54) **PRINTER**

(75) Inventors: **Yun-Gi Hong**, Seoul (KR); **Seok-Won Bae**, Seoul (KR); **Jun-Won Bae**, Seoul (KR); **Bong-Uk Lim**, Seoul (KR)

(73) Assignee: **Samsung Electronics Co., Ltd.**,
Kyunggi-do (KR)

(**) Term: **14 Years**

(21) Appl. No.: **29/261,041**

(22) Filed: **Jun. 6, 2006**

(51) **LOC (8) Cl.** **18-02**

(52) **U.S. Cl.** **D18/50**

(58) **Field of Classification Search** D18/4.5,
D18/14, 19, 36-39, 50, 53, 54-54.1, 55;
D14/420-425, 462-470; 400/613, 613.1-613.4,
400/690.1-690.4, 691-694

See application file for complete search history.

(56) **References Cited**

U.S. PATENT DOCUMENTS

- D425,547 S * 5/2000 Ishiura D18/19
- D440,246 S * 4/2001 Yin D18/50
- D491,218 S * 6/2004 Masamitsu et al. D18/50
- D532,448 S * 11/2006 Lim et al. D18/50
- D533,216 S * 12/2006 Sato D18/50

OTHER PUBLICATIONS

U.S. Appl. No. 29/261,037, Applicant: Yun-Gi Hong, et al., filed Jun. 6, 2006 entitled PRINTER.

U.S. Appl. No. 29/261,036, Applicant: Yun-Gi Hong, et al., filed Jun. 6, 2006 entitled PRINTER.

U.S. Appl. No. 29/261,030, Applicant: Yun-Gi Hong, et al., filed Jun. 6, 2006 entitled PRINTER.

U.S. Appl. No. 29/261,091, Applicant: Yun-Gi Hong, et al., filed Jun. 7, 2006 entitled Portable Mobile Printer.

* cited by examiner

Primary Examiner—Cathy Anne MacCormac

(74) *Attorney, Agent, or Firm*—Flynn, Thiel, Boutell & Tanis, P.C.

(57) **CLAIM**

The ornamental design for a printer, as shown and described.

DESCRIPTION

FIG. 1 is a top front perspective view of a printer showing our new design;

FIG. 2 is a front elevational view thereof;

FIG. 3 is a rear elevational view thereof;

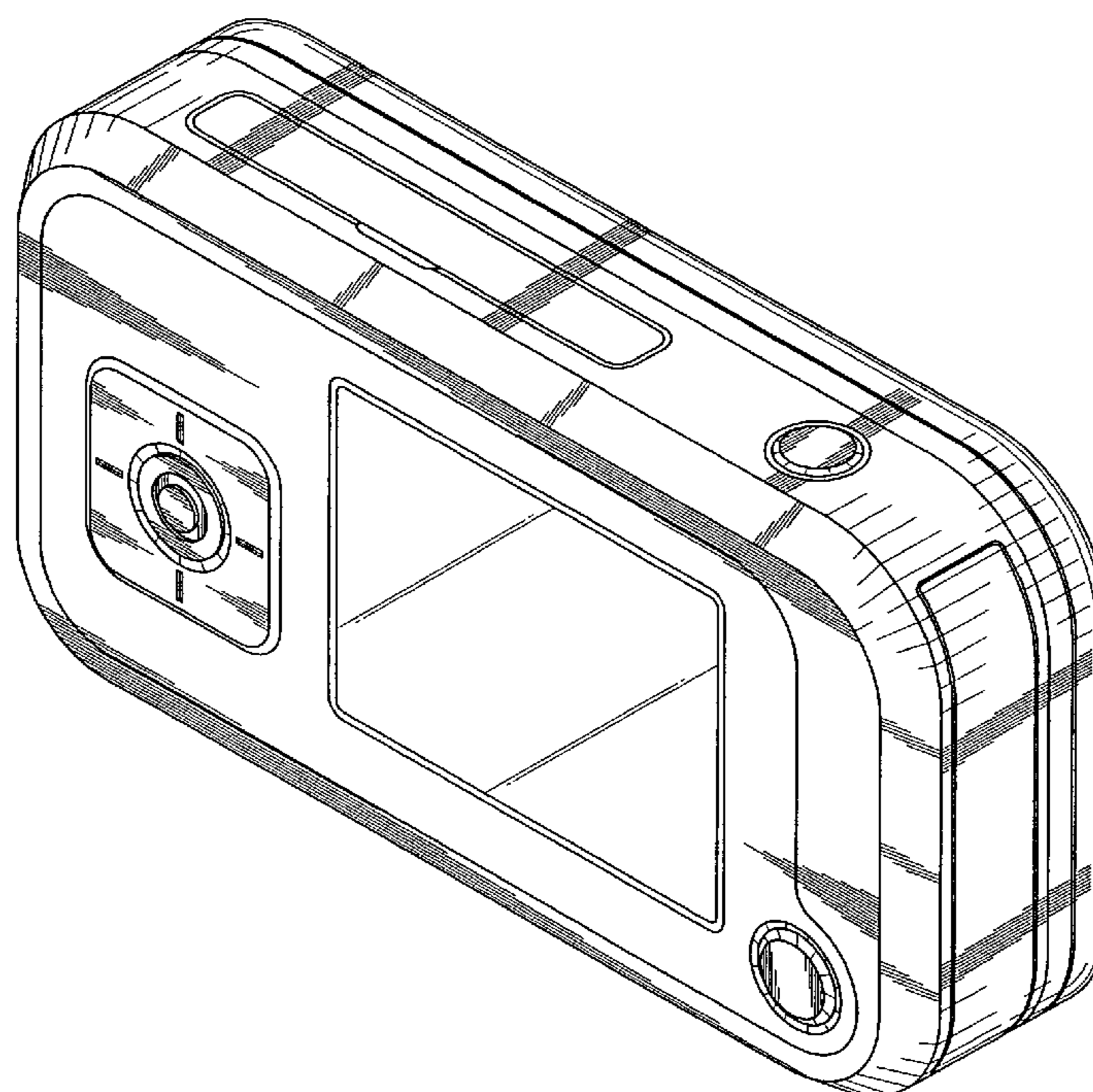
FIG. 4 is a left side elevational view thereof;

FIG. 5 is a right side elevational view thereof;

FIG. 6 is a top plan view thereof; and,

FIG. 7 is a bottom plan view thereof.

1 Claim, 4 Drawing Sheets



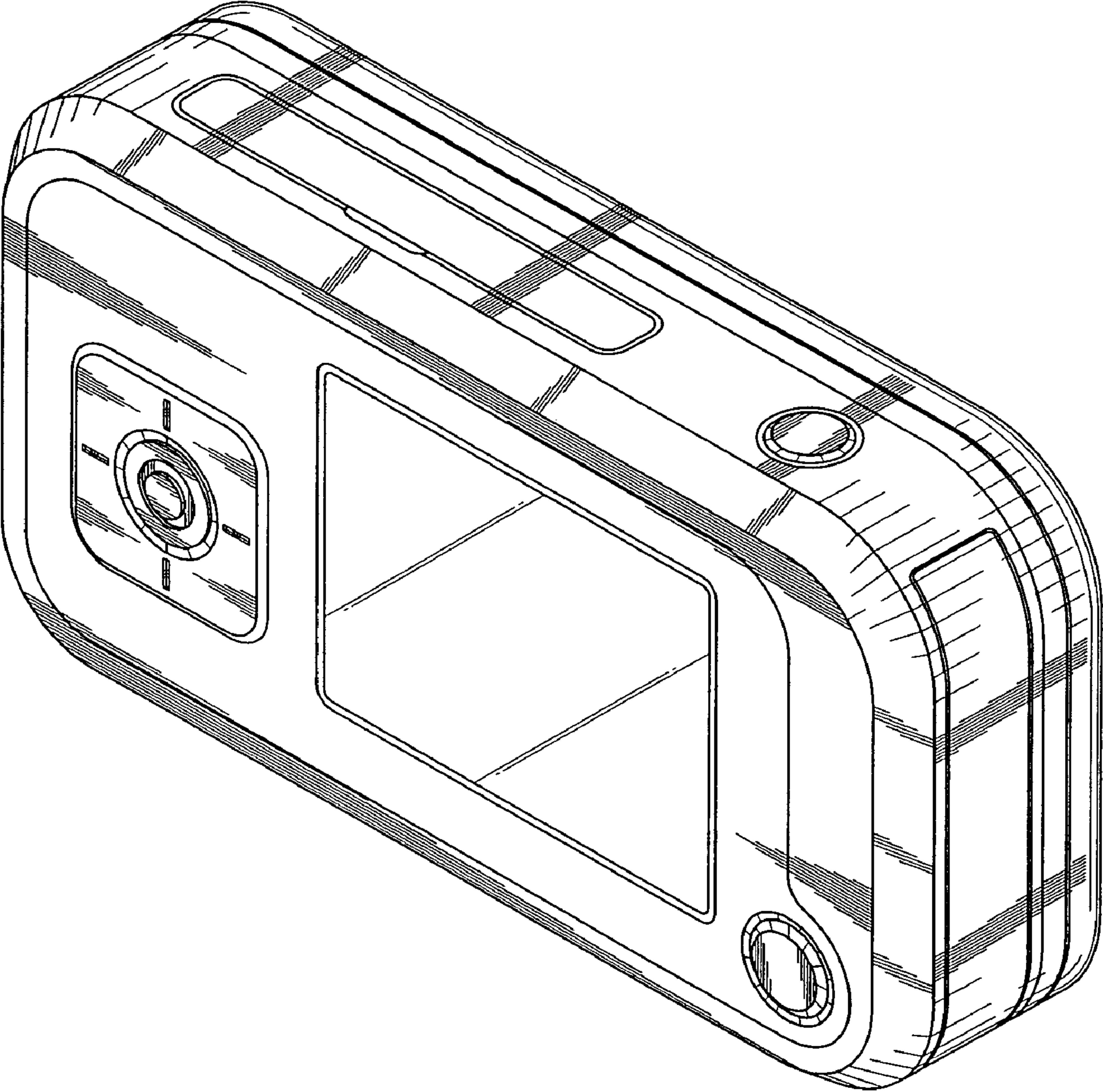


FIG. 1

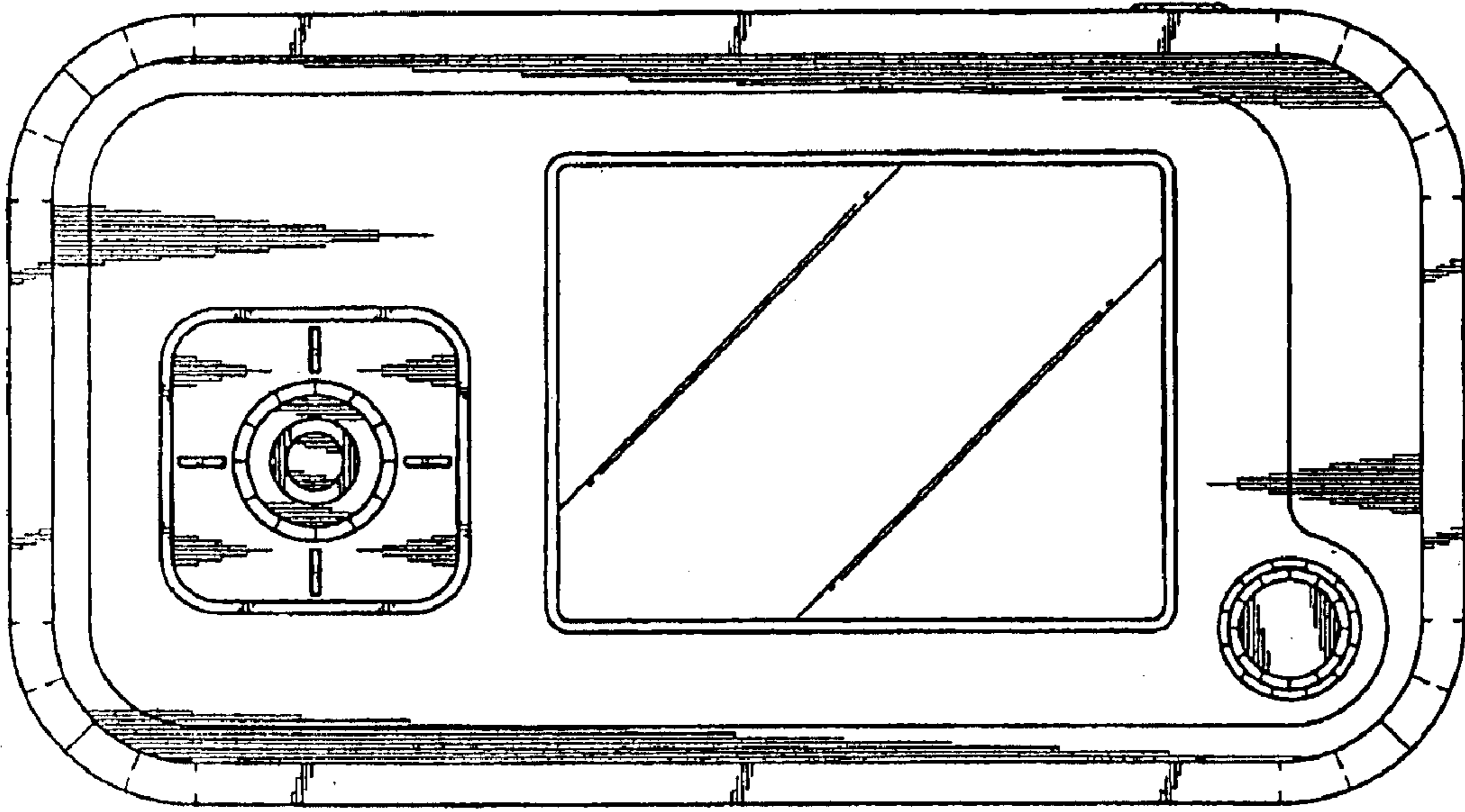


FIG. 2

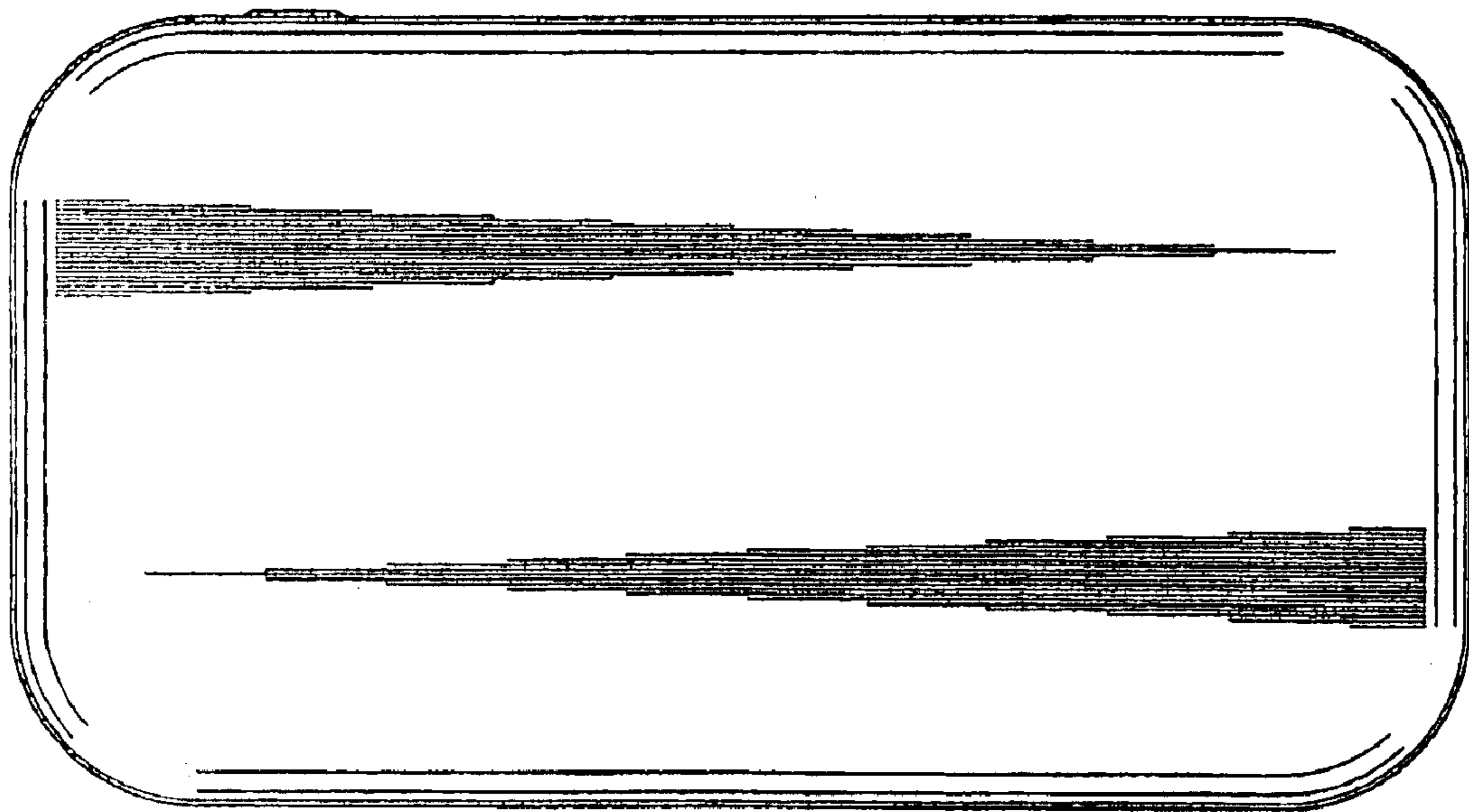


FIG. 3

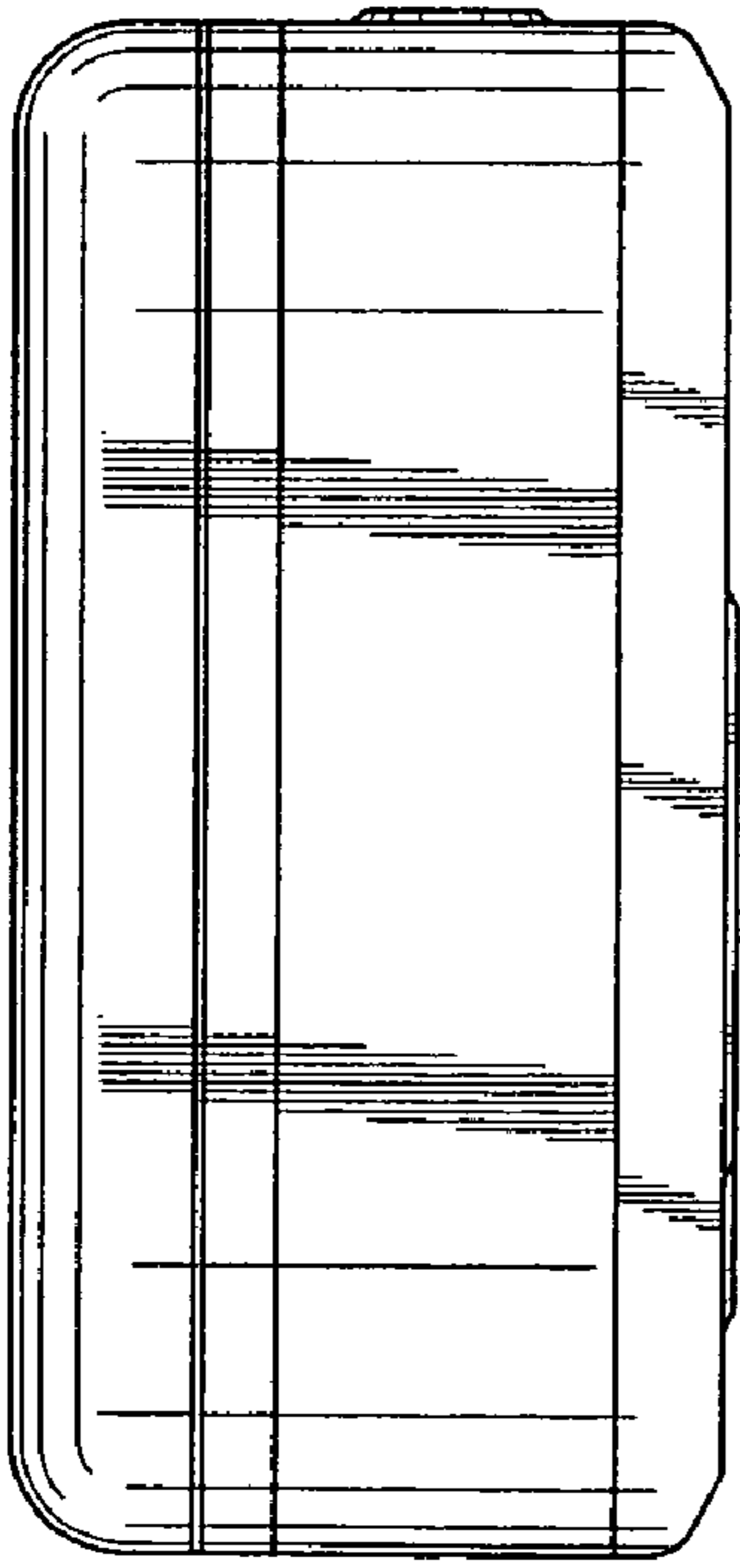


FIG. 4

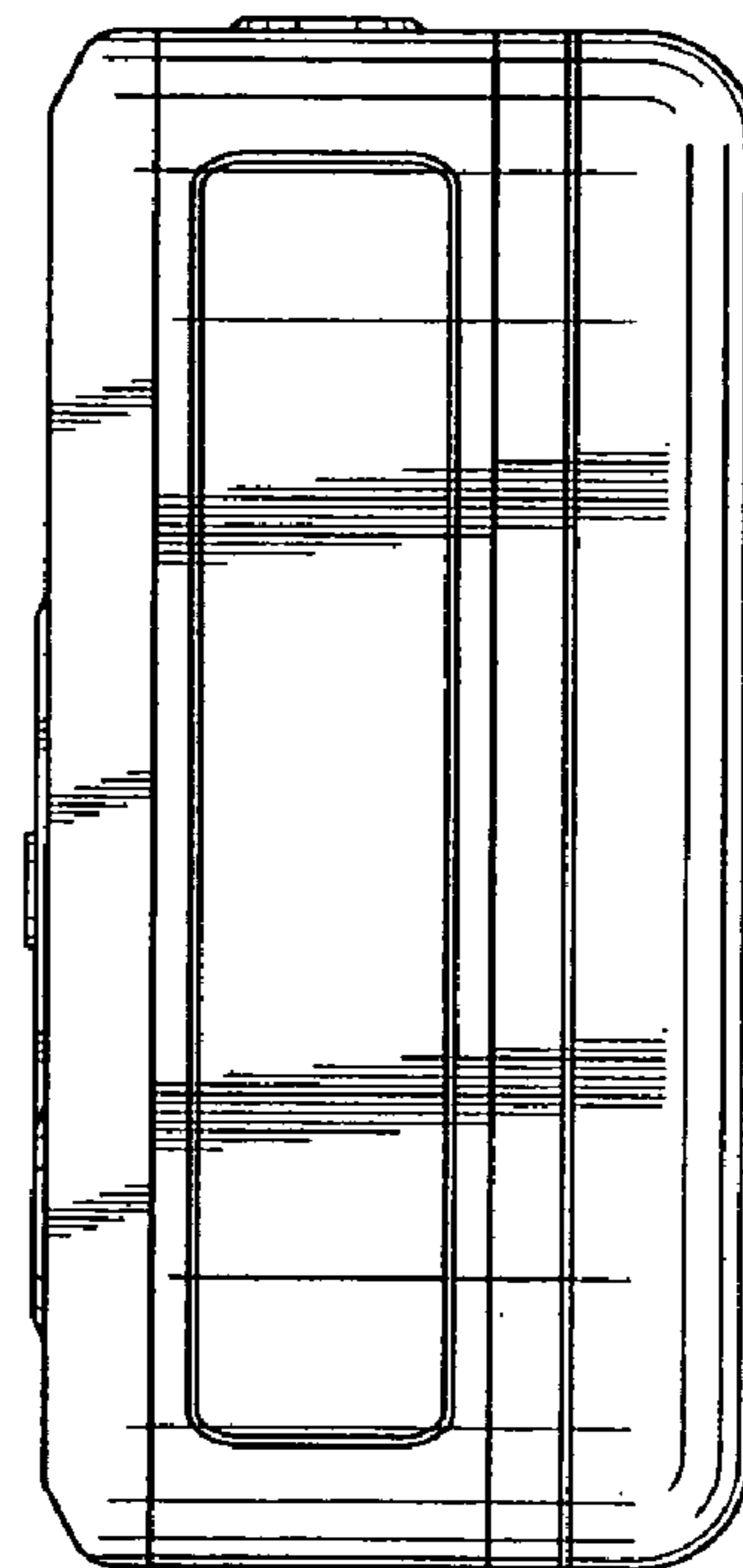


FIG. 5

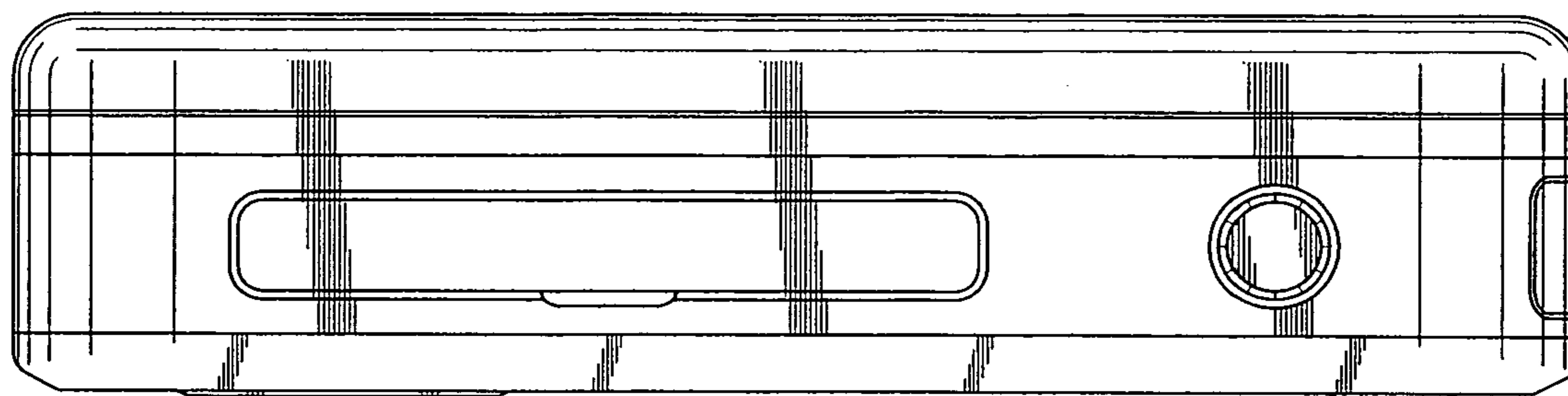


FIG. 6

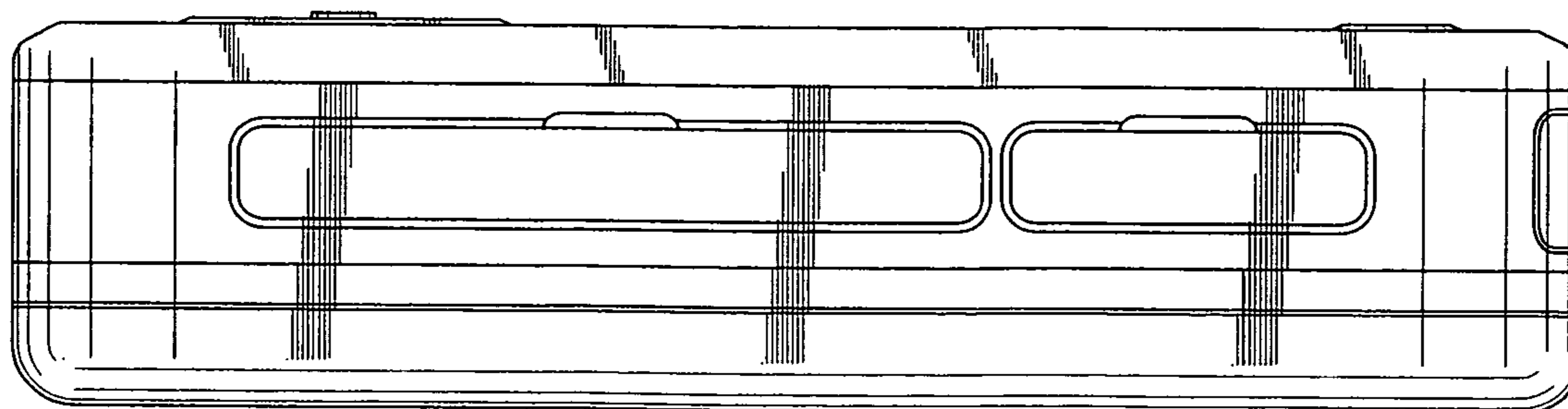


FIG. 7