



US00D558818S

(12) **United States Design Patent**
Yonekawa et al.

(10) **Patent No.: US D558,818 S**
(45) **Date of Patent: ** Jan. 1, 2008**

(54) **INKJET COPYING MACHINE**

(75) Inventors: **Masahiro Yonekawa**, Tokyo (JP);
Tomohiko Sasaki, Tokyo (JP); **Masami Iida**, Tokyo (JP); **Shigeru Horiguchi**, Kanagawa (JP)

(73) Assignee: **Ricoh Company, Ltd.**, Tokyo (JP)

(**) Term: **14 Years**

(21) Appl. No.: **29/254,458**

(22) Filed: **Feb. 24, 2006**

(30) **Foreign Application Priority Data**

Aug. 26, 2005 (JP) 2005-024816

(51) **LOC (8) Cl.** **16-03**

(52) **U.S. Cl.** **D18/39**

(58) **Field of Classification Search** D18/36-41,
D18/44-55; 222/DIG. 1; 271/3.14, 8.1,
271/226, 278; 355/97, 99; 358/1.1; 399/1-7,
399/16, 75, 81, 107, 130, 151, 361, 365,
399/367, 381-383, 388

See application file for complete search history.

(56) **References Cited**

U.S. PATENT DOCUMENTS

D374,454 S * 10/1996 Naruki et al. D18/36
5,881,333 A * 3/1999 Takahashi et al. 399/2

D433,439 S * 11/2000 Yoshida et al. D18/36
D459,752 S * 7/2002 Shiozaki D18/36
7,046,955 B2 * 5/2006 Hatanaka et al. 399/107
7,149,011 B2 * 12/2006 Kawamura et al. 399/367
2004/0264999 A1 * 12/2004 Marumoto 399/107

* cited by examiner

Primary Examiner—Robert M. Spear

Assistant Examiner—Garth Rademaker

(74) *Attorney, Agent, or Firm*—Dickstein Shapiro LLP

(57) **CLAIM**

The ornamental design for an inkjet copying machine, as shown and described.

DESCRIPTION

FIG. 1 is a front elevation of an inkjet copying machine according to the present invention;

FIG. 2 is a rear elevation thereof;

FIG. 3 is a top plan view thereof;

FIG. 4 is a bottom plan view thereof;

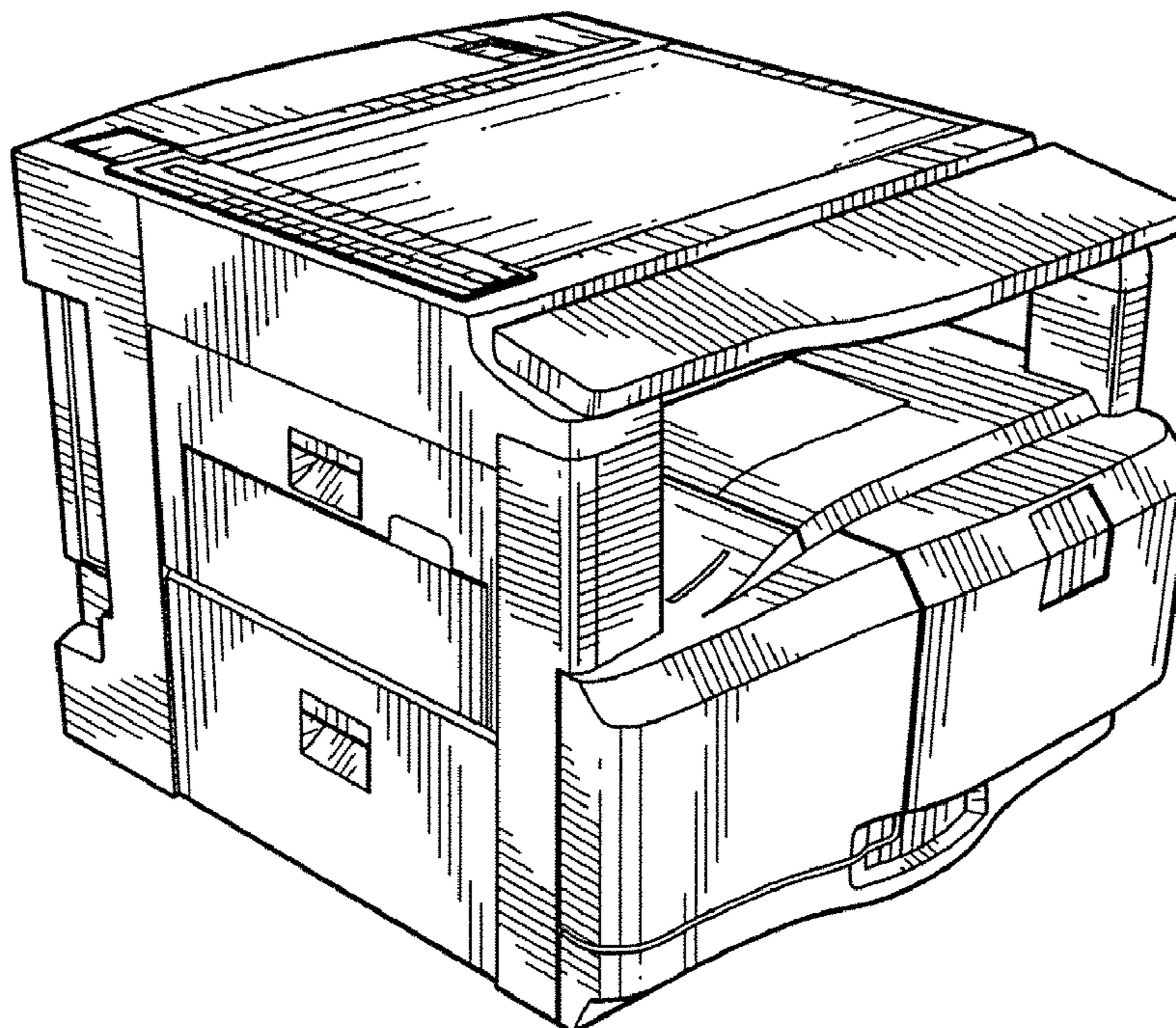
FIG. 5 is a right side elevation thereof;

FIG. 6 is a left side elevation thereof;

FIG. 7 is a top, front and left side perspective view thereof; and,

FIG. 8 is a top, rear and left side perspective view thereof.

1 Claim, 4 Drawing Sheets



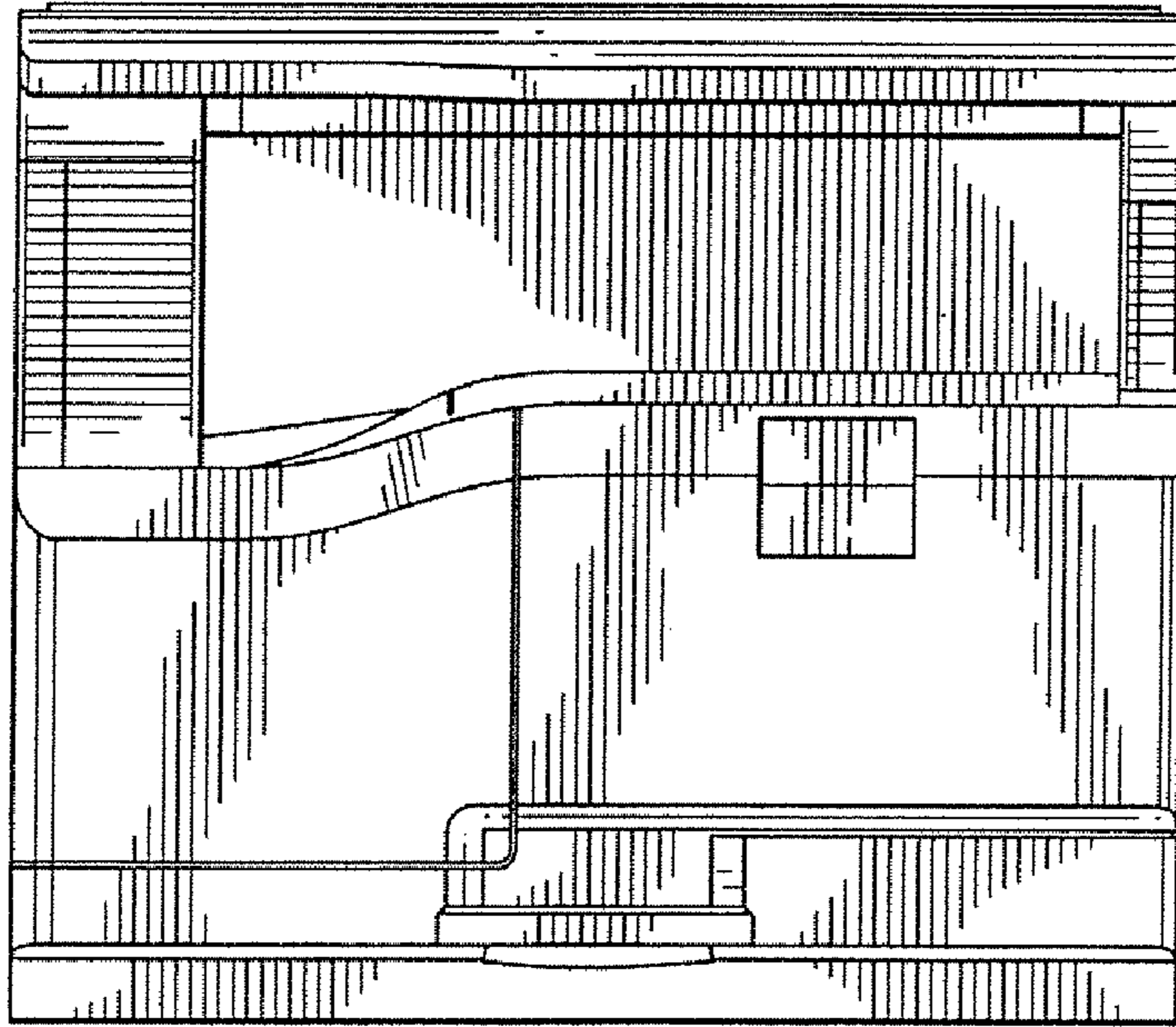


FIG. 1

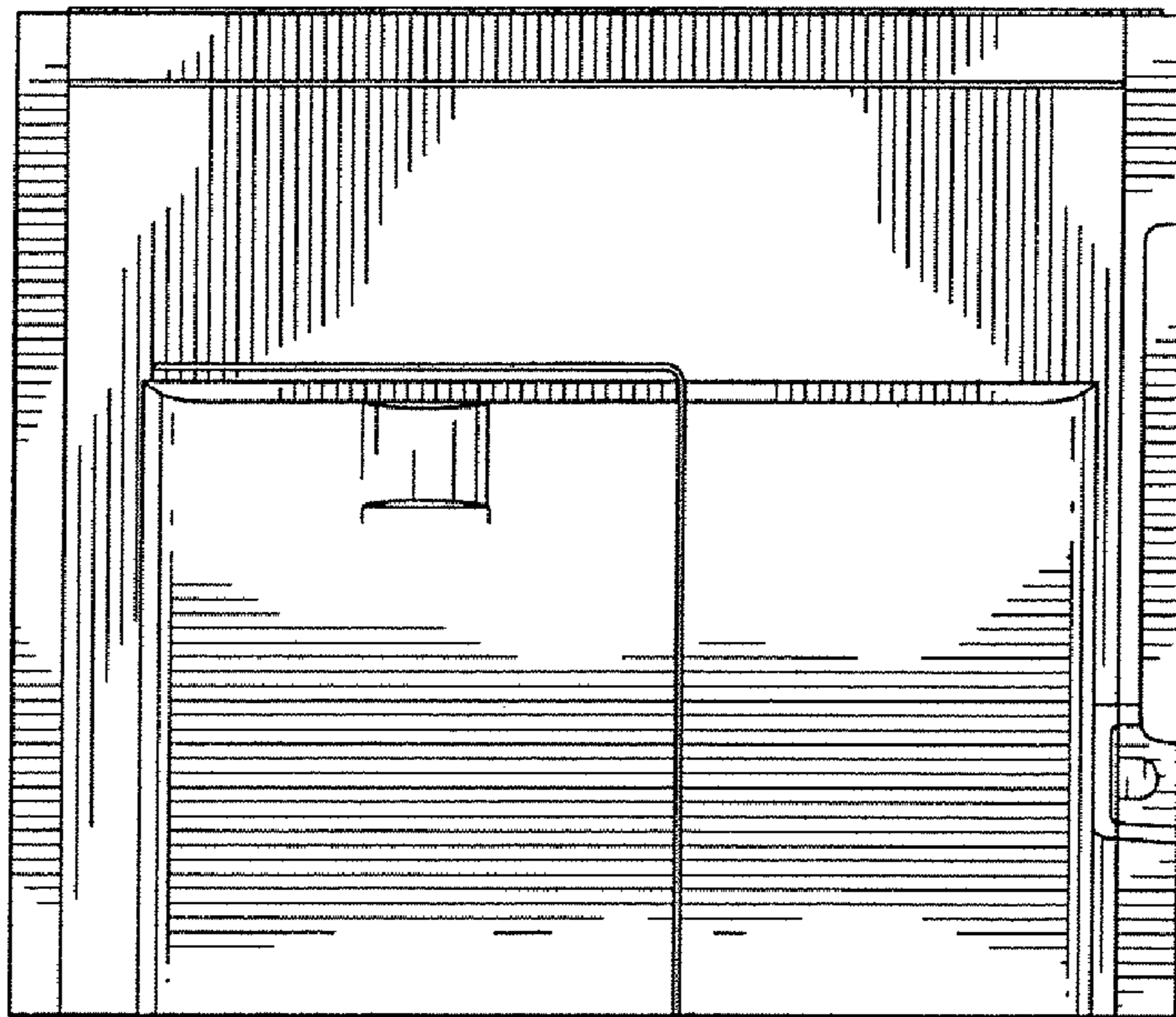


FIG. 2

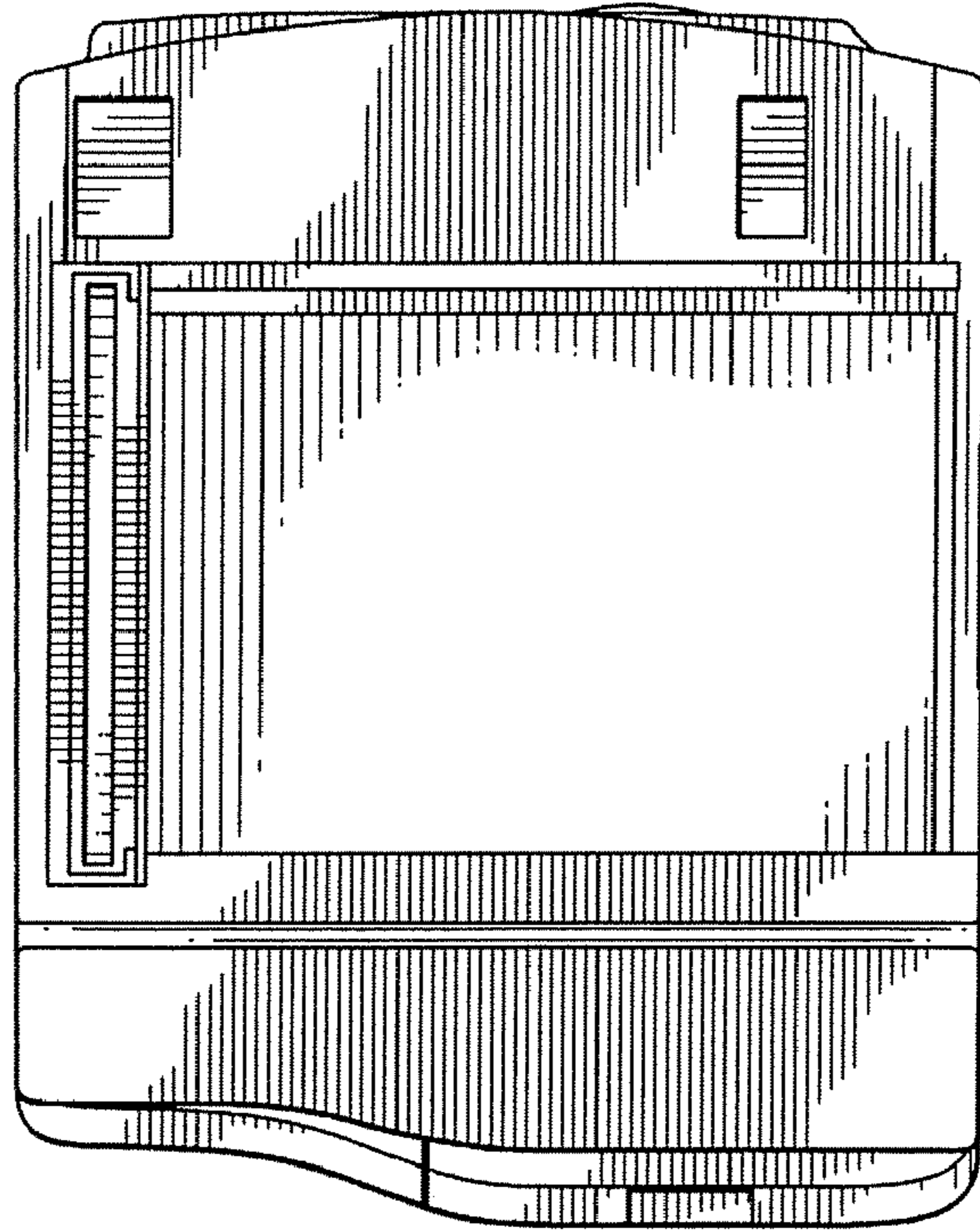


FIG. 3

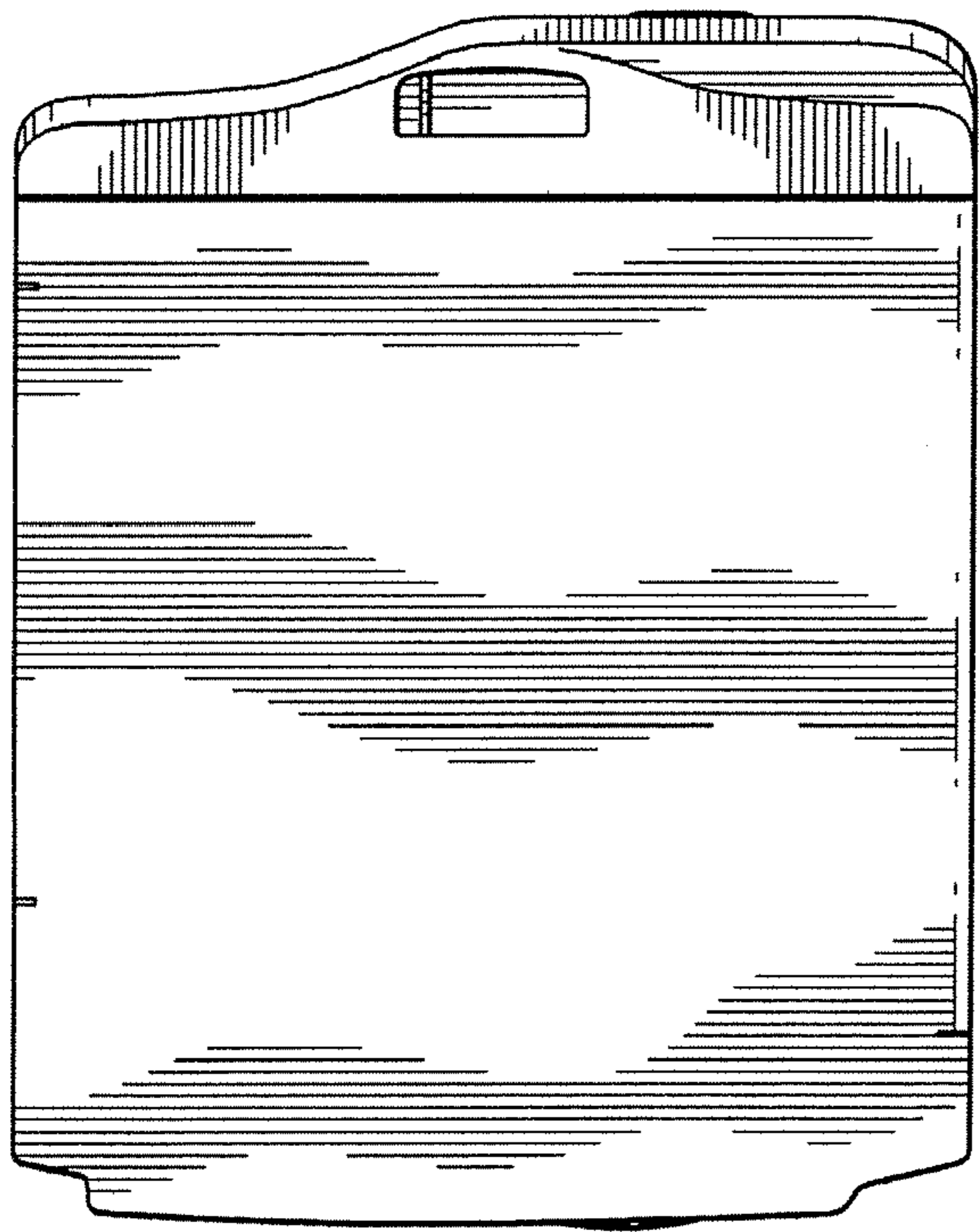


FIG. 4

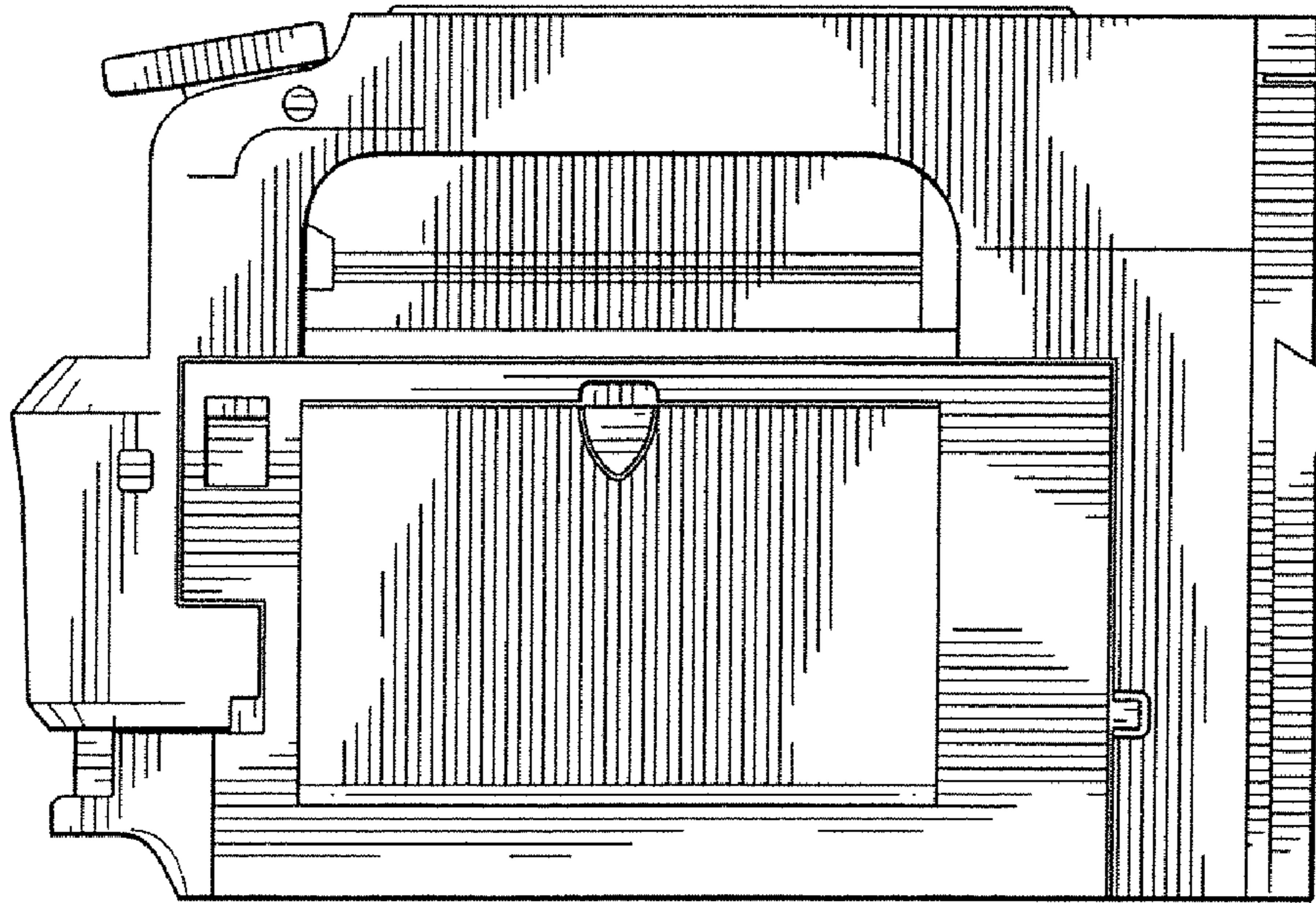


FIG. 5

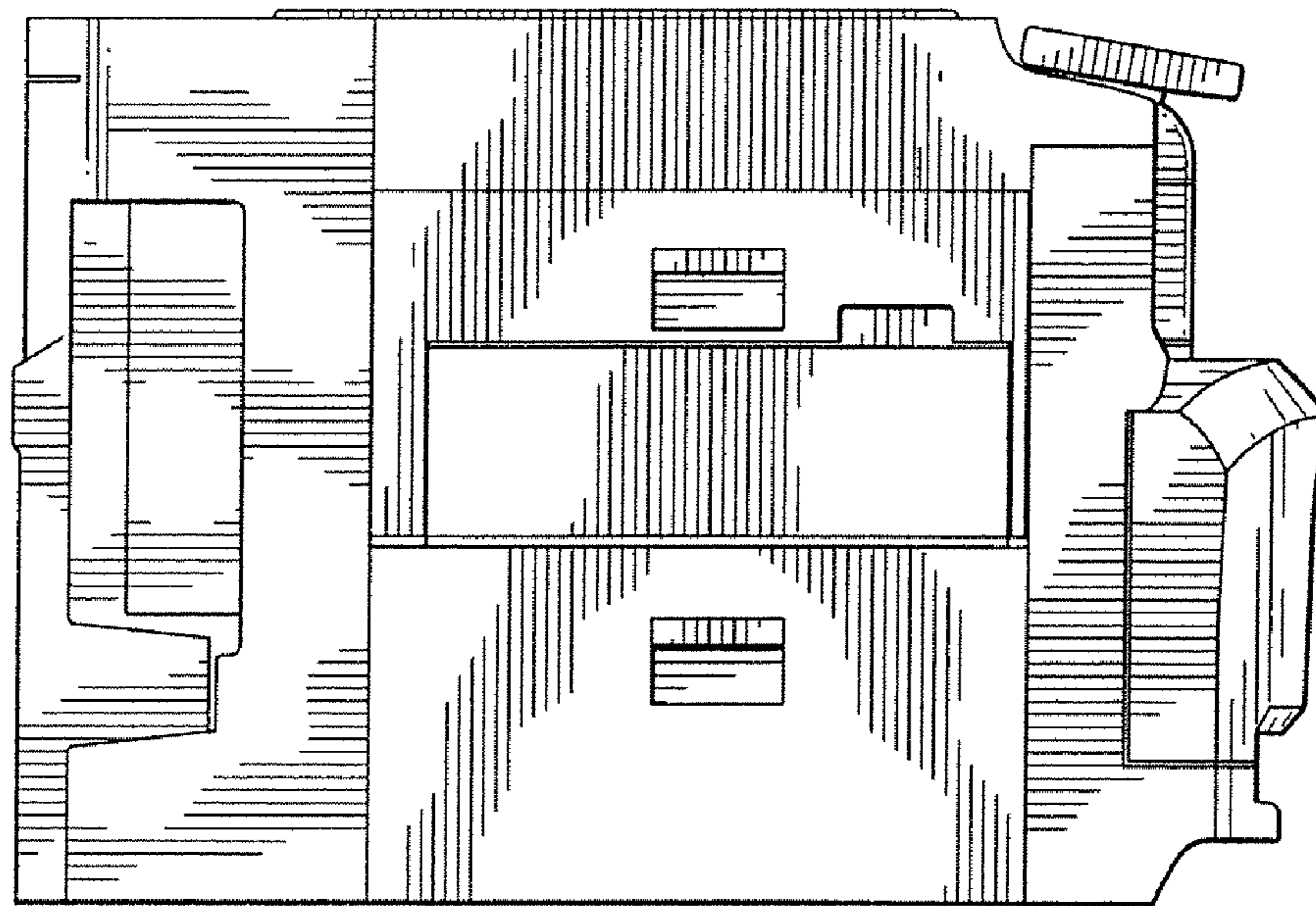


FIG. 6

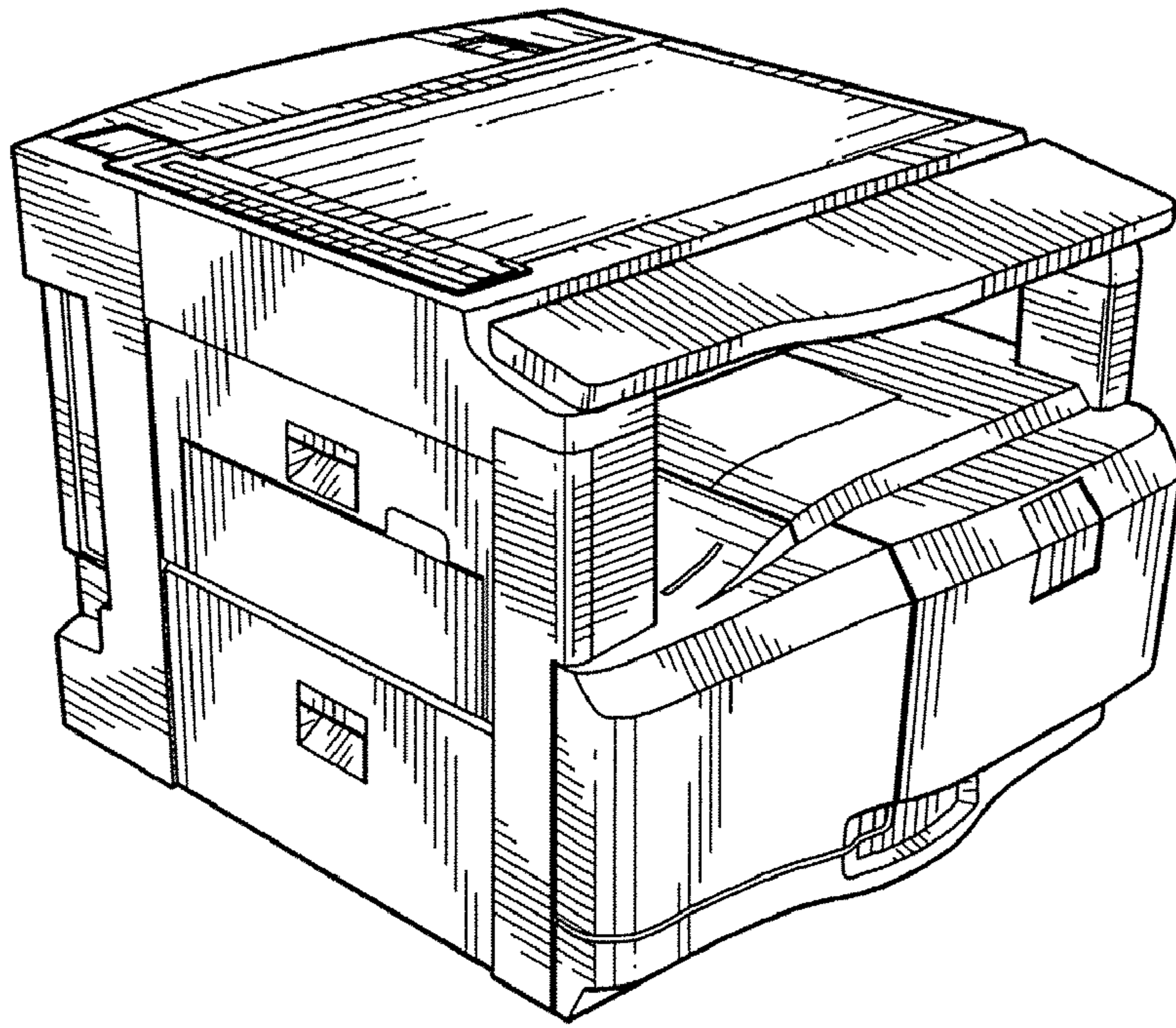


FIG. 7

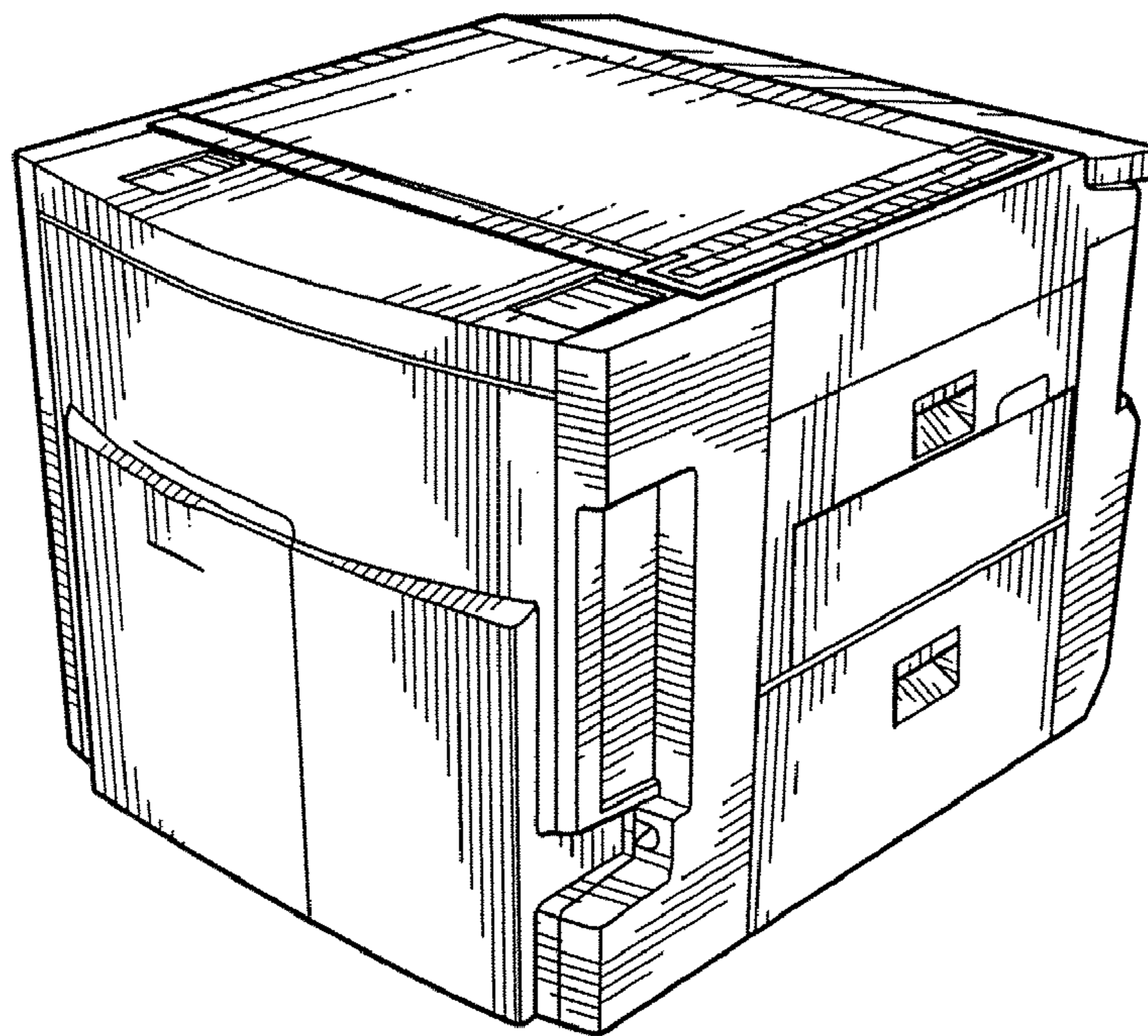


FIG. 8