



US00D558817S

(12) **United States Design Patent**  
**Katayama**

(10) **Patent No.:** **US D558,817 S**

(45) **Date of Patent:** **\*\* Jan. 1, 2008**

(54) **LABEL PRINTER WITH DISC RECORDER**

(75) Inventor: **Tooru Katayama**, Musashino (JP)

(73) Assignee: **Teac Corporation**, Musashino-Shi,  
Tokyo (JP)

(\*\*) Term: **14 Years**

(21) Appl. No.: **29/264,224**

(22) Filed: **Aug. 7, 2006**

(30) **Foreign Application Priority Data**

Feb. 8, 2006 (JP) ..... 2006-002743

(51) **LOC (8) Cl.** ..... **18-02**

(52) **U.S. Cl.** ..... **D18/19; D14/496**

(58) **Field of Classification Search** ..... D18/50,  
D18/54, 54.1, 55; D14/420-425, 462-470,  
D14/156, 478, 496; 400/613, 613.1-613.4,  
400/691-694, 690.1-690.4; D13/184  
See application file for complete search history.

(56) **References Cited**

**U.S. PATENT DOCUMENTS**

D321,999 S \* 12/1991 Hasuike ..... D6/446  
5,209,583 A \* 5/1993 Lewis et al. .... 400/692  
D370,479 S \* 6/1996 Omino ..... D14/463  
D390,591 S \* 2/1998 Okamoto et al. .... D18/39  
5,918,089 A \* 6/1999 Malinich et al. .... 399/90

D443,891 S \* 6/2001 Yonekawa et al. .... D18/55  
D465,465 S \* 11/2002 Chapman et al. .... D13/184  
D520,002 S \* 5/2006 Mello ..... D14/370  
D525,283 S \* 7/2006 Nakaeda ..... D18/19  
D528,587 S \* 9/2006 Nakaeda ..... D18/19  
D544,854 S \* 6/2007 Smith ..... D14/496

\* cited by examiner

*Primary Examiner*—Cathy Anne MacCormac

(74) *Attorney, Agent, or Firm*—Manabu Kanesaka

(57) **CLAIM**

The ornamental design for a label printer with disc recorder,  
as shown and described.

**DESCRIPTION**

FIG. 1 is a perspective view of a label printer with disc recorder showing my new design;

FIG. 2 is a front view thereof;

FIG. 3 is a rear view thereof;

FIG. 4 is a left side view thereof;

FIG. 5 is a right view thereof;

FIG. 6 is a plan view thereof;

FIG. 7 is a bottom view thereof; and,

FIG. 8 is another perspective view thereof with a front cover opened.

**1 Claim, 6 Drawing Sheets**

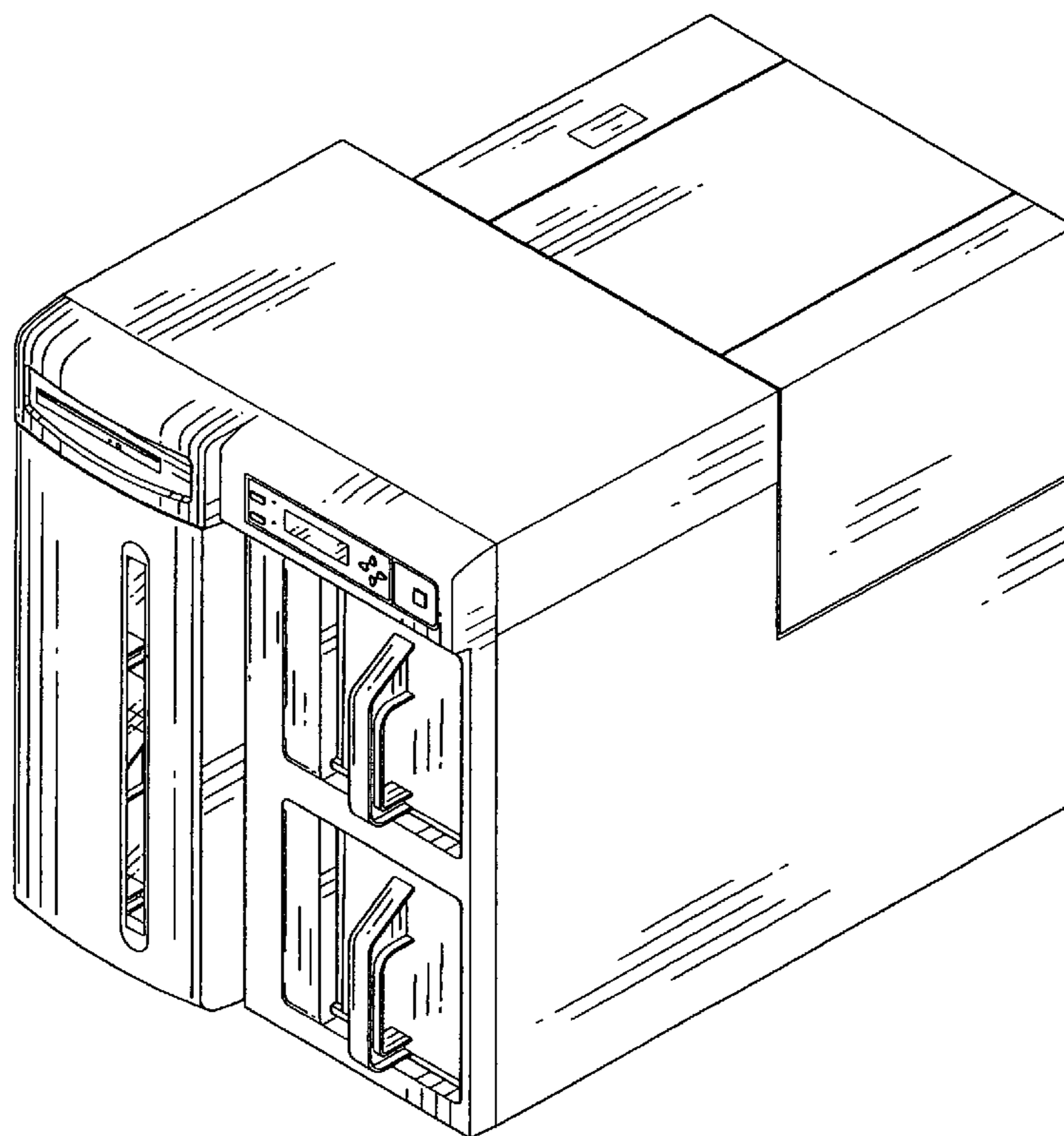


FIG. 1

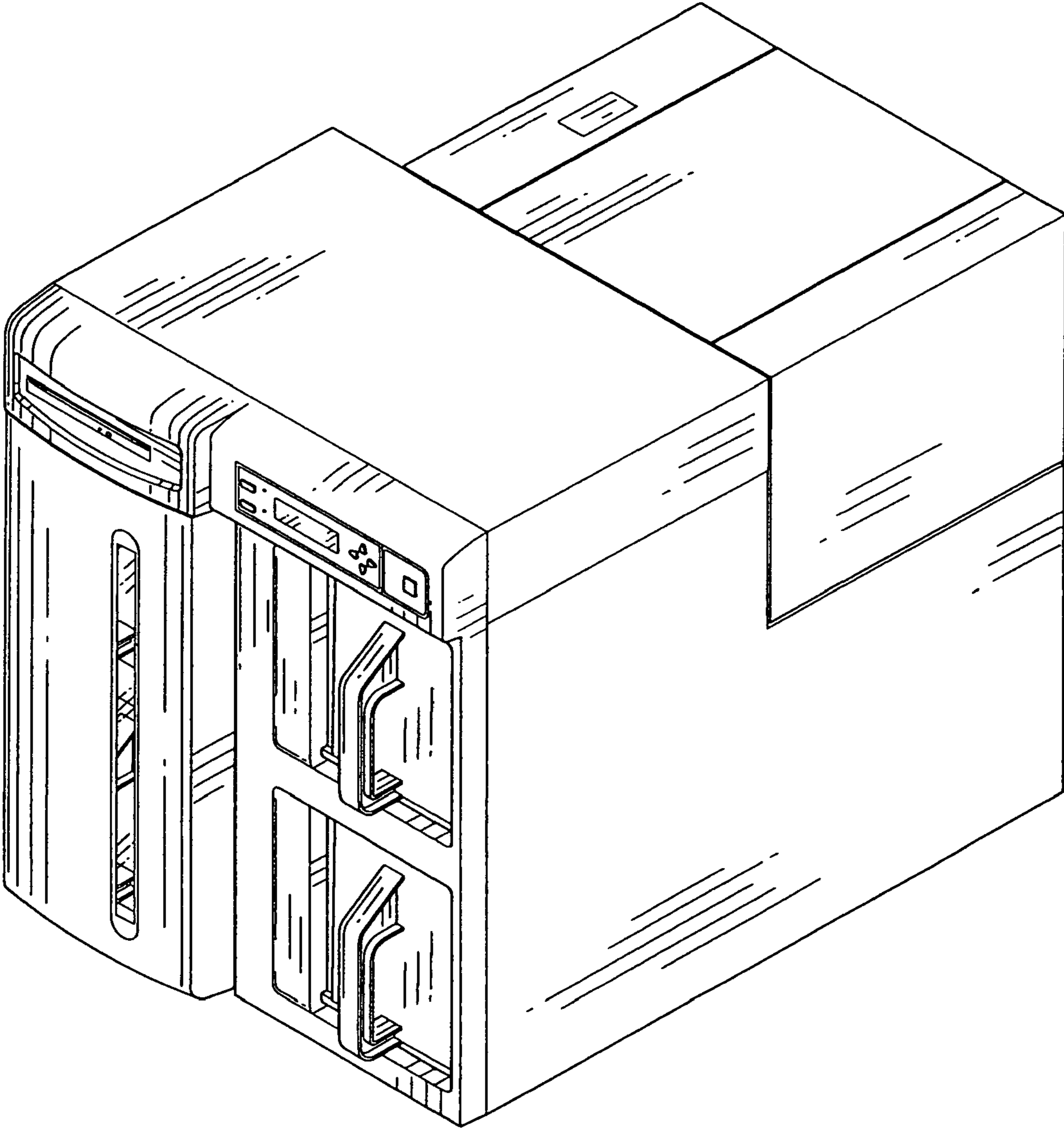


FIG. 2

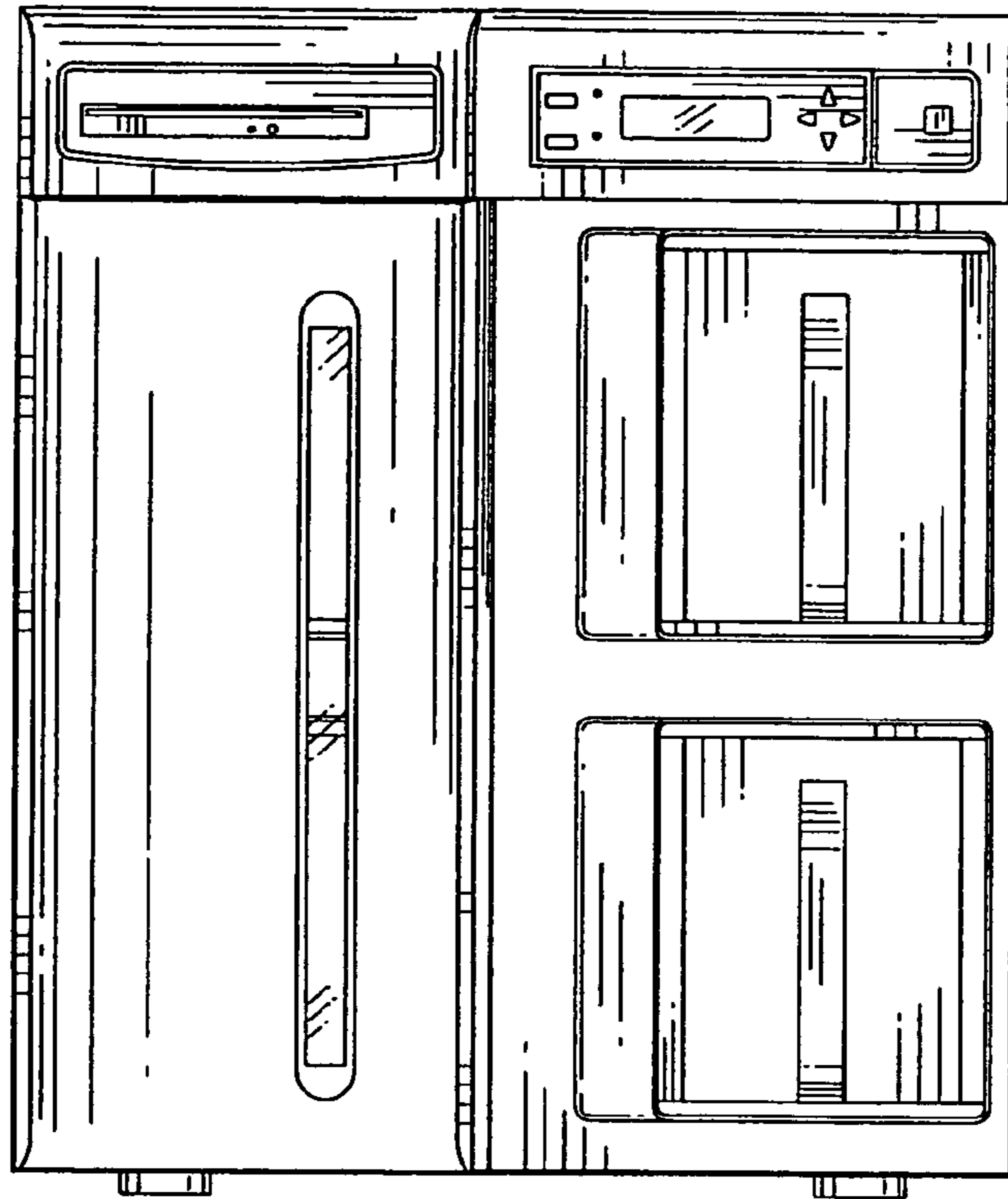


FIG. 3

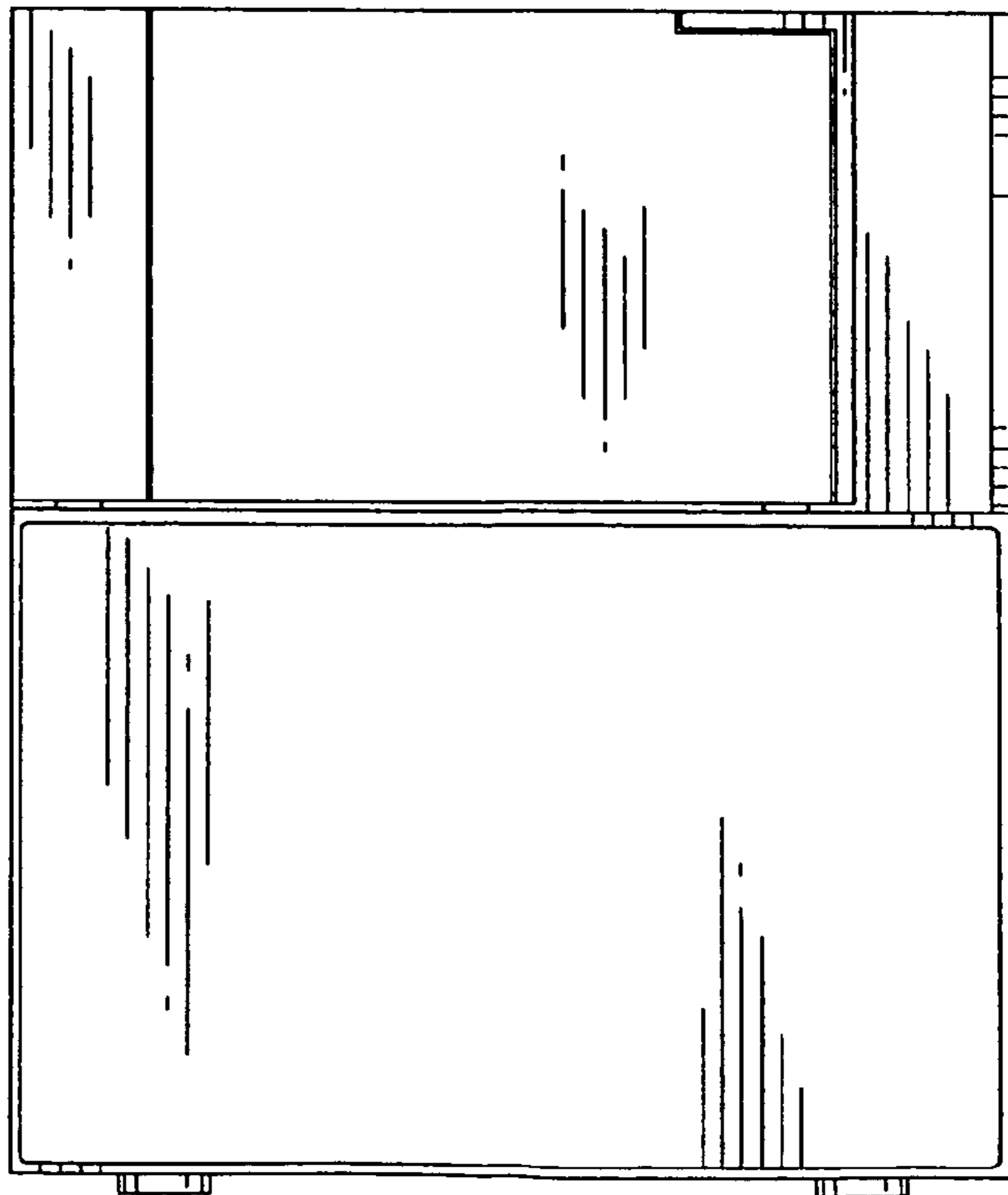


FIG. 4

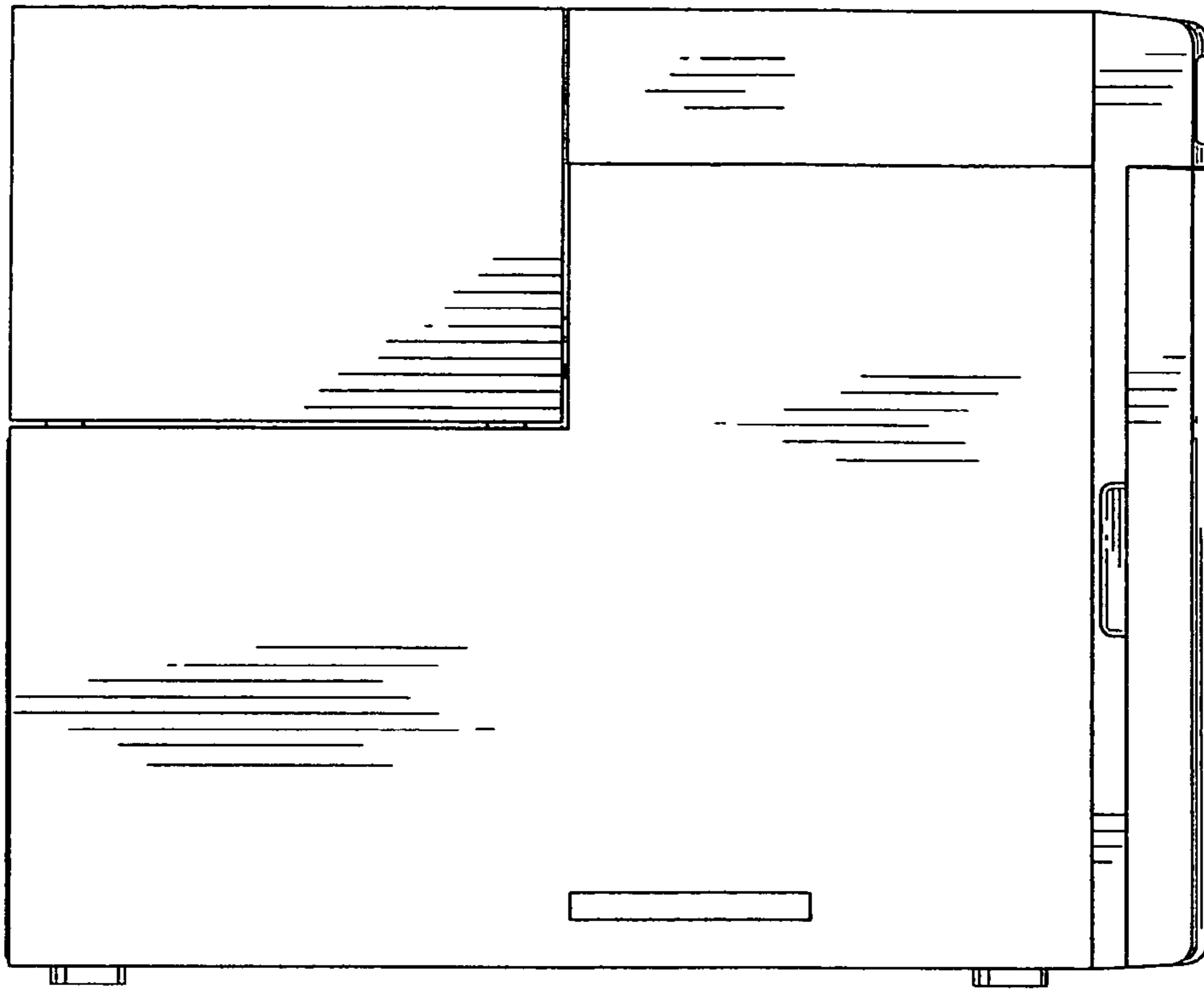


FIG. 5

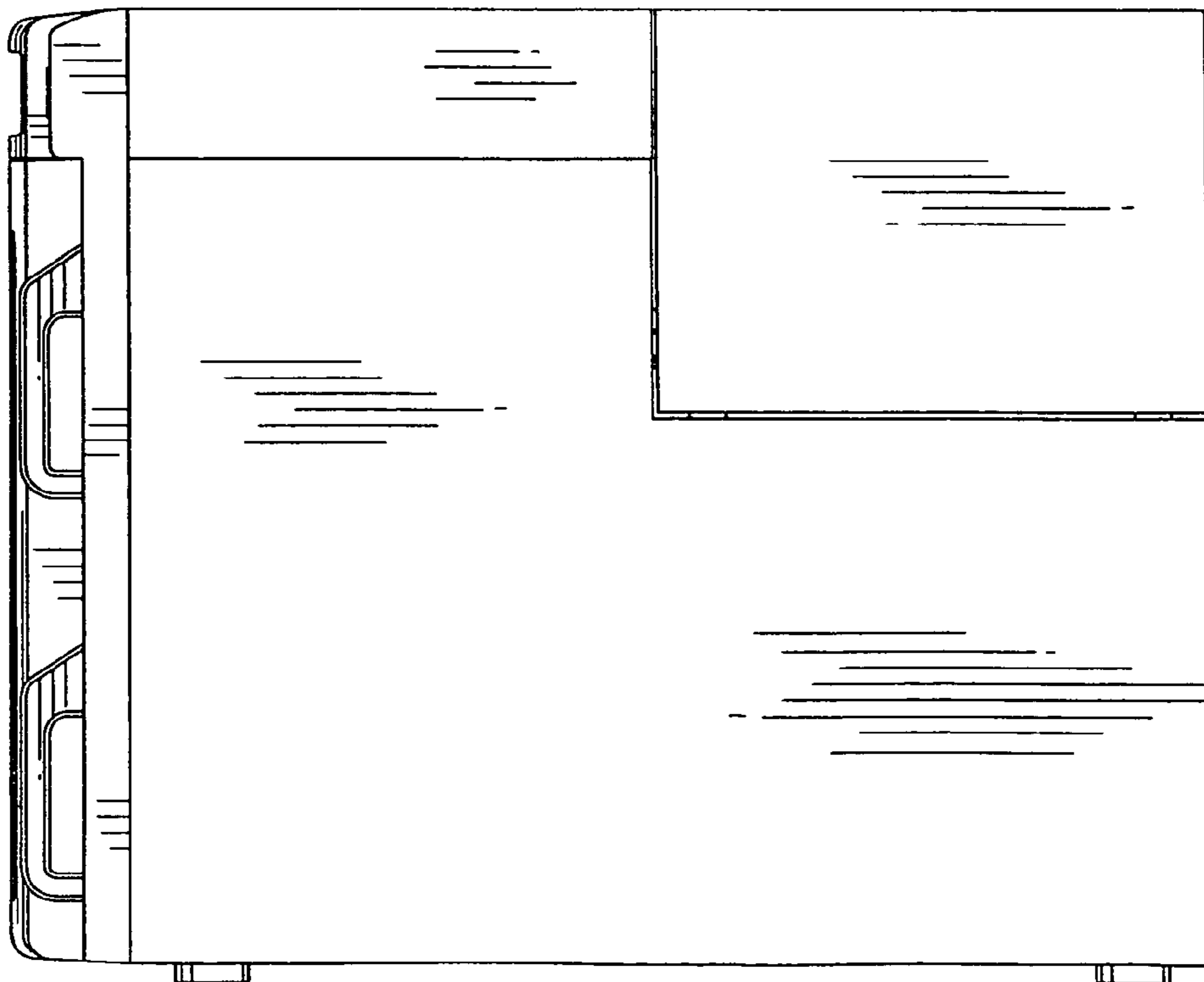


FIG. 6

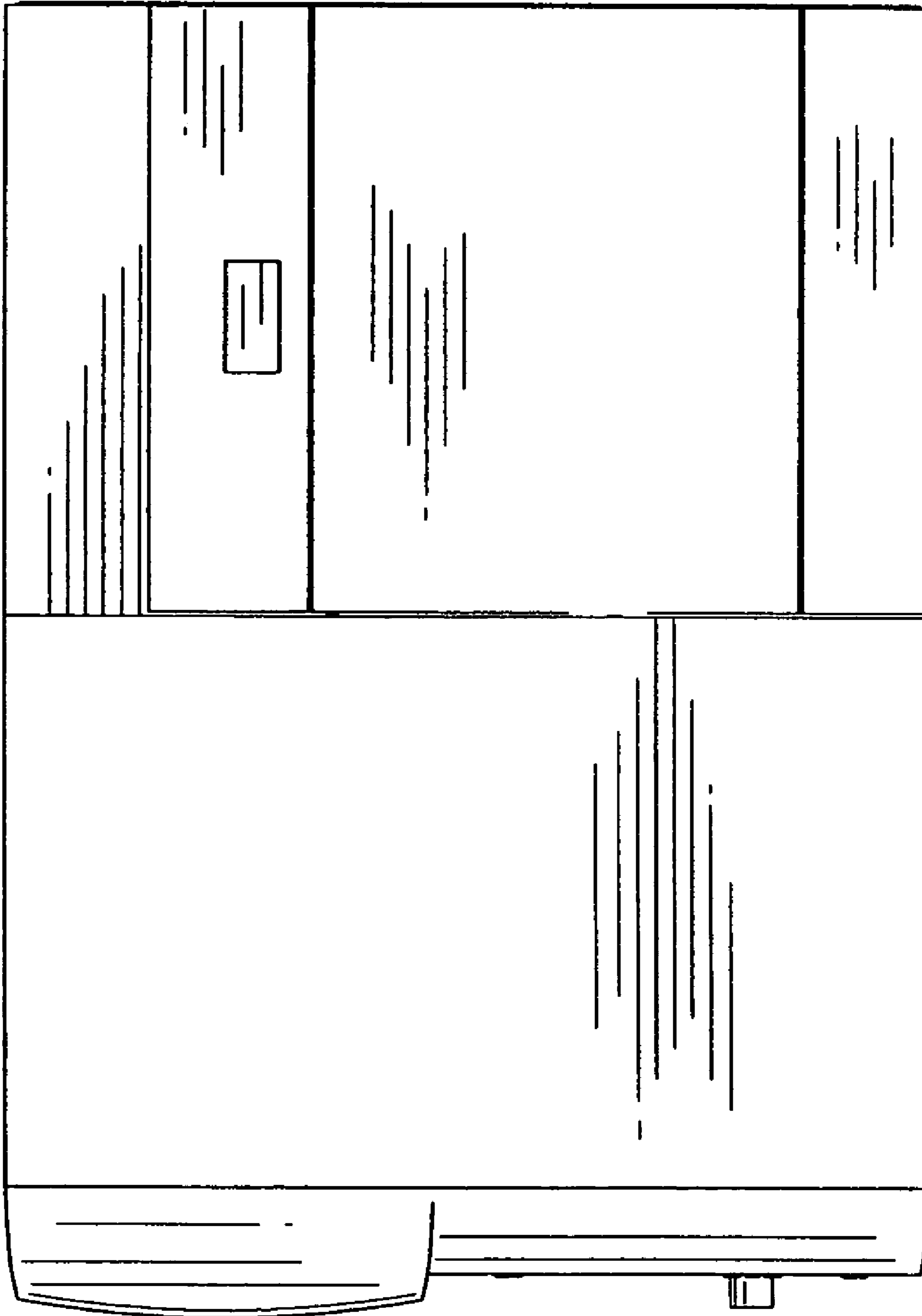


FIG. 7

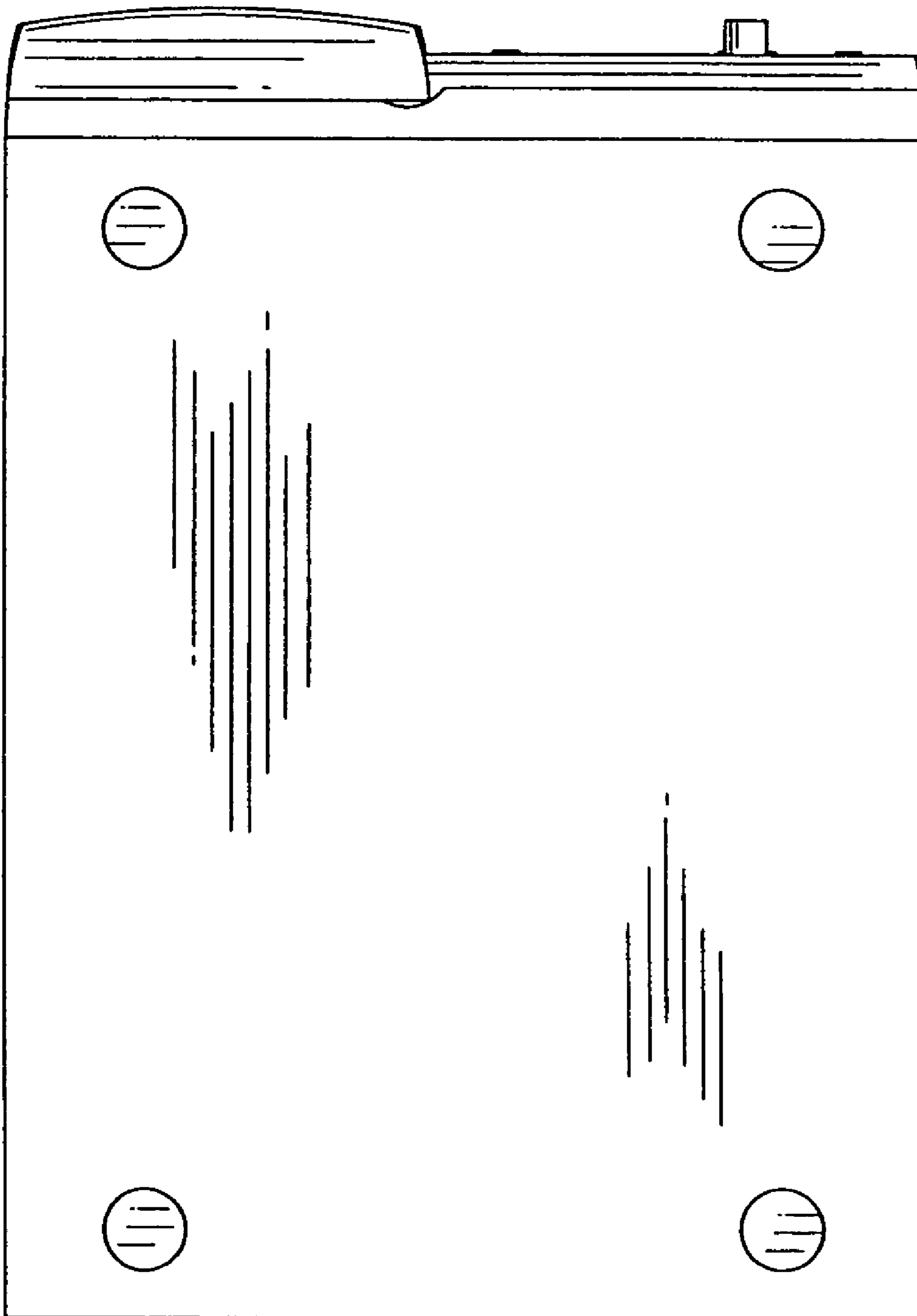




FIG. 8

