



US00D558811S

(12) **United States Design Patent**
Higgins et al.

(10) **Patent No.:** **US D558,811 S**
(45) **Date of Patent:** **** Jan. 1, 2008**

(54) **CAMERA ENCLOSURE**

6,392,704 B1 * 5/2002 Garcia-Ortiz 348/373
6,803,962 B1 * 10/2004 Elberbaum et al. 348/373

(75) Inventors: **Michael T. Higgins**, Fresno, CA (US);
Alexey V. Pokrovsky, Fresno, CA
(US); **David L. A. Toste**, Fresno, CA
(US)

OTHER PUBLICATIONS

PELCO, Product Specification, ICS 200 Series Camclosure Camera System, Jun. 2004.

(73) Assignee: **Pelco**, Clovis, CA (US)

* cited by examiner

(**) Term: **14 Years**

Primary Examiner—Ian Simmons

Assistant Examiner—Wan Laymon

(21) Appl. No.: **29/234,776**

(74) *Attorney, Agent, or Firm*—Mark D. Miller

(22) Filed: **Jul. 21, 2005**

(57) **CLAIM**

(51) **LOC (8) Cl.** **16-01**

The ornamental design for a camera enclosure, as shown and described.

(52) **U.S. Cl.** **D16/203; D16/208**

(58) **Field of Classification Search** D16/200–206,
D16/208, 214, 219, 241–245, 249, 250, 235,
D16/218; 340/937; 348/143, 151, 149,
348/373–376, 213; 352/242, 243; 396/419,
396/427

See application file for complete search history.

DESCRIPTION

FIG. 1 is a front perspective view of a camera enclosure showing our new design;

FIG. 2 is a rear elevational view thereof;

FIG. 3 is a bottom plan view thereof;

FIG. 4 is a front elevational view thereof;

FIG. 5 is a right side elevational view thereof;

FIG. 6 is a left side elevational view thereof;

FIG. 7 is a top plan thereof; and,

FIG. 8 is a rear perspective view thereof.

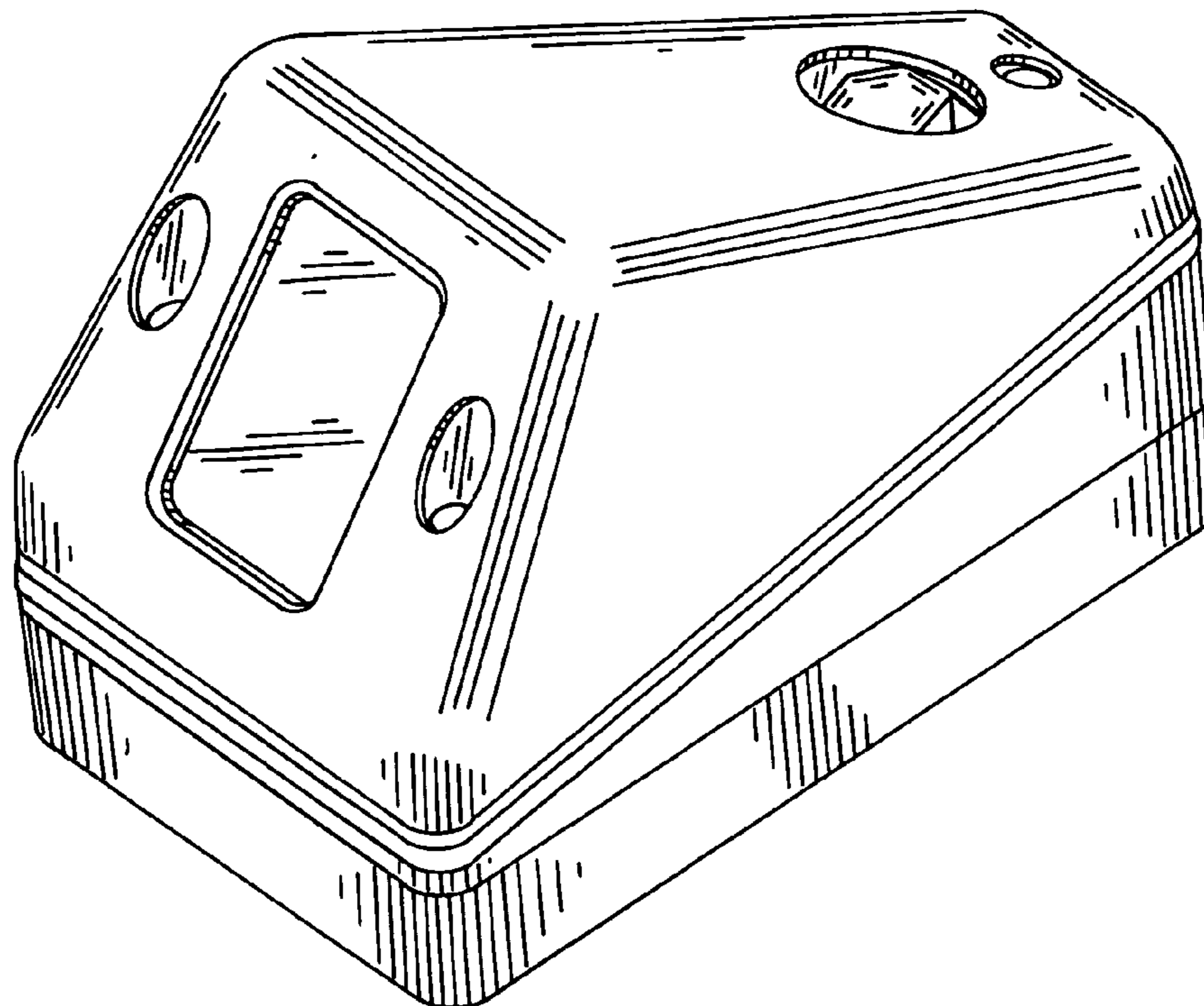
The broken lines in FIG. 3 are for illustrative purposes only and form no part of the claimed design.

(56) **References Cited**

U.S. PATENT DOCUMENTS

D217,153 S *	4/1970	Adkins et al.	D16/203
D226,453 S *	3/1973	Bundy et al.	D16/203
D273,012 S *	3/1984	Kozloski	D16/203
D282,068 S *	1/1986	Claggett	D16/202
D320,028 S *	9/1991	Sedighzadeh et al.	D16/203
D334,763 S *	4/1993	Sedighzadeh et al.	D16/203
D354,973 S *	1/1995	Hisatune et al.	D16/203
D403,340 S	12/1998	Arbuckle	

1 Claim, 5 Drawing Sheets



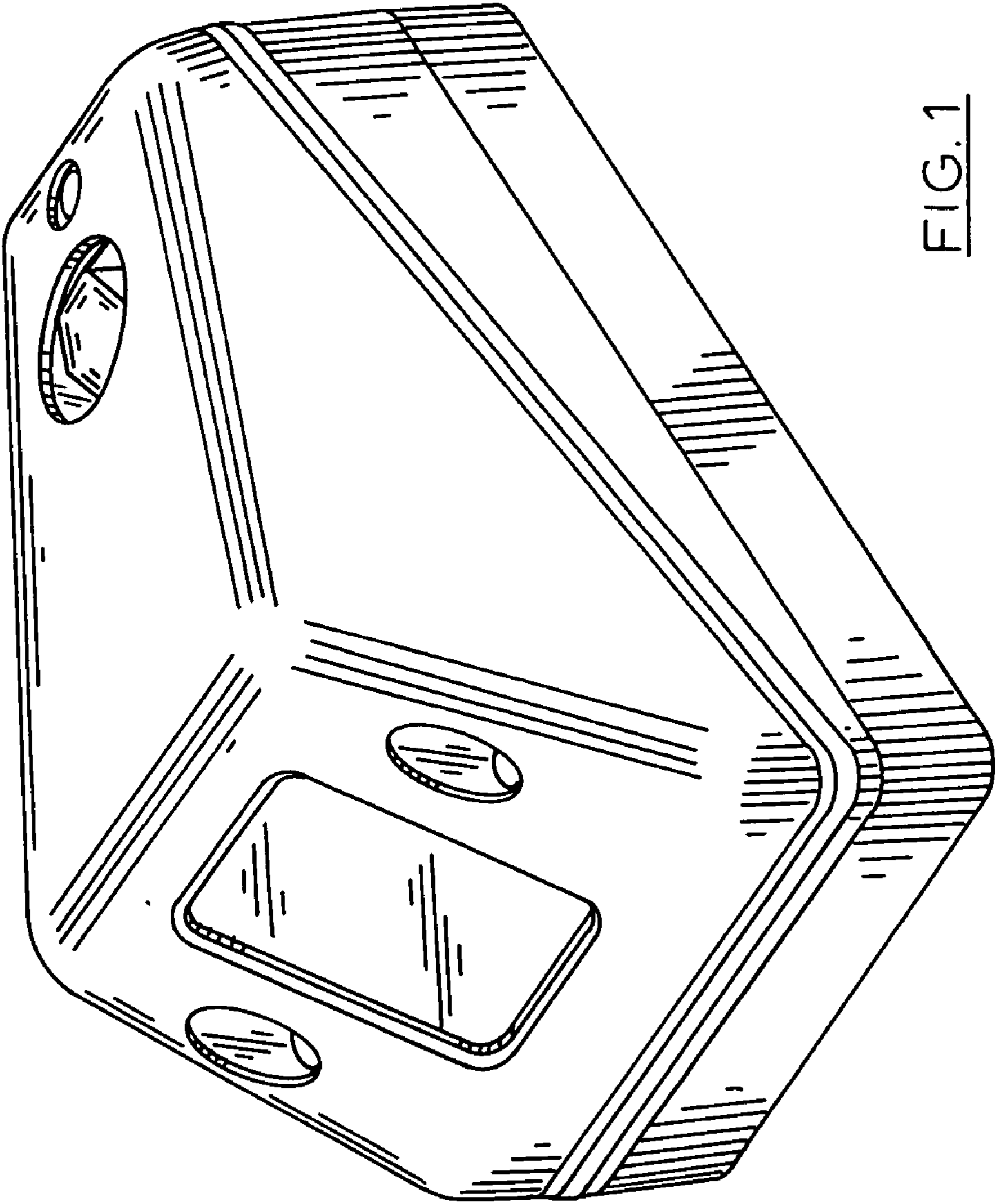


FIG. 1

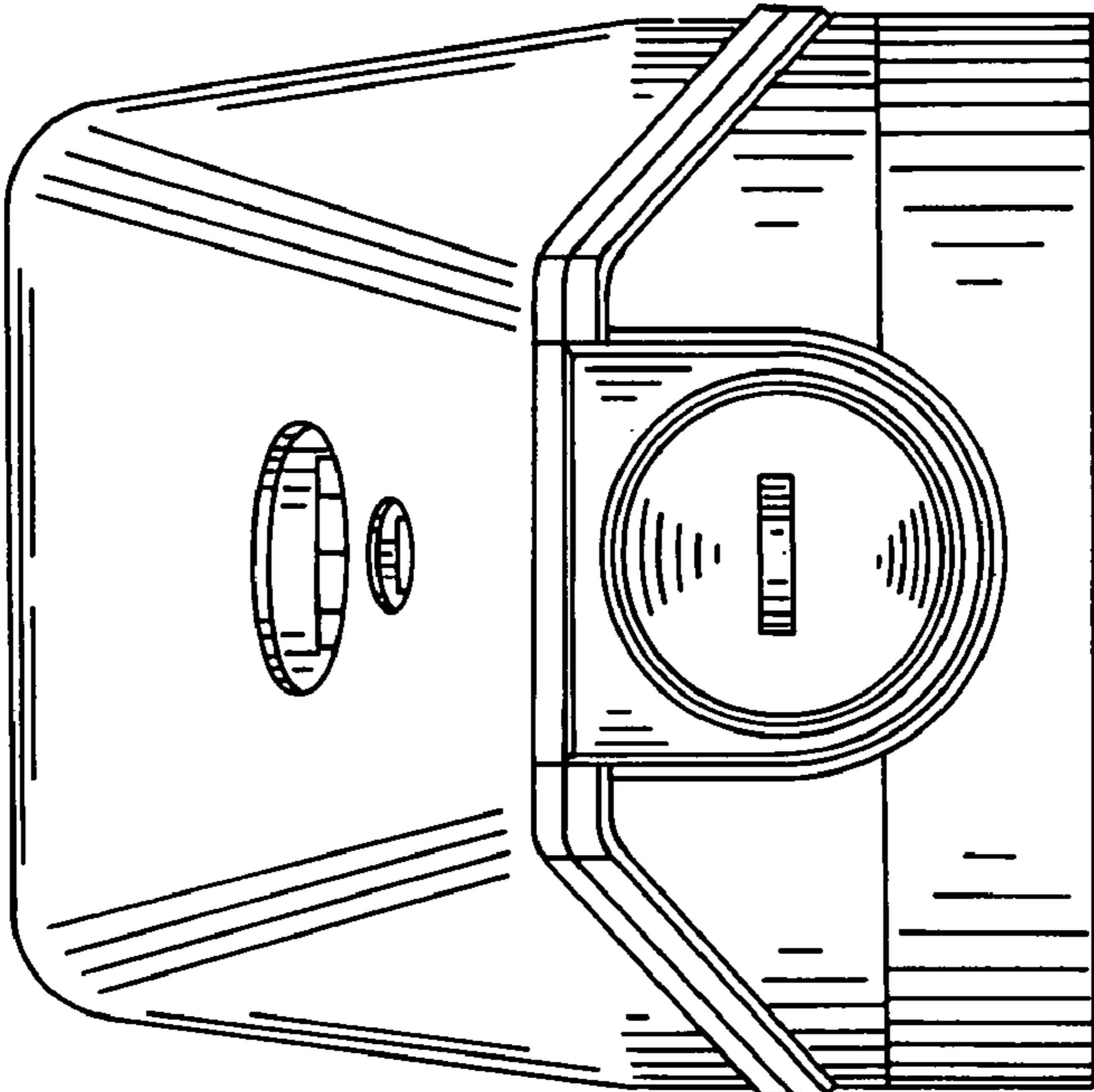


FIG. 2

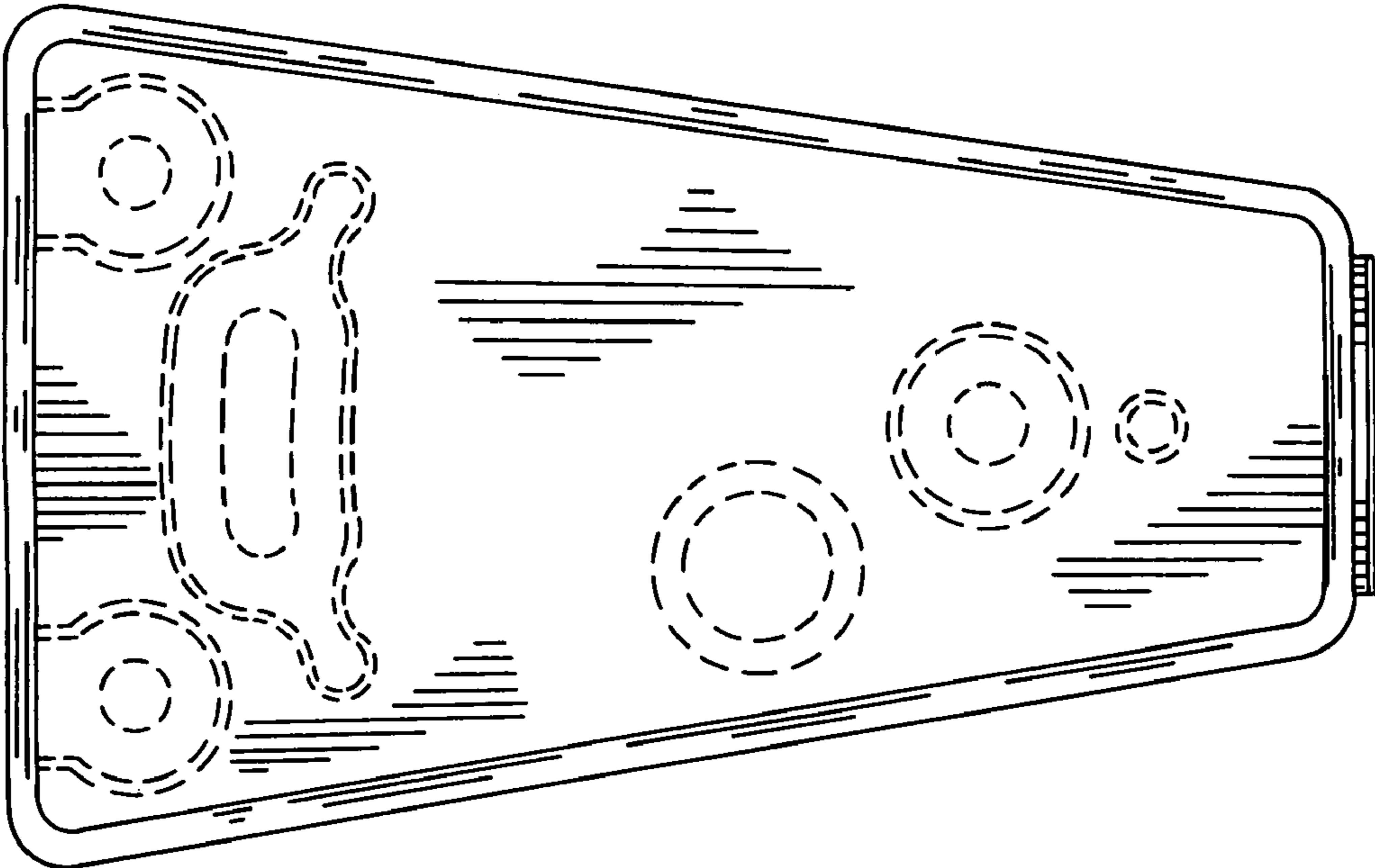


FIG. 3

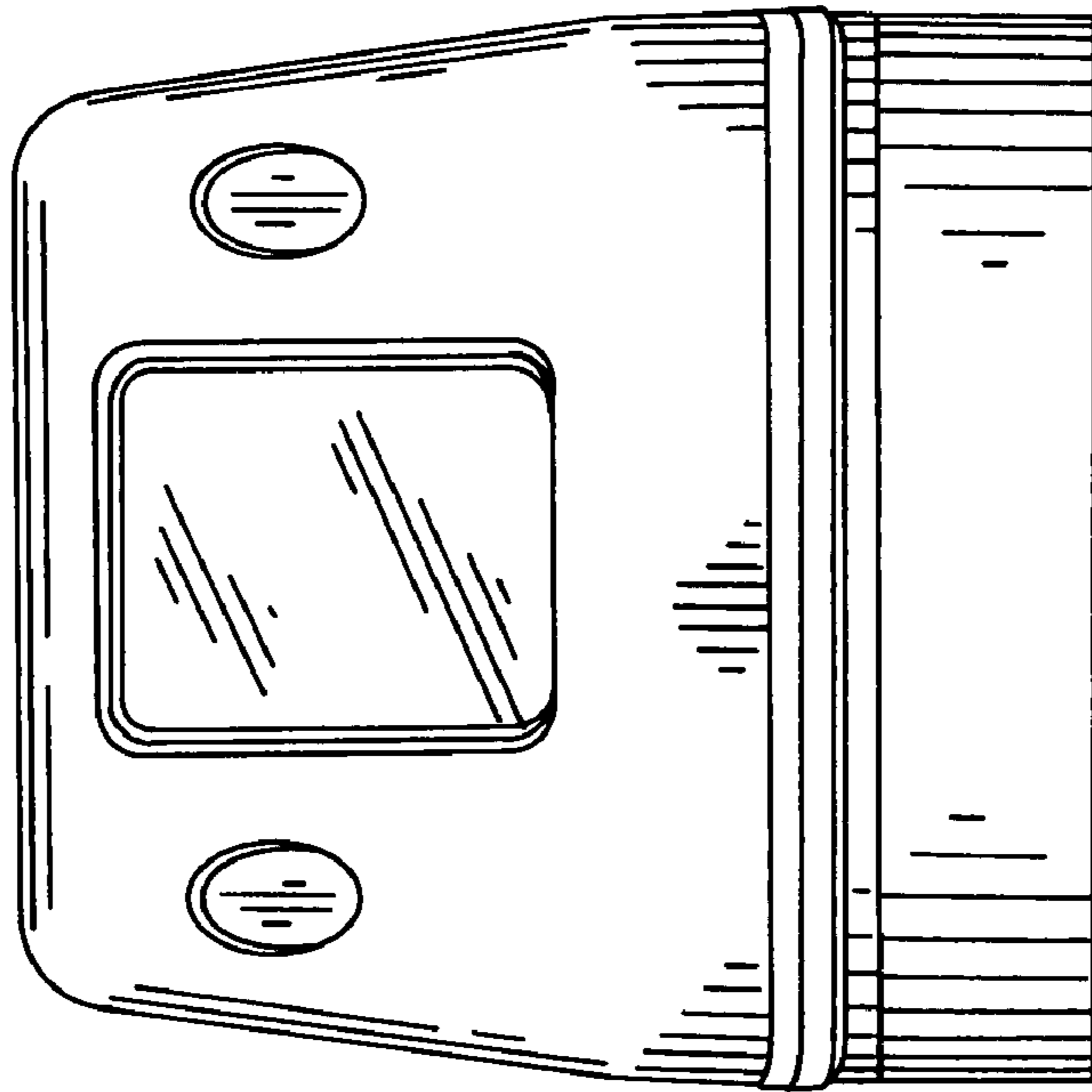


FIG. 4

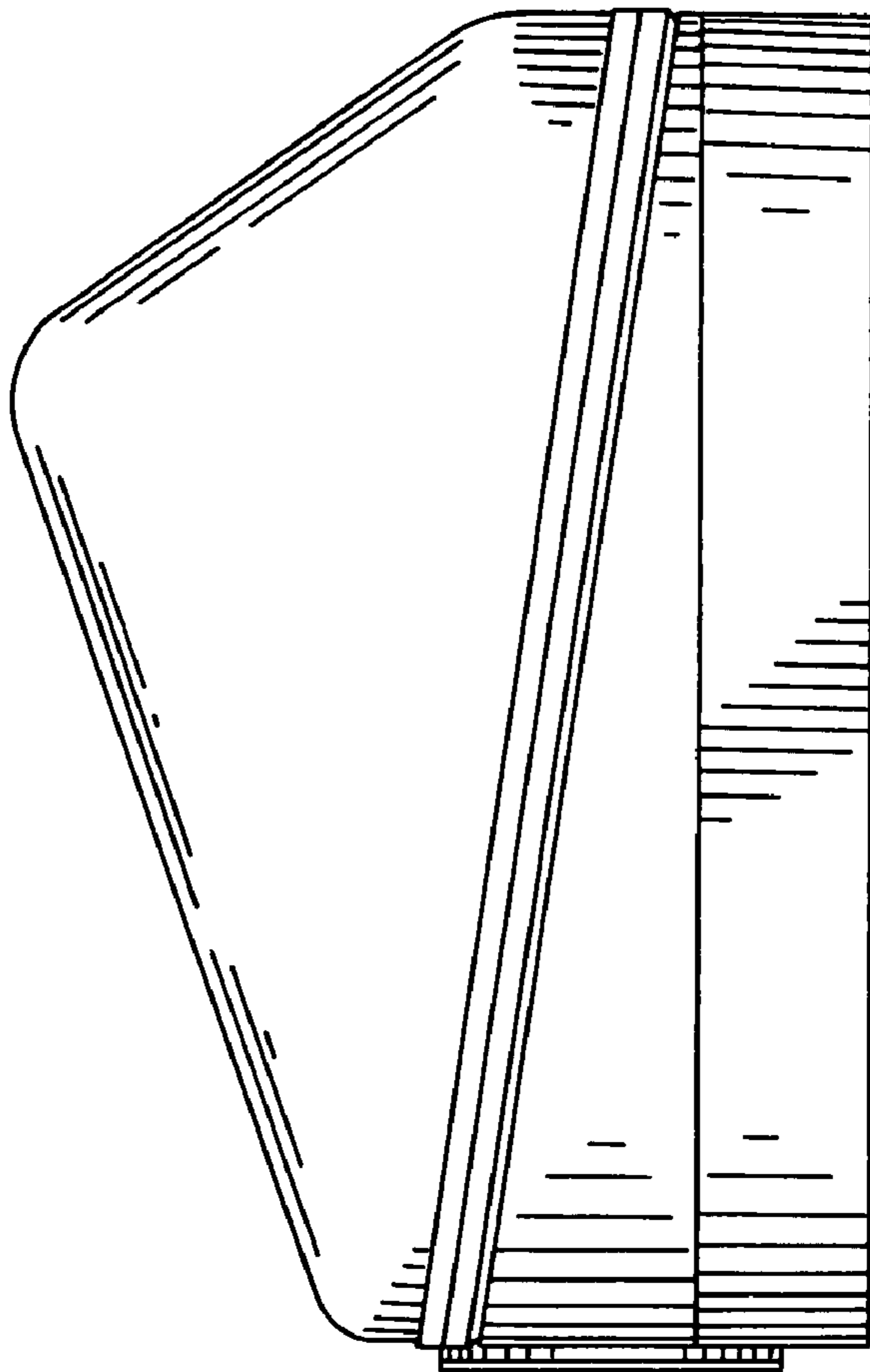


FIG. 5

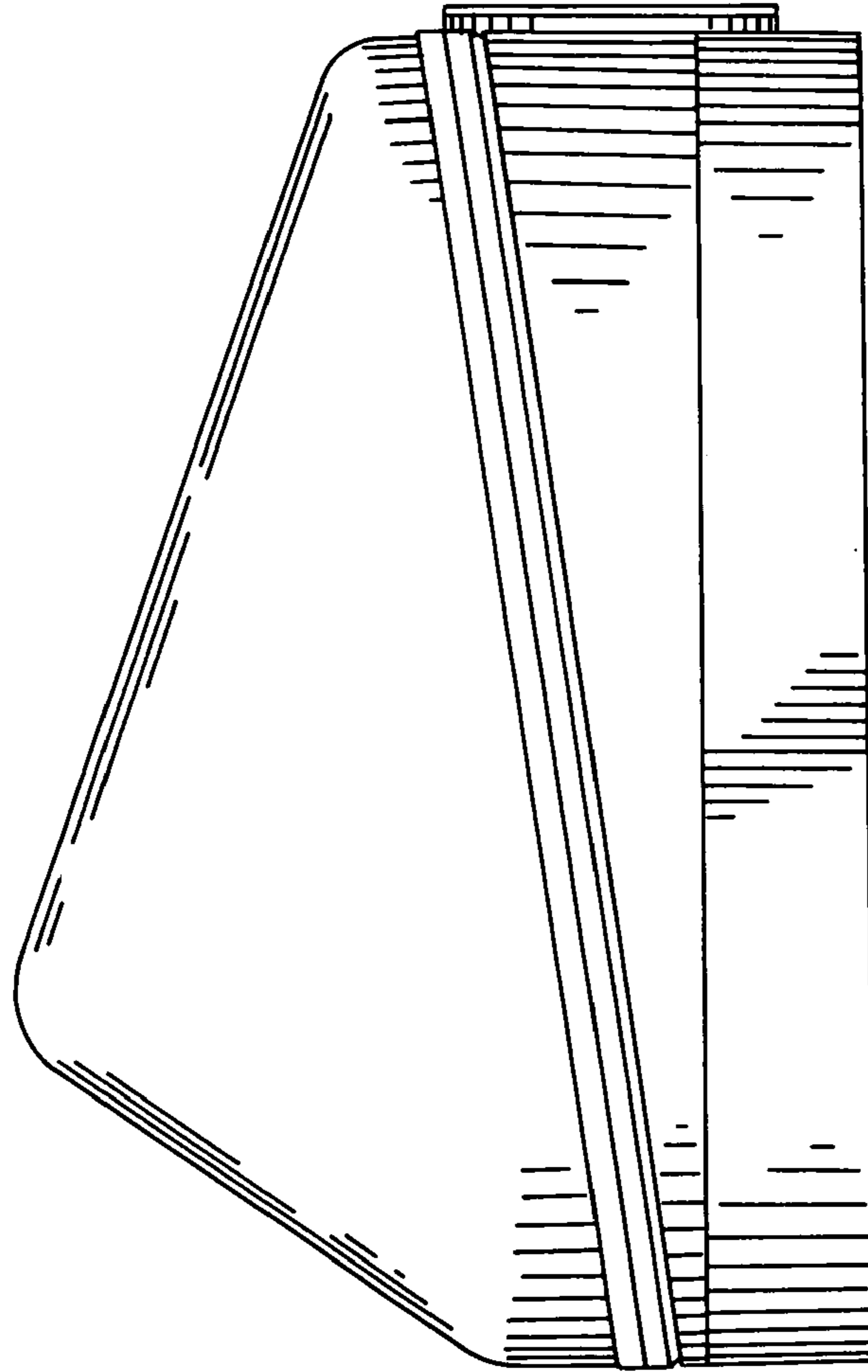


FIG. 6

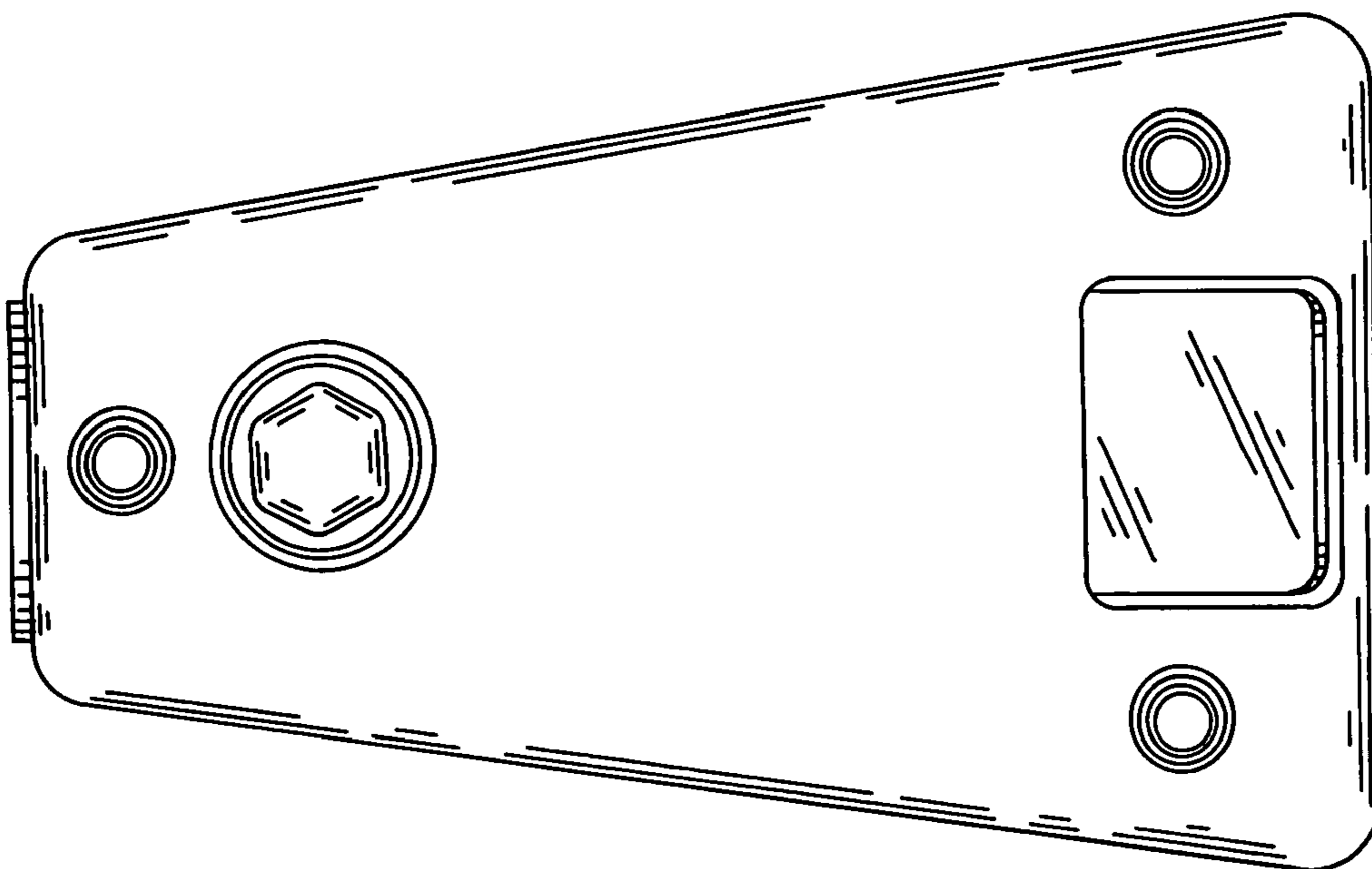


FIG. 7

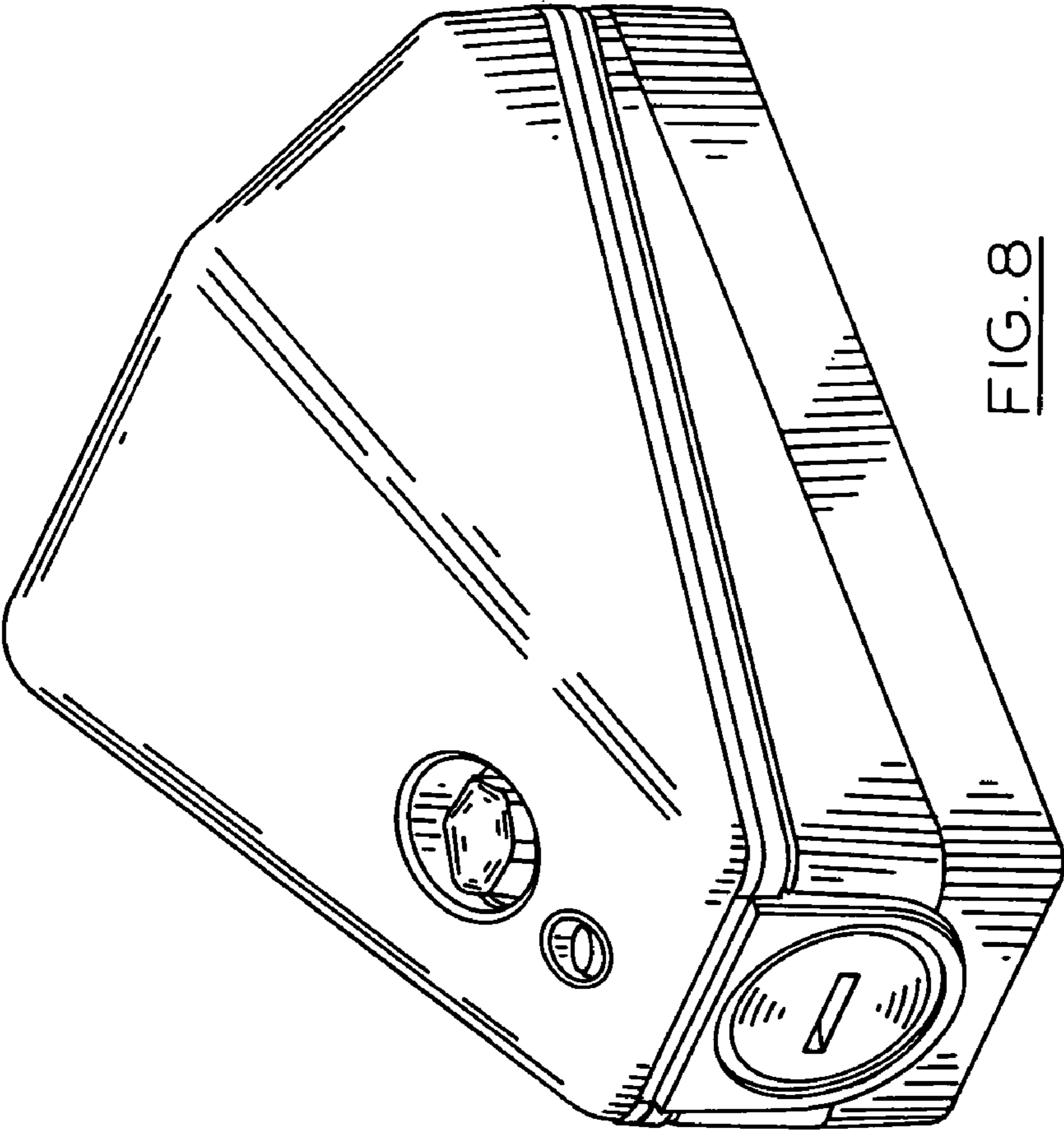


FIG. 8