



US00D558809S

(12) **United States Design Patent**  
**Nakamura**

(10) **Patent No.:** **US D558,809 S**  
(45) **Date of Patent:** **\*\* Jan. 1, 2008**

(54) **DIGITAL STILL CAMERA**

(75) Inventor: **Makoto Nakamura**, Kadoma (JP)

(73) Assignee: **Matsushita Electric Industrial Co., Ltd.**, Osaka (JP)

(\*\*) Term: **14 Years**

(21) Appl. No.: **29/261,742**

(22) Filed: **Jun. 20, 2006**

(30) **Foreign Application Priority Data**

Dec. 20, 2005 (JP) ..... 2005-037385

(51) **LOC (8) Cl.** ..... **16-01**

(52) **U.S. Cl.** ..... **D16/202**

(58) **Field of Classification Search** ..... D16/200-206,  
D16/208, 209, 218; 348/373-376; 358/909.1;  
396/535-541

See application file for complete search history.

(56) **References Cited**

**U.S. PATENT DOCUMENTS**

|                |         |                  |       |         |
|----------------|---------|------------------|-------|---------|
| D430,187 S *   | 8/2000  | Naito            | ..... | D16/218 |
| D447,759 S *   | 9/2001  | Jin              | ..... | D16/209 |
| 6,584,285 B2 * | 6/2003  | Nagata           | ..... | 396/535 |
| D484,162 S     | 12/2003 | Moore et al.     | ..... | D16/218 |
| D490,833 S *   | 6/2004  | Sakaguchi et al. | ..... | D16/202 |
| D494,611 S     | 8/2004  | Nakamura         | ..... | D16/202 |

|              |        |          |       |         |
|--------------|--------|----------|-------|---------|
| D496,060 S   | 9/2004 | Nagayama | ..... | D16/202 |
| D528,579 S * | 9/2006 | Yasutomi | ..... | D16/202 |
| D545,335 S * | 6/2007 | Kanno    | ..... | D26/202 |

**OTHER PUBLICATIONS**

Matsushita Electric Industrial Co., Ltd., Global Catalog, Panasonic Digital Camera (DMC-LC1), 2005, 4 pages.

\* cited by examiner

*Primary Examiner*—Adir Aronovich

(74) *Attorney, Agent, or Firm*—Brinks Hofer Gilson & Lione

(57) **CLAIM**

I claim the ornamental design for a digital still camera, as shown and described.

**DESCRIPTION**

FIG. 1 is a top, front and right side perspective view of a digital still camera of the present invention;

FIG. 2 is a front view thereof;

FIG. 3 is a top view thereof;

FIG. 4 is a left side view thereof;

FIG. 5 is a right side view thereof;

FIG. 6 is a bottom view thereof; and,

FIG. 7 is a rear view thereof.

**1 Claim, 3 Drawing Sheets**

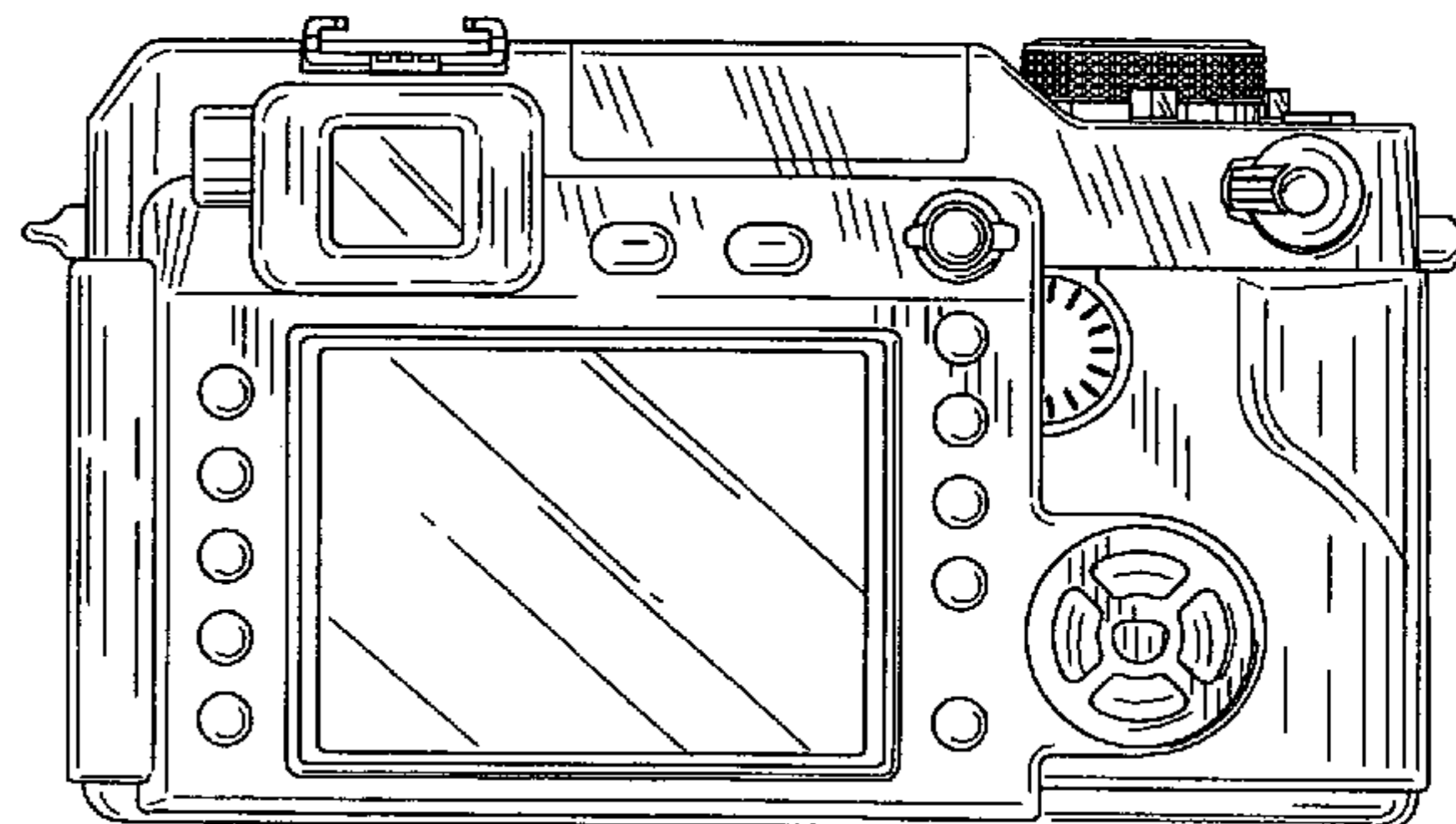
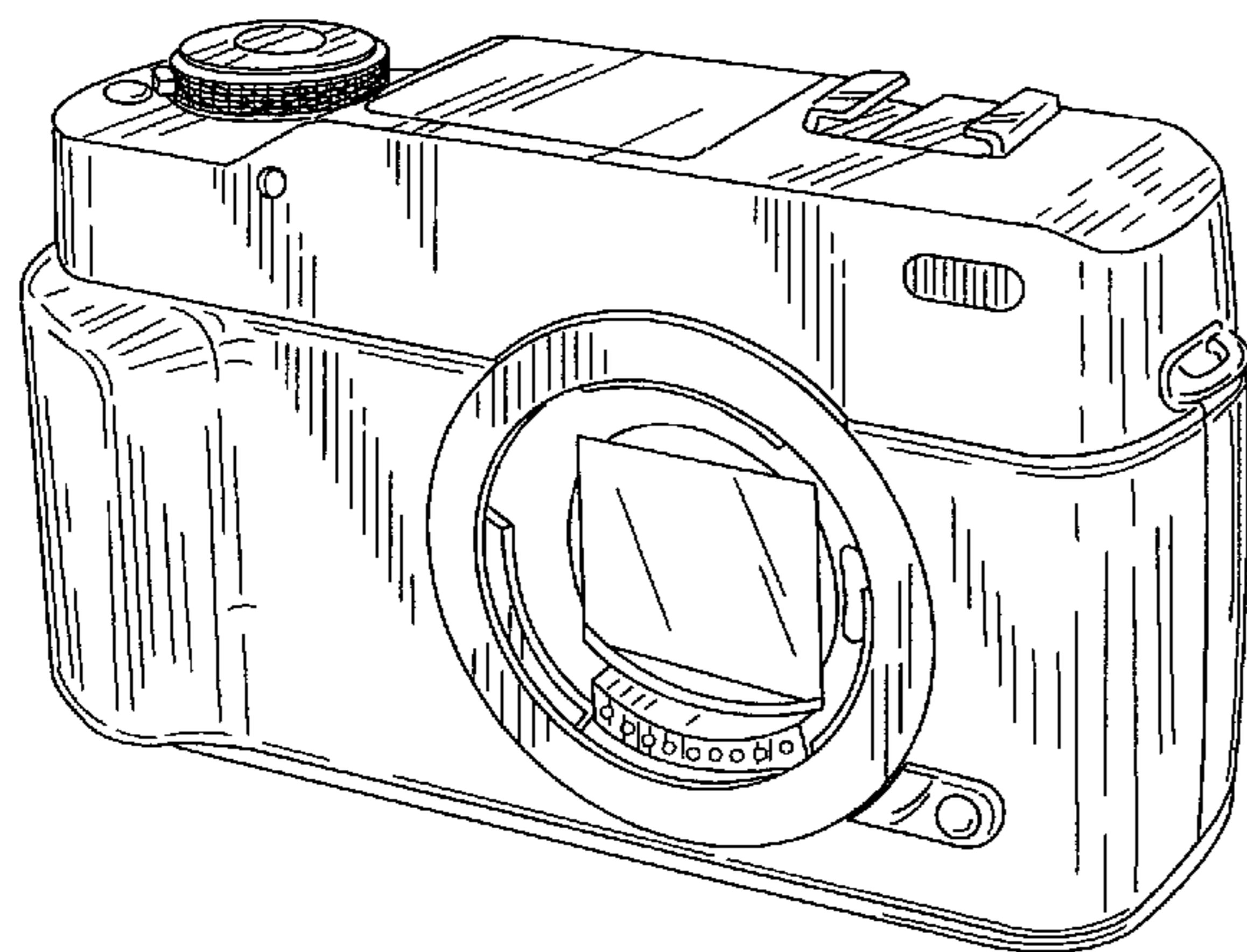


FIG.1

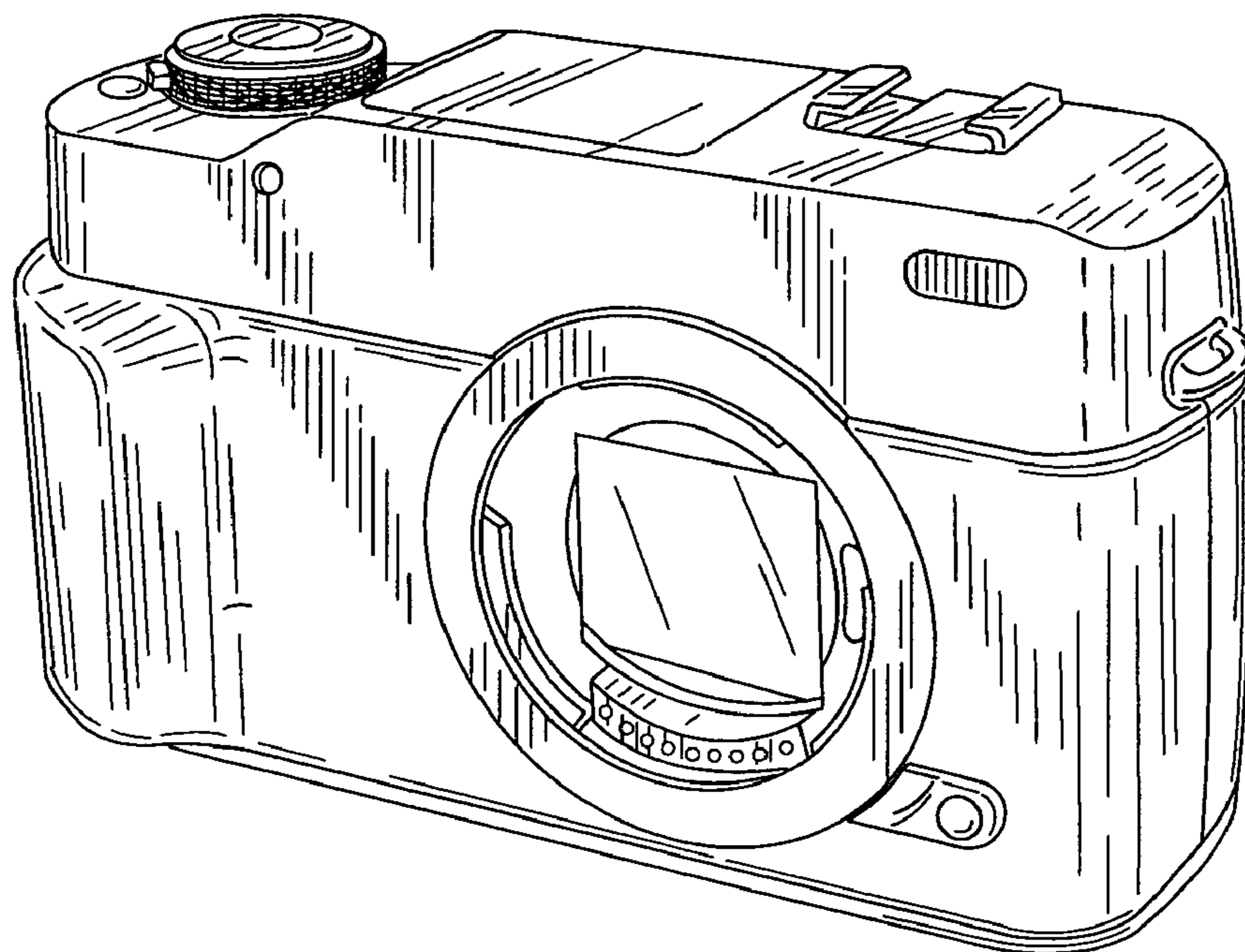


FIG.2

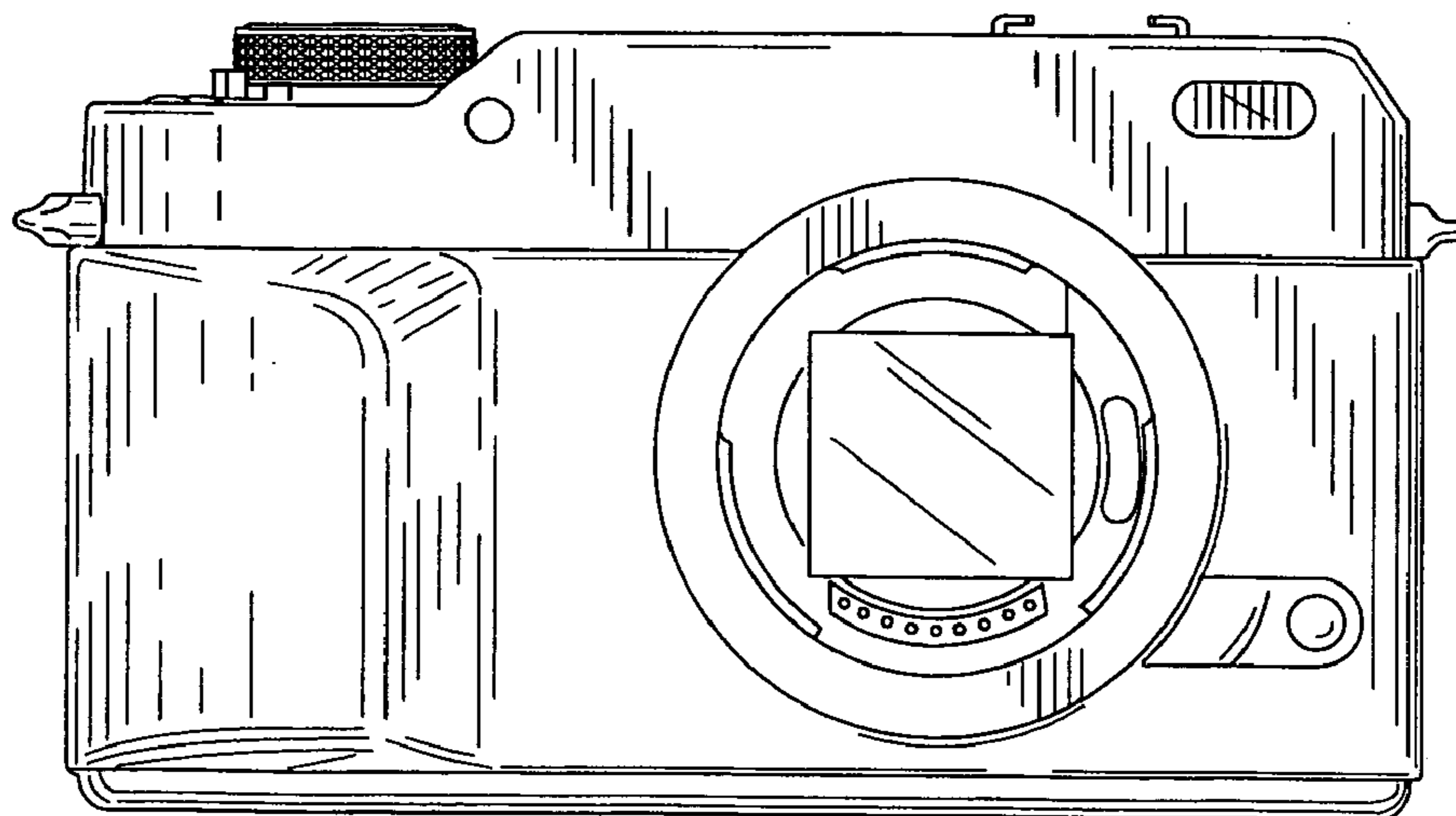


FIG.3

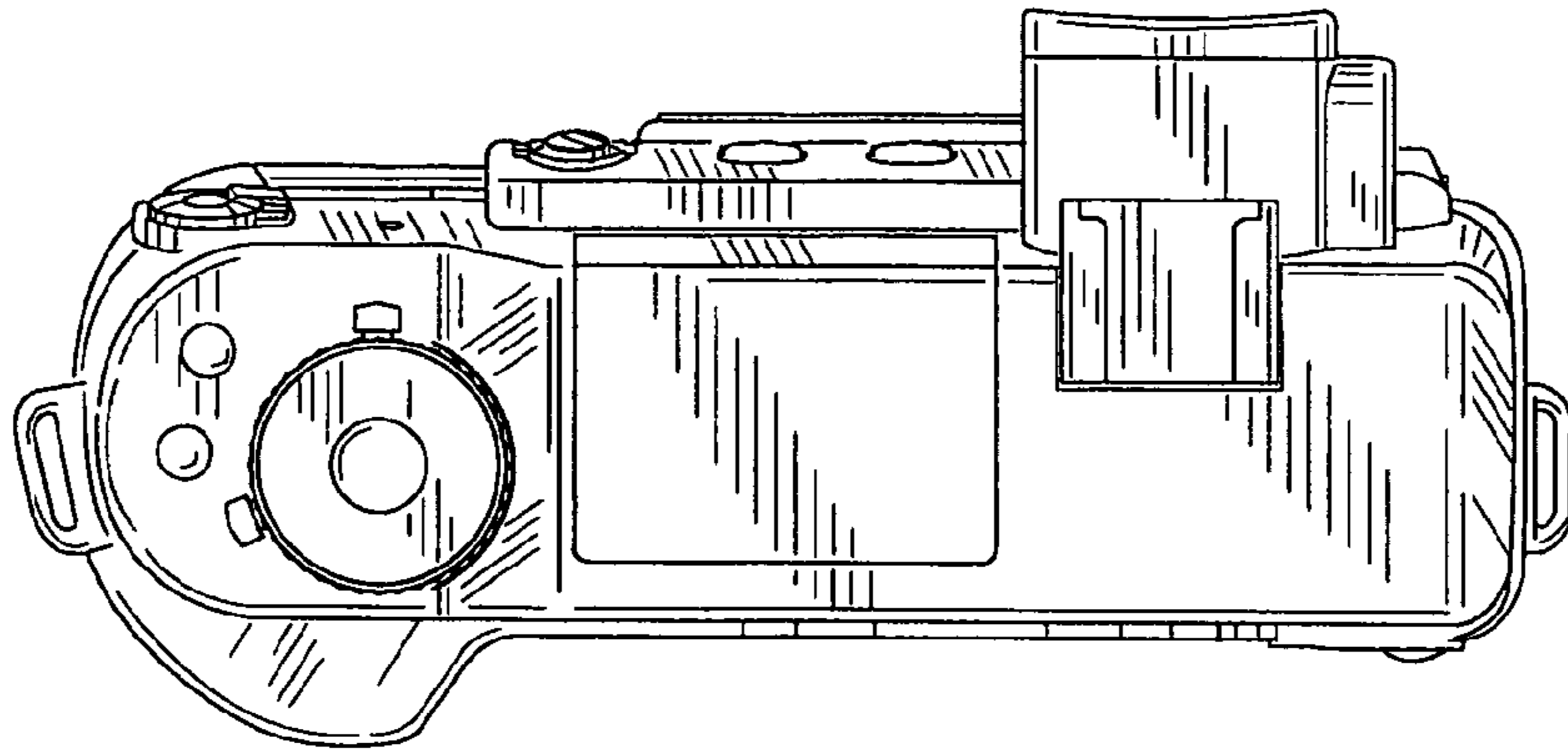


FIG.4

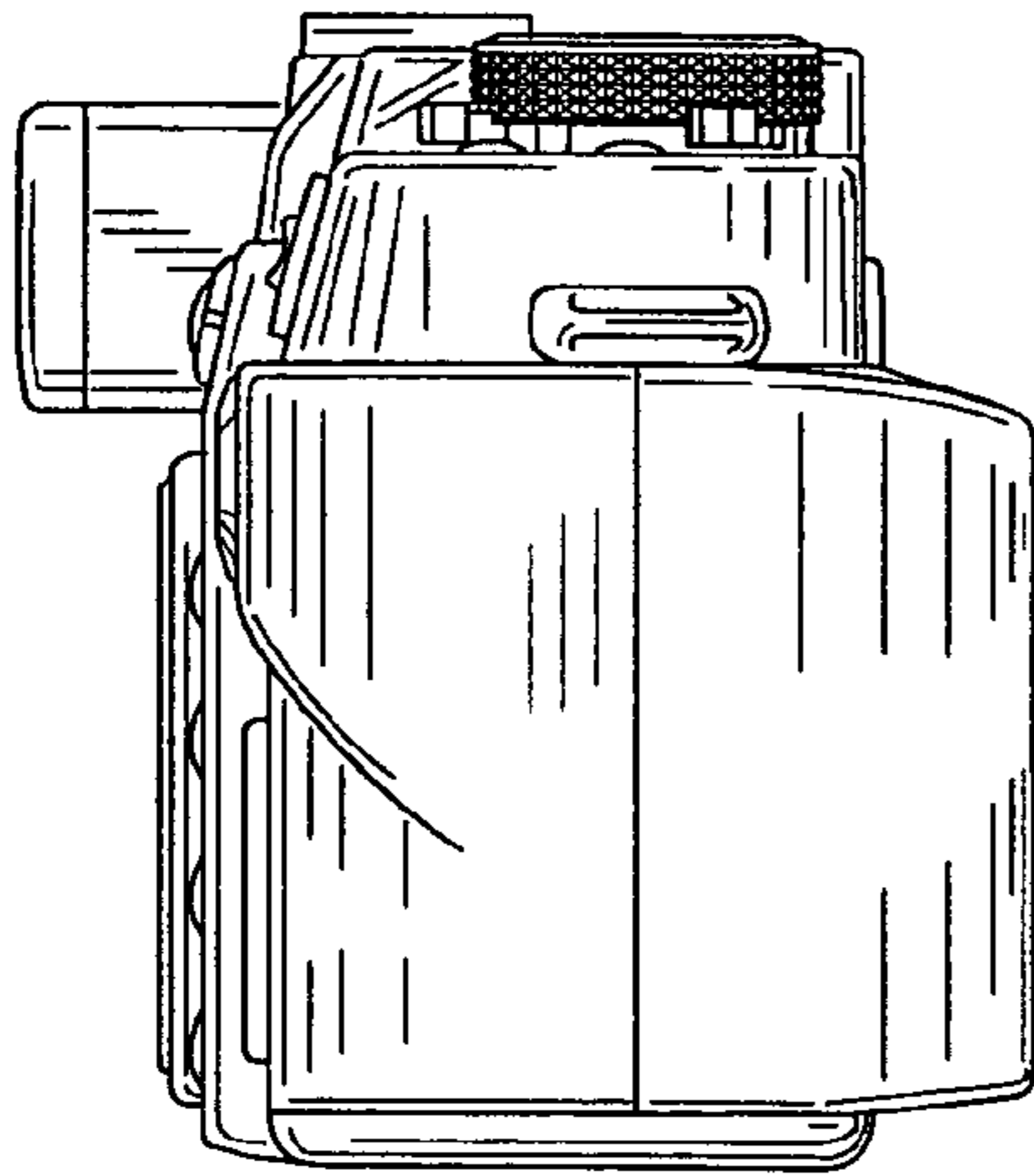


FIG.5

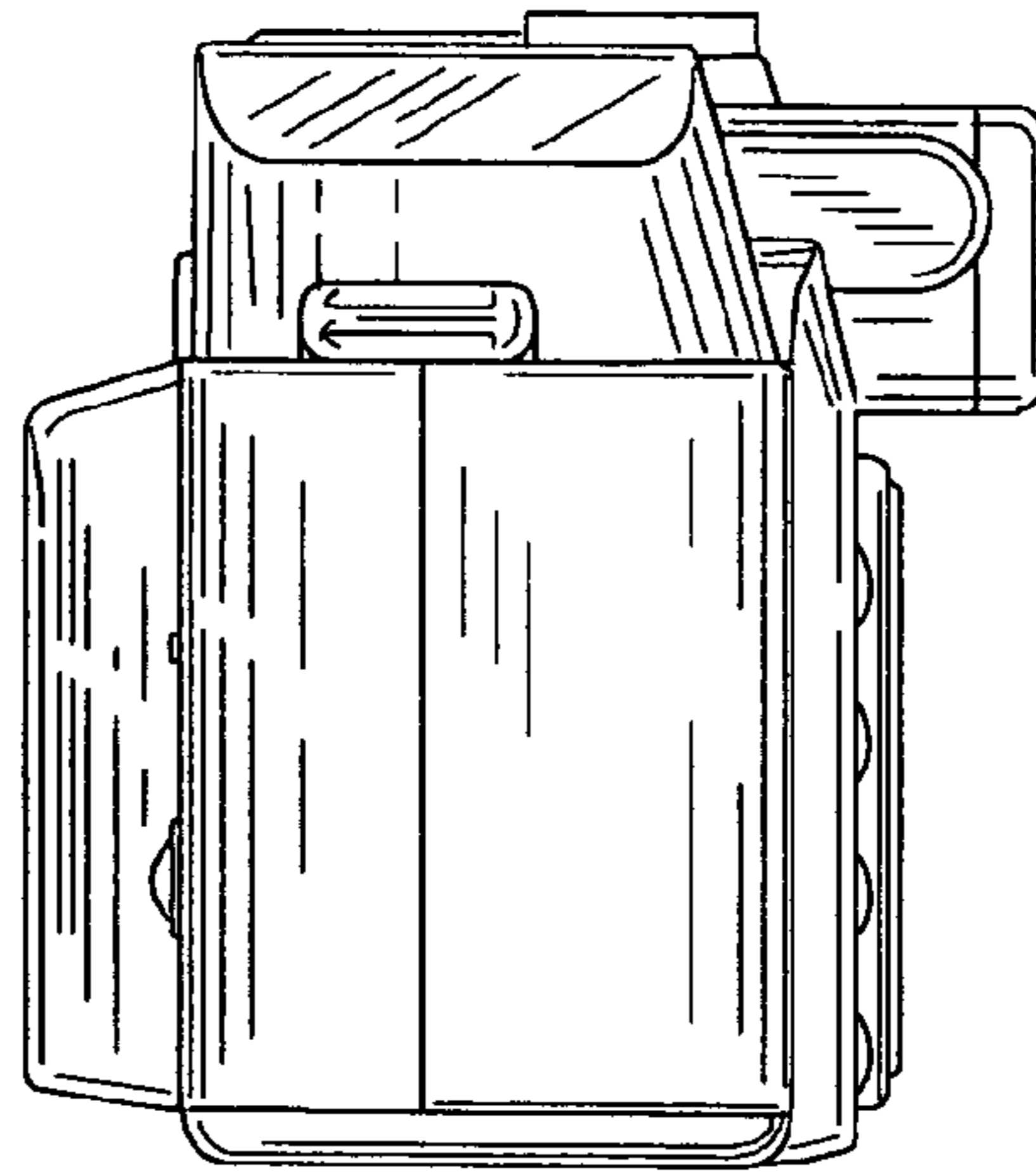
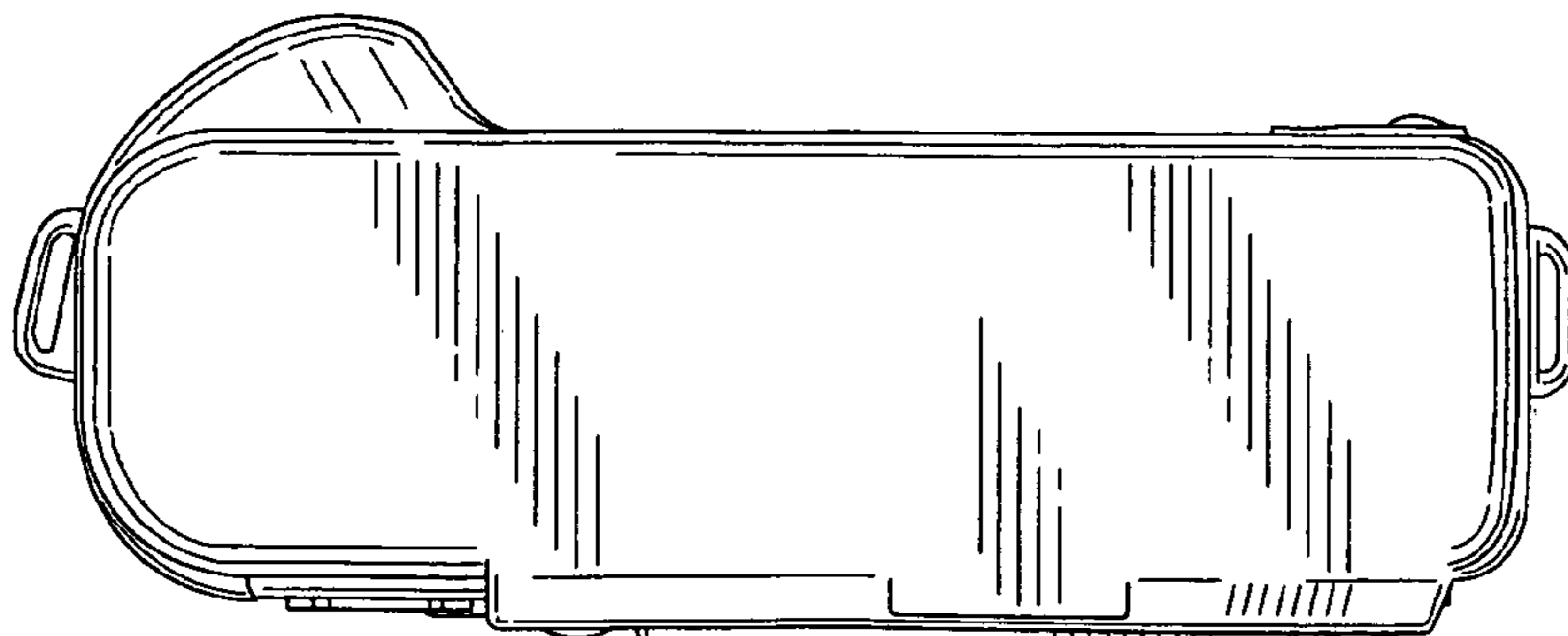


FIG.6



*FIG. 7*

