



US00D558808S

(12) **United States Design Patent**  
**Nakamura**

(10) **Patent No.:** **US D558,808 S**  
(45) **Date of Patent:** **\*\* Jan. 1, 2008**

(54) **DIGITAL STILL CAMERA**

(75) Inventor: **Makoto Nakamura**, Kadoma (JP)

(73) Assignee: **Matsushita Electric Industrial Co., Ltd.**, Osaka (JP)

(\*\*) Term: **14 Years**

(21) Appl. No.: **29/261,741**

(22) Filed: **Jun. 20, 2006**

(30) **Foreign Application Priority Data**

Dec. 20, 2005 (JP) ..... 2005-037384

(51) **LOC (8) Cl.** ..... **16-01**

(52) **U.S. Cl.** ..... **D16/202; D16/206**

(58) **Field of Classification Search** ..... D16/200-206,  
D16/208, 217, 218; 348/373-376; 358/906,  
358/909.1; 396/176, 177, 535-541  
See application file for complete search history.

(56) **References Cited**

**U.S. PATENT DOCUMENTS**

4,945,372	A	*	7/1990	Higuchi et al.	.....	396/61
5,253,003	A	*	10/1993	Fujii et al.	.....	396/176
D390,860	S		2/1998	Kim	.....	D16/217
D446,235	S	*	8/2001	Morishita et al.	.....	D16/217
D471,222	S	*	3/2003	Matsumura	.....	D16/217
D474,793	S	*	5/2003	Yoshida	.....	D16/202
D486,168	S		2/2004	Nakamura	.....	D16/202

D494,202	S		8/2004	Nakamura	.....	D16/202
D511,351	S	*	11/2005	Yatabe	.....	D16/202
D515,606	S	*	2/2006	Nakamura	.....	D16/202
D520,544	S	*	5/2006	Senda	.....	D16/202
D537,857	S	*	3/2007	Nakamura	.....	D16/202

**OTHER PUBLICATIONS**

Matsushita Electric Industrial Co., Ltd., Global Catalog, Panasonic Digital Camera (DMC-FZ4, DMC-FZ5), 2005, 4 pages.

\* cited by examiner

*Primary Examiner*—Adir Aronovich

(74) *Attorney, Agent, or Firm*—Brinks Hofer Gilson & Lione

(57) **CLAIM**

The ornamental design for a digital still camera, as shown and described.

**DESCRIPTION**

FIG. 1 is a top, front and right side perspective view of a digital still camera of the present invention;

FIG. 2 is a front view thereof;

FIG. 3 is a right side view thereof;

FIG. 4 is a left side view thereof;

FIG. 5 is a top view thereof;

FIG. 6 is a bottom view thereof; and,

FIG. 7 is a rear view thereof.

**1 Claim, 4 Drawing Sheets**

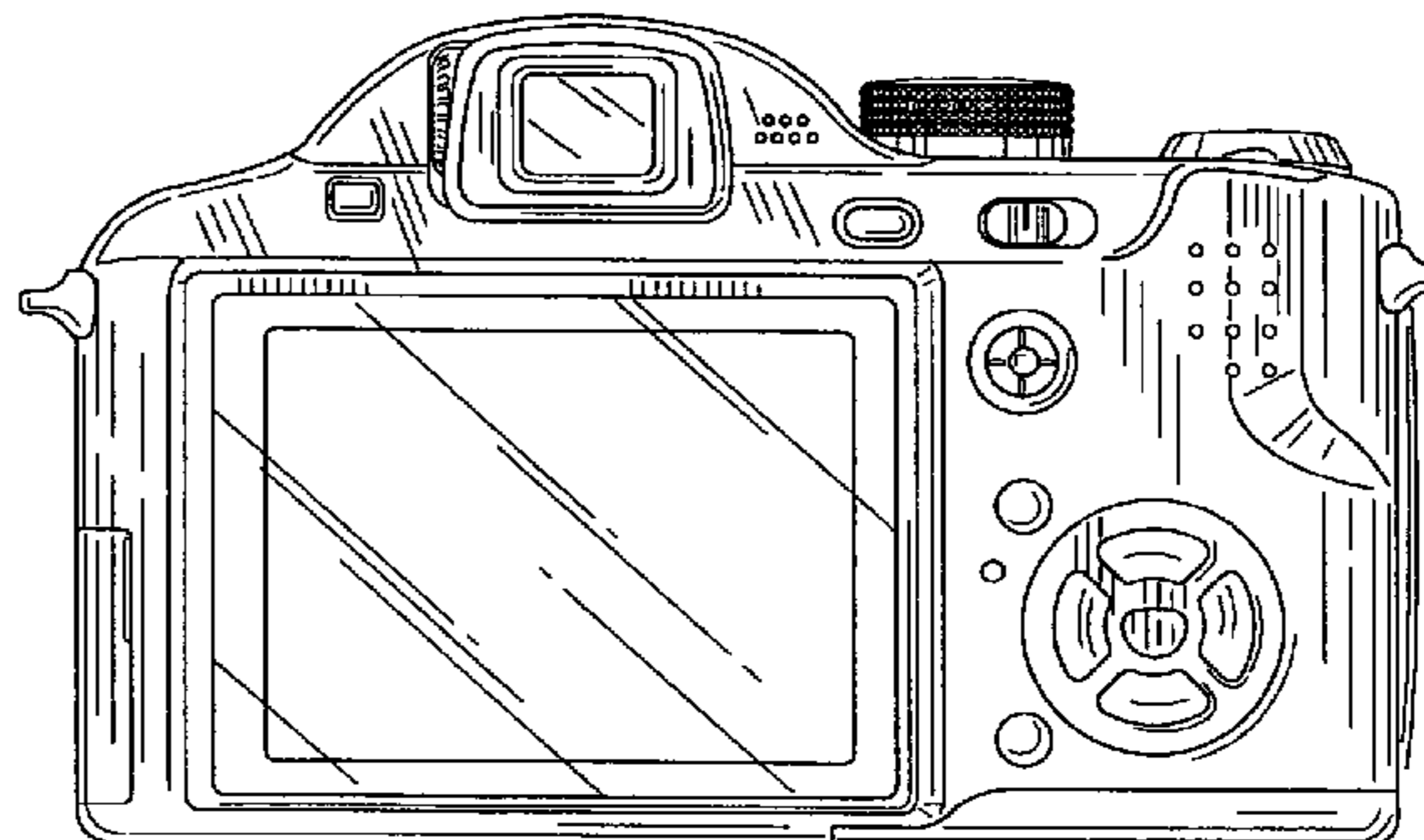
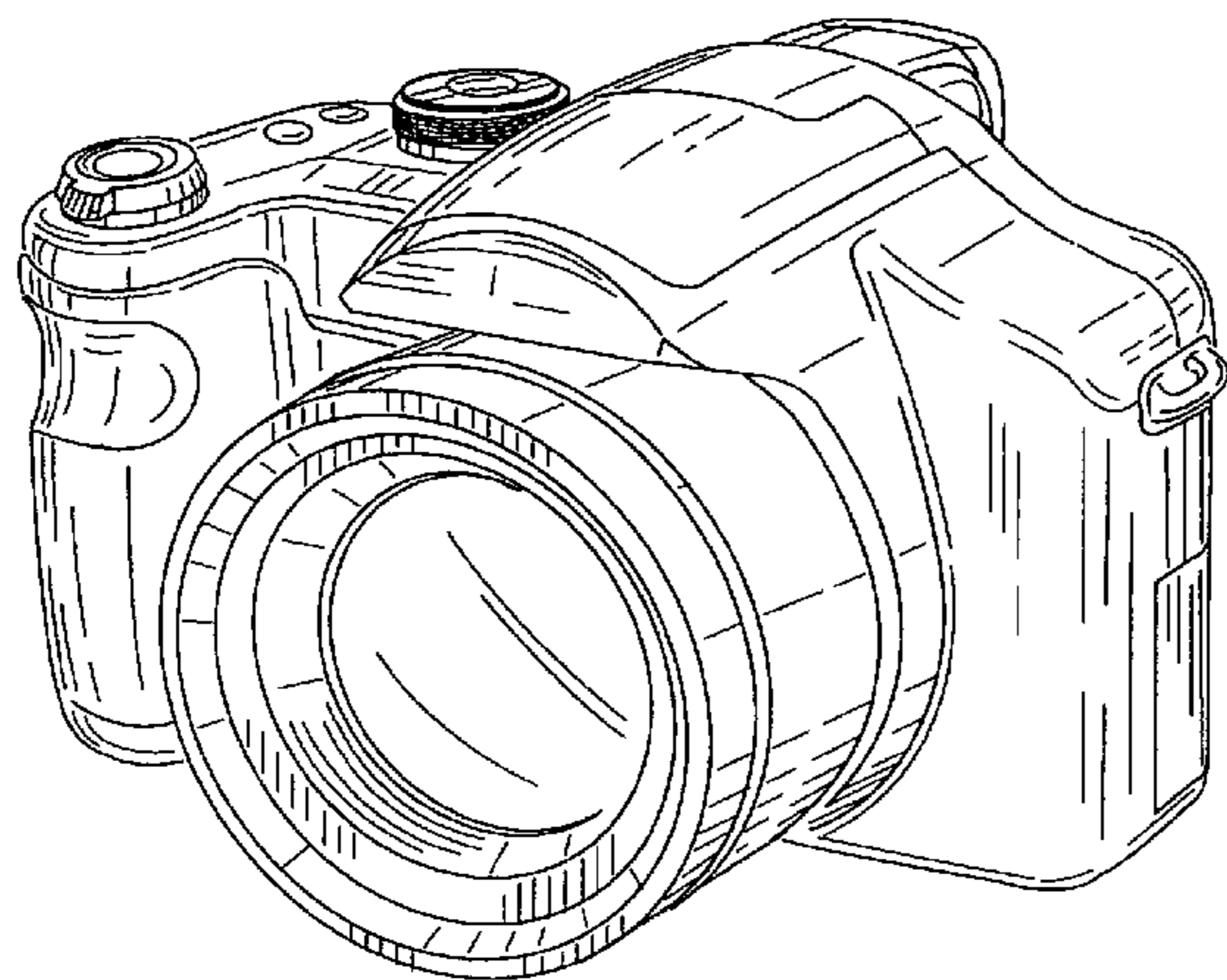


FIG.1

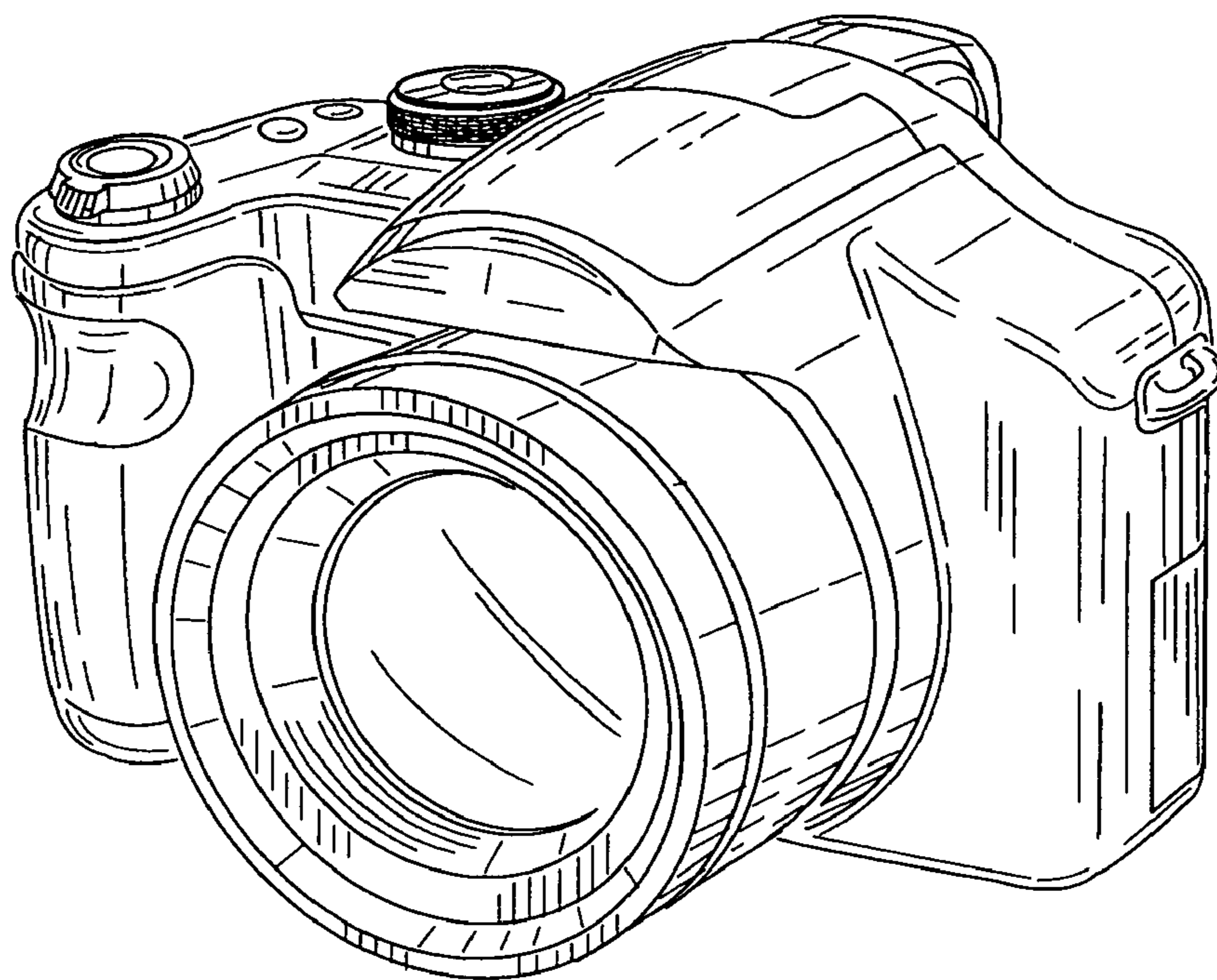
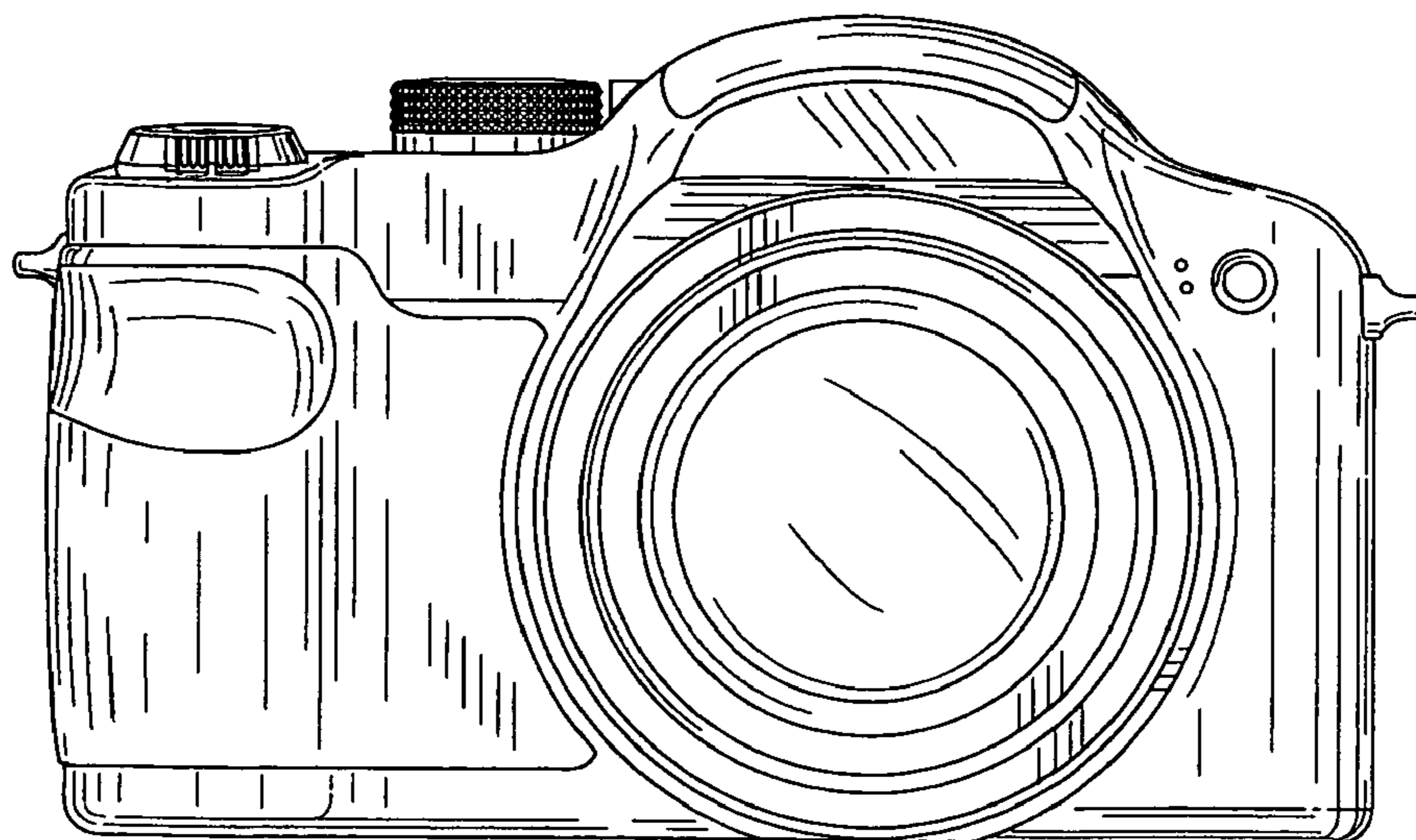
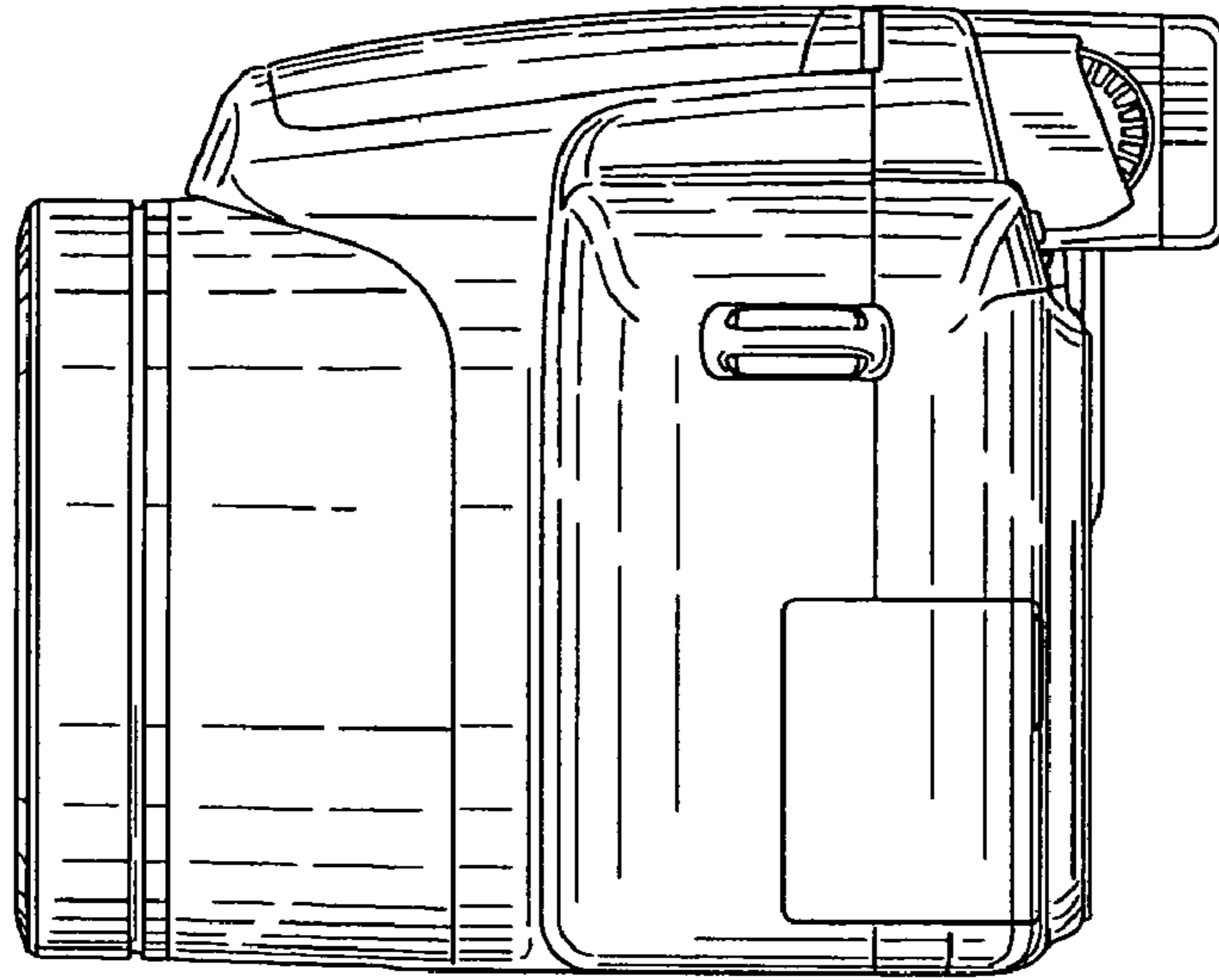


FIG.2



*FIG.3*



*FIG.4*

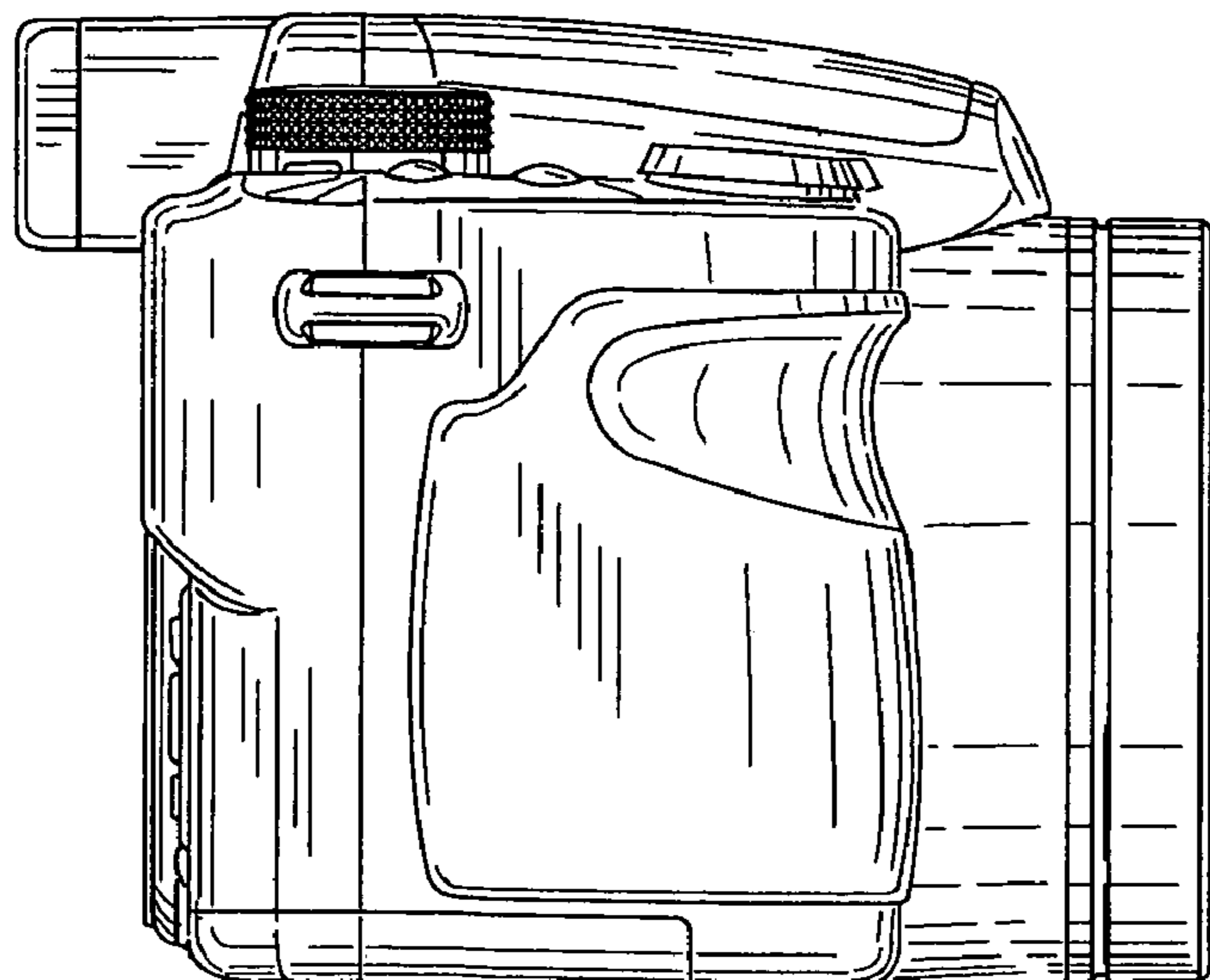


FIG.5

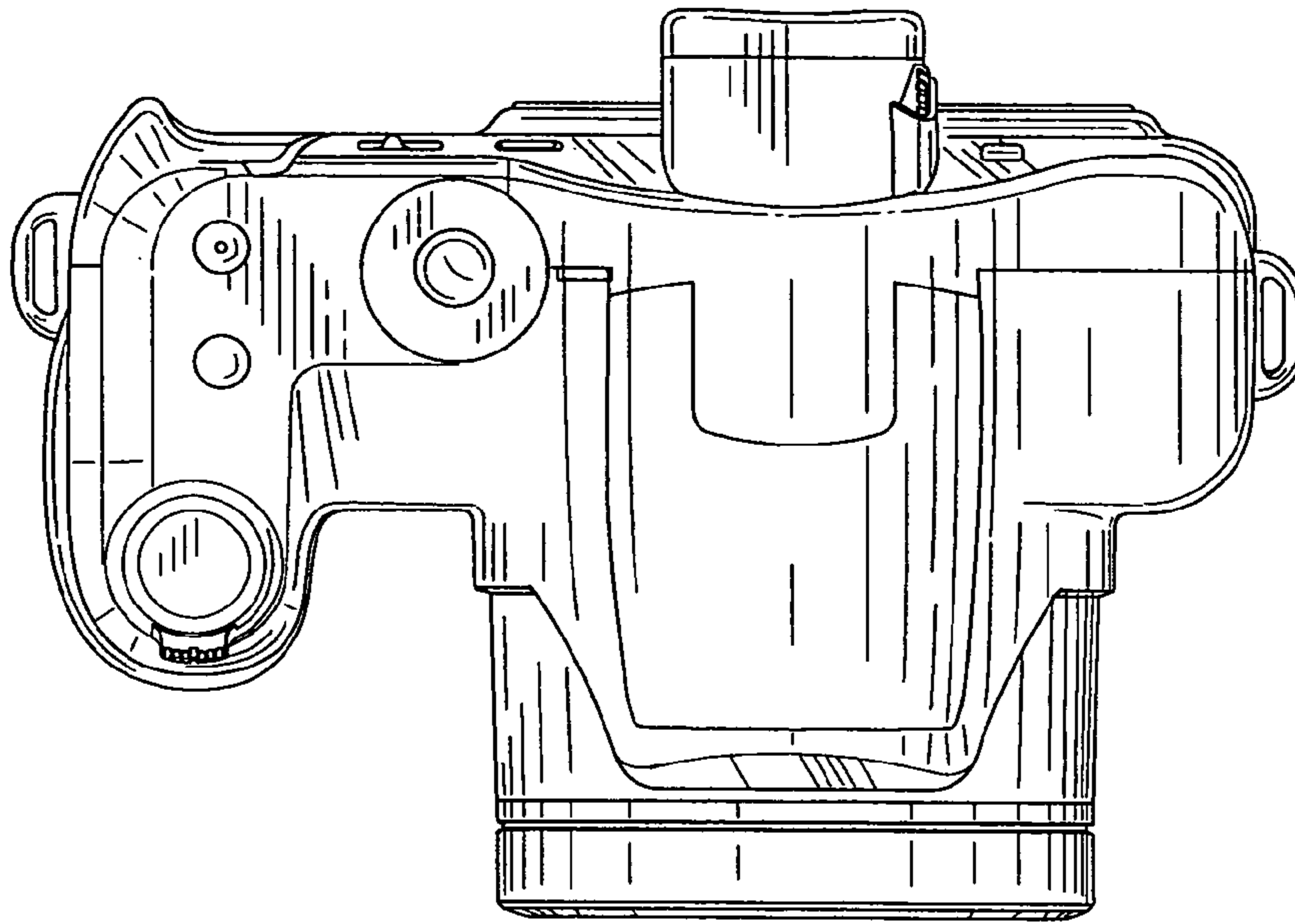


FIG.6

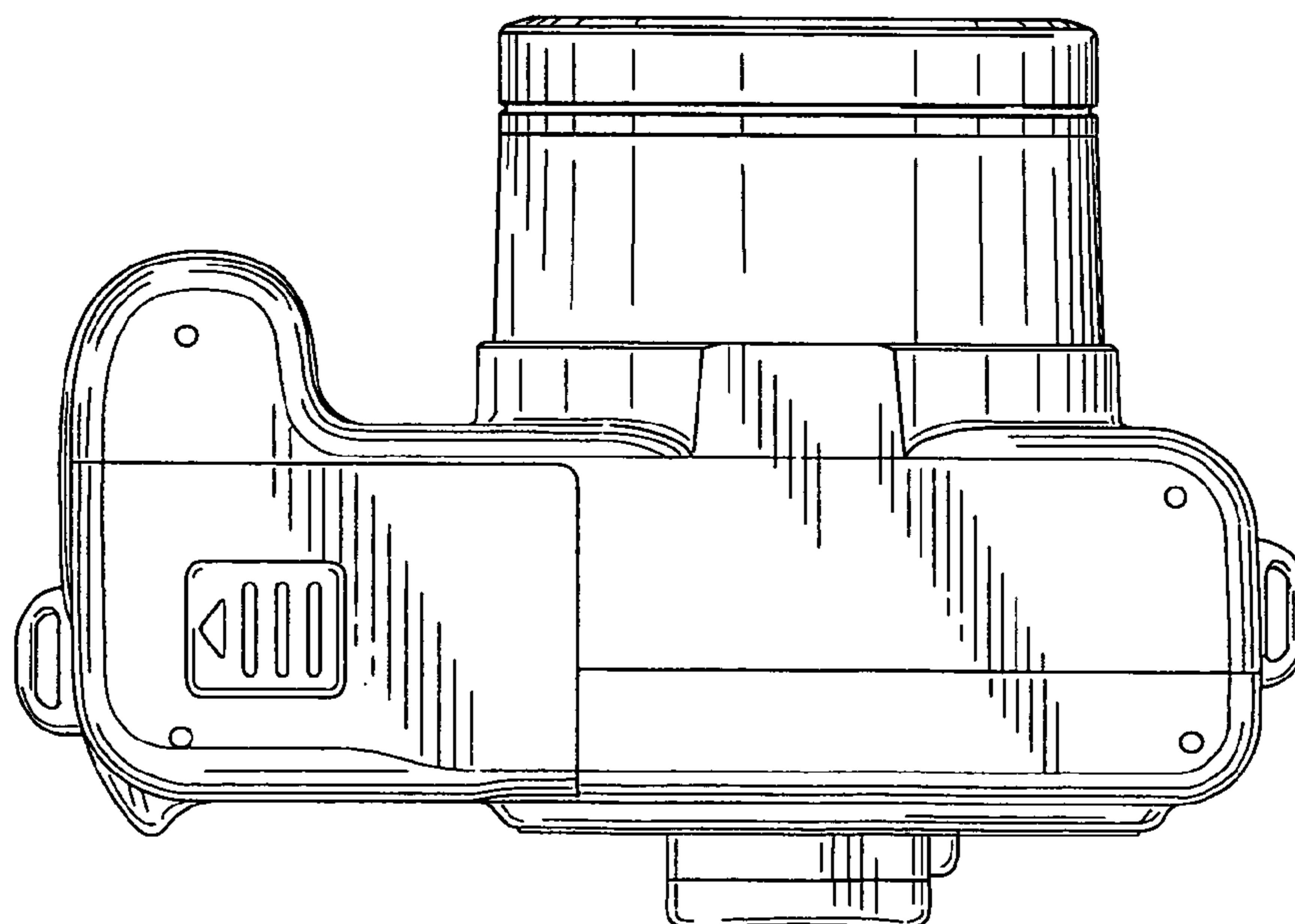


FIG.7

