



US00D558806S

(12) **United States Design Patent**
Nakamura

(10) **Patent No.:** **US D558,806 S**
(45) **Date of Patent:** **** Jan. 1, 2008**

(54) **DIGITAL STILL CAMERA**

(75) Inventor: **Makoto Nakamura**, Kadoma (JP)

(73) Assignee: **Matsushita Electric Industrial Co., Ltd.**, Osaka (JP)

(**) Term: **14 Years**

(21) Appl. No.: **29/261,691**

(22) Filed: **Jun. 19, 2006**

(30) **Foreign Application Priority Data**

Dec. 20, 2005 (JP) 2005-037376

(51) **LOC (8) Cl.** **16-01**

(52) **U.S. Cl.** **D16/202**

(58) **Field of Classification Search** D16/200–206,
D16/208, 209, 218, 219; 348/373–376; 358/909.1;
396/535–541

See application file for complete search history.

(56) **References Cited**

U.S. PATENT DOCUMENTS

D431,583 S	10/2000	Matsuda	D16/202
D441,001 S	4/2001	Naito	D16/218
D456,430 S	4/2002	Kobayashi et al.	D16/202
D488,498 S *	4/2004	Miyashita	D16/219
D496,380 S *	9/2004	Isomoto	D16/202
D502,479 S *	3/2005	Nishizawa et al.	D16/202
D507,586 S *	7/2005	Nakamura	D16/202

D516,599 S *	3/2006	Nakamura	D16/202
D525,638 S *	7/2006	Nakamura	D16/218
D533,574 S *	12/2006	Hamamura	D16/202
D537,460 S *	2/2007	Nakamura et al.	D16/202

OTHER PUBLICATIONS

Matsushita Electric Industrial Co., Ltd., Global Catalog, Panasonic Digital Camera (DMC-LZ1, DMC-LZ2), 2005, 4 pages.

* cited by examiner

Primary Examiner—Adir Aronovich

(74) *Attorney, Agent, or Firm*—Brinks Hofer Gilson & Lione

(57) **CLAIM**

I claim the ornamental design for a digital still camera, as shown and described.

DESCRIPTION

FIG. 1 is a top, front and right side perspective view of a digital still camera of the present invention;

FIG. 2 is a front view thereof;

FIG. 3 is a top view thereof;

FIG. 4 is a left side view thereof;

FIG. 5 is a right side view thereof;

FIG. 6 is a bottom view thereof; and,

FIG. 7 is a rear view thereof.

1 Claim, 3 Drawing Sheets

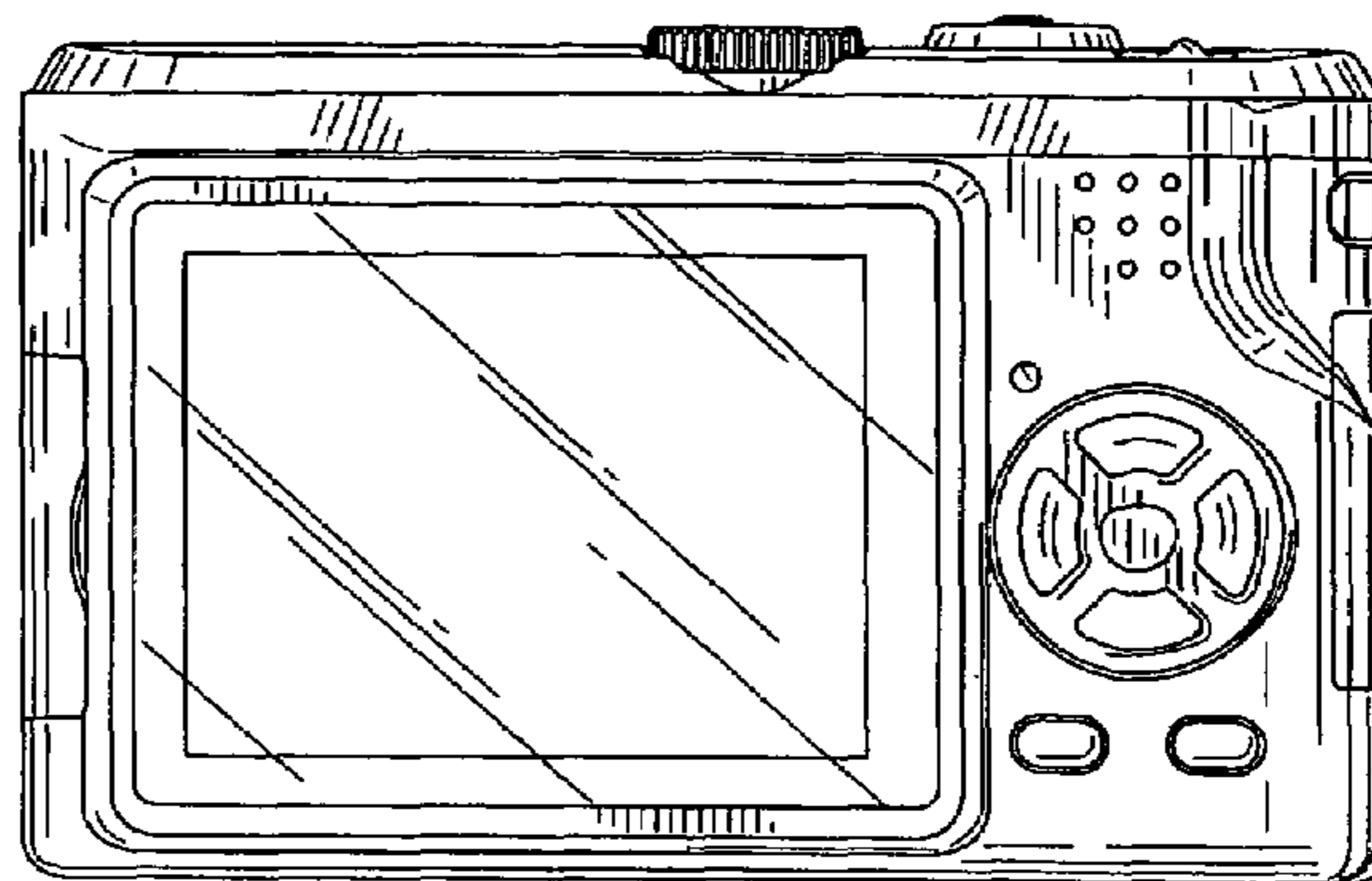
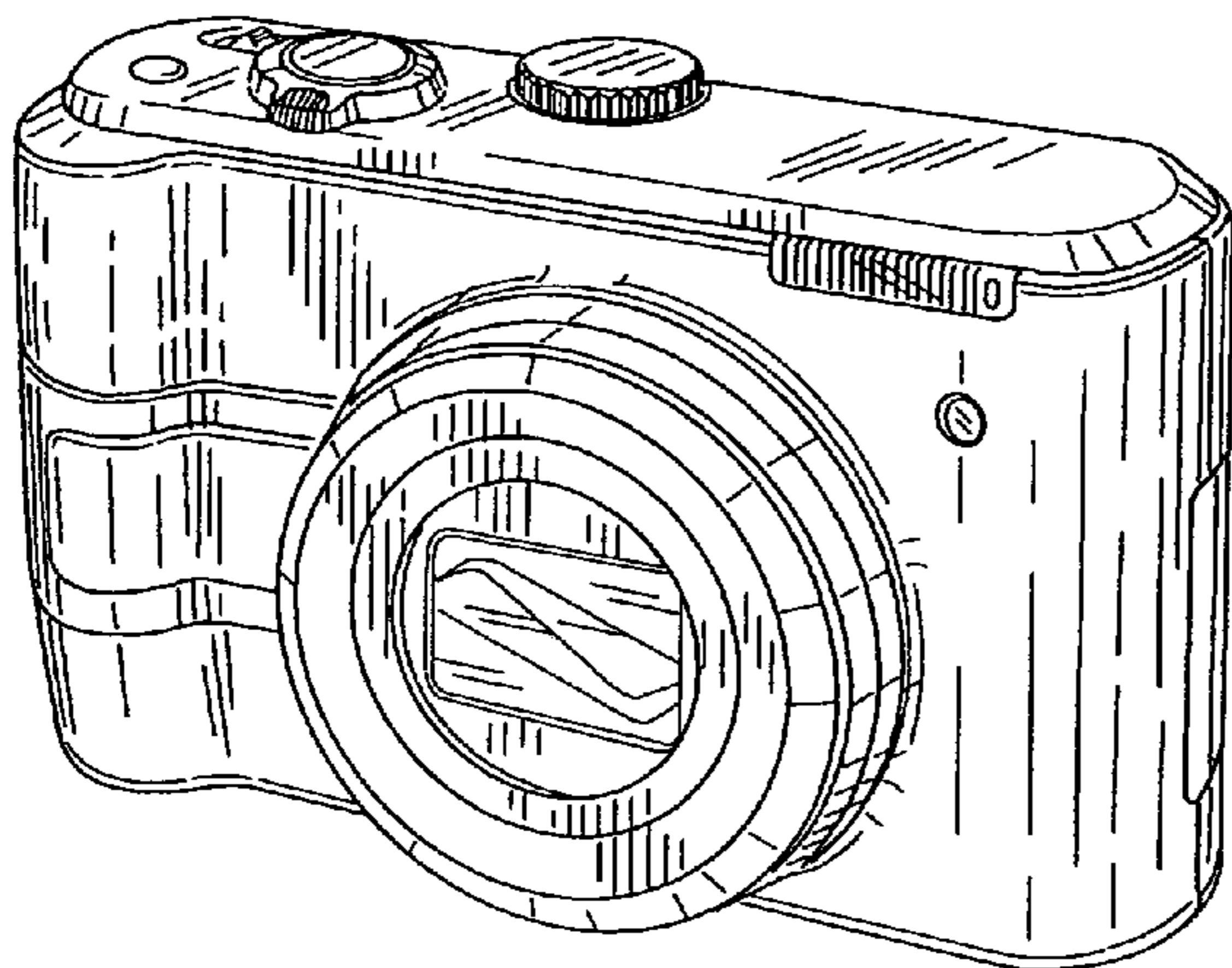


FIG. 1

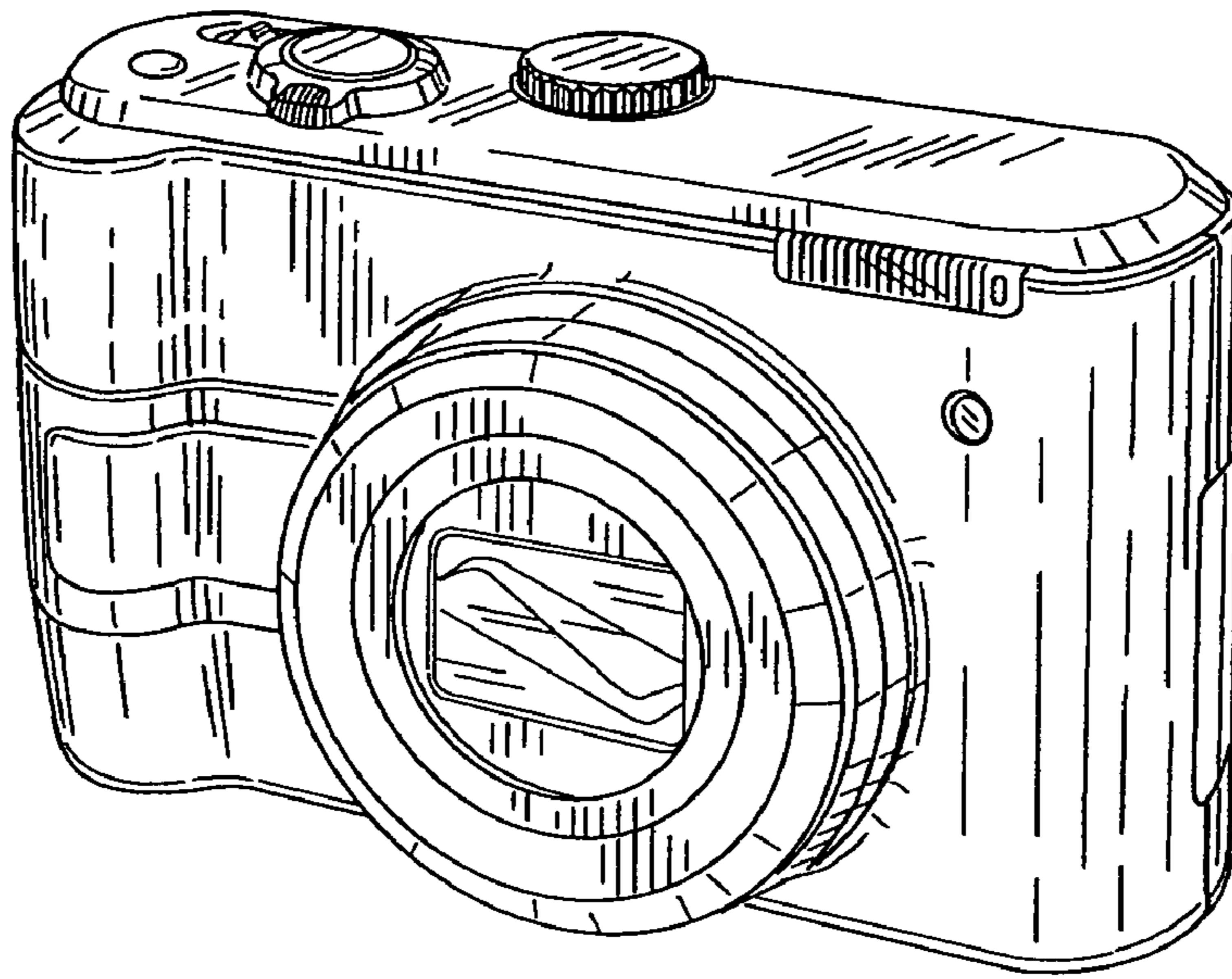


FIG. 2

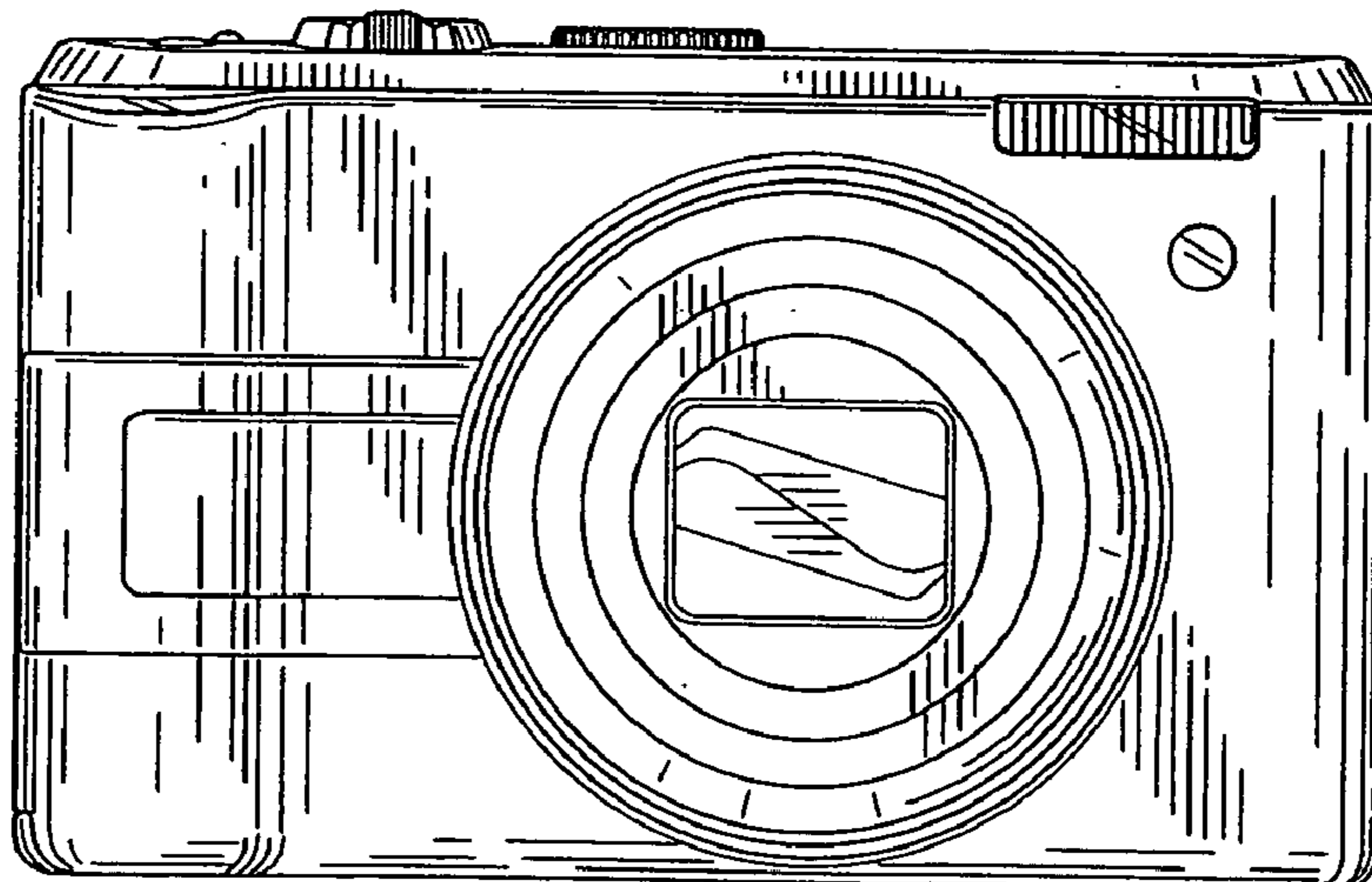


FIG.3

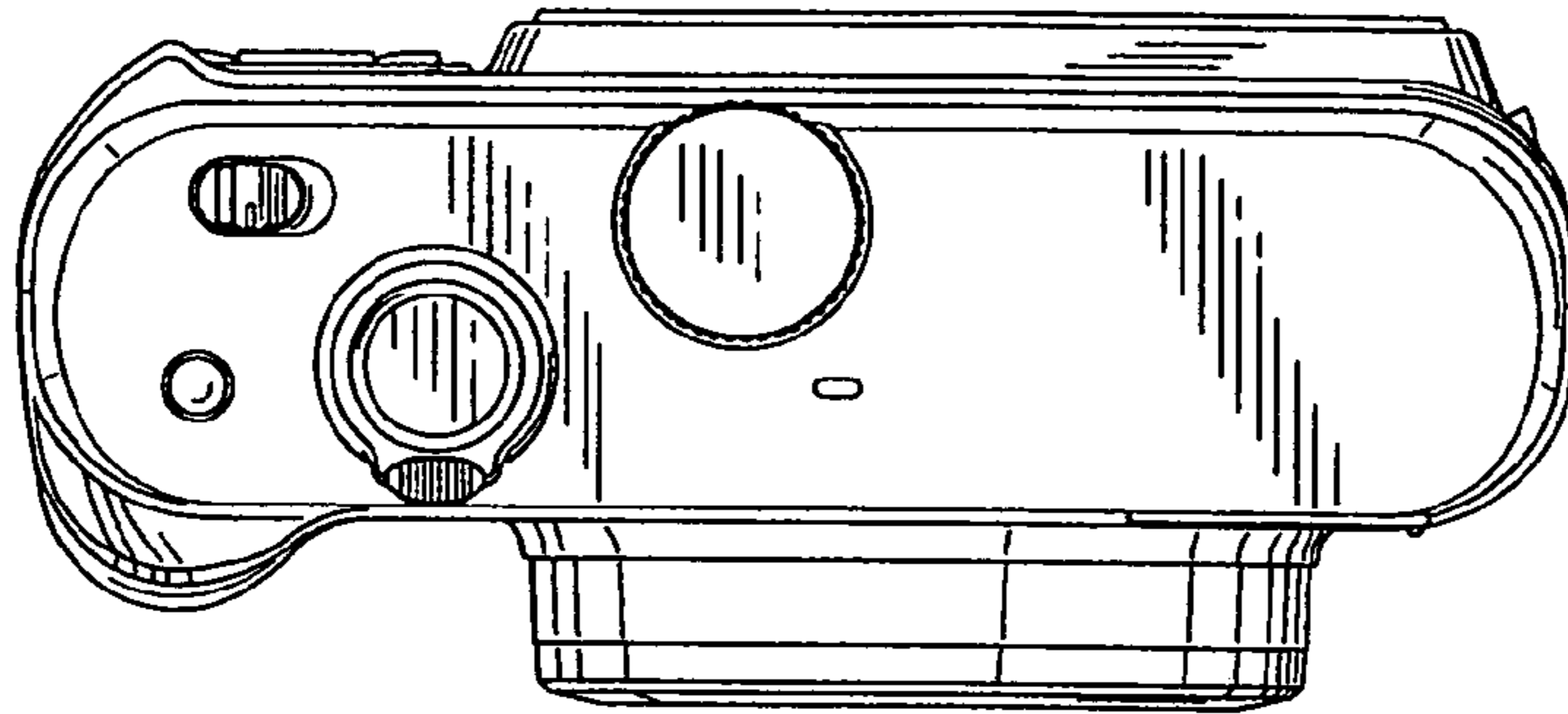


FIG.4

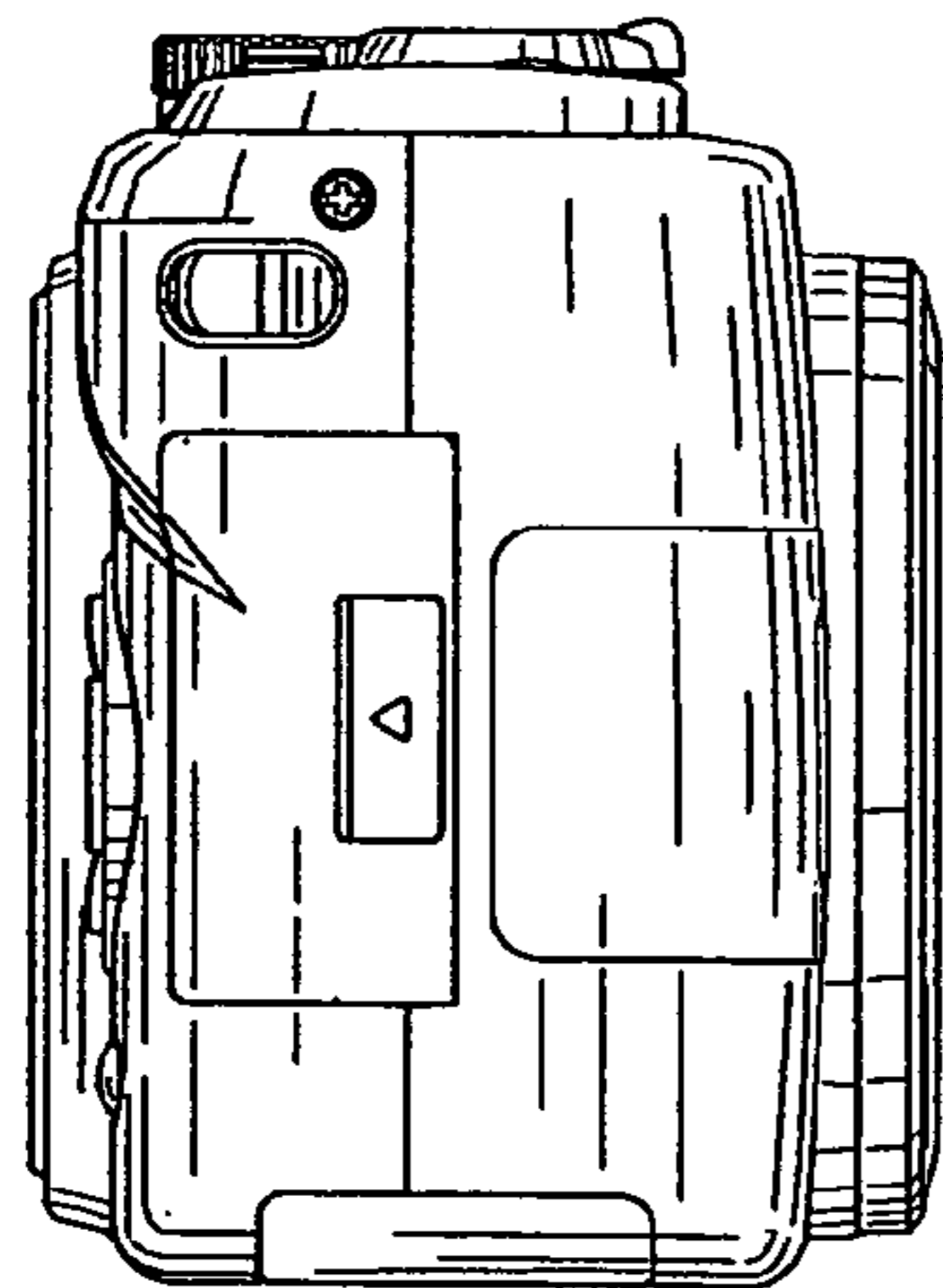


FIG.5

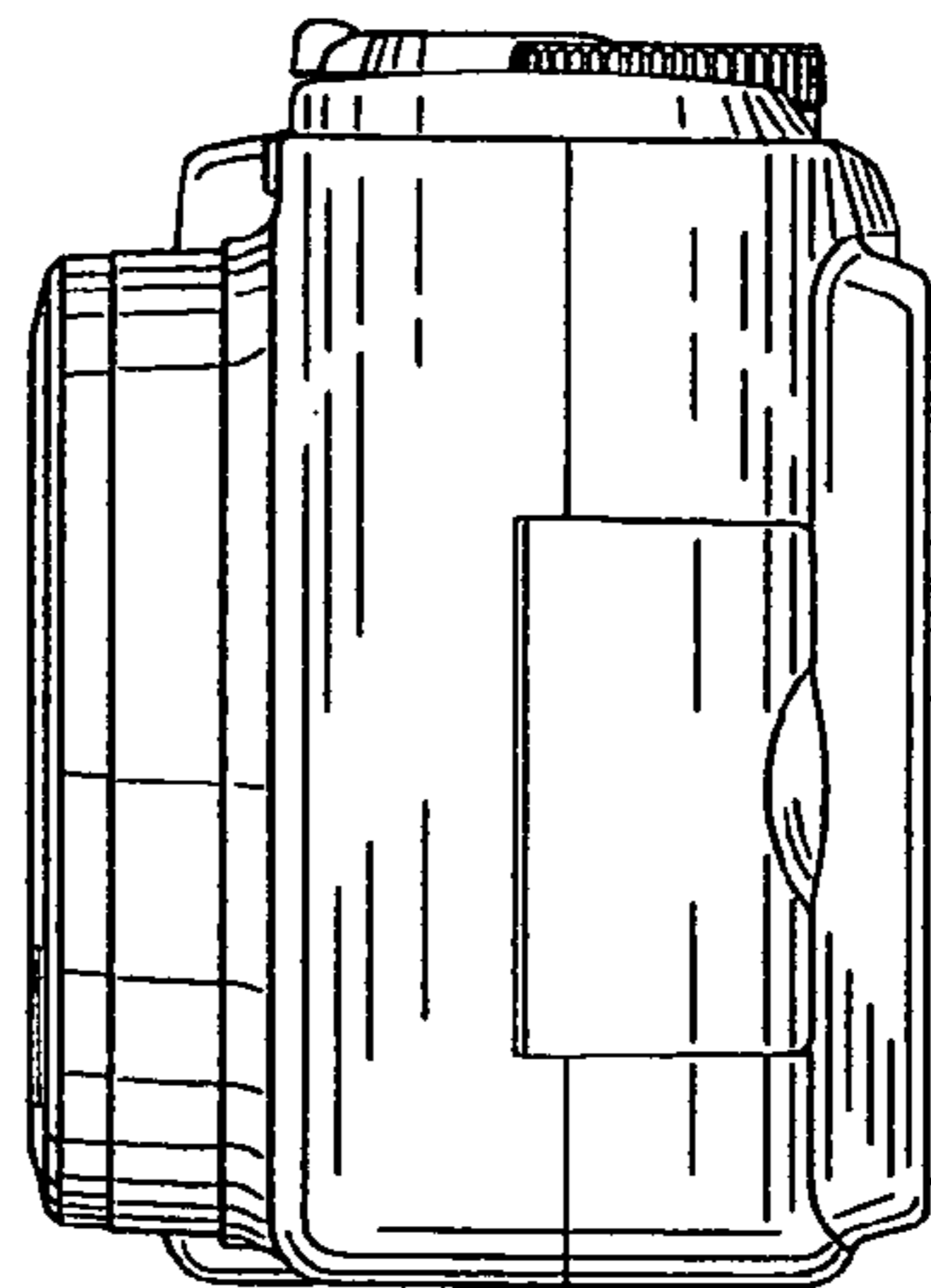


FIG.6

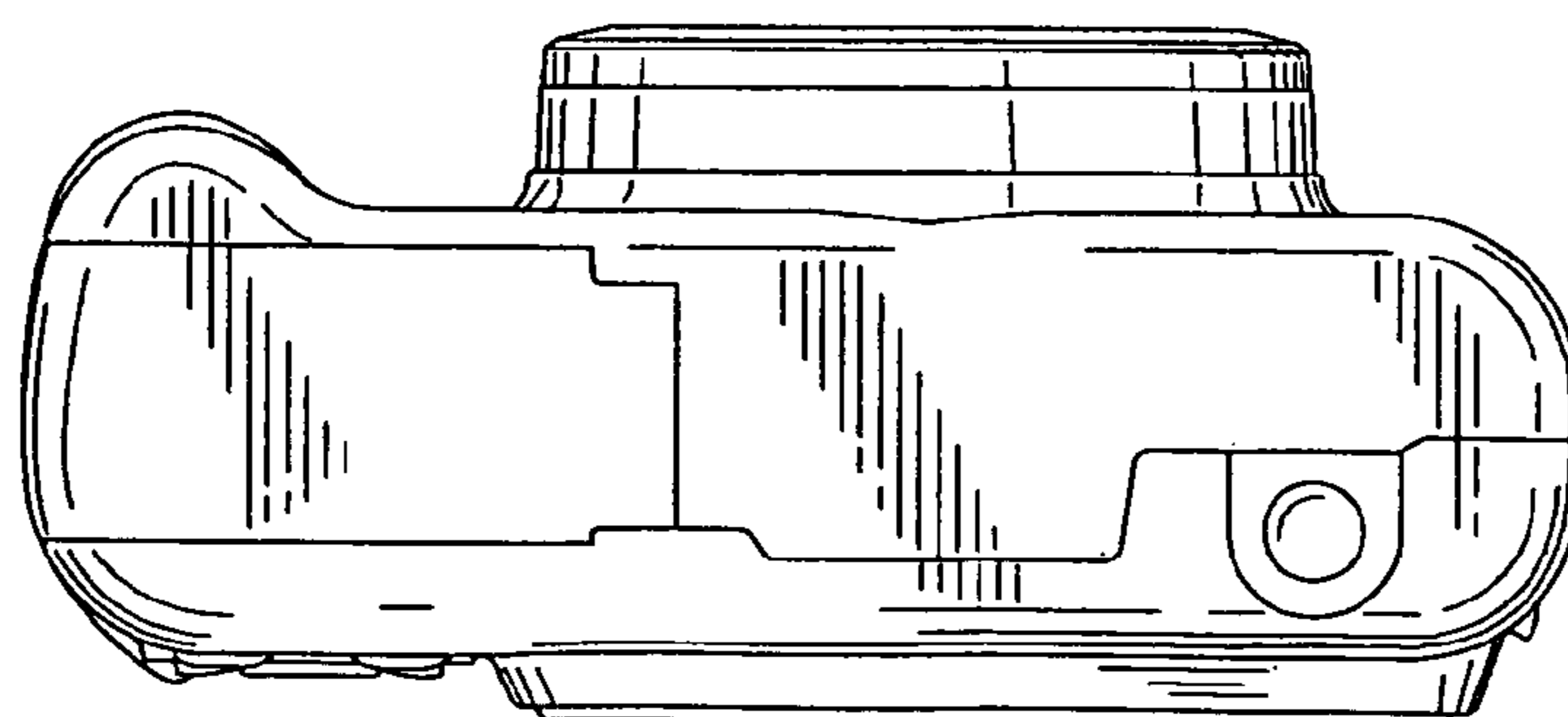


FIG. 7

