



US00D558805S

(12) **United States Design Patent**  
**Sadatsuki**

(10) **Patent No.:** **US D558,805 S**

(45) **Date of Patent:** **\*\* Jan. 1, 2008**

(54) **VIDEO CAMERA**

(75) Inventor: **Koichi Sadatsuki**, Tokyo (JP)

(73) Assignee: **Sony Corporation**, Tokyo (JP)

(\*\*) Term: **14 Years**

(21) Appl. No.: **29/233,023**

(22) Filed: **Jun. 28, 2005**

(30) **Foreign Application Priority Data**

Dec. 28, 2004 (JP) ..... D2004-040411

(51) **LOC (8) Cl.** ..... **16-01**

(52) **U.S. Cl.** ..... **D16/202; D16/203**

(58) **Field of Classification Search** ..... D16/200-206,  
D16/213, 232, 219; 348/373-376; 396/535-541,  
396/427; 358/906, 909.1

See application file for complete search history.

(56) **References Cited**

**U.S. PATENT DOCUMENTS**

D407,424 S	3/1999	Nakamura	
D418,853 S	1/2000	Kubota	
D456,434 S *	4/2002	Yamazaki	D16/202
D463,469 S *	9/2002	Kawase	D16/202
D487,763 S	3/2004	Miyashita	
D507,290 S *	7/2005	Nishiwaki	D16/202
D524,841 S *	7/2006	Ikenaga	D16/219

D525,637 S *	7/2006	Suzuki et al.	D16/202
D528,575 S *	9/2006	Suzuki et al.	D16/202
D528,576 S *	9/2006	Chung et al.	D16/202

\* cited by examiner

*Primary Examiner*—Ian Simmons

*Assistant Examiner*—Wan Laymon

(74) *Attorney, Agent, or Firm*—Rader, Fishman & Grauer, PLLC

(57) **CLAIM**

The ornamental design for a video camera, as shown and described.

**DESCRIPTION**

FIG. 1 is a perspective view of a video camera showing my new design;

FIG. 2 is a front elevational view thereof;

FIG. 3 is a rear elevational view thereof;

FIG. 4 is a left side elevational view thereof;

FIG. 5 is a right side elevational view thereof;

FIG. 6 is a top plan view thereof; and,

FIG. 7 is a bottom plan view thereof.

The broken lines in Figures are for illustrative purposes only and form no part of the claimed design.

**1 Claim, 7 Drawing Sheets**

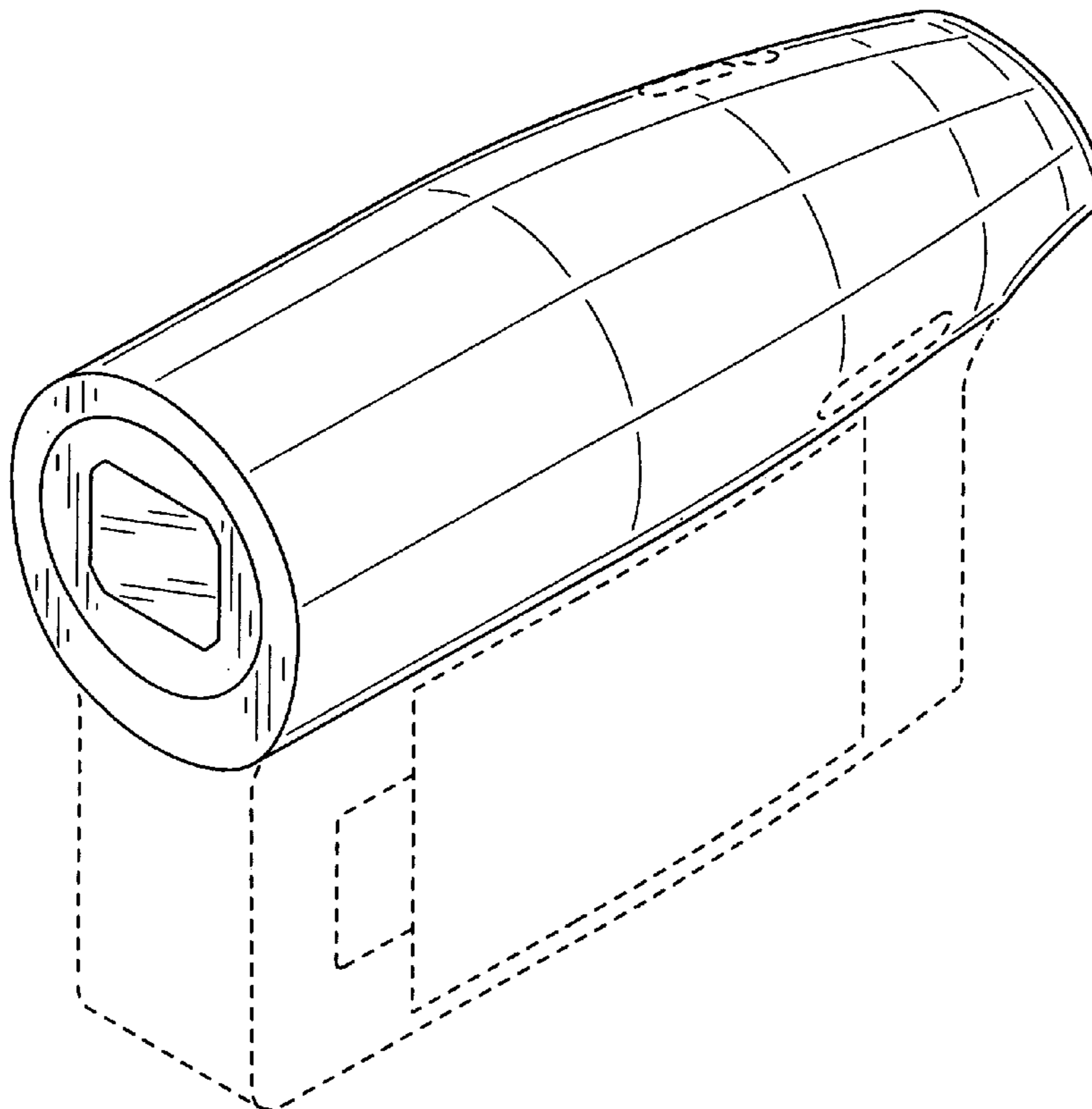


Fig. 1

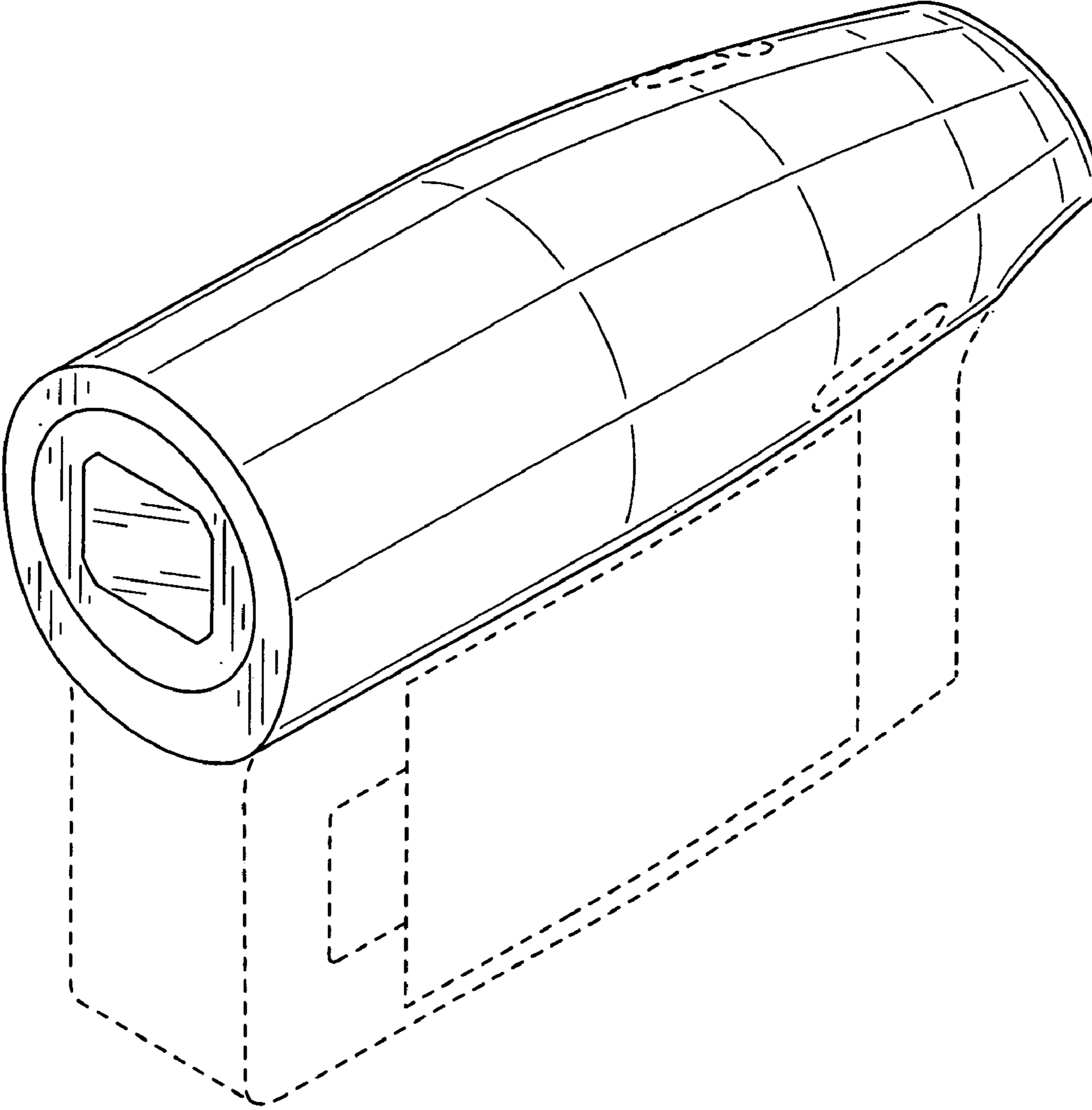


Fig.2

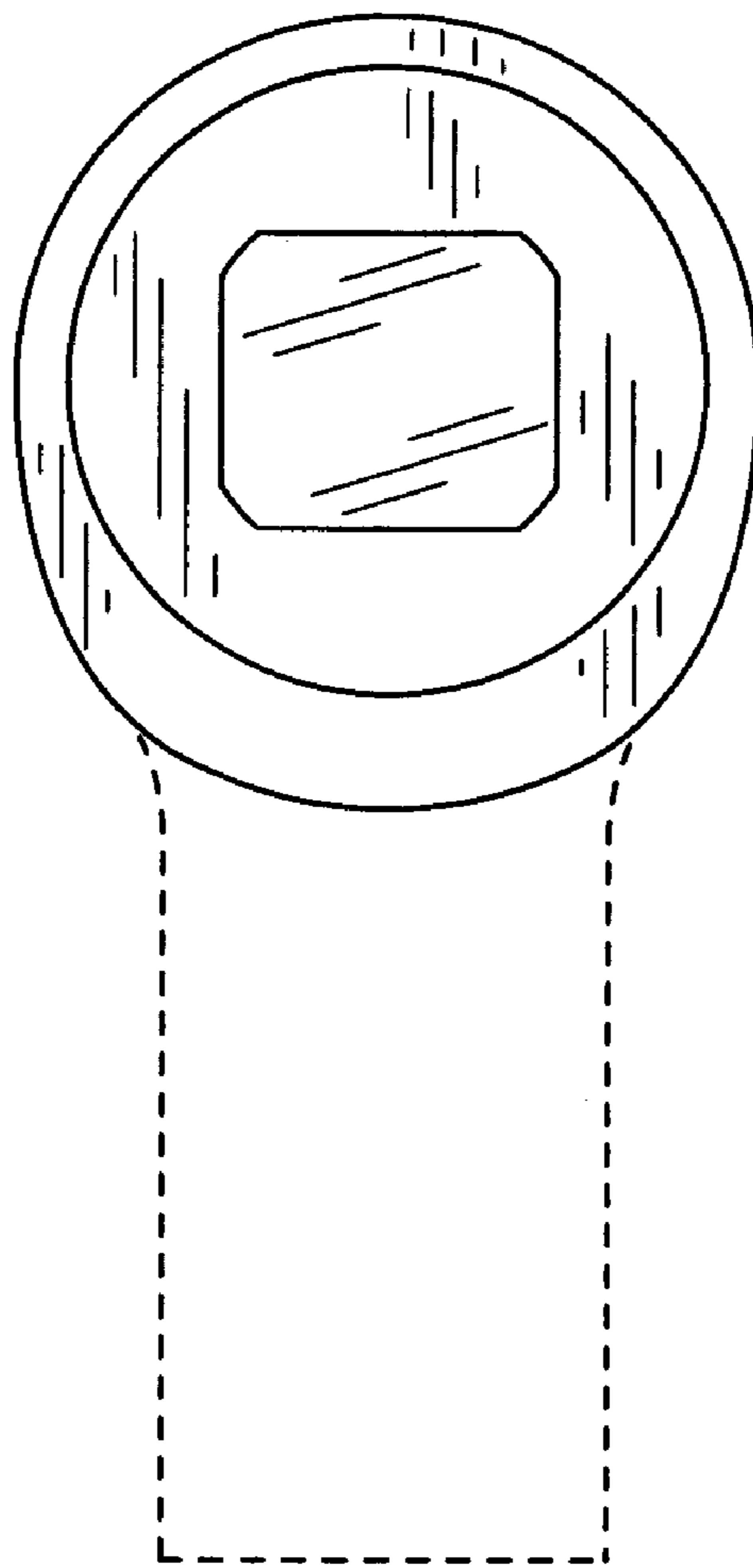


Fig.3

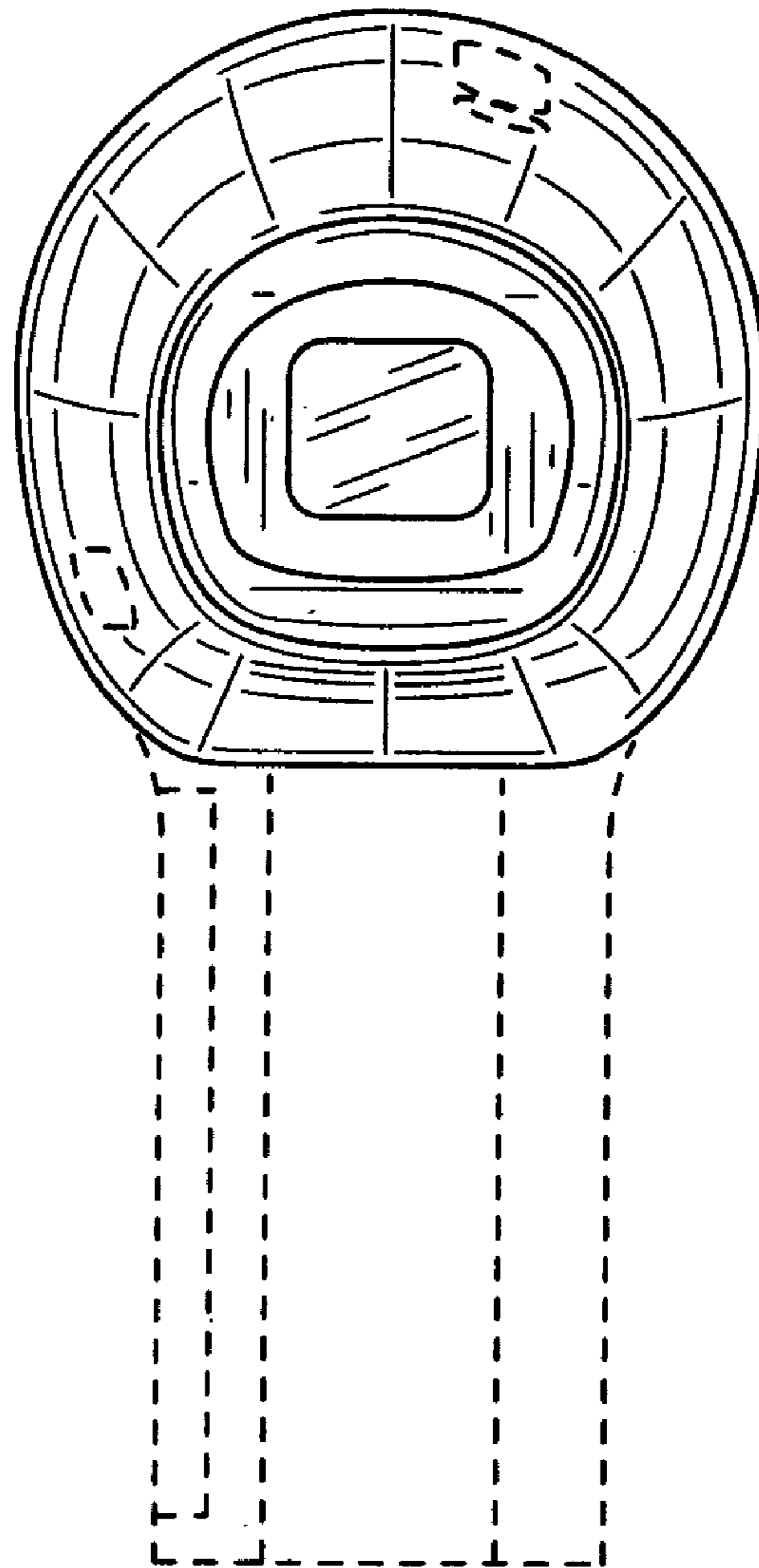


Fig.4

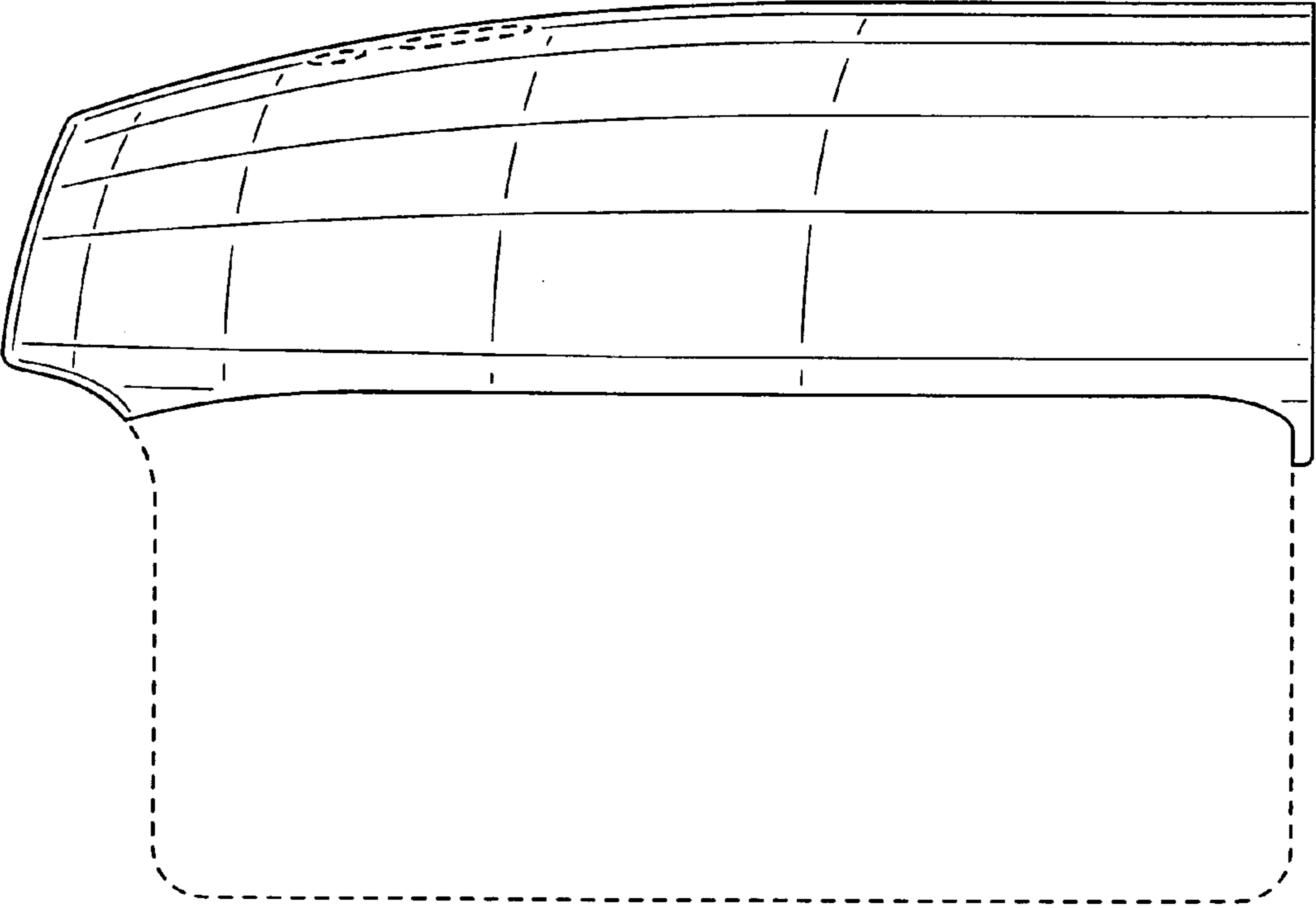


Fig.5

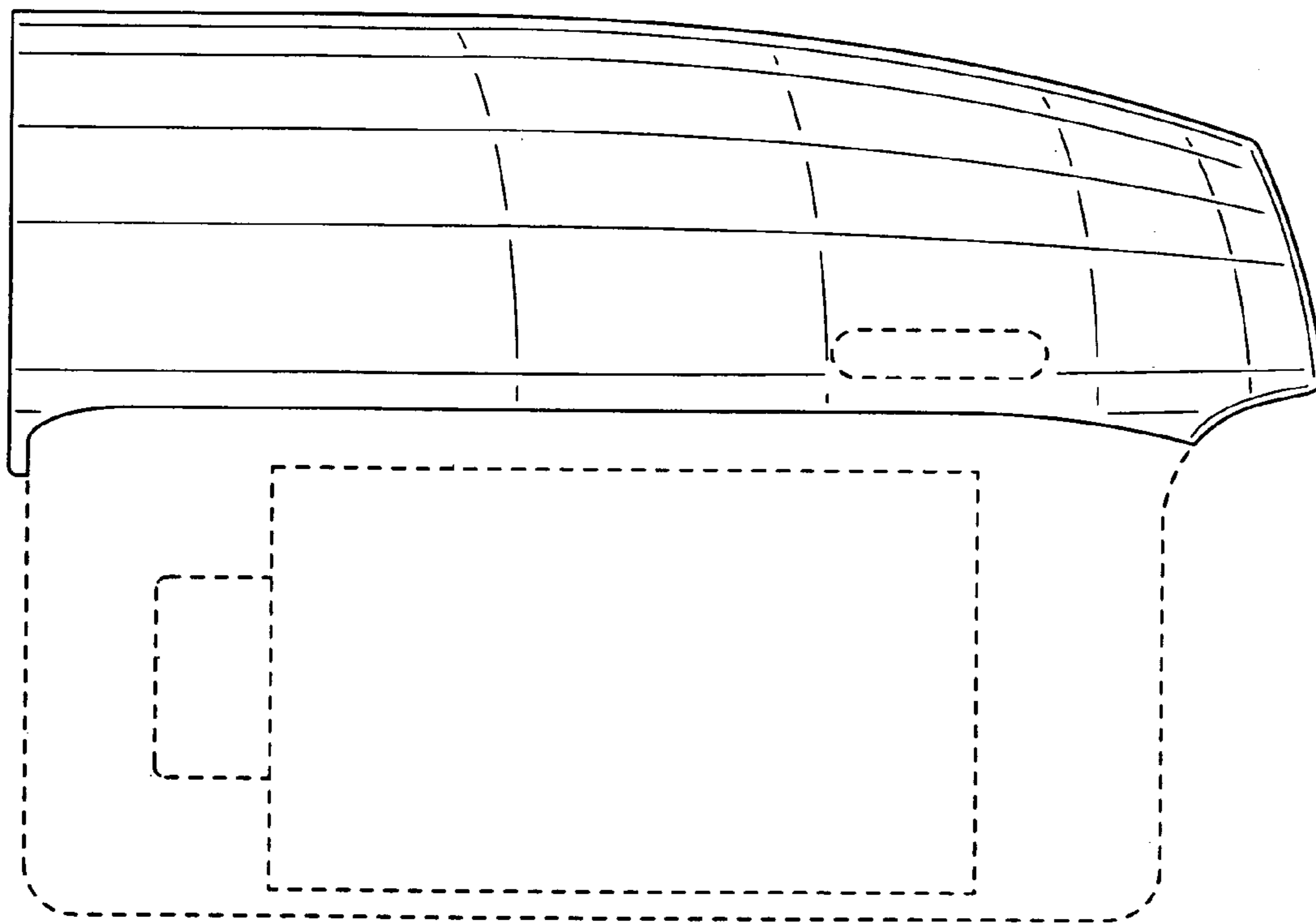


Fig.6

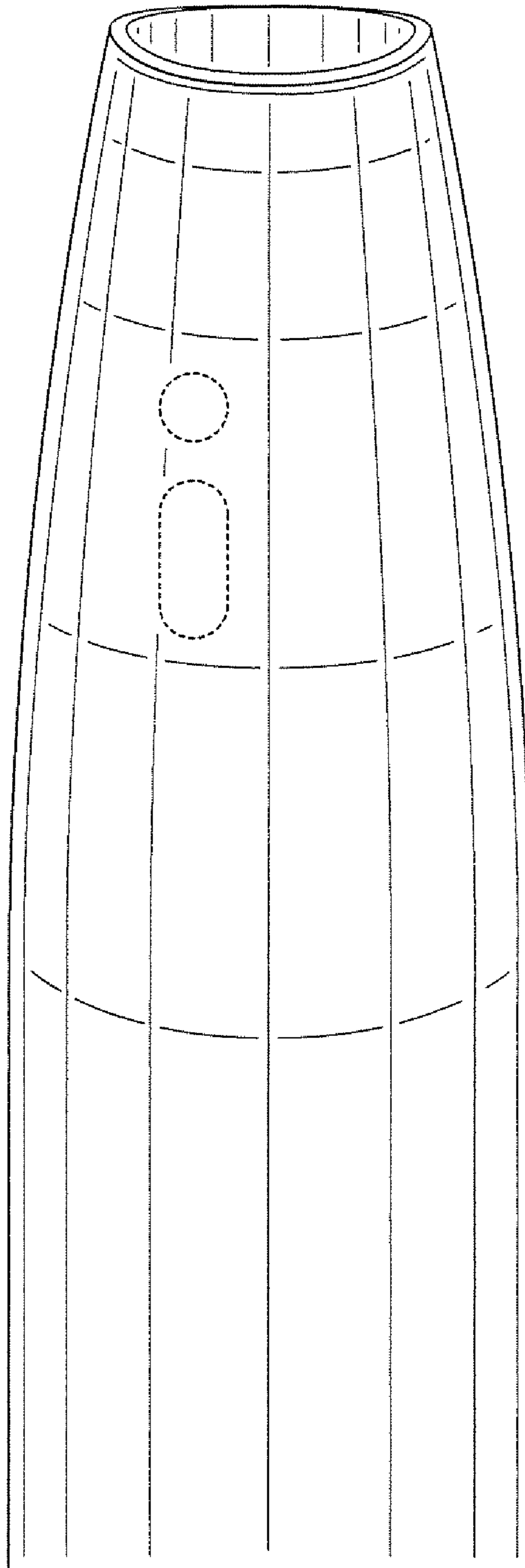


Fig.7

