



US00D558804S

(12) **United States Design Patent**
Tsukamoto

(10) **Patent No.:** **US D558,804 S**
(45) **Date of Patent:** **** Jan. 1, 2008**

(54) **MICROSCOPE**

(75) Inventor: **Chihiro Tsukamoto**, Kawasaki (JP)

(73) Assignee: **Nikon Corporation**, Tokyo (JP)

(**) Term: **14 Years**

(21) Appl. No.: **29/259,131**

(22) Filed: **May 3, 2006**

(30) **Foreign Application Priority Data**

Dec. 26, 2005 (JP) 2005-037959

(51) **LOC (8) Cl.** **16-01**

(52) **U.S. Cl.** **D16/131**

(58) **Field of Classification Search** D16/130,
D16/131, 134; 359/376, 377, 381, 383, 368,
359/389, 390, 392, 741, 801, 821; 396/326,
396/432

See application file for complete search history.

(56) **References Cited**

U.S. PATENT DOCUMENTS

2,901,942	A *	9/1959	Tackaberry	359/383
2,967,456	A *	1/1961	Maier	396/326
3,512,860	A *	5/1970	Hansen et al.	359/377
3,637,283	A *	1/1972	Tasaki et al.	359/376
D391,587	S *	3/1998	Hashimoto	D16/131
5,930,034	A *	7/1999	Fukumoto	359/381
D423,029	S *	4/2000	Kawahata	D16/131
D423,536	S *	4/2000	Hashimoto	D16/131
D439,258	S *	3/2001	Kawahata	D16/131
6,337,766	B1 *	1/2002	Fujino	359/383

D459,744 S * 7/2002 Apotheloz D16/131

FOREIGN PATENT DOCUMENTS

JP S 1075187 6/2000

* cited by examiner

Primary Examiner—Paula A. Greene

(74) *Attorney, Agent, or Firm*—Oliff & Berridge, PLC

(57) **CLAIM**

The ornamental design for a microscope, as shown and described.

DESCRIPTION

FIG. 1 is a front perspective view of a microscope showing my new design;

FIG. 2 is a front elevational view thereof;

FIG. 3 is a rear elevational view thereof;

FIG. 4 is a top plan view thereof;

FIG. 5 is a bottom plan view thereof;

FIG. 6 is a left side view thereof;

FIG. 7 is a right side view thereof;

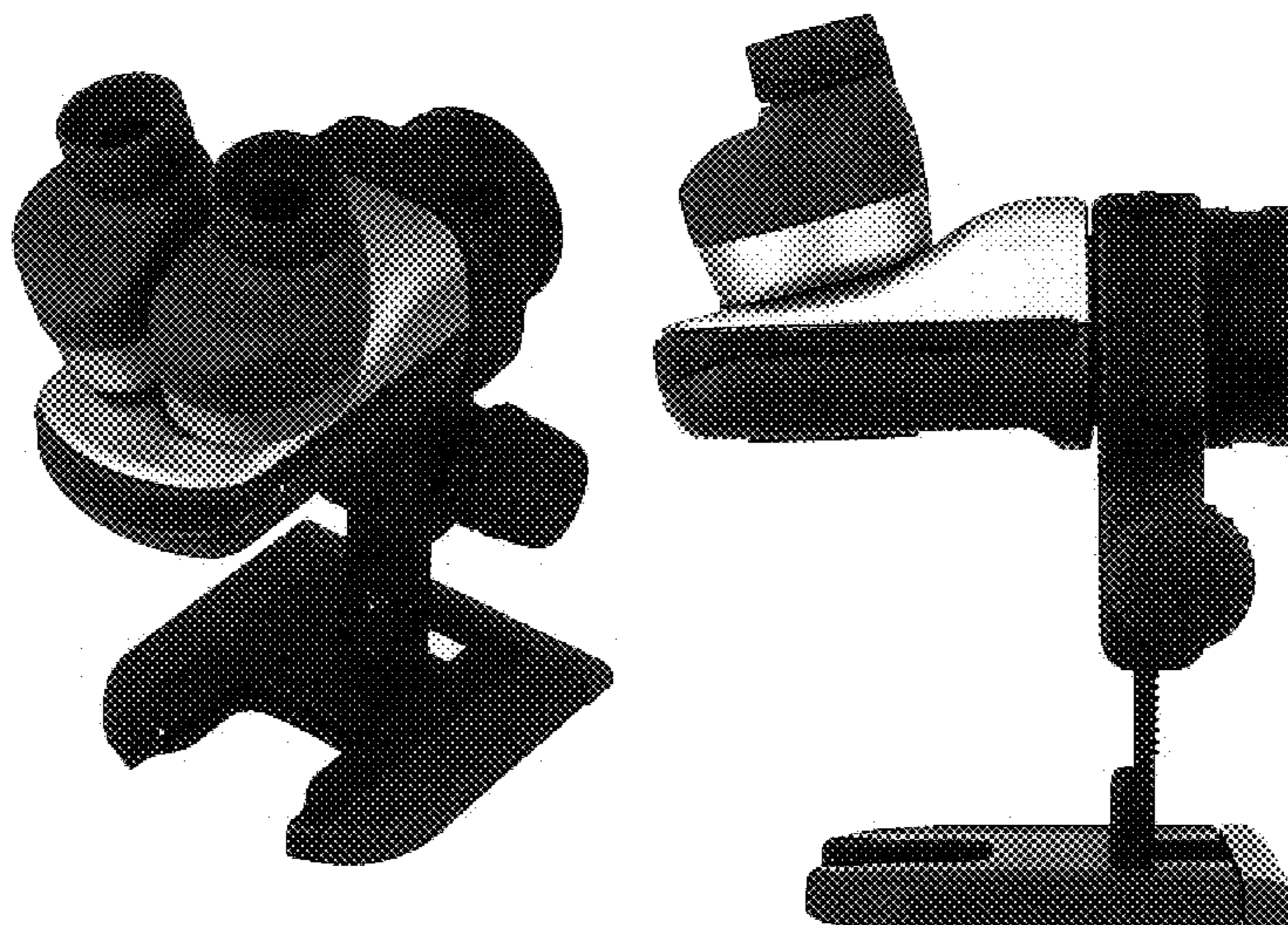
FIG. 8 is a front perspective view of one of different use position thereof;

FIG. 9 is a front perspective view of which eyepiece turned downward position thereof;

FIG. 10 is a front perspective view of fold position thereof; and,

FIG. 11 is a front perspective view of another different use position.

1 Claim, 11 Drawing Sheets



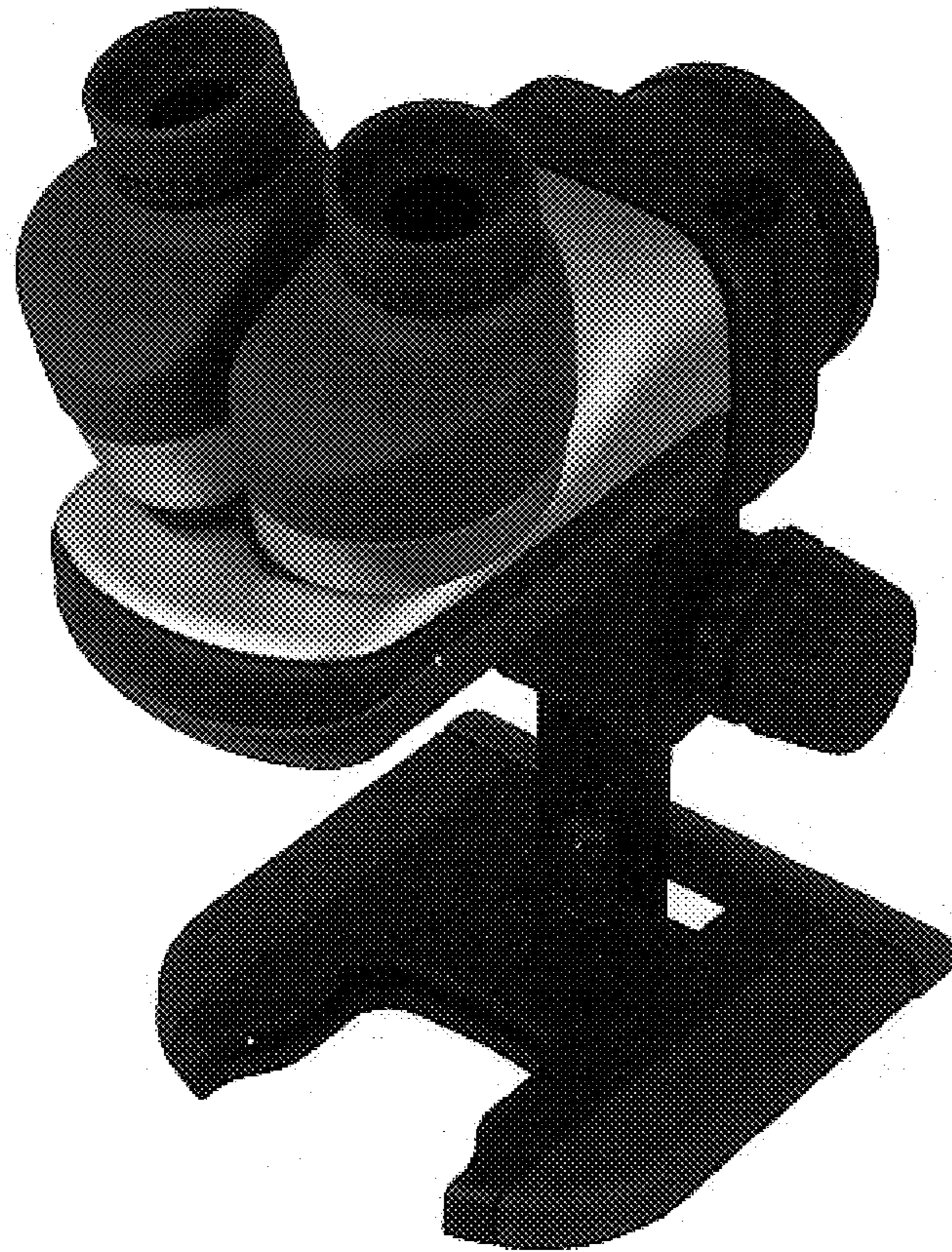


FIG . 1

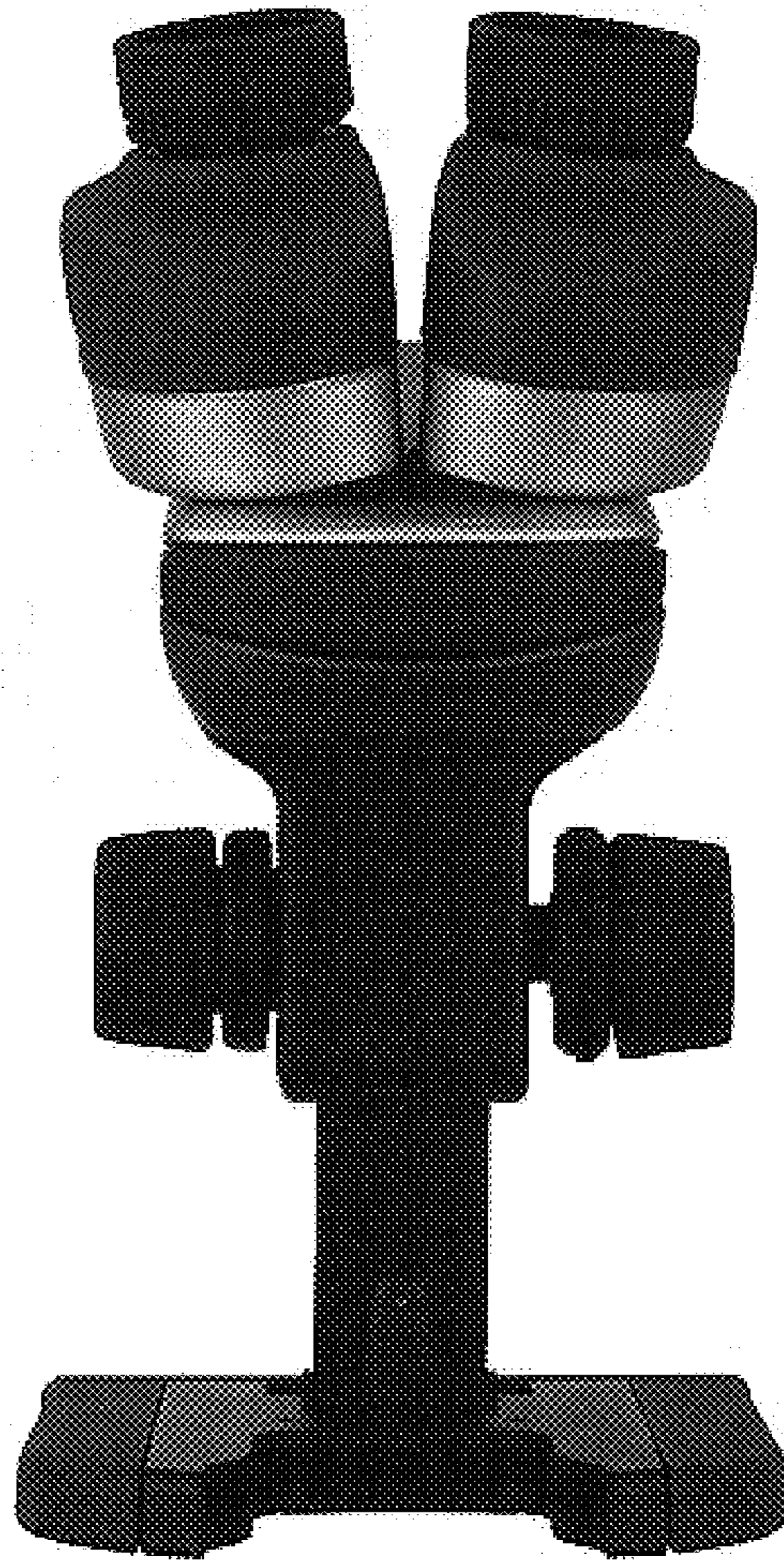


FIG . 2



FIG . 3

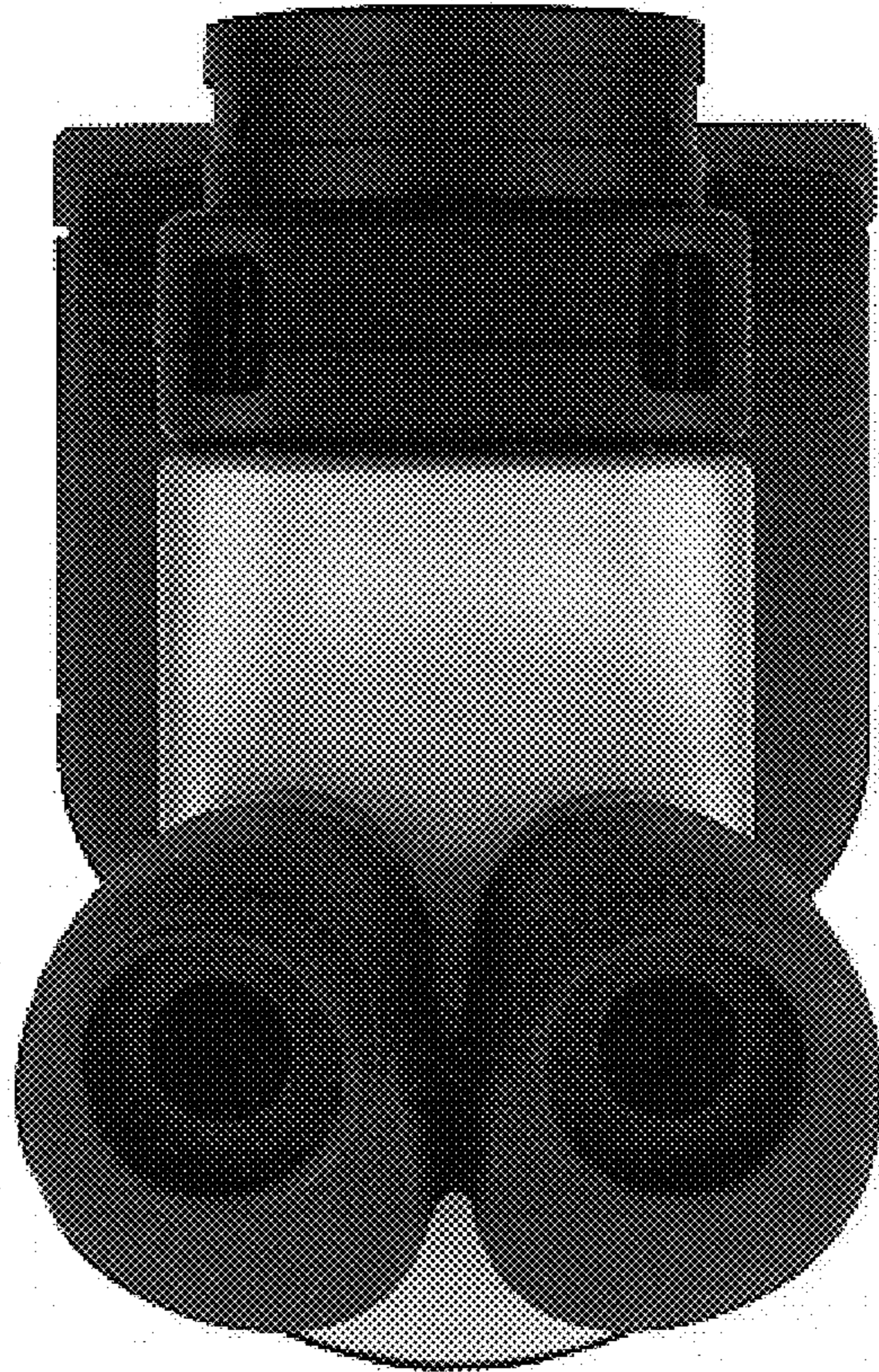


FIG . 4



FIG . 5



FIG . 6



FIG . 7



FIG . 8



FIG . 9



FIG . 10

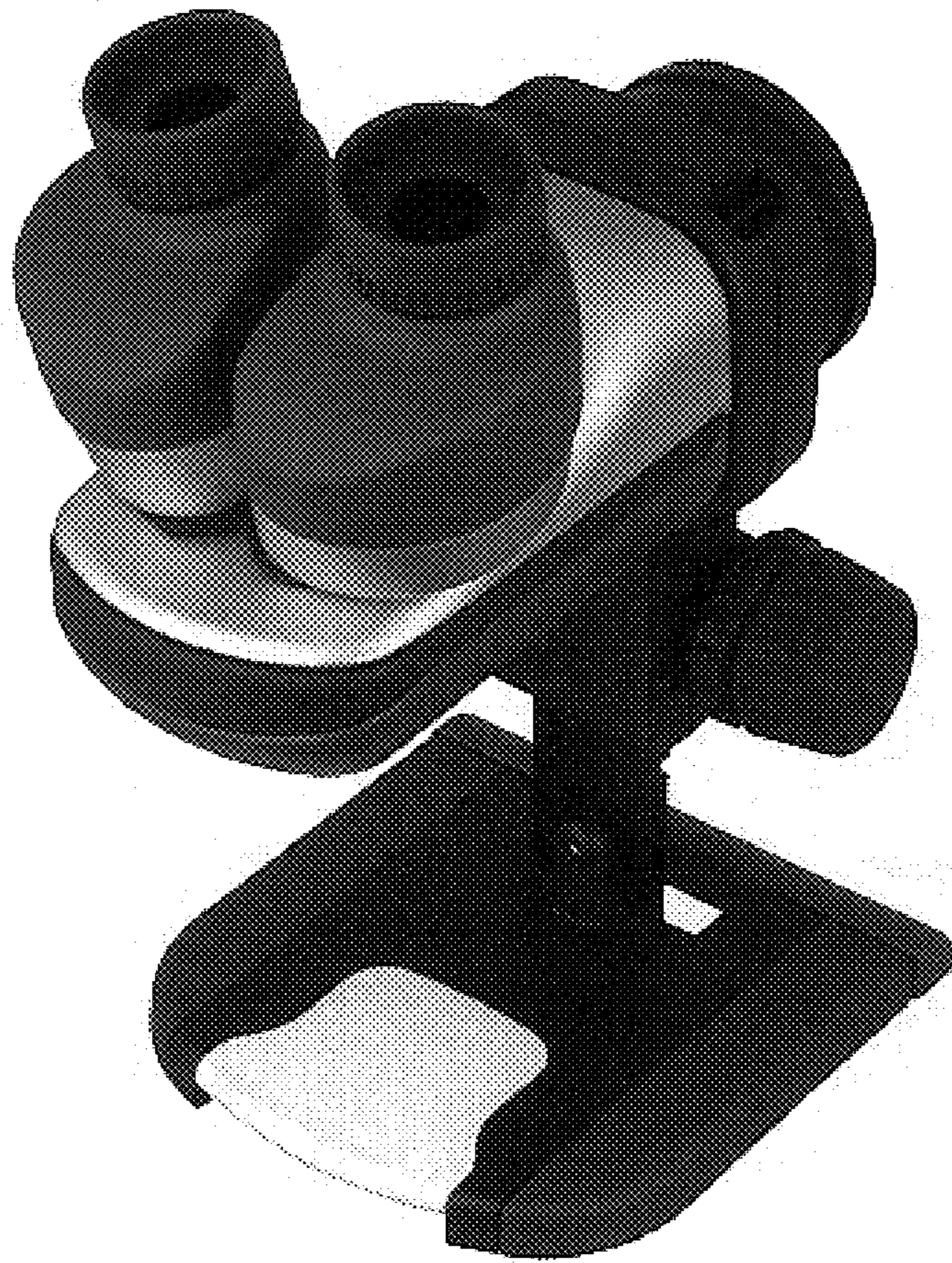


FIG . 11