



US00D558803S

(12) **United States Design Patent**
Gisler et al.

(10) **Patent No.:** **US D558,803 S**

(45) **Date of Patent:** **** Jan. 1, 2008**

(54) **WELDING MACHINE HOUSING**

(75) Inventors: **Lukas Gisler**, Alpnach Dorf (CH);
Adolf Niederberger, Kaigiswil (CH)

(73) Assignee: **LEISTER Process Technologies** (CH)

(**) Term: **14 Years**

(21) Appl. No.: **29/278,988**

(22) Filed: **Apr. 17, 2007**

(51) **LOC (8) Cl.** **15-09**

(52) **U.S. Cl.** **D15/144**

(58) **Field of Classification Search** D15/144-144.2;
219/130, 424; 222/146.5, 152, 156, 189.06,
222/397

See application file for complete search history.

(56) **References Cited**

U.S. PATENT DOCUMENTS

D161,912 S *	2/1951	Fotie	D15/144
D178,843 S *	9/1956	McNutt	D15/144
6,596,972 B1 *	7/2003	Di Novo et al.	219/137.9
D500,332 S *	12/2004	Crisler et al.	D15/144
6,866,077 B2	3/2005	Zurmühle et al.	

* cited by examiner

Primary Examiner—Antoine D. Davis

Assistant Examiner—Patricia Palasik

(74) *Attorney, Agent, or Firm*—Renner, Otto, Boisselle & Sklar, LLP

(57) **CLAIM**

The ornamental design for a welding machine housing, as shown and described.

DESCRIPTION

FIG. 1 is a perspective view of a welding machine housing showing our new design as seen from the upper front right hand side.

FIG. 2 is a perspective view of the housing as seen from the upper rear right hand side.

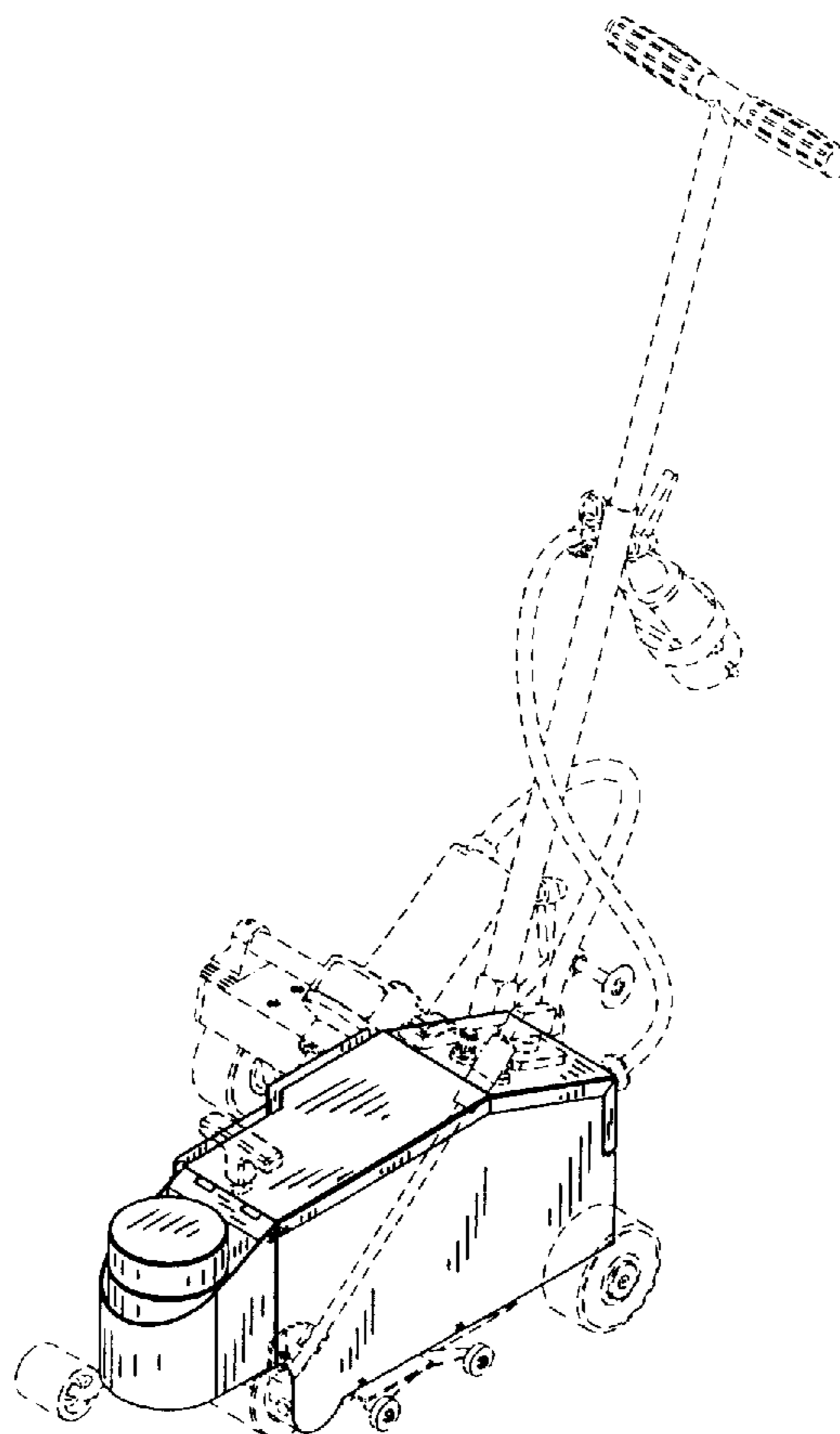
FIG. 3 is a perspective view of the housing as seen from the upper front left hand side.

FIG. 4 is a top plan view of FIG. 1; and,

FIG. 5 is a perspective view of the housing as seen in FIG. 3.

The broken line showings of other portions of the welding machine in FIGS. 1-4 are for illustrative purposes only and form no part of the claimed design.

1 Claim, 2 Drawing Sheets



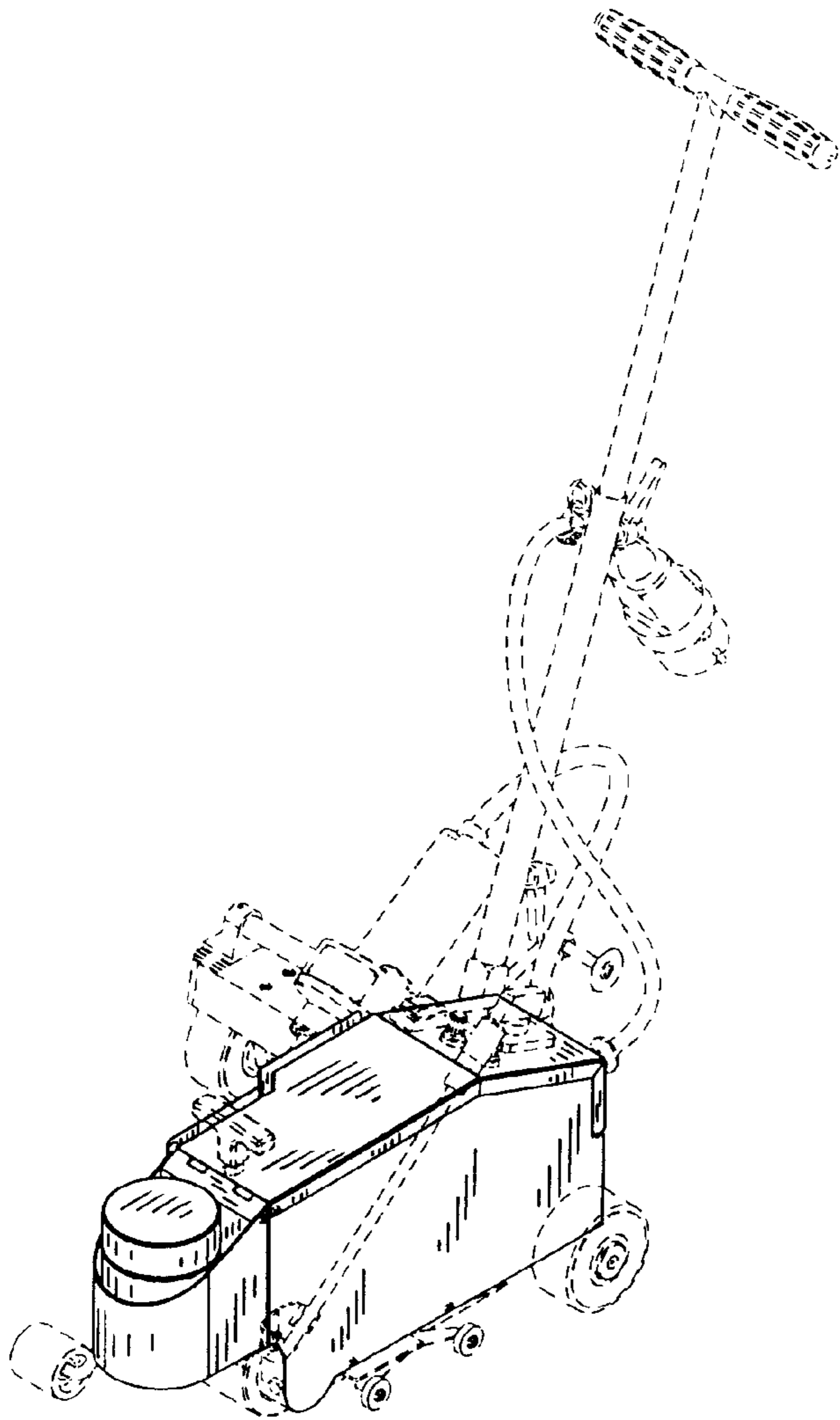


FIG. 1

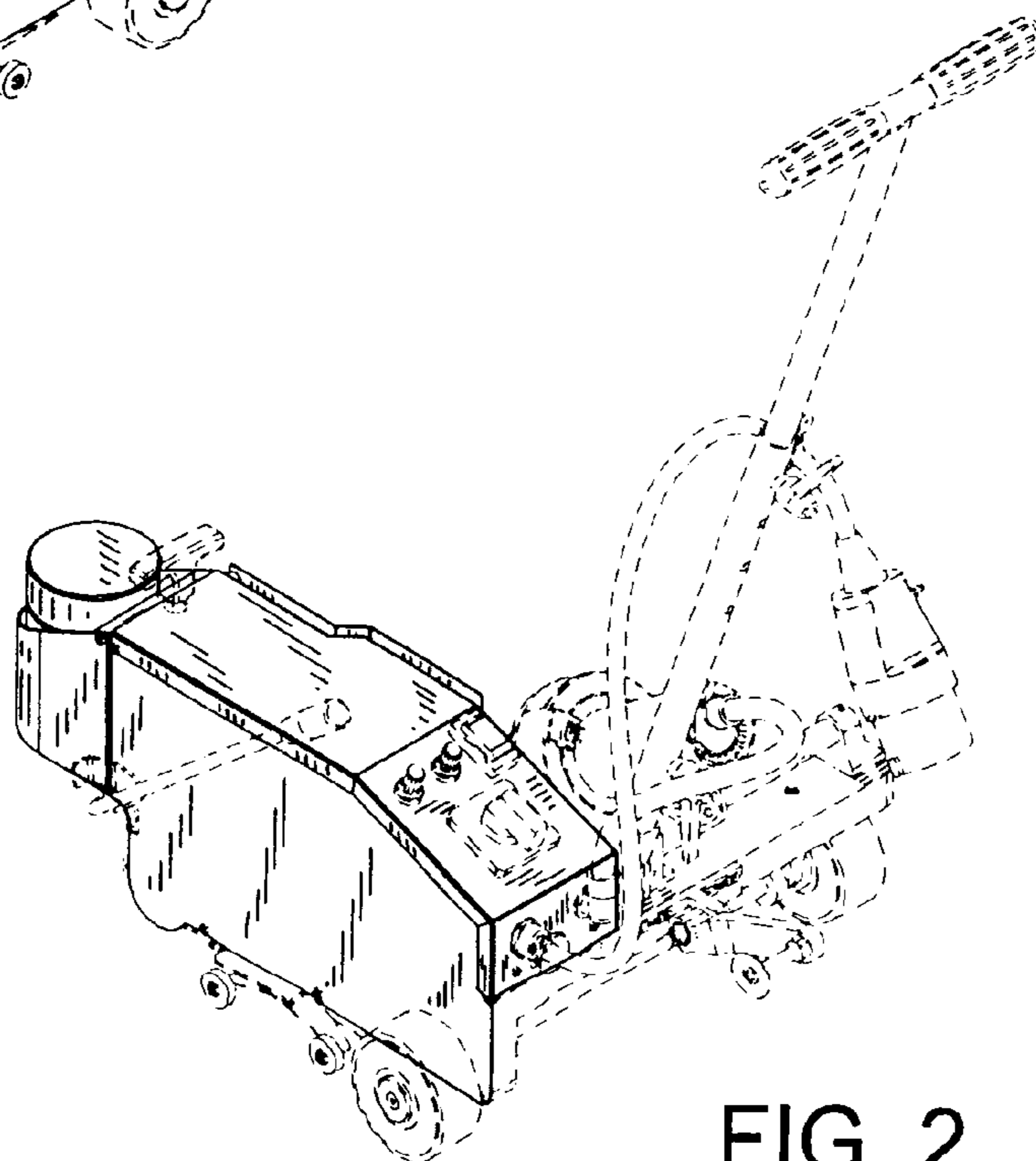


FIG. 2

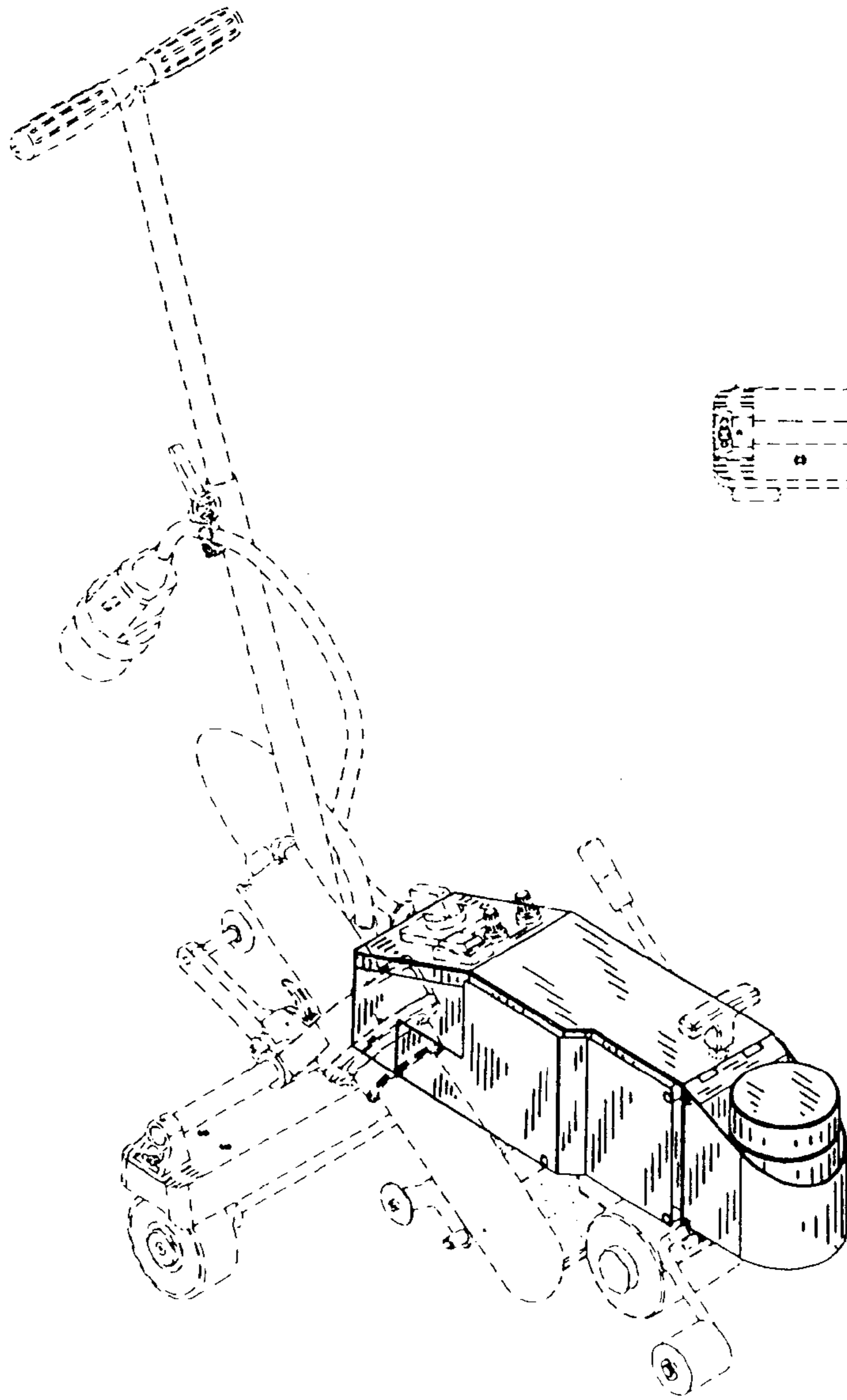


FIG. 3

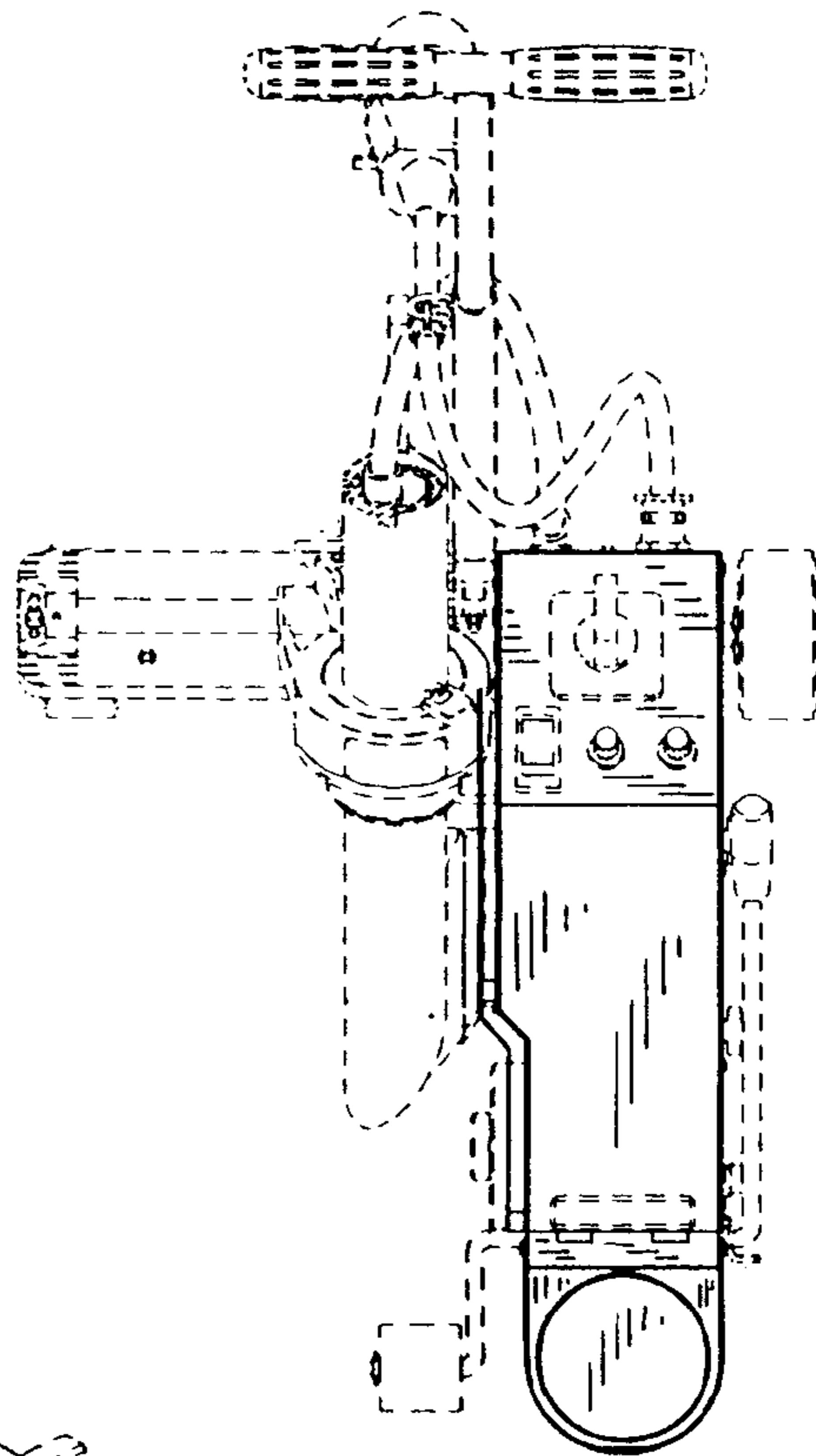


FIG. 4

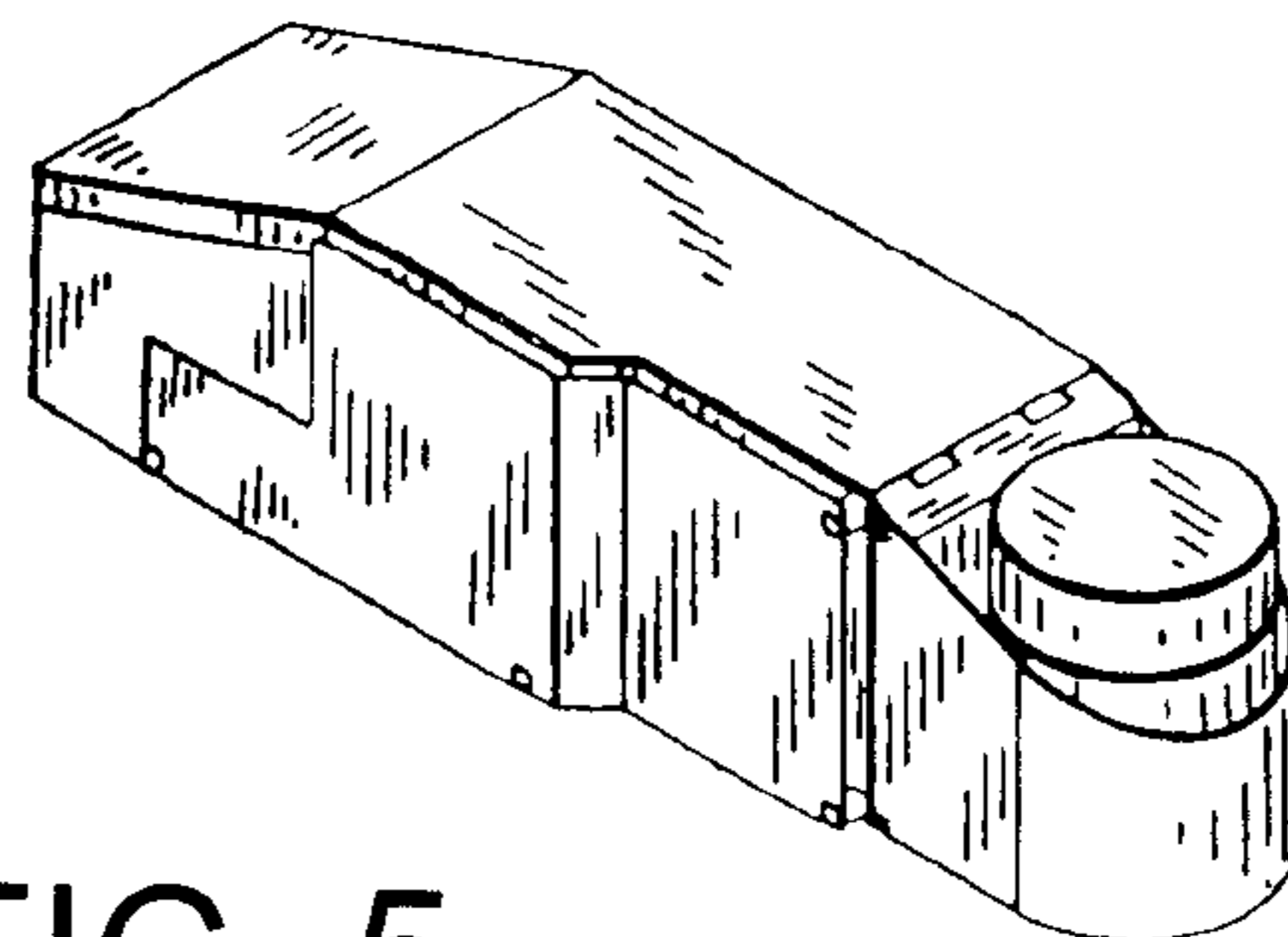


FIG. 5